



US00D448965B1

(12) **United States Design Patent**
Jang-Won

(10) **Patent No.:** **US D448,965 S**

(45) **Date of Patent:** **** Oct. 9, 2001**

(54) **COOKING POT**

D. 439,104 * 3/2001 Thakur D7/360

(76) Inventor: **Yoon Jang-Won**, Daenan Bldg, 5f,
100-1, Saijik-1 Dong Dongrae-Ku,
Pusan (KR)

* cited by examiner

Primary Examiner—Caron D. Veynar

(74) *Attorney, Agent, or Firm*—Fulbright & Jaworski

(**) Term: **14 Years**

(57) **CLAIM**

(21) Appl. No.: **29/128,358**

The ornamental design for a cooking pot, as shown and described.

(22) Filed: **Aug. 23, 2000**

(30) **Foreign Application Priority Data**

Feb. 24, 2000 (DE) 400 01 892

(51) **LOC (7) Cl.** **07-02**

(52) **U.S. Cl.** **D7/360; D7/358**

(58) **Field of Search** **D7/354-361; 99/324;**
220/573.1, 573.2, 752

DESCRIPTION

FIG. 1 is a perspective view of the cooking pot.

FIG. 2 is side view from the back side of the cooking pot in FIG. 1.

FIG. 3 is a side view from the front side of the cooking pot in FIG. 1.

FIG. 4 is a view from the left side of the cooking pot in FIG. 1.

FIG. 5 is a view from the right side of the cooking pot in FIG. 1.

FIG. 6 is a top view of the cooking pot of FIG. 1; and,

FIG. 7 is a bottom view of the cooking pot of FIG. 1.

(56) **References Cited**

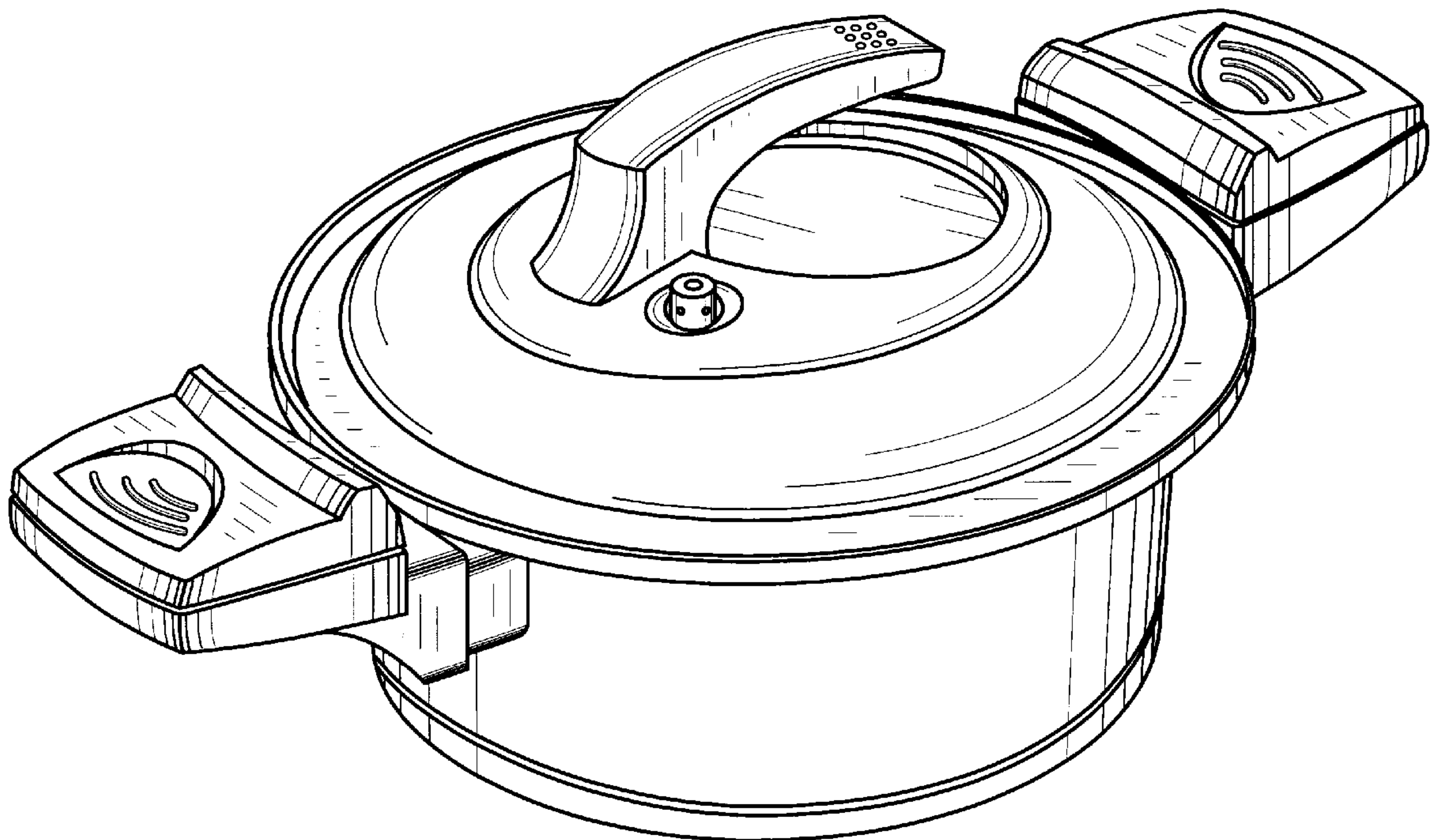
U.S. PATENT DOCUMENTS

D. 148,442 * 1/1948 Richeson et al. D7/358

D. 218,564 * 9/1970 Stevens D7/360

D. 413,483 * 9/1999 Roussard D7/358

1 Claim, 5 Drawing Sheets



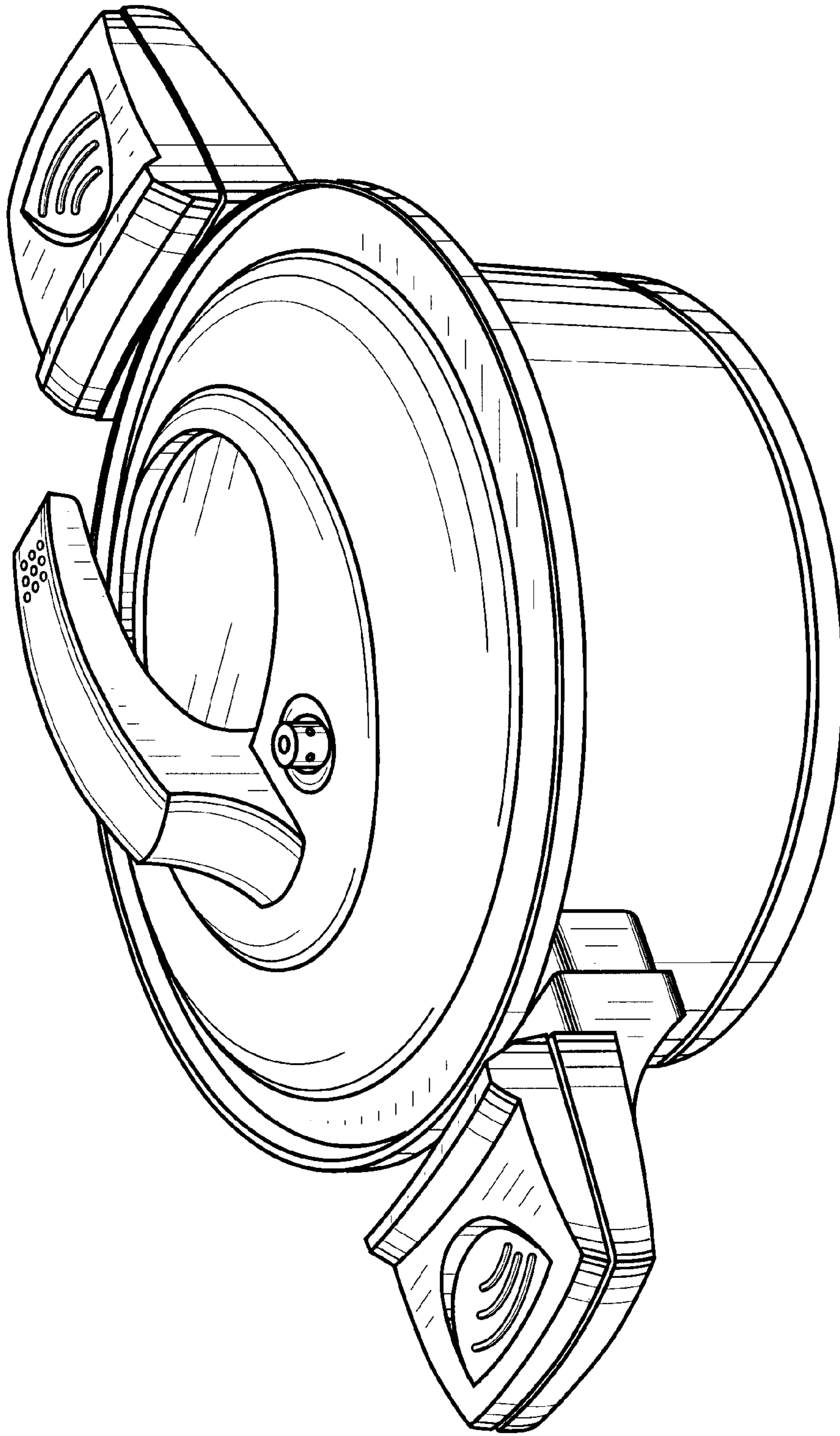


FIG. 1

FIG. 2

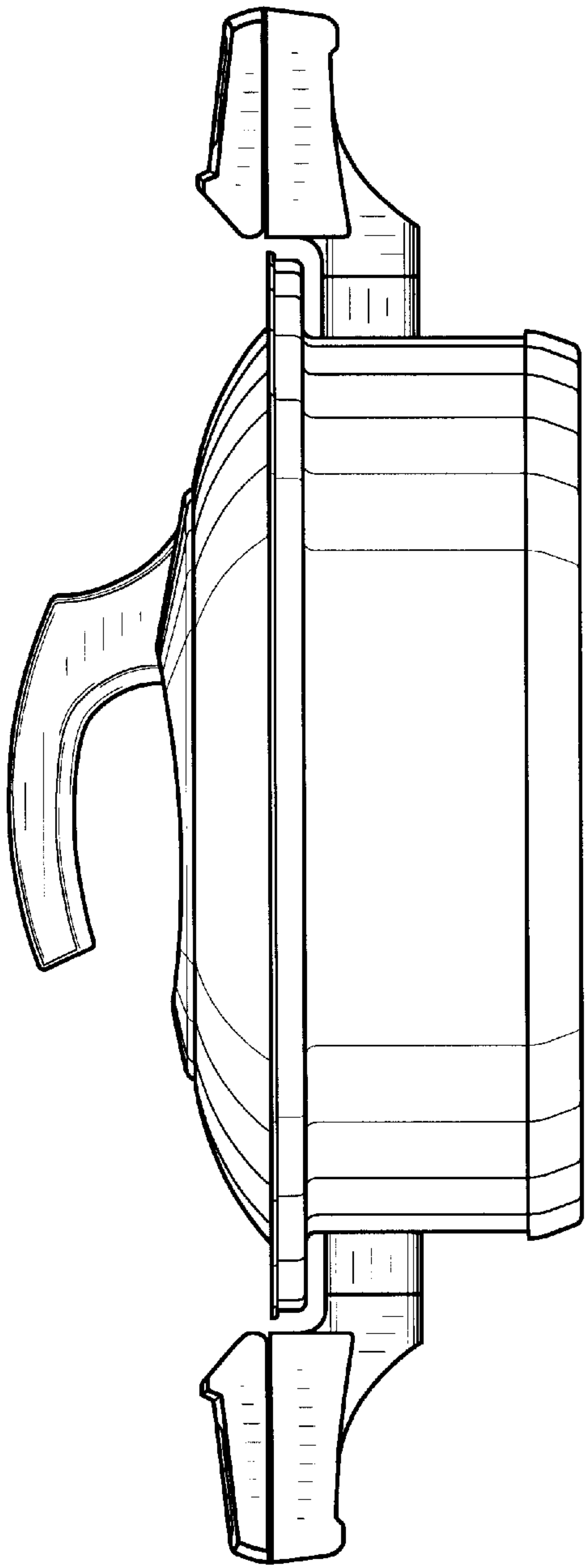


FIG. 3

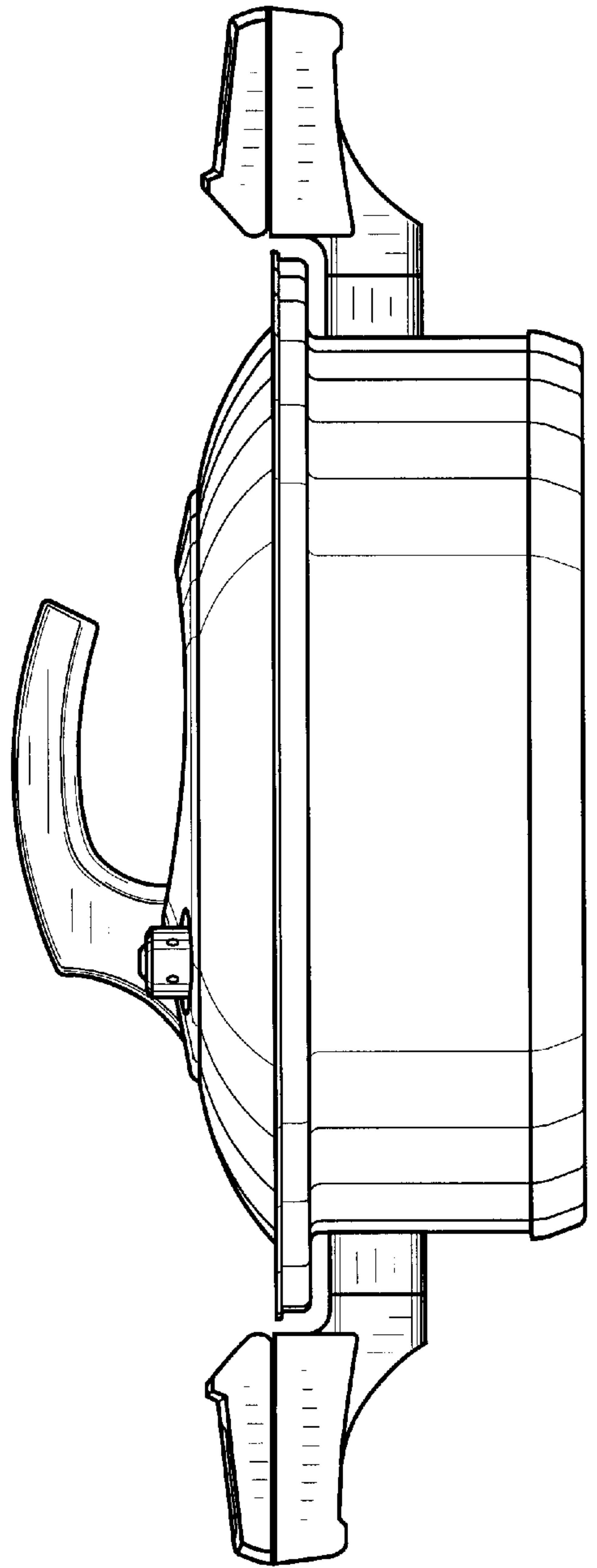


FIG. 4

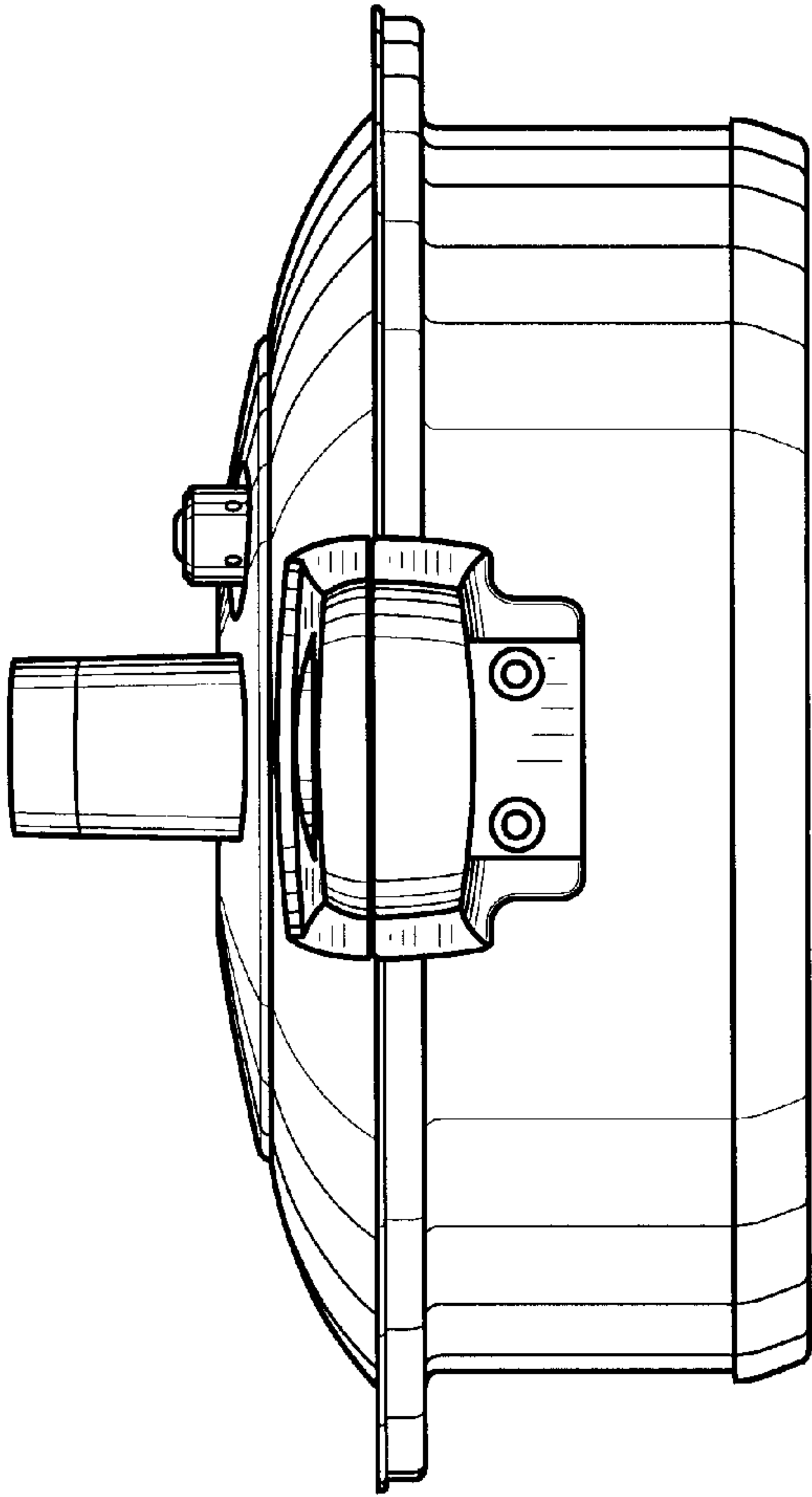
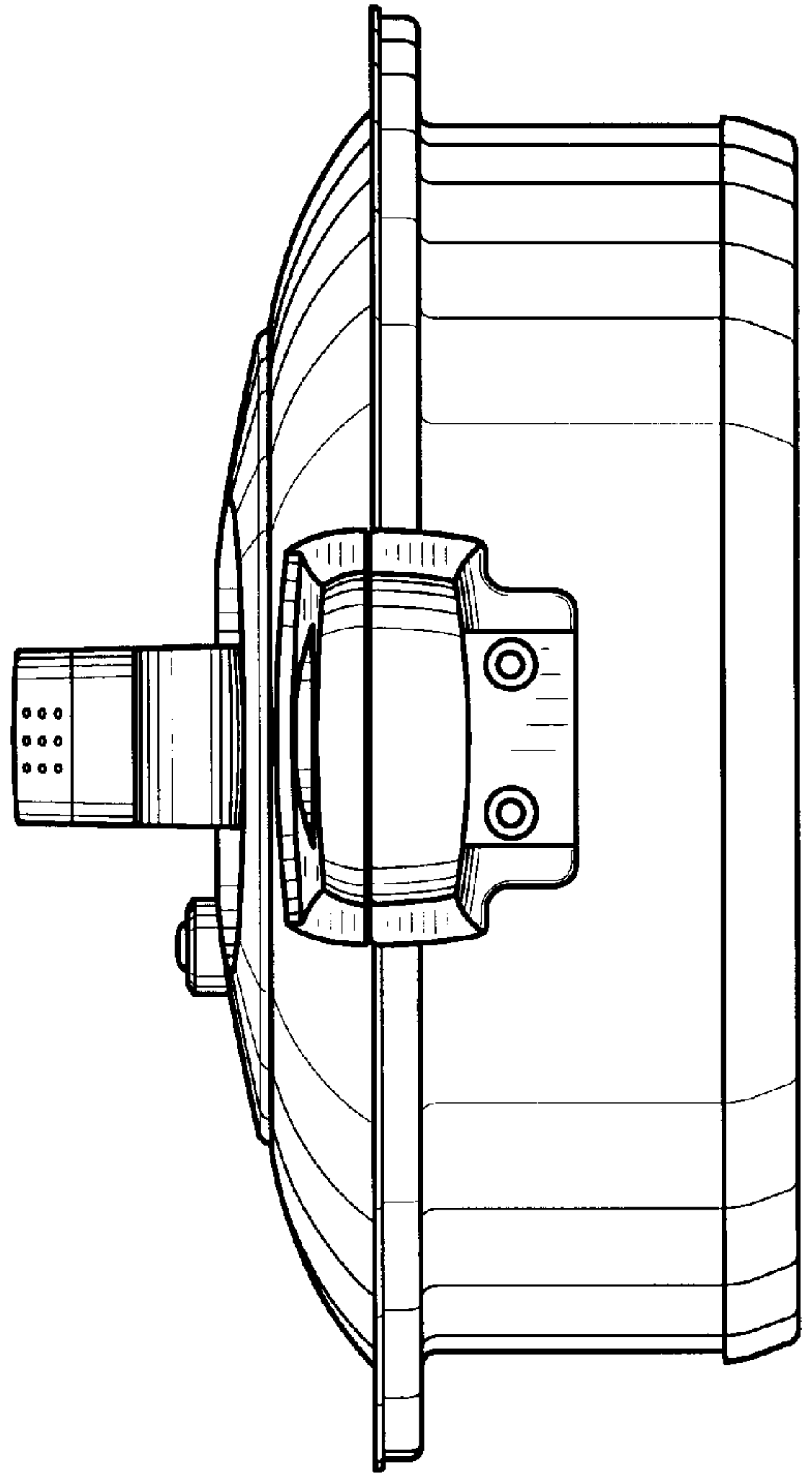


FIG. 5



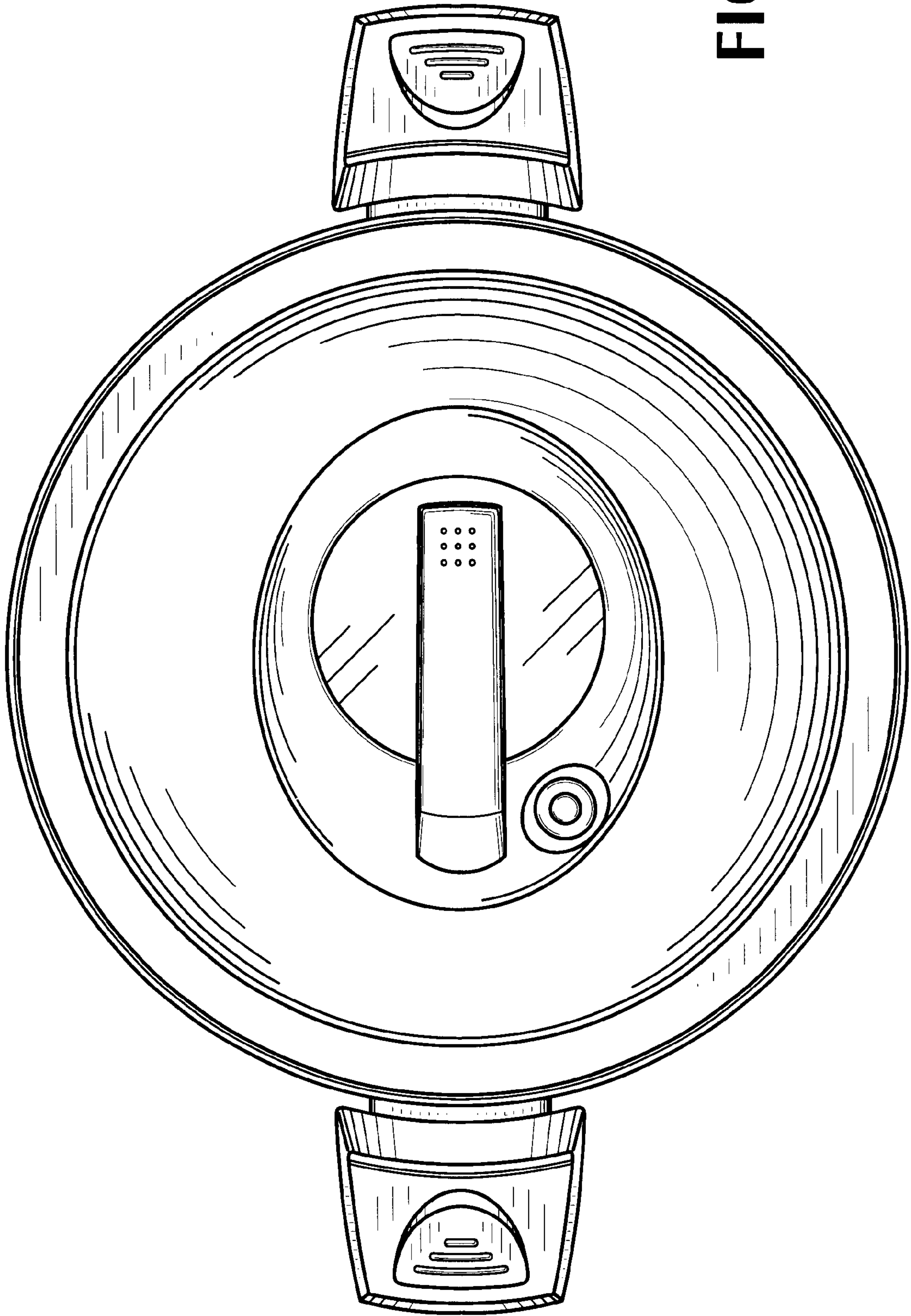


FIG. 6

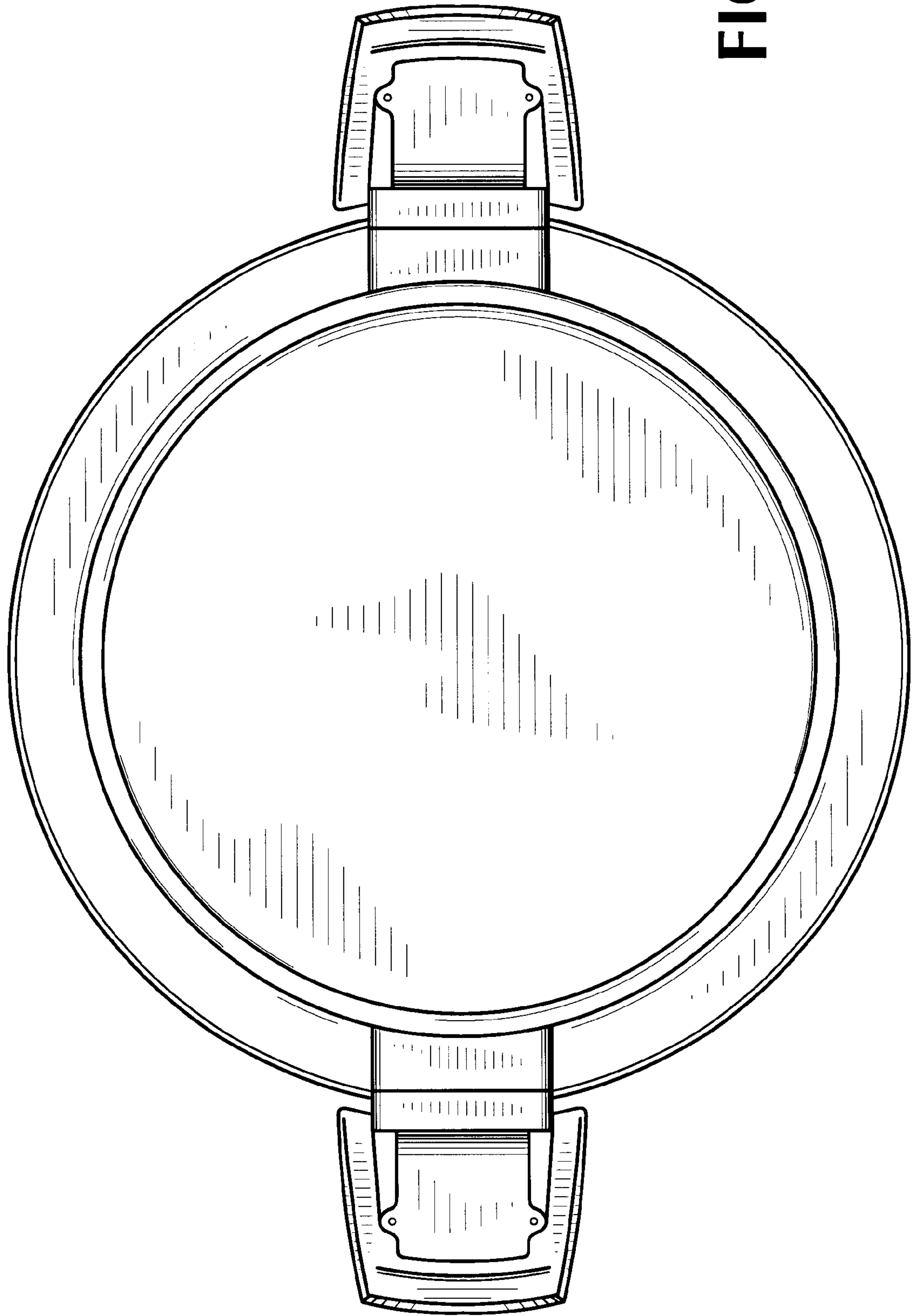


FIG. 7