



US00D448963B1

(12) **United States Design Patent**
Shim

(10) **Patent No.:** **US D448,963 S**

(45) **Date of Patent:** **** Oct. 9, 2001**

(54) **KETTLE**

D. 436,788 * 1/2001 Strum et al. D7/302
5,490,616 * 2/1996 Stowell et al. 222/472

(75) Inventor: **Jae Jung Shim**, Incheon (KR)

* cited by examiner

(73) Assignee: **Hwa Sung Stainless Steel Industrial Company**, Incheon (KR)

Primary Examiner—M. N. Pandozzi

(74) *Attorney, Agent, or Firm*—Staas & Halsey LLP

(**) Term: **14 Years**

(57) **CLAIM**

(21) Appl. No.: **29/137,633**

The ornamental design for kettle, as shown and described.

(22) Filed: **Feb. 27, 2001**

DESCRIPTION

(30) **Foreign Application Priority Data**

Nov. 14, 2000 (KR) 2000-28998

FIG. 1 is a side top perspective view of kettle showing our new design;

(51) **LOC (7) Cl.** **07-01**

FIG. 2 is a front view thereof;

(52) **U.S. Cl.** **D7/322; D7/312; D7/321**

FIG. 3 is a rear view thereof;

(58) **Field of Search** D7/312, 313, 314,

FIG. 4 is a right view thereof;

D7/316, 317, 318, 320, 321, 322, 302;
222/472; 141/79

FIG. 5 is a left view thereof;

FIG. 6 is a top view thereof;

FIG. 7 is a bottom view thereof; and,

FIG. 8 is a supplementary left view thereof which shows that the spout is opened by gripping the handle of the kettle.

The broken line showing of a spout and a grip of the handle in FIG. 8 is for illustrative purpose only and forms no part of the claimed design.

(56) **References Cited**

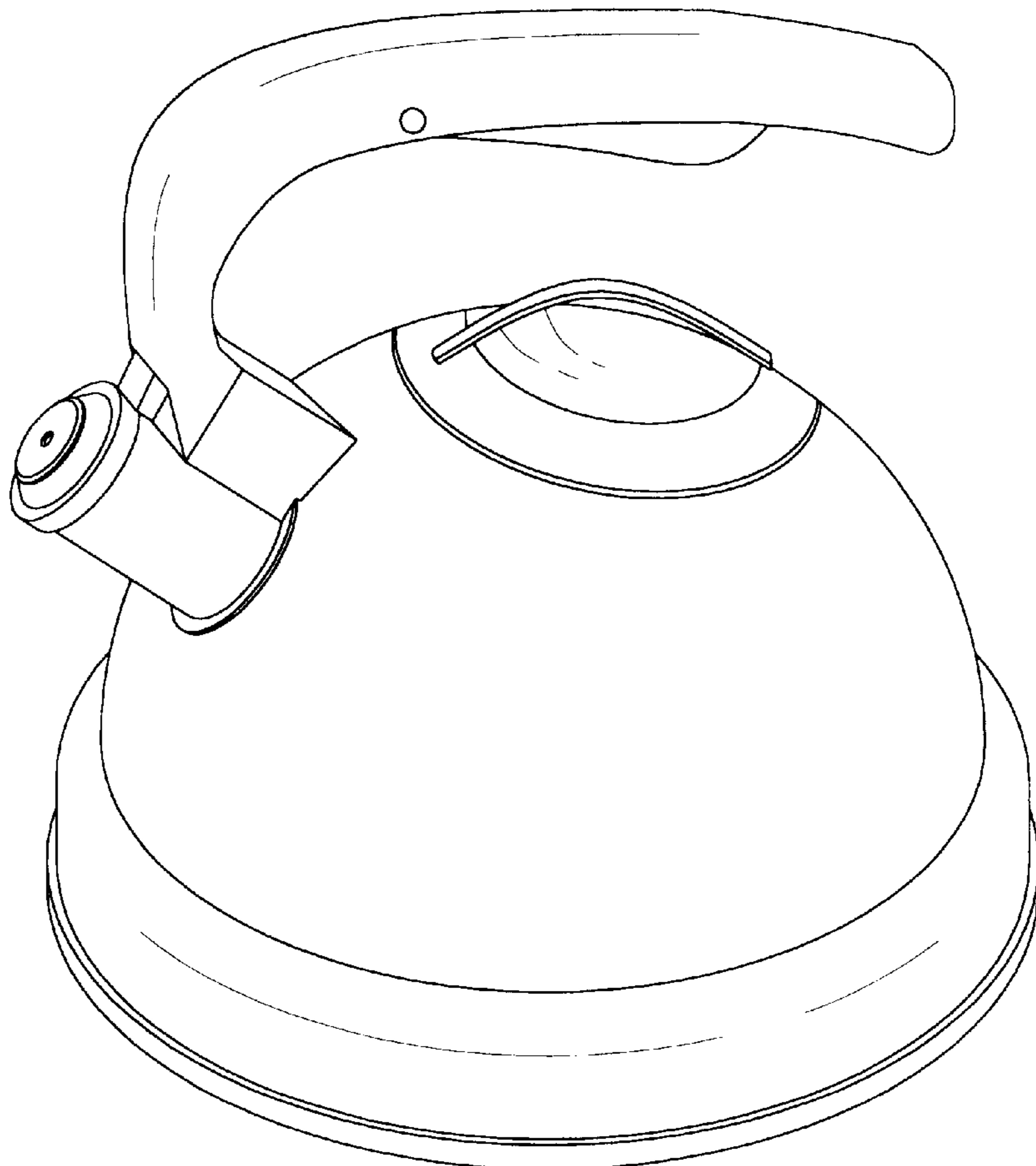
U.S. PATENT DOCUMENTS

D. 381,239 * 7/1997 Chen D7/322

D. 396,988 * 8/1998 Lien D7/322

D. 435,997 * 1/2001 Leo et al. D7/322

1 Claim, 8 Drawing Sheets



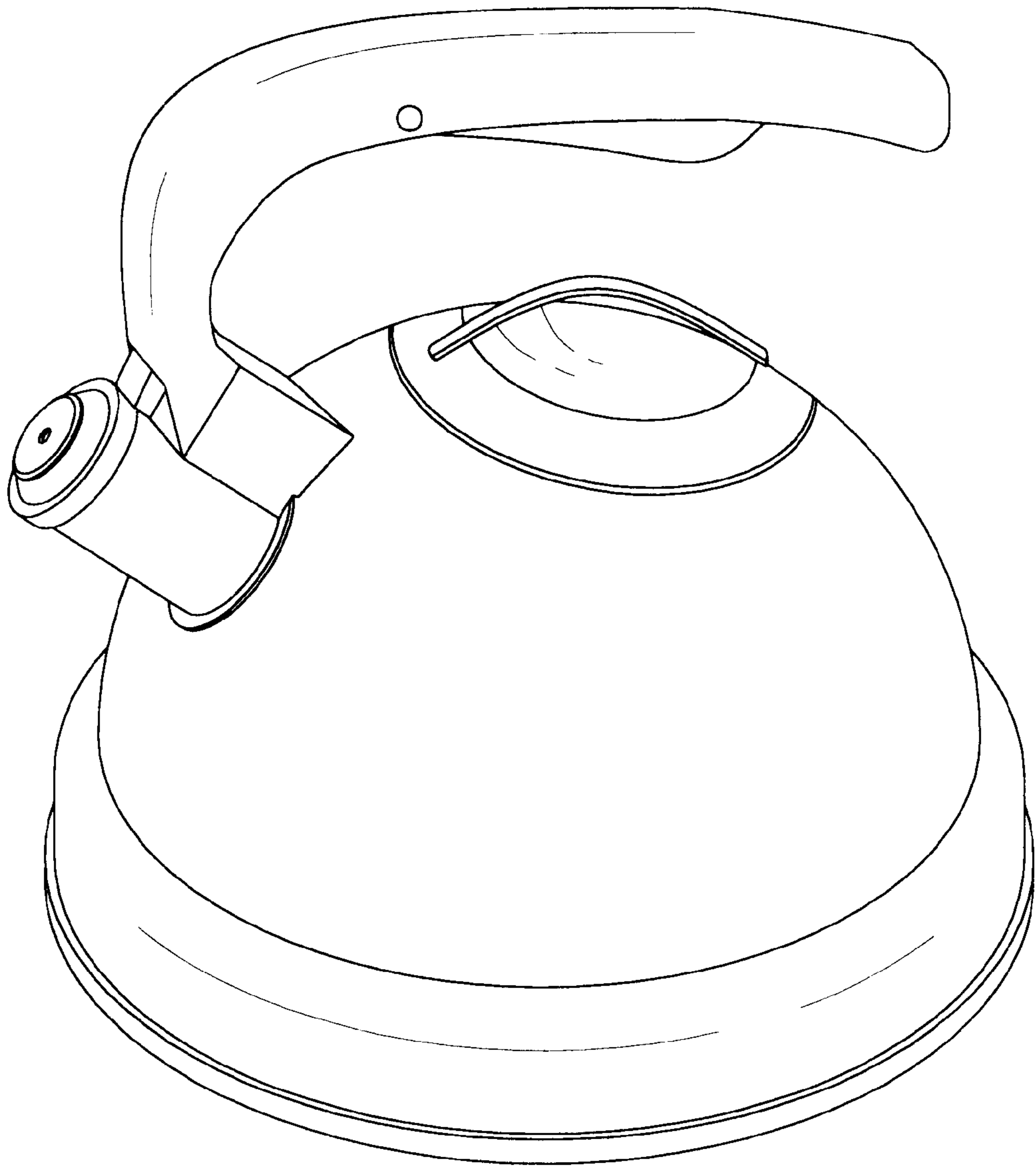


FIG. 1

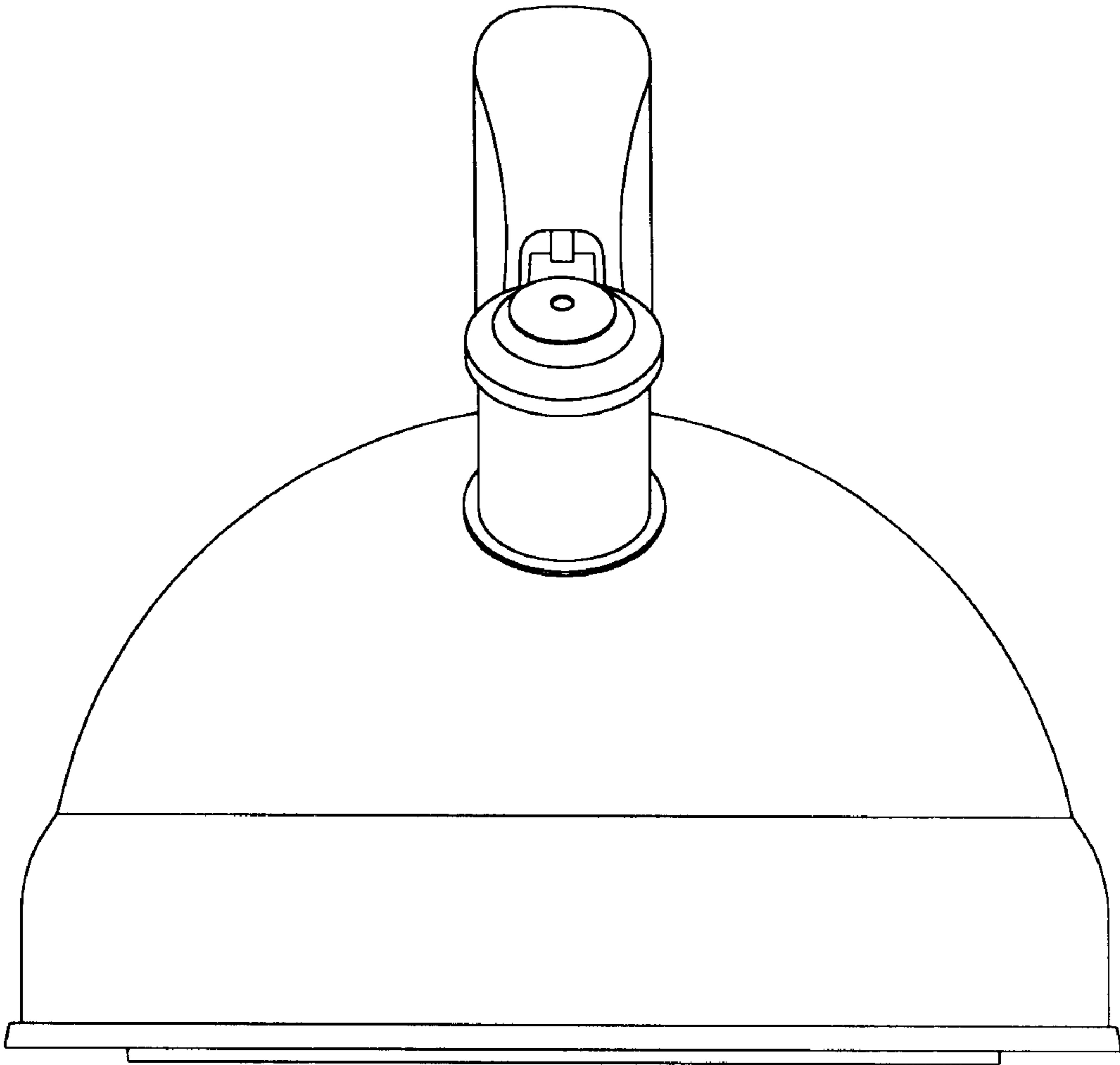


FIG. 2

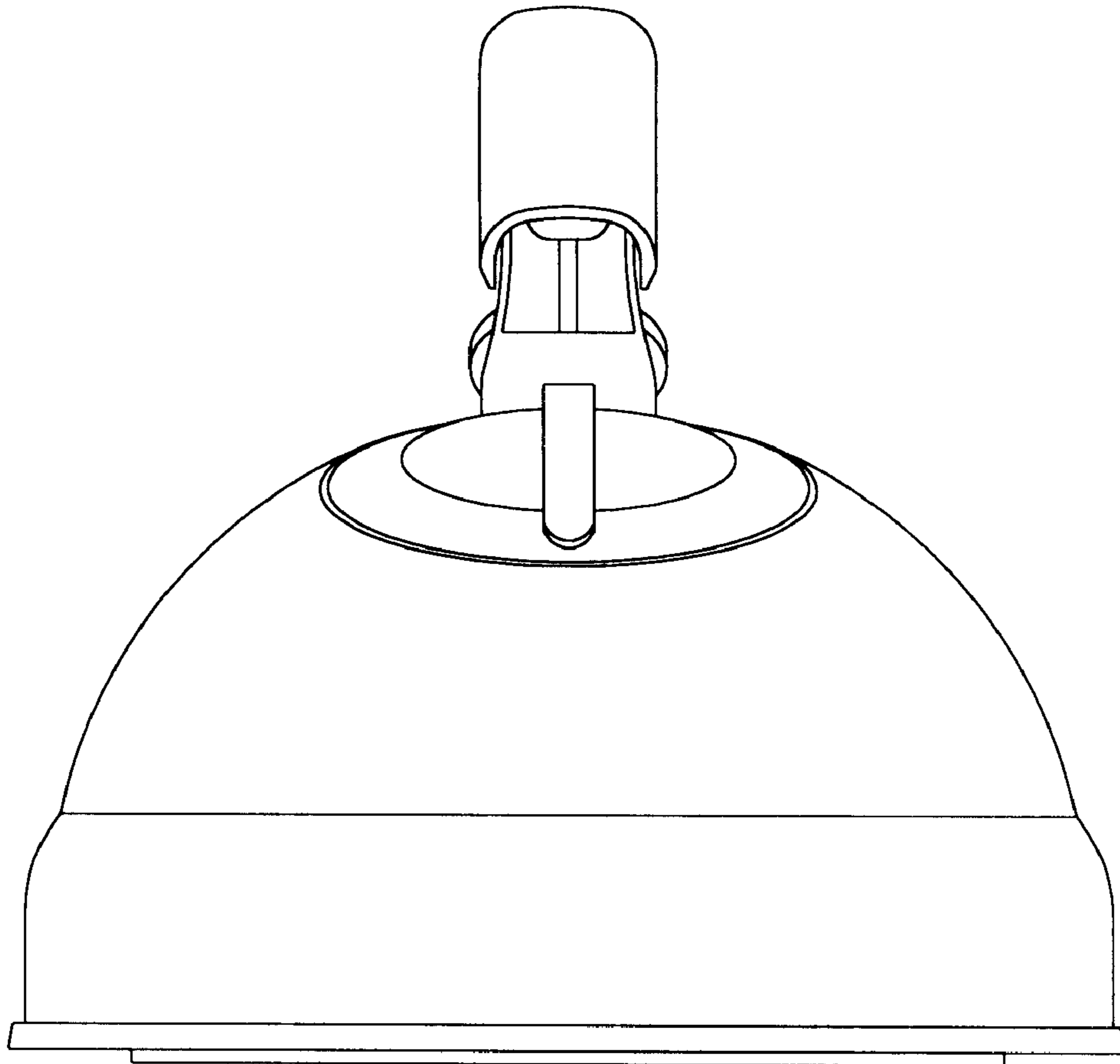


FIG. 3

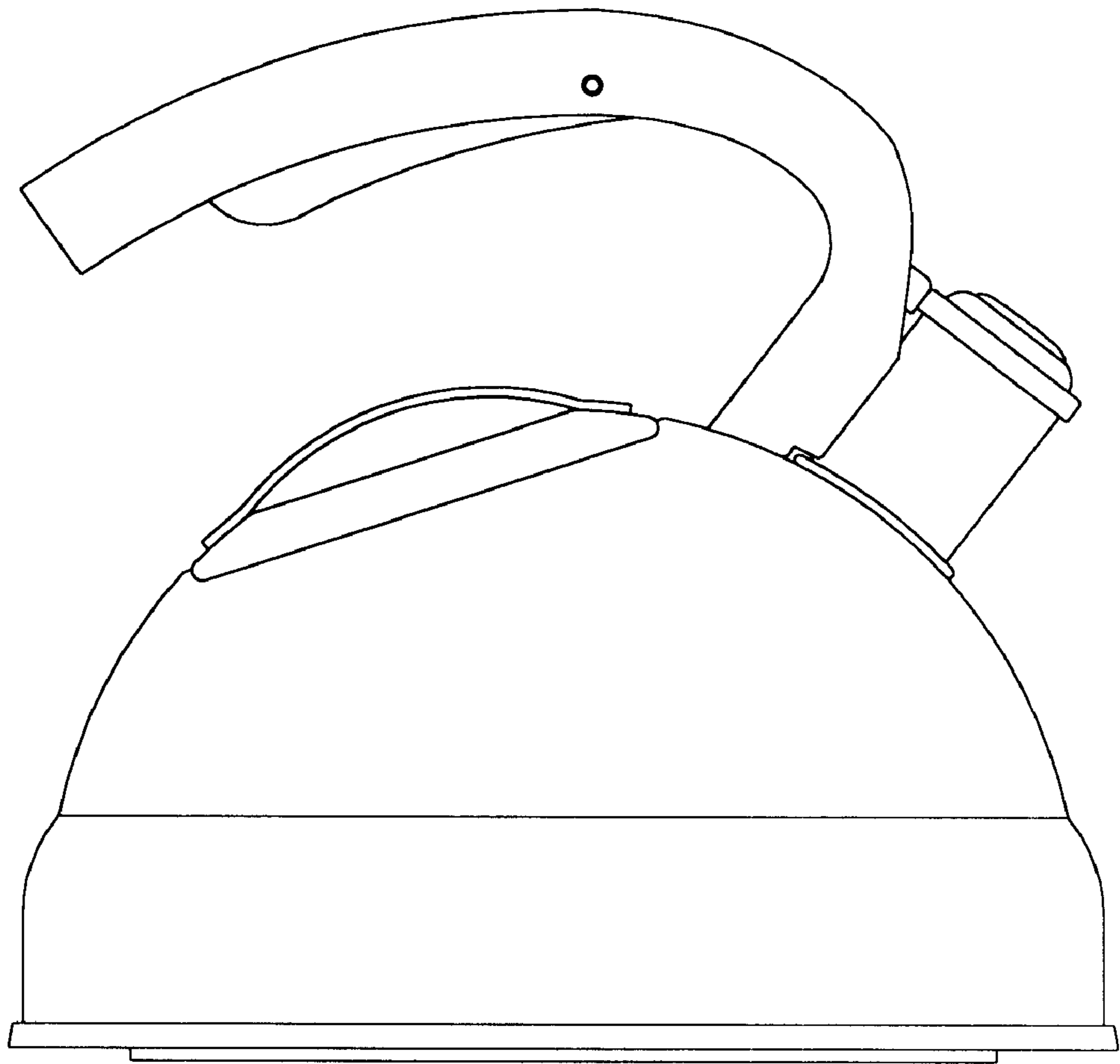


FIG. 4

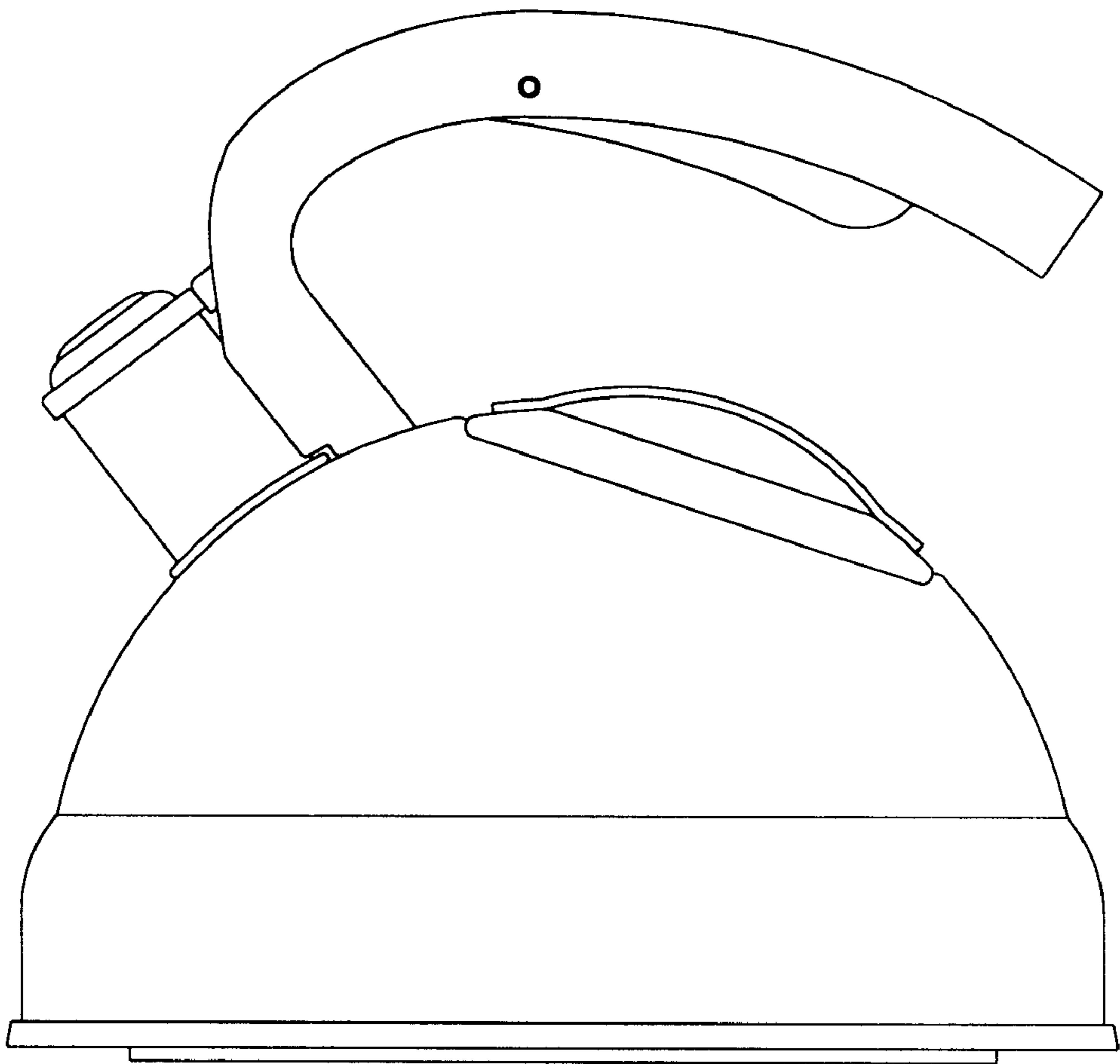


FIG. 5

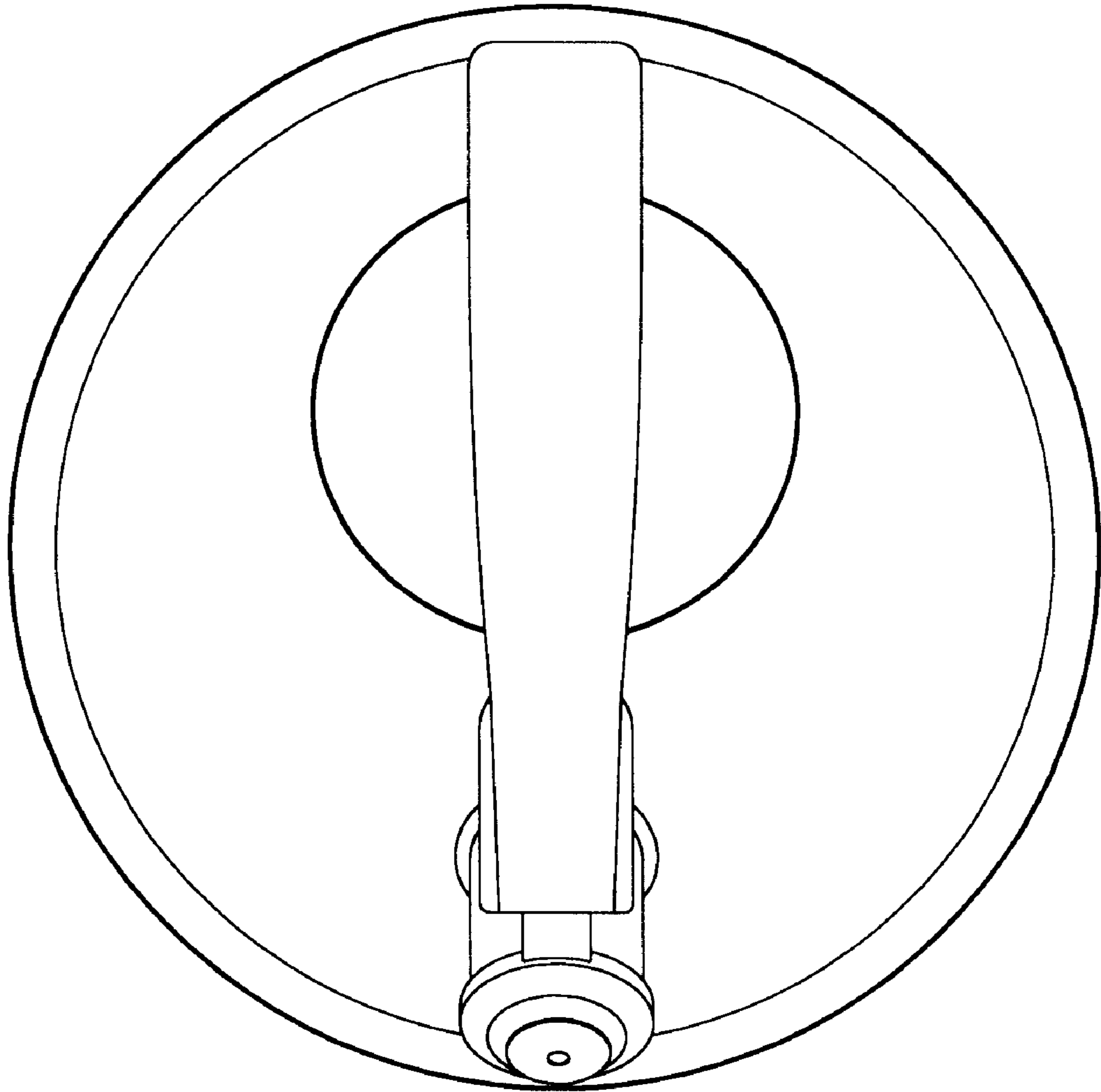


FIG. 6

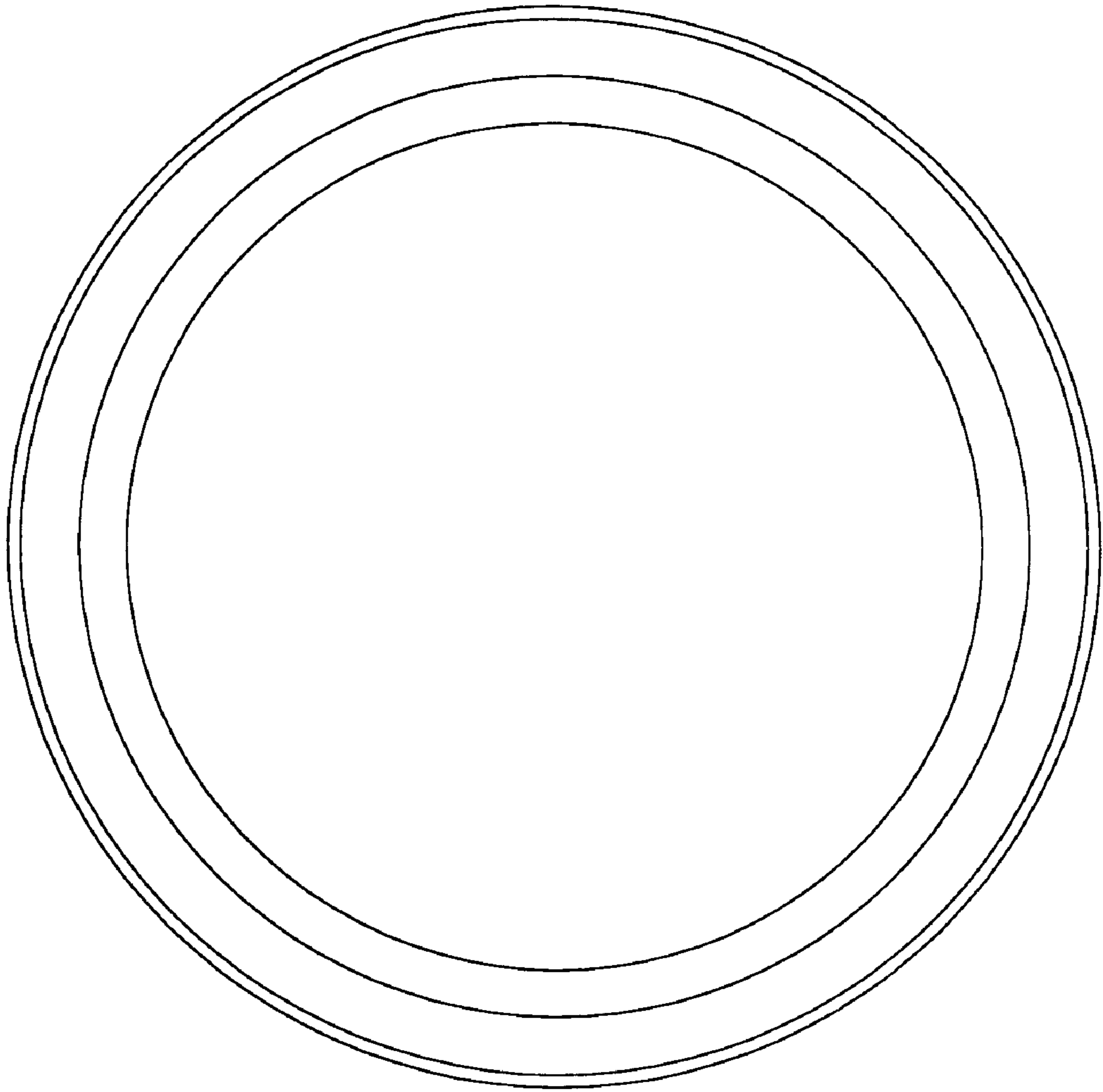


FIG. 7

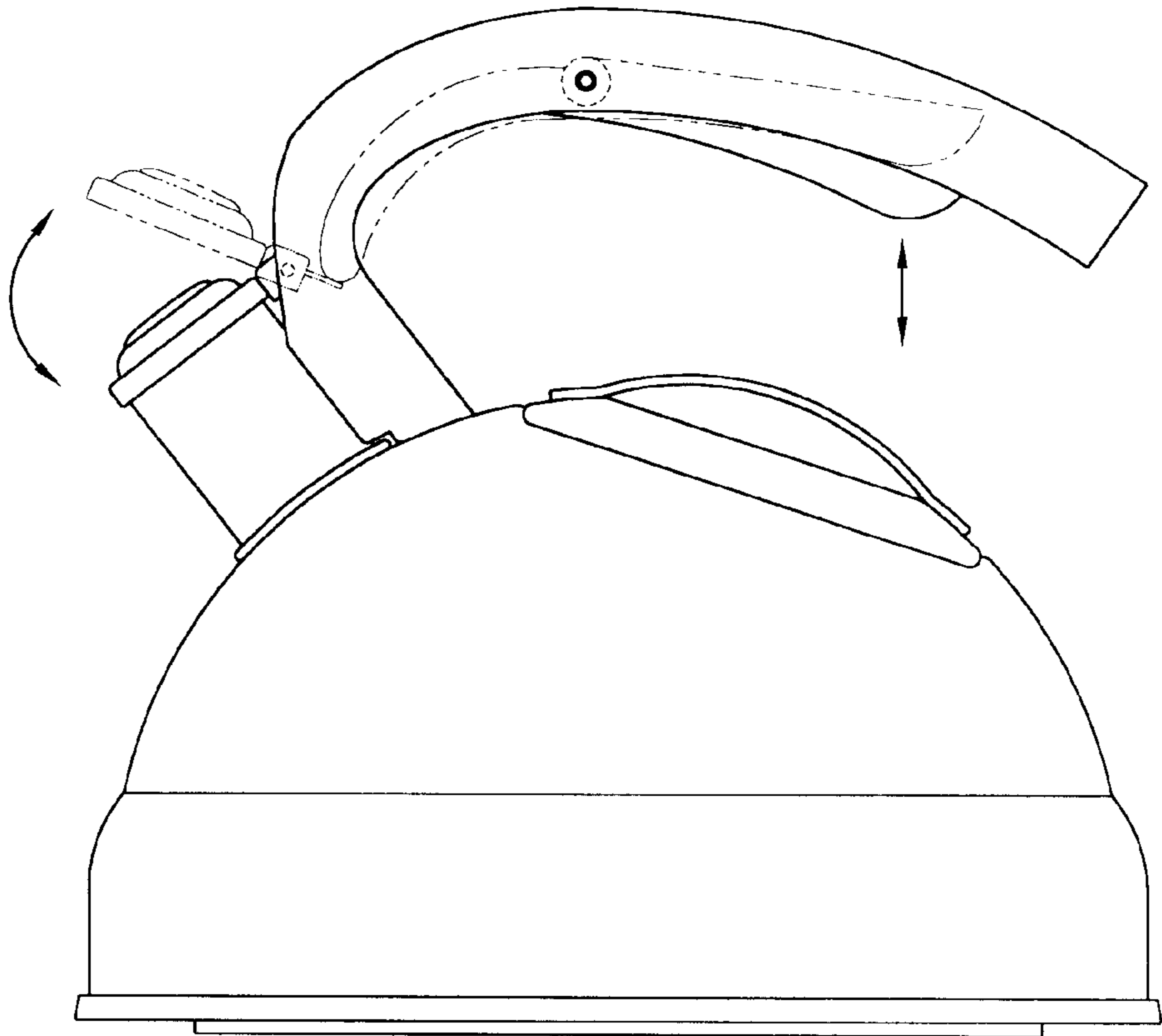


FIG. 8