



US00D448959B1

(12) **United States Design Patent**
Campos

(10) **Patent No.:** **US D448,959 S**

(45) **Date of Patent:** **** Oct. 9, 2001**

(54) **CORNER SHELF**

D. 364,527 * 11/1995 Moon D6/562
D. 409,425 * 5/1999 Waluda D6/562

(76) **Inventor:** **Fernando Campos**, 12548 Lime Pl.,
Chino, CA (US) 91710

* cited by examiner

Primary Examiner—Dominic Simone
(74) *Attorney, Agent, or Firm*—Goldstein Law Offices P.C.

(**) **Term:** **14 Years**

(57) **CLAIM**

(21) **Appl. No.:** **29/133,959**

The ornamental design for a corner shelf, as shown and described.

(22) **Filed:** **Dec. 13, 2000**

DESCRIPTION

(51) **LOC (7) Cl.** **06-04**

FIG. 1 is a perspective view a corner shelf.

(52) **U.S. Cl.** **D6/562**

FIG. 2 is a front elevational view thereof.

(58) **Field of Search** D6/396, 449, 562,
D6/567, 574

FIG. 3 is a rear elevational view thereof.

FIG. 4 is a left side elevational view thereof, the right side elevational view being a mirror image of the left side view.

(56) **References Cited**

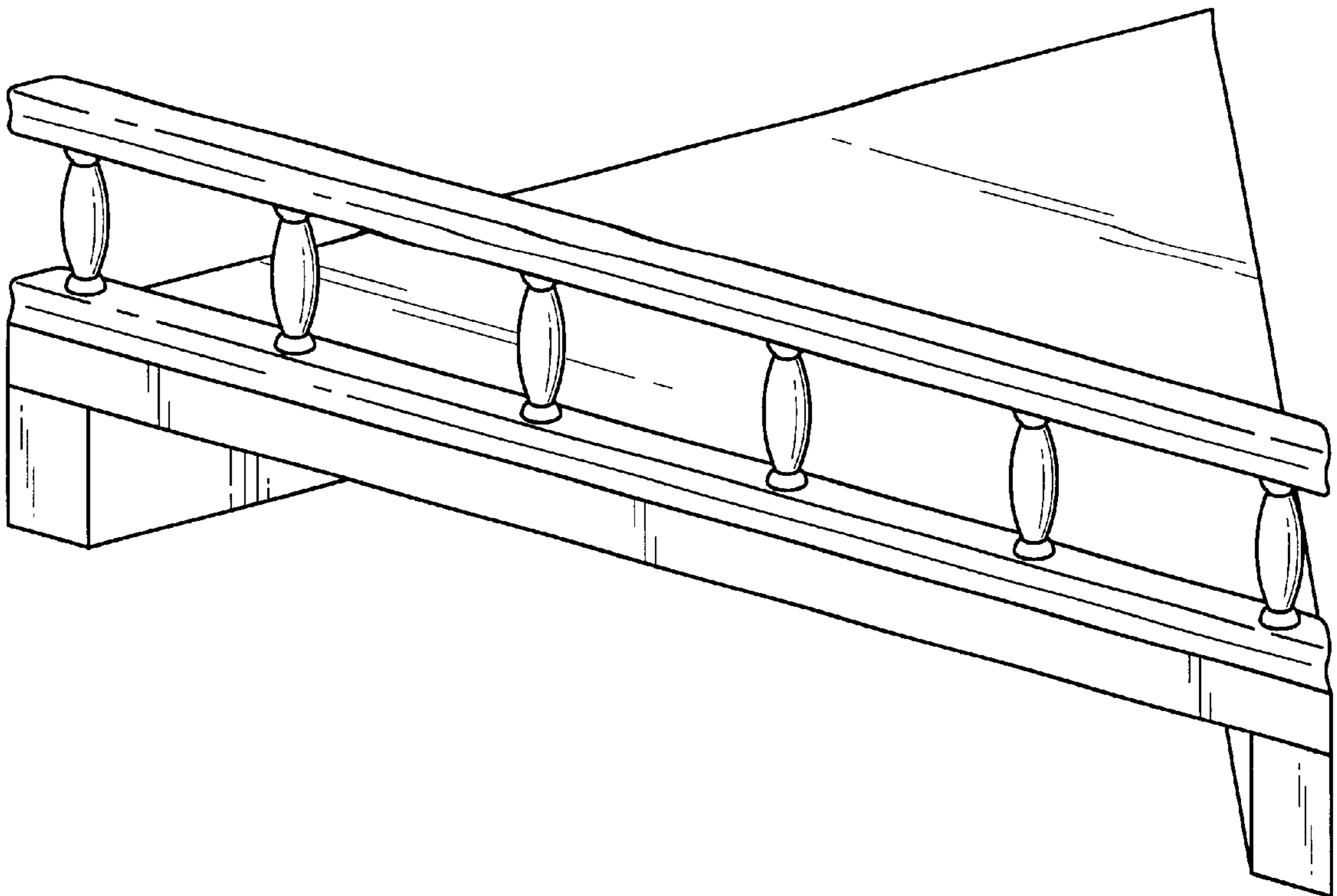
FIG. 5 is a top plan view of the corner shelf; and,

FIG. 6 is a bottom plan view thereof.

U.S. PATENT DOCUMENTS

D. 99,397 * 4/1936 Jewett D6/562

1 Claim, 3 Drawing Sheets



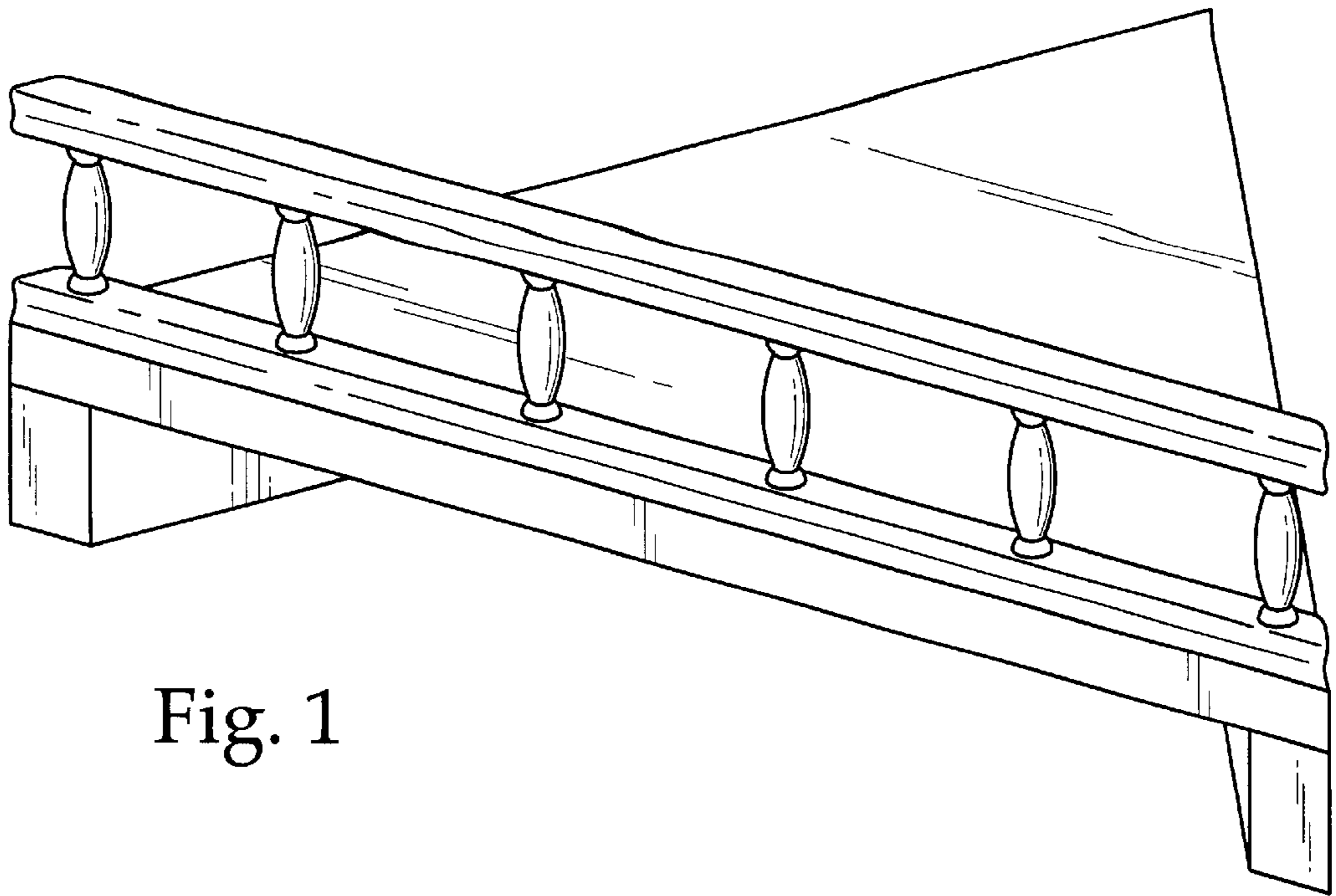


Fig. 1

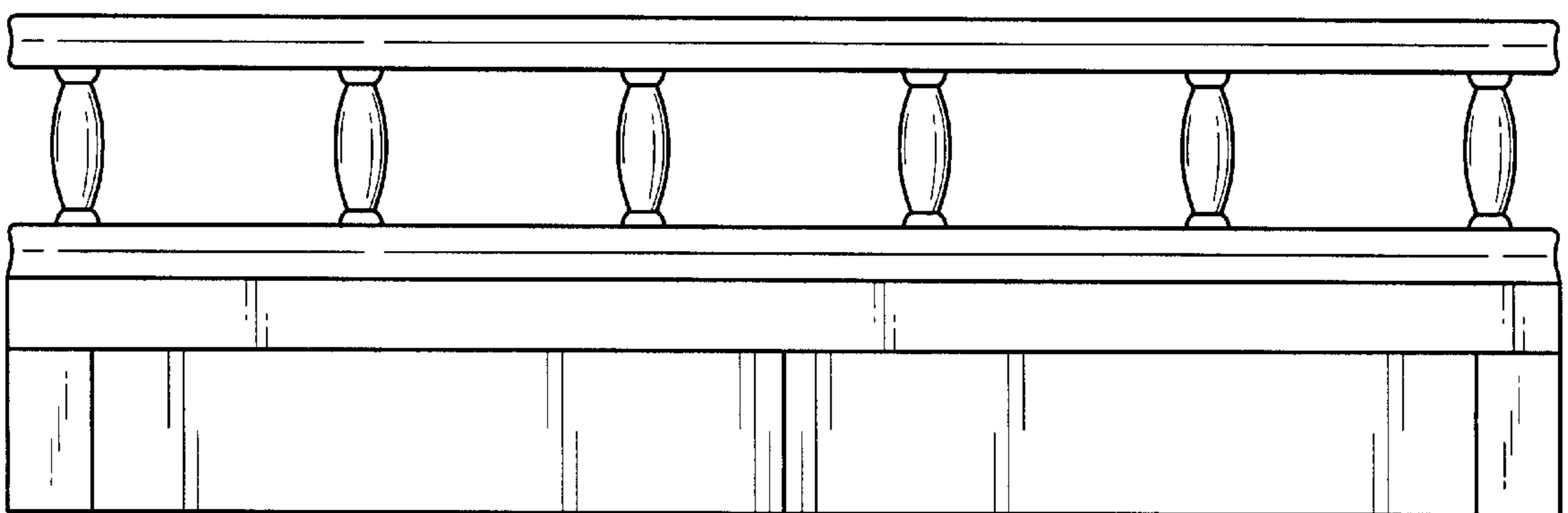


Fig. 2

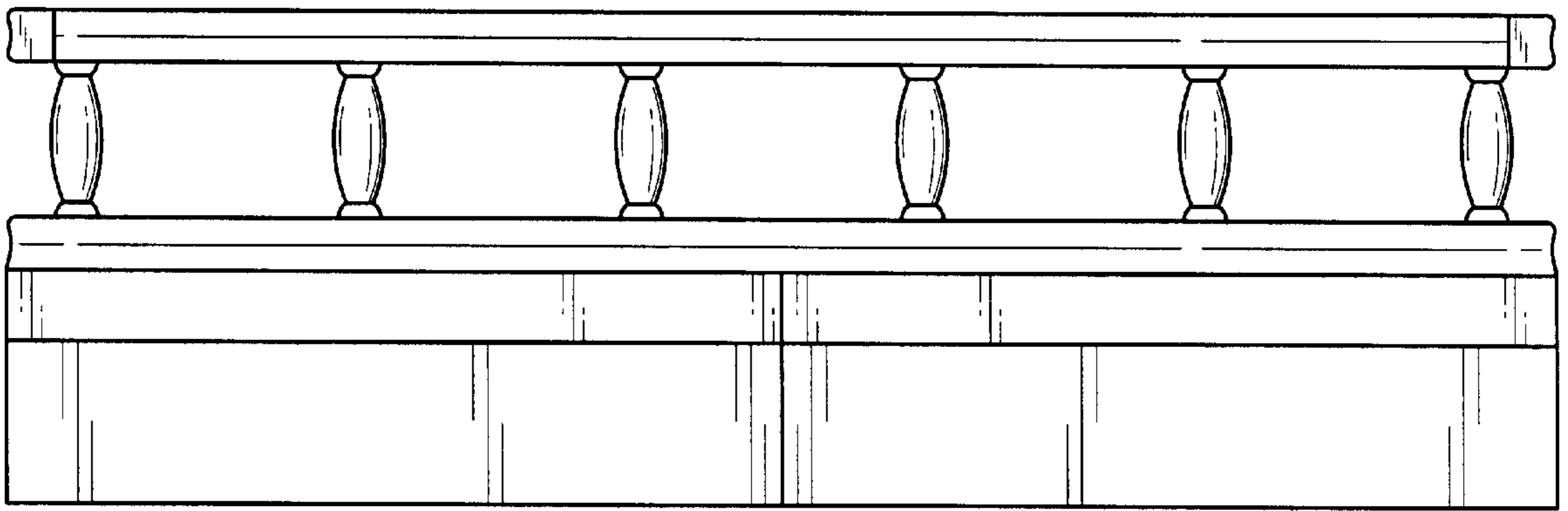


Fig. 3

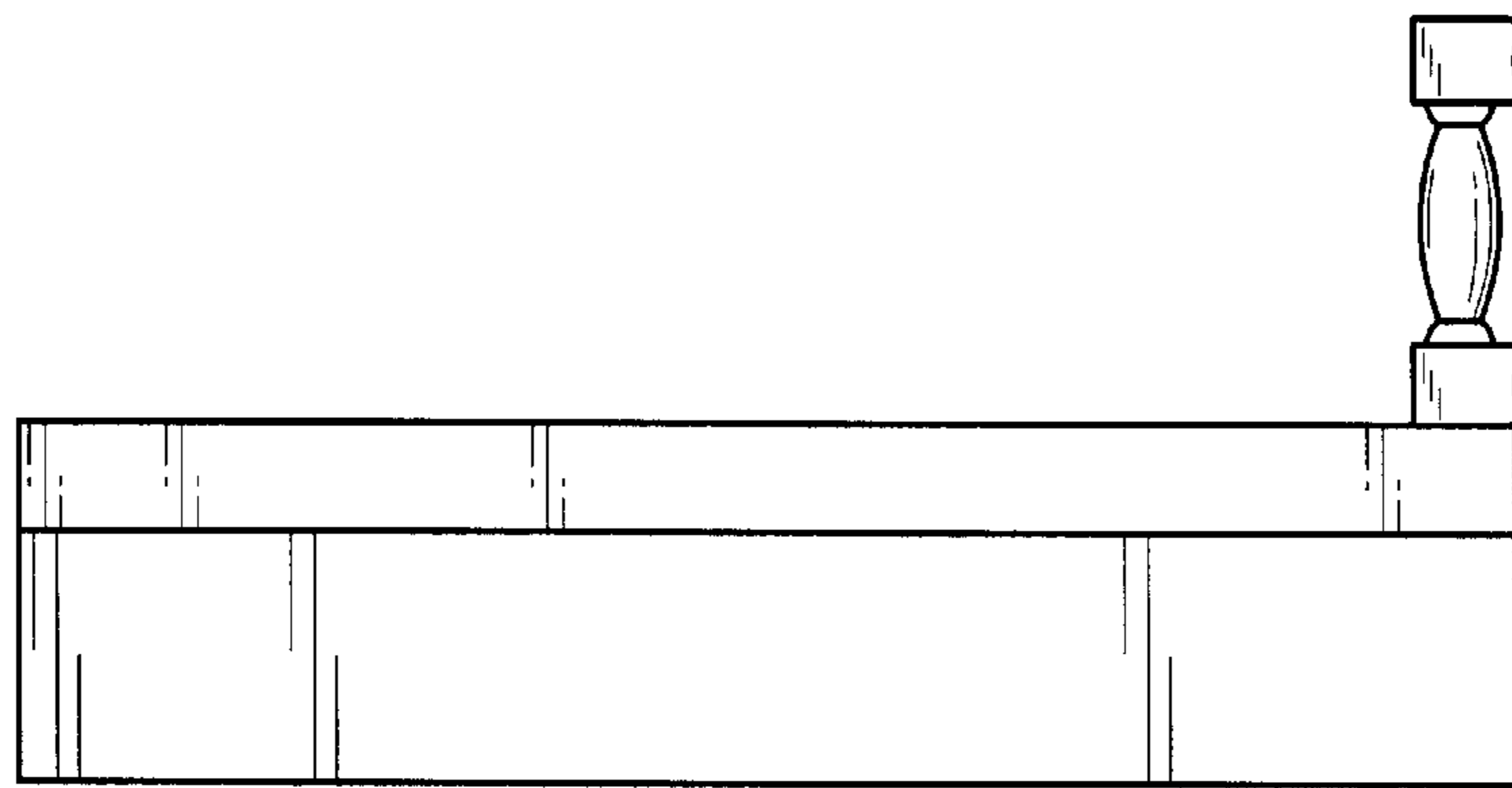


Fig. 4

Fig. 5

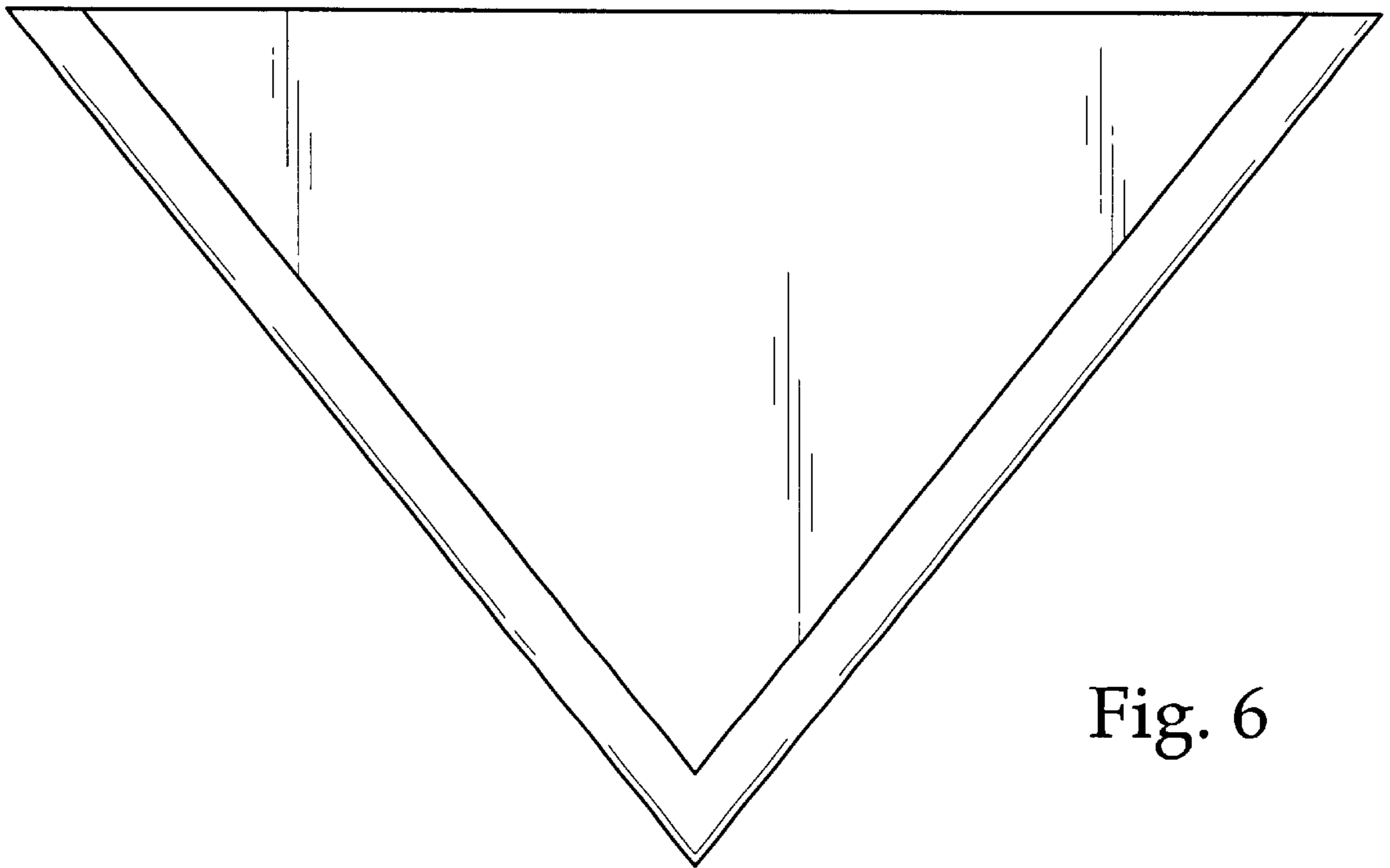


Fig. 6