



US00D448950B1

(12) **United States Design Patent**
McIveen

(10) **Patent No.:** **US D448,950 S**

(45) **Date of Patent:** **** Oct. 9, 2001**

(54) **VIDEO DISPLAY PEDESTAL**

(75) **Inventor:** **Nelson D. McIveen, Mesa, AZ (US)**

(73) **Assignee:** **VuRyte, Inc., Tyler, TX (US)**

(**) **Term:** **14 Years**

(21) **Appl. No.:** **29/136,790**

(22) **Filed:** **Feb. 6, 2001**

(51) **LOC (7) Cl.** **06-04**

(52) **U.S. Cl.** **D6/449; D14/451**

(58) **Field of Search** **D6/396, 449, 491;**
D14/432, 439, 451; 248/127, 177.1, 346.01,
346.03, 917, 918, 919

(56) **References Cited**

U.S. PATENT DOCUMENTS

D. 173,318	*	10/1954	Levenhagen	D7/554.3
D. 282,043	*	1/1986	Morin	D6/406.6 X
D. 289,864	*	5/1987	Pecoff	D6/495 X
D. 296,852	*	7/1988	Buchweitz, Jr. et al.	D6/449
D. 334,304	*	3/1993	Gilman	D6/449
D. 375,298		11/1996	Calfee	D14/114
D. 376,787		12/1996	Calfee	D14/114
D. 390,546		2/1998	Calfee	D14/114

D. 399,834	*	10/1998	Calfee	D14/114
D. 402,136	*	12/1998	Milani	D6/449
5,685,441		11/1997	Calfee	211/194
6,049,454	*	4/2000	Howell et al.	D6/396 X

* cited by examiner

Primary Examiner—Cathron C. Brooks

(74) *Attorney, Agent, or Firm*—Dennis T. Griggs

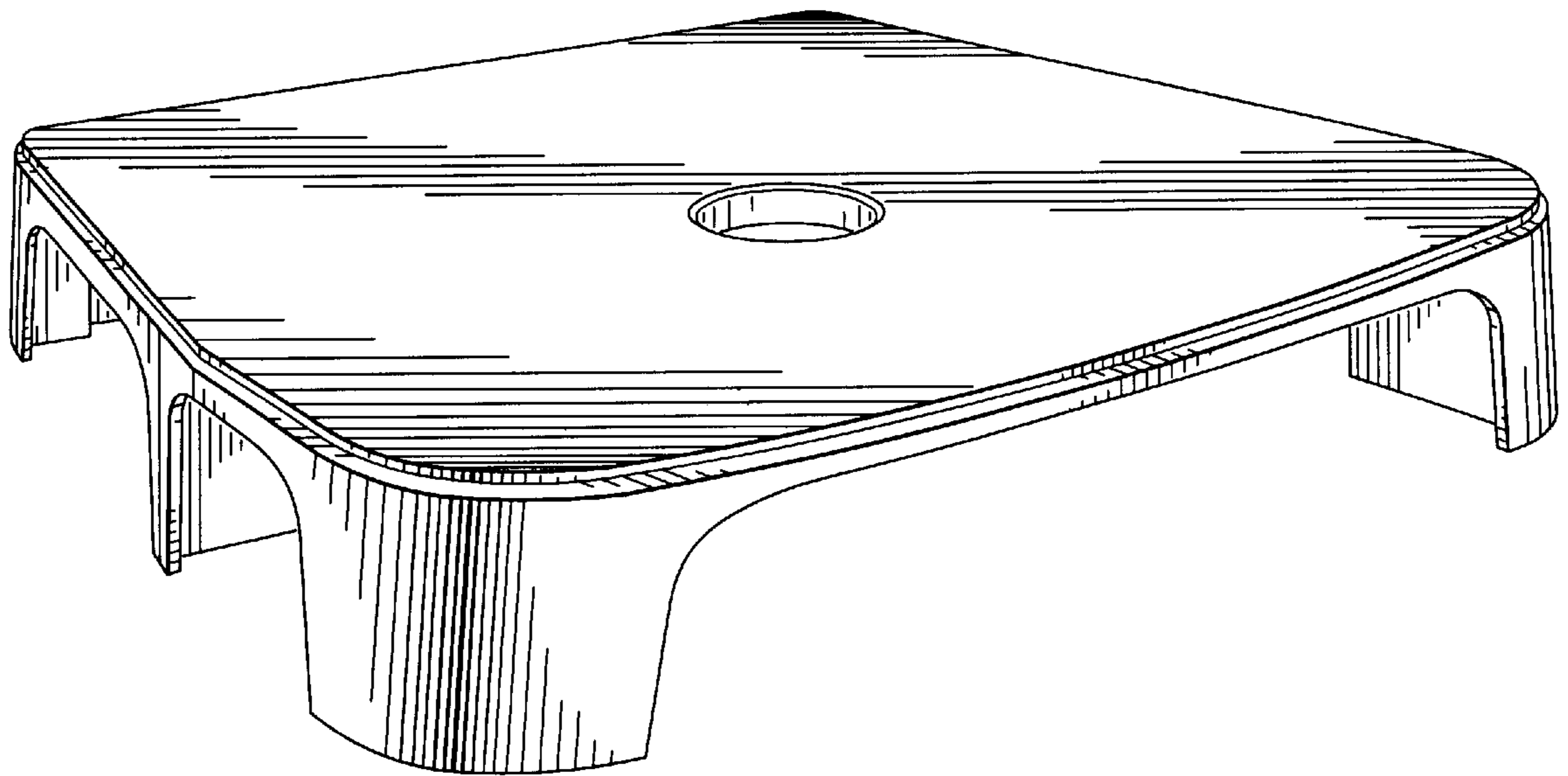
(57) **CLAIM**

The ornamental design for a video display pedestal, as shown and described.

DESCRIPTION

FIG. 1 is a front perspective view of a video display pedestal showing my new design;
FIG. 2 is a top plan view thereof;
FIG. 3 is a front elevational view;
FIG. 4 is a left side elevational view thereof, the right side elevational view being a mirror image thereof;
FIG. 5 is the rear elevational view thereof; and,
FIG. 6 is a perspective view thereof, with a broken line depiction of a video display unit being shown for illustrative purposes only and forming no part of the claimed design.

1 Claim, 2 Drawing Sheets



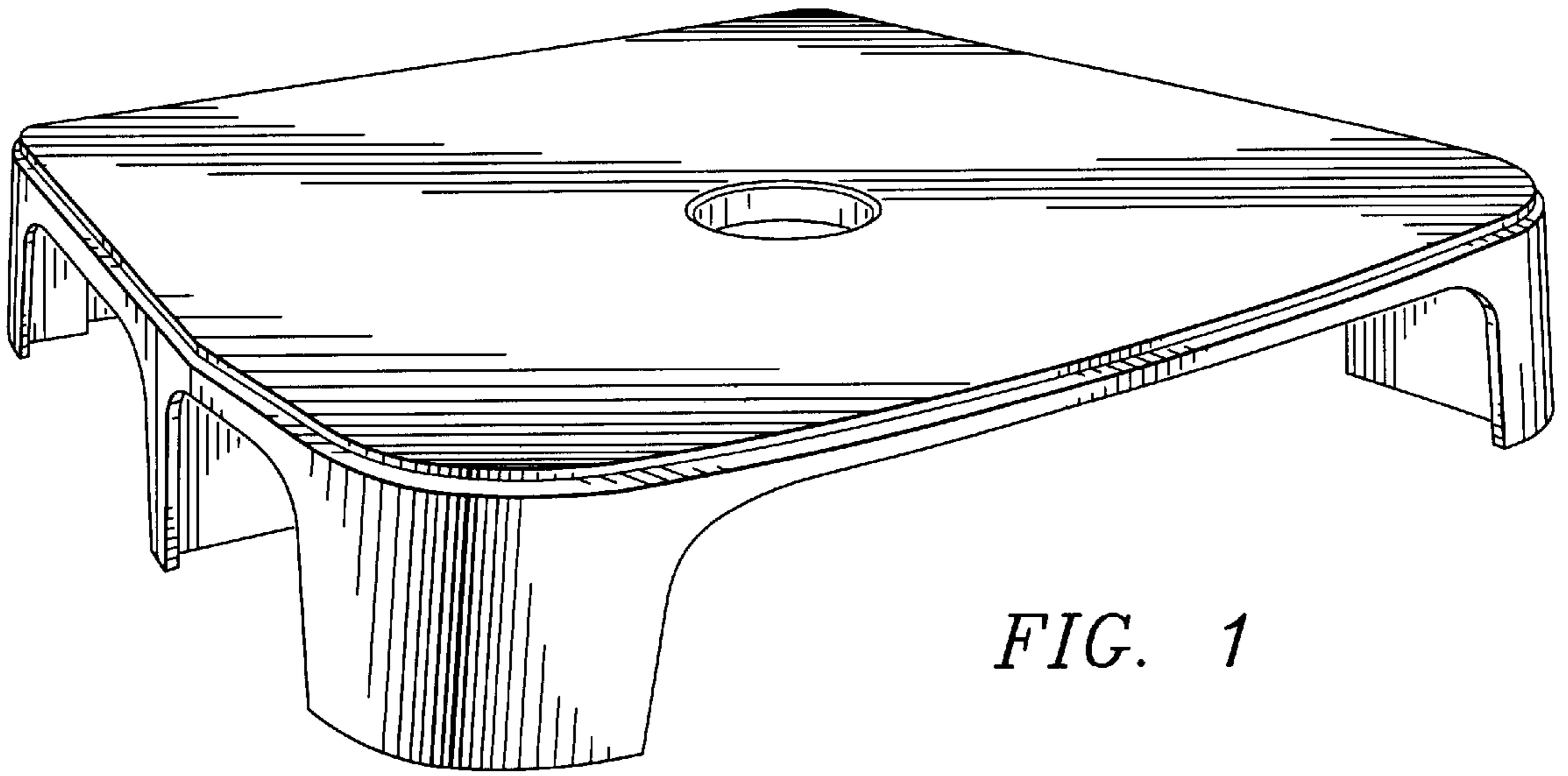


FIG. 1

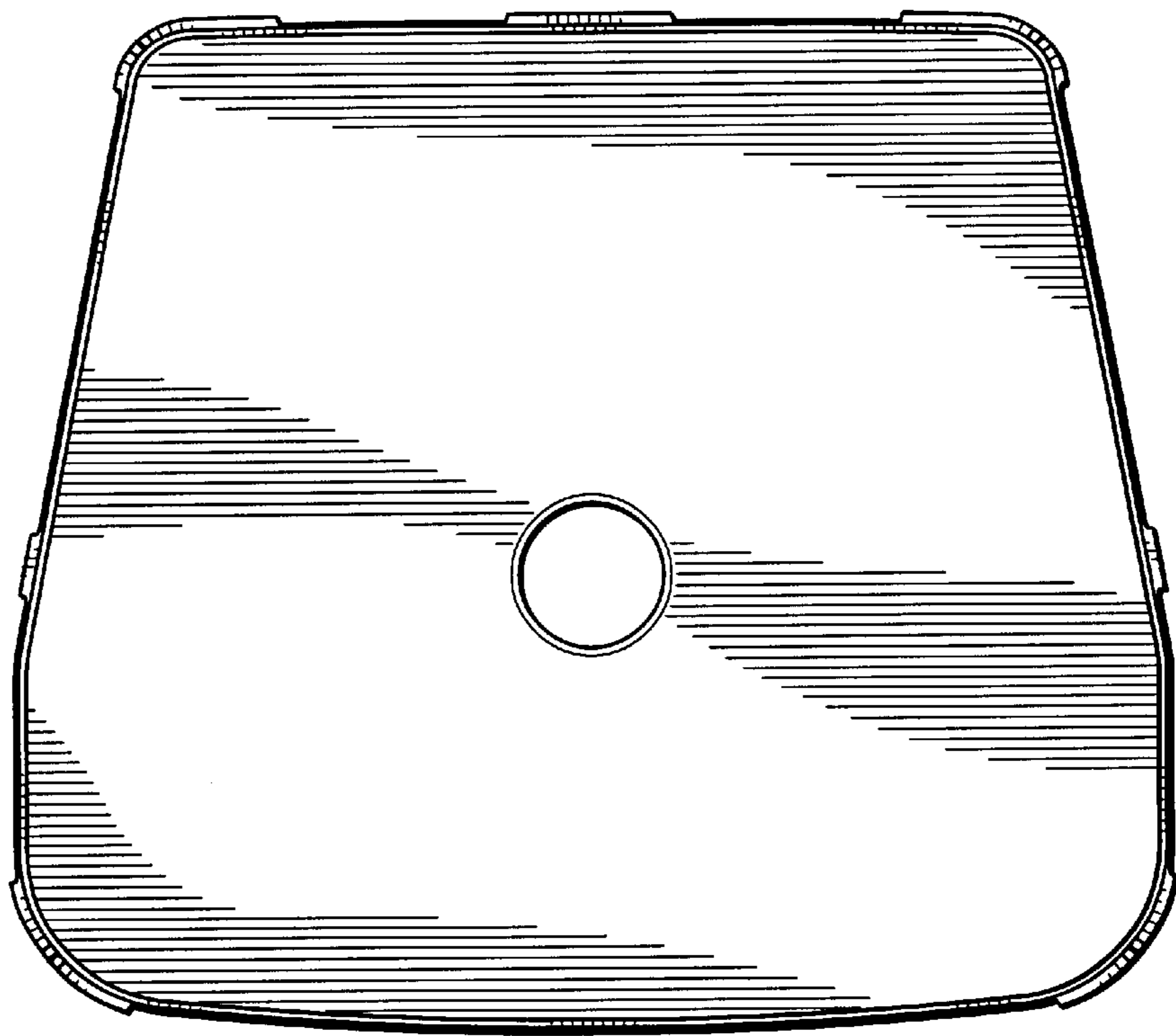


FIG. 2

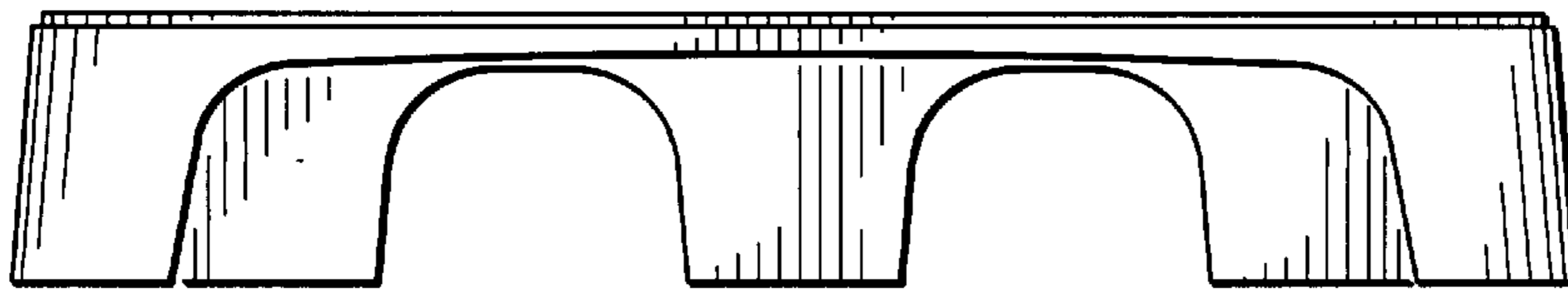


FIG. 3

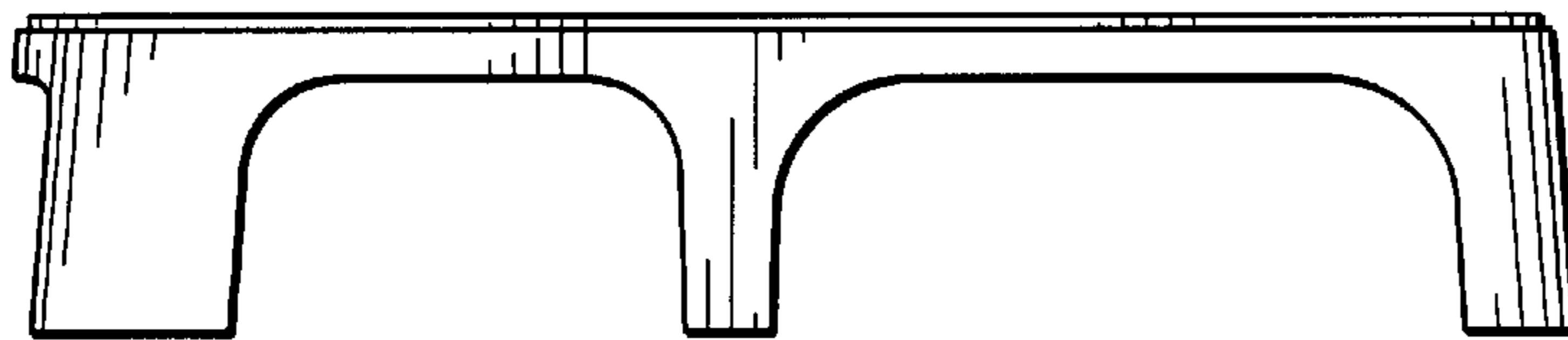


FIG. 4

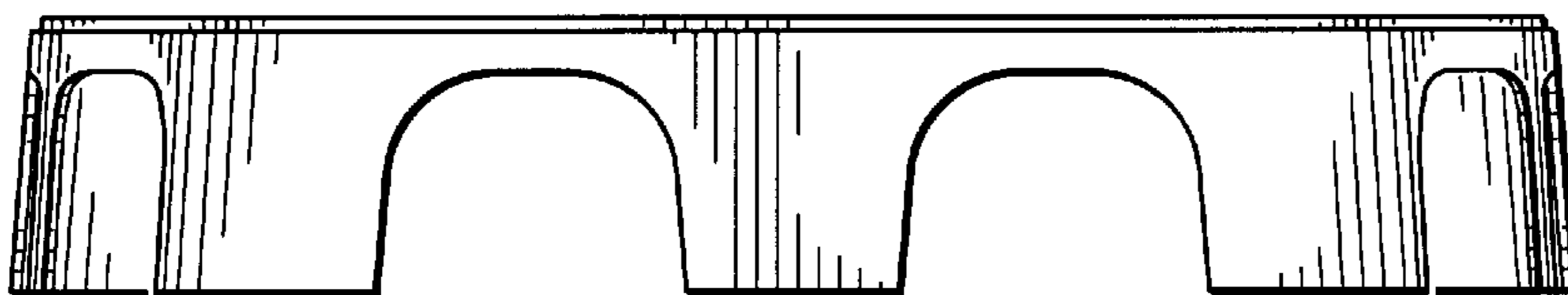


FIG. 5

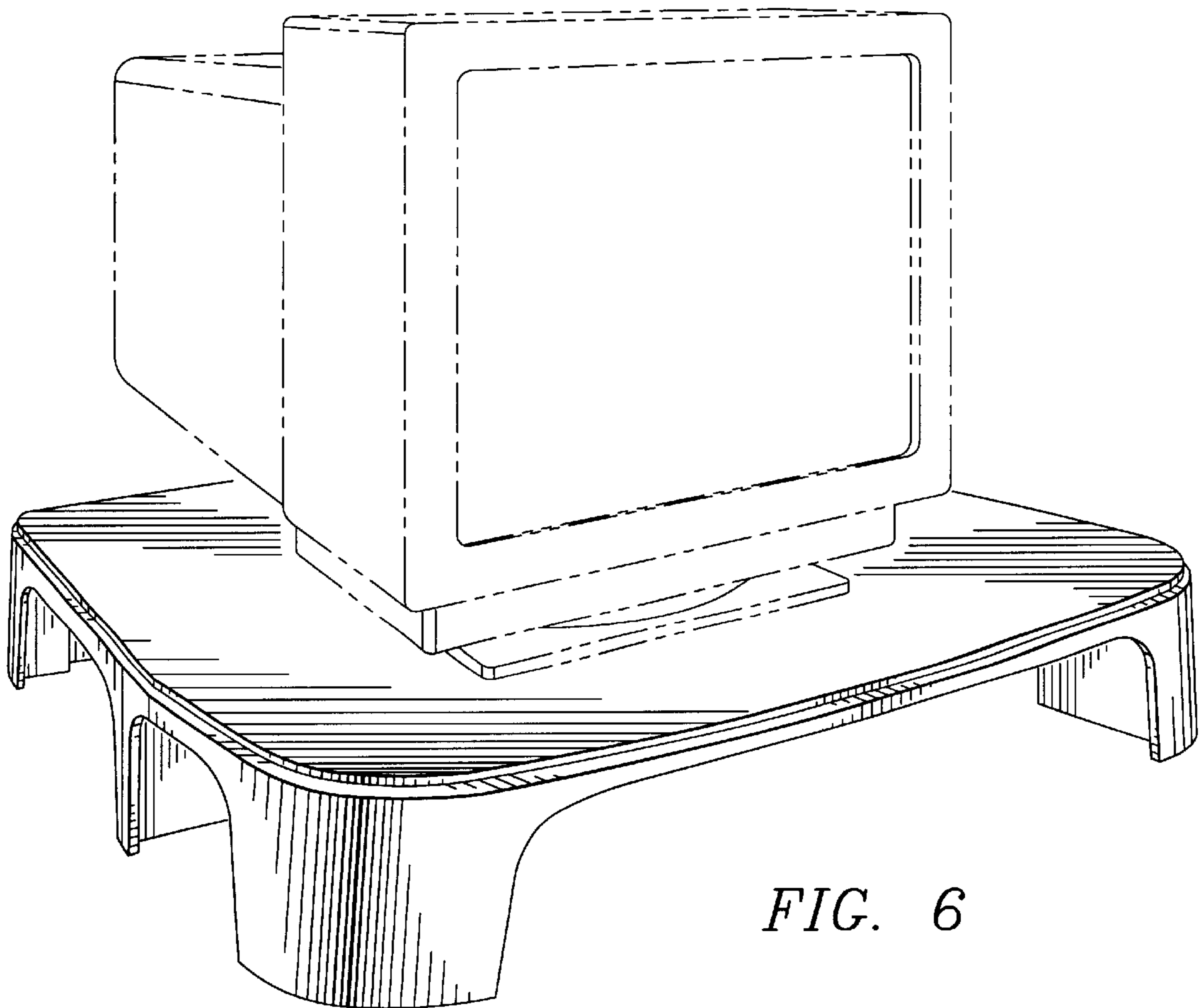


FIG. 6