



US00D448948B1

(12) **United States Design Patent**
Wolff

(10) **Patent No.:** **US D448,948 S**

(45) **Date of Patent:** **** Oct. 9, 2001**

(54) **HEIGHT-ADJUSTABLE WORK TABLE**

D. 374,996 * 10/1996 Noniewicz D6/400
D. 386,624 * 11/1997 Meisner et al. D6/400

(75) Inventor: **Friedrich Wolff**, Bad
Neuenahr-Ahrweiler (DE)

* cited by examiner

(73) Assignee: **Wolcraft GmbH**, Kempenich (DE)

Primary Examiner—Cathron C. Brooks

(74) *Attorney, Agent, or Firm*—Schiff Hardin & Waite

(**) Term: **14 Years**

(57) **CLAIM**

(21) Appl. No.: **29/138,420**

The ornamental design for a height-adjustable work table, as shown and described.

(22) Filed: **Mar. 13, 2001**

DESCRIPTION

(30) **Foreign Application Priority Data**

Sep. 14, 2000 (DE) 400 08 941

(51) **LOC (7) Cl.** **06-03**

(52) **U.S. Cl.** **D6/400**

(58) **Field of Search** D6/400, 429-431;
D25/62, 67; 144/285, 286 R, 286 A, 287,
288; 269/16, 139, 152, 155

FIG. 1 is a perspective view of a height-adjustable work table according to the present invention;
FIG. 2 is a front elevational view of the height-adjustable work table of the present invention;
FIG. 3 is a side elevational view of the left side of FIG. 2;
FIG. 4 is a back elevational view of the height-adjustable work table of FIG. 1;
FIG. 5 is a side elevational view of the right side of FIG. 2;
FIG. 6 is a top plan view of the height-adjustable work table of FIG. 1; and,
FIG. 7 is a bottom plan view of the height-adjustable work table of FIG. 1.

(56) **References Cited**

U.S. PATENT DOCUMENTS

D. 256,641 * 9/1980 Wilson et al. D6/400
D. 351,295 * 10/1994 Noniewicz D6/400

1 Claim, 4 Drawing Sheets

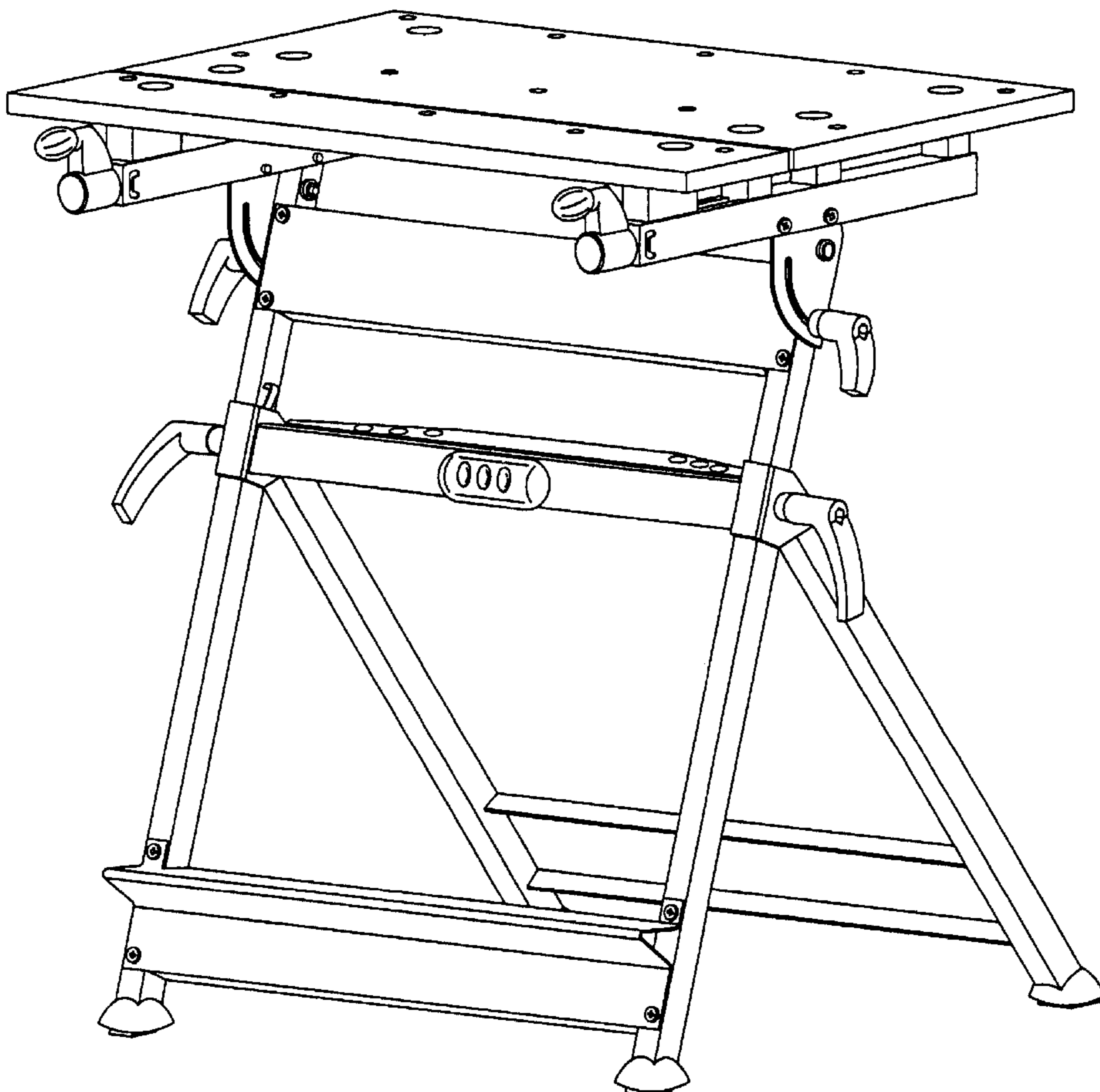
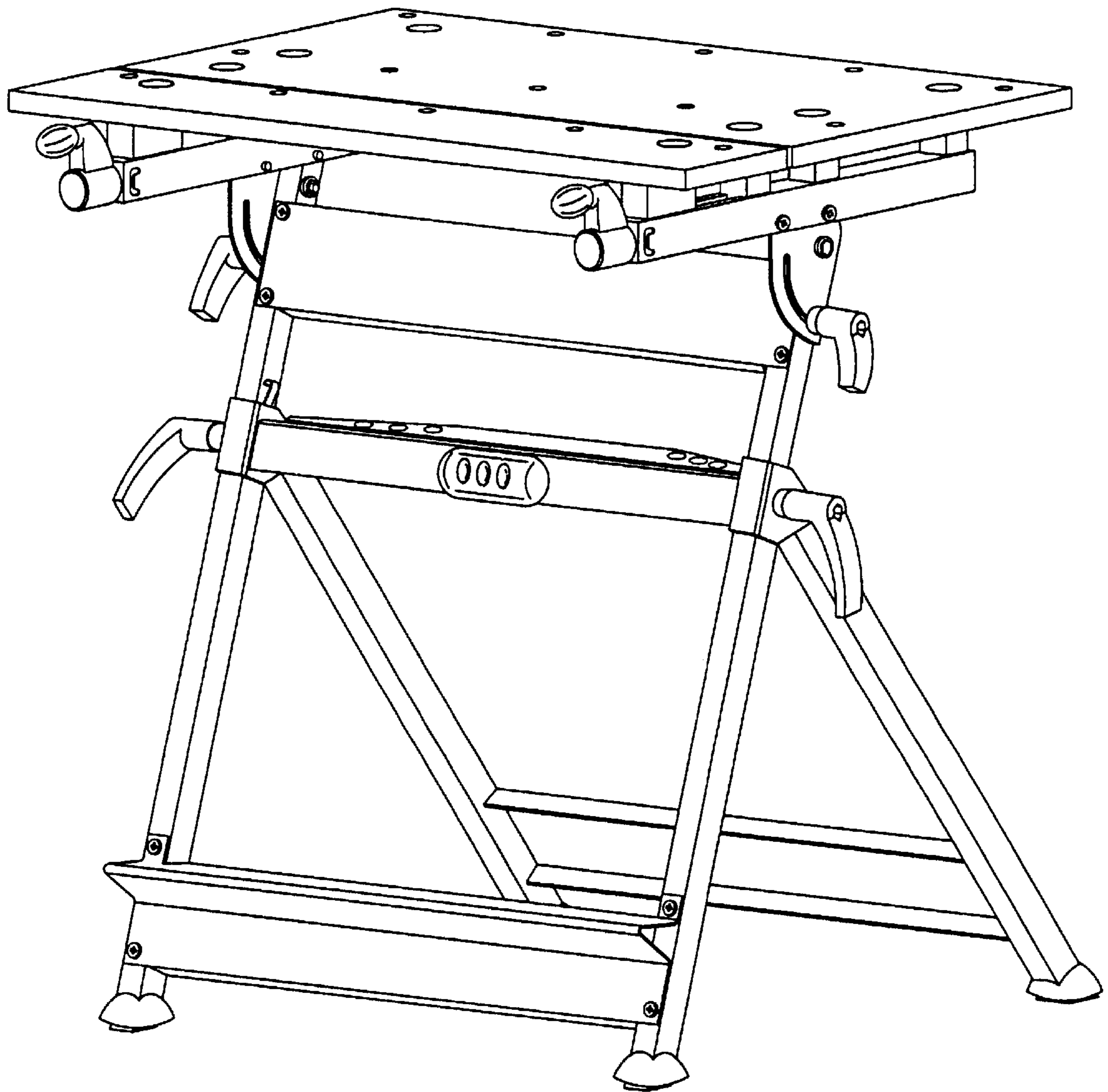


FIG. 1



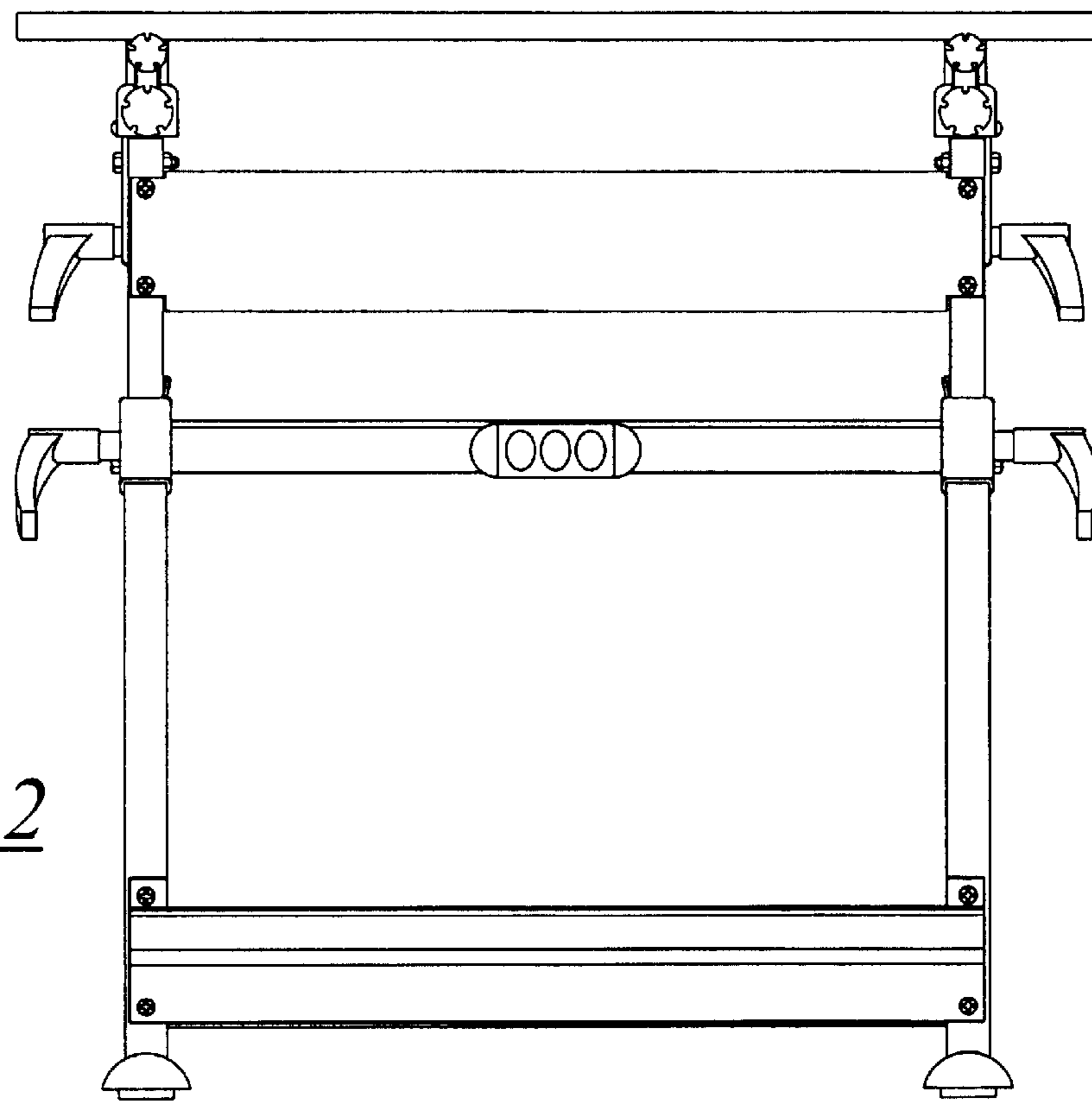


FIG. 2

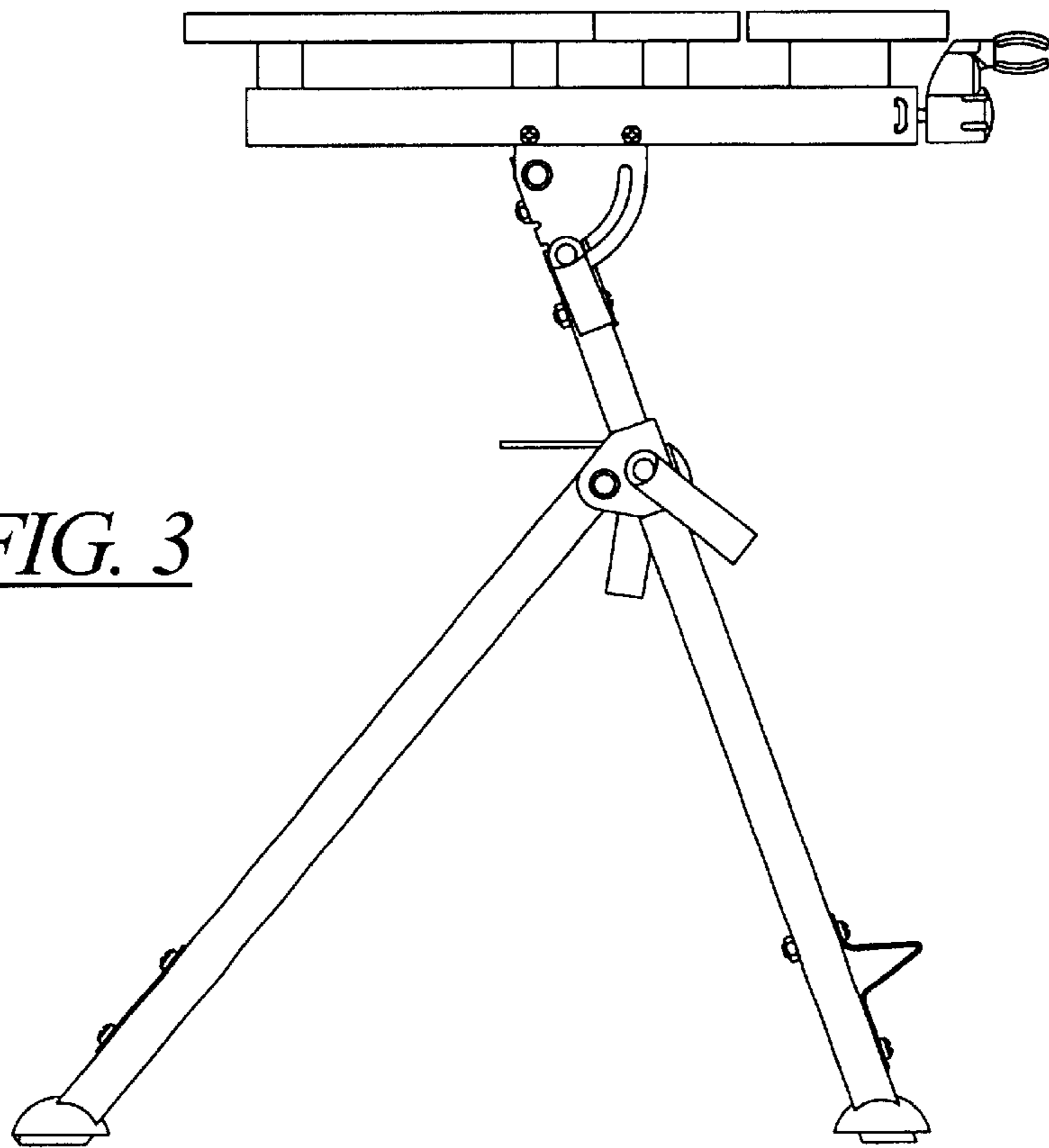


FIG. 3

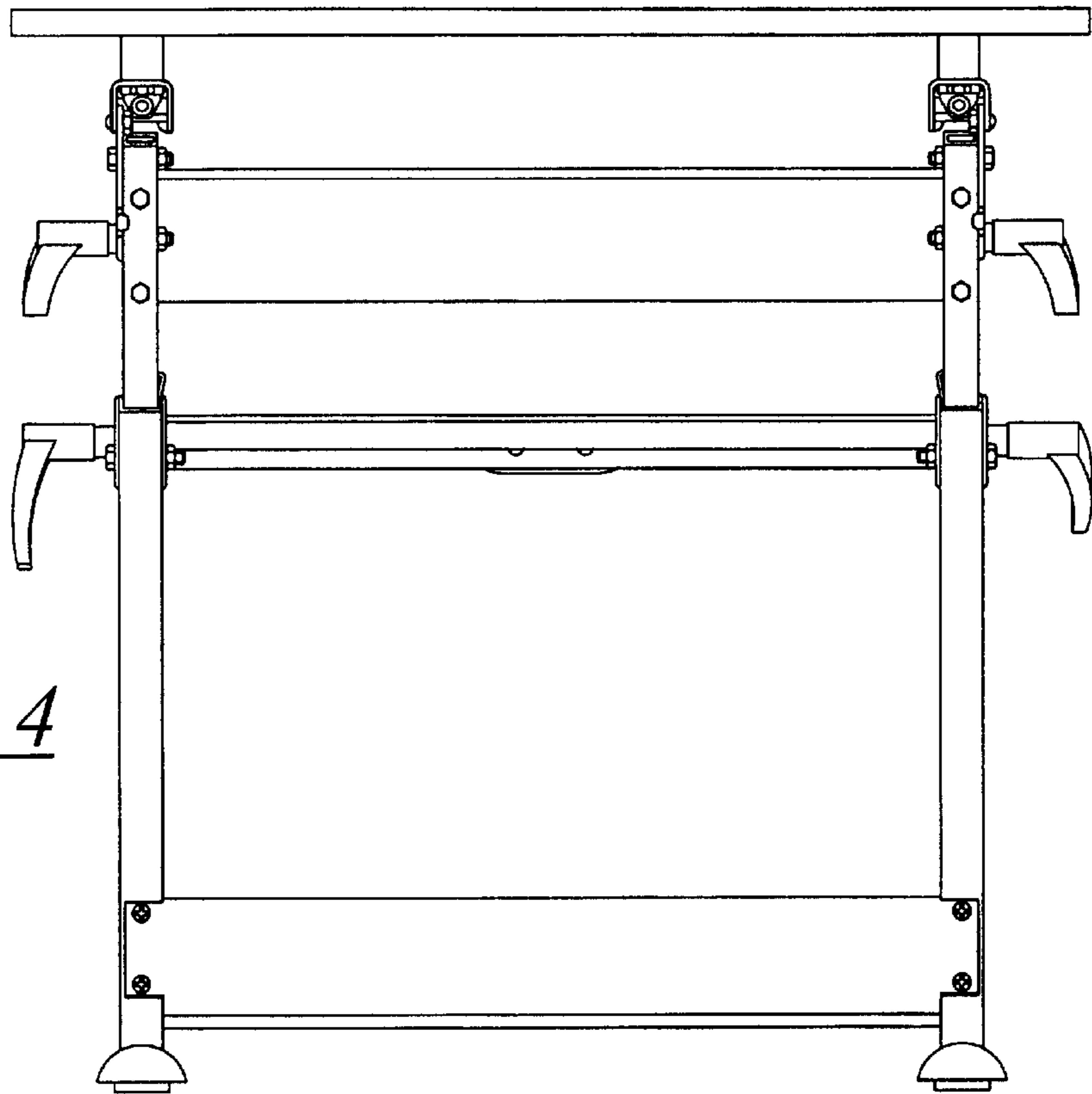


FIG. 4

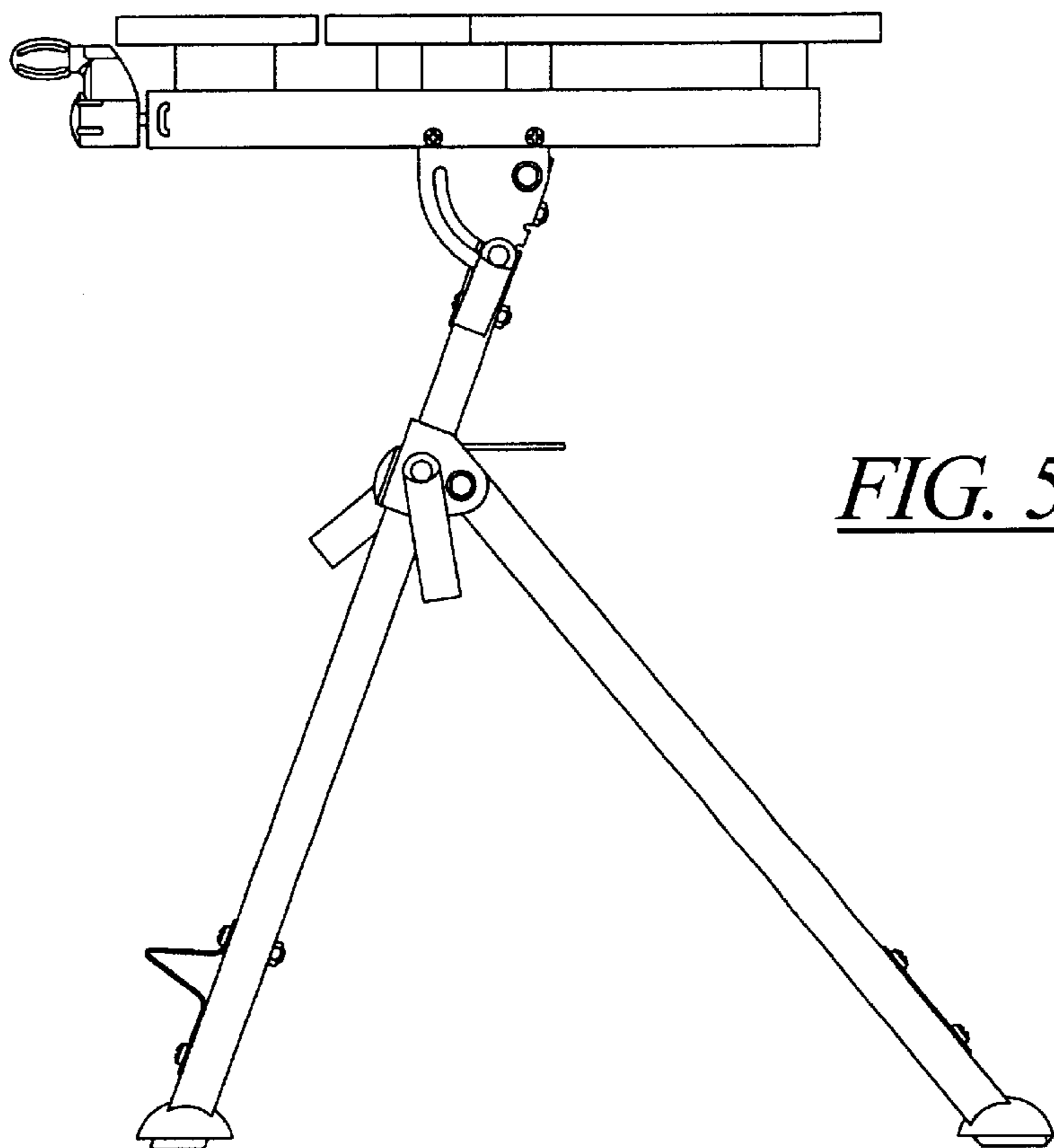


FIG. 5

FIG. 6

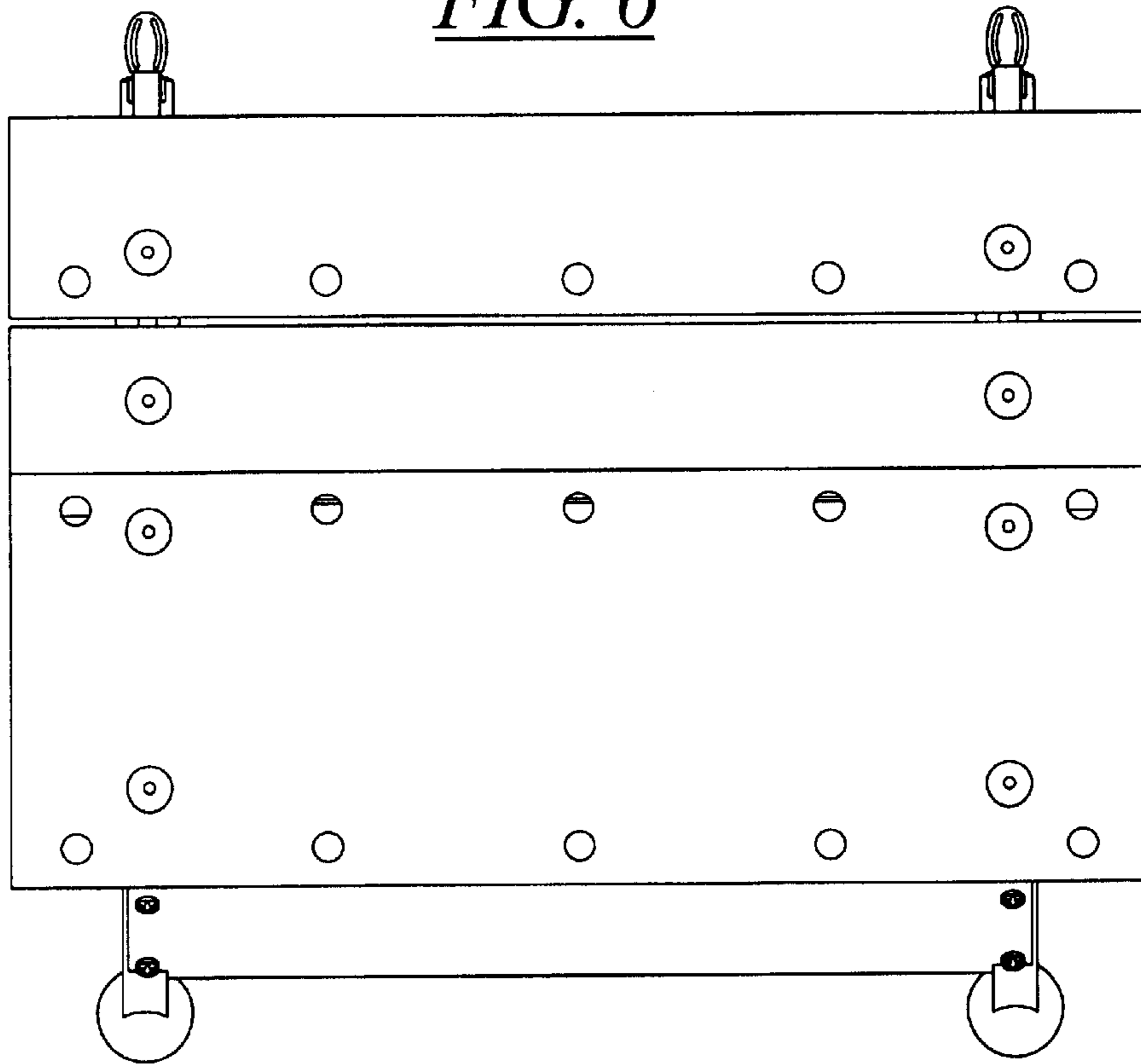


FIG. 7

