



US00D448946B1

(12) **United States Design Patent**
Goetz

(10) **Patent No.:** **US D448,946 S**

(45) **Date of Patent:** **** Oct. 9, 2001**

(54) **ONE PIECE SOFA**

D. 429,081 * 8/2000 Gomez D6/381

(75) Inventor: **Mark William Goetz**, 231 Washington Ave., Brooklyn, NY (US) 11205

OTHER PUBLICATIONS

Design Within Reach, pp. 12–13, Sofa by Mark Goetz.*

(73) Assignee: **Mark William Goetz**

* cited by examiner

(**) Term: **14 Years**

Primary Examiner—Gary D. Watson

(21) Appl. No.: **29/123,936**

(74) *Attorney, Agent, or Firm*—Brinks, Hofer, Gilson & Lione

(22) Filed: **Dec. 7, 1999**

(57) **CLAIM**

(51) **LOC (7) Cl.** **06-01**

The ornamental design for a one piece sofa, as shown and described.

(52) **U.S. Cl.** **D6/381**

(58) **Field of Search** D6/334, 335, 336,
D6/364, 371, 381, 500, 501, 502; 5/12.1;
297/232

DESCRIPTION

(56) **References Cited**

U.S. PATENT DOCUMENTS

- D. 241,590 * 9/1976 Kaplan D6/381
- D. 247,595 * 3/1978 Corson et al. D6/381
- D. 382,129 * 8/1997 Lewis D6/381
- D. 423,244 * 4/2000 Hutton D6/381
- D. 427,448 * 7/2000 Natuzzi et al. D6/381

FIG. 1 is a perspective view of a one piece sofa showing my new design;
 FIG. 2 is a front view of a one piece sofa showing my new design;
 FIG. 3 is a rear view thereof;
 FIG. 4 is a top view thereof;
 FIG. 5 is a bottom view thereof; and,
 FIG. 6 is an end view thereof.

1 Claim, 2 Drawing Sheets

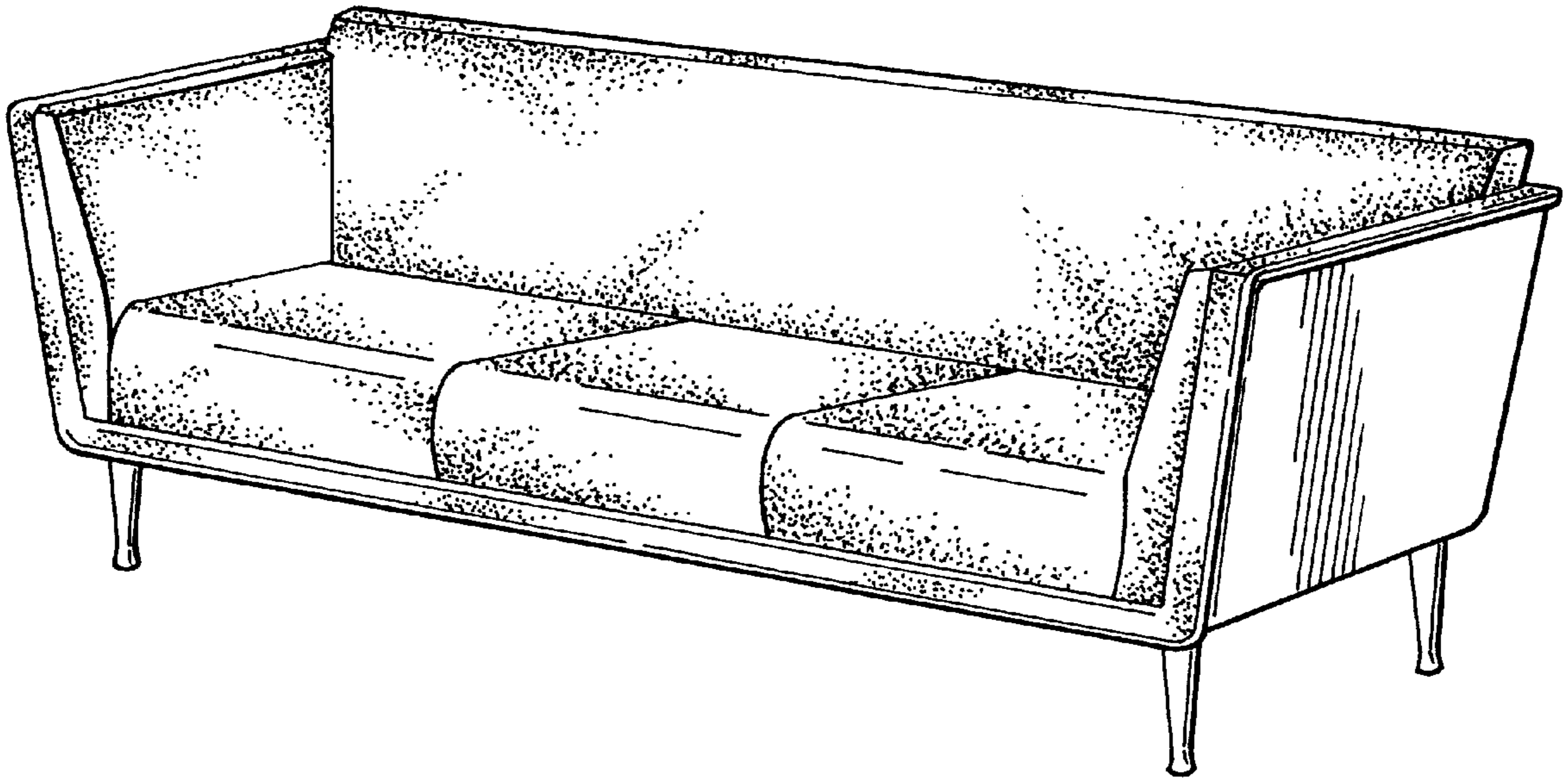


FIG. 1

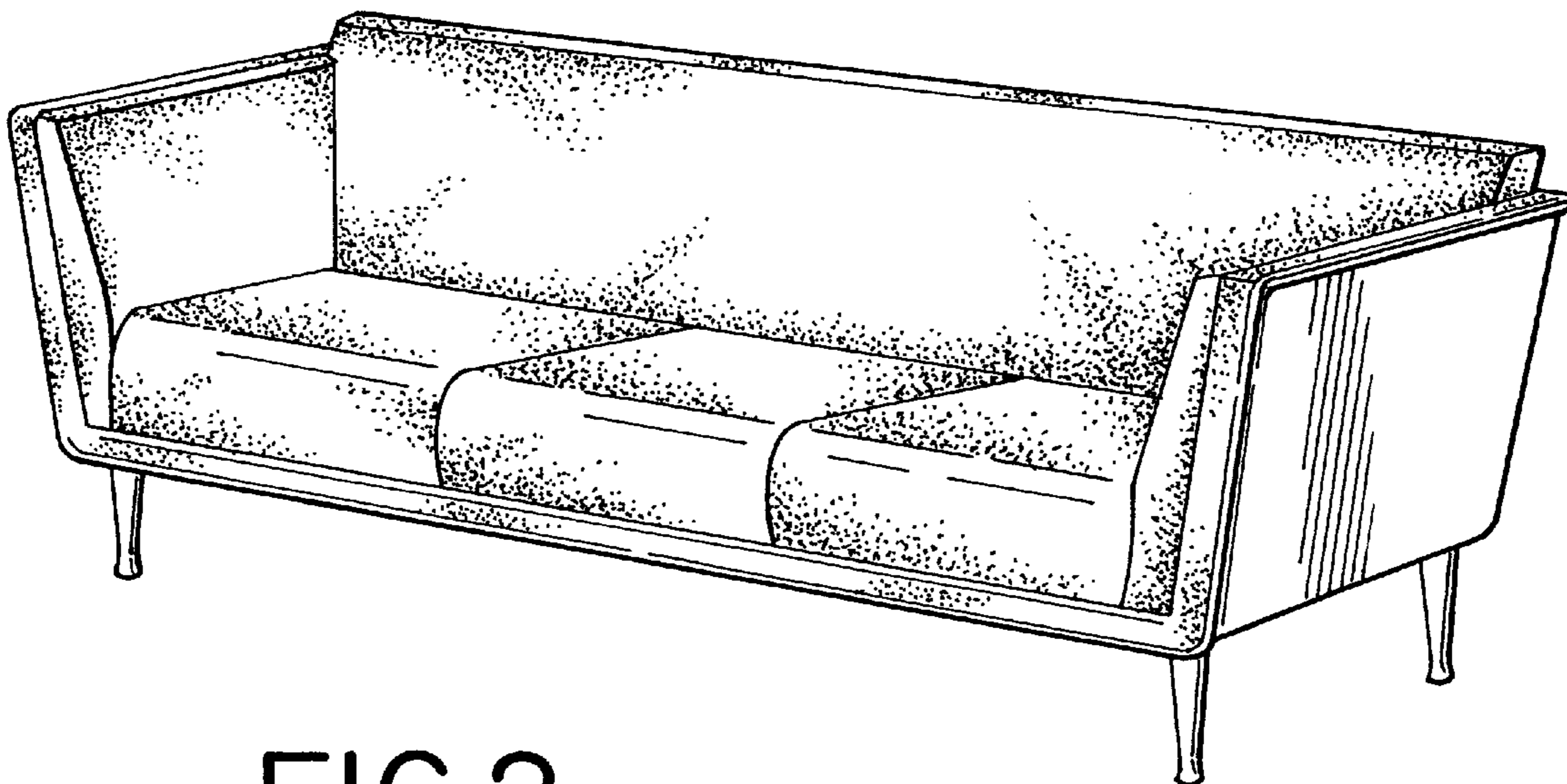


FIG. 2

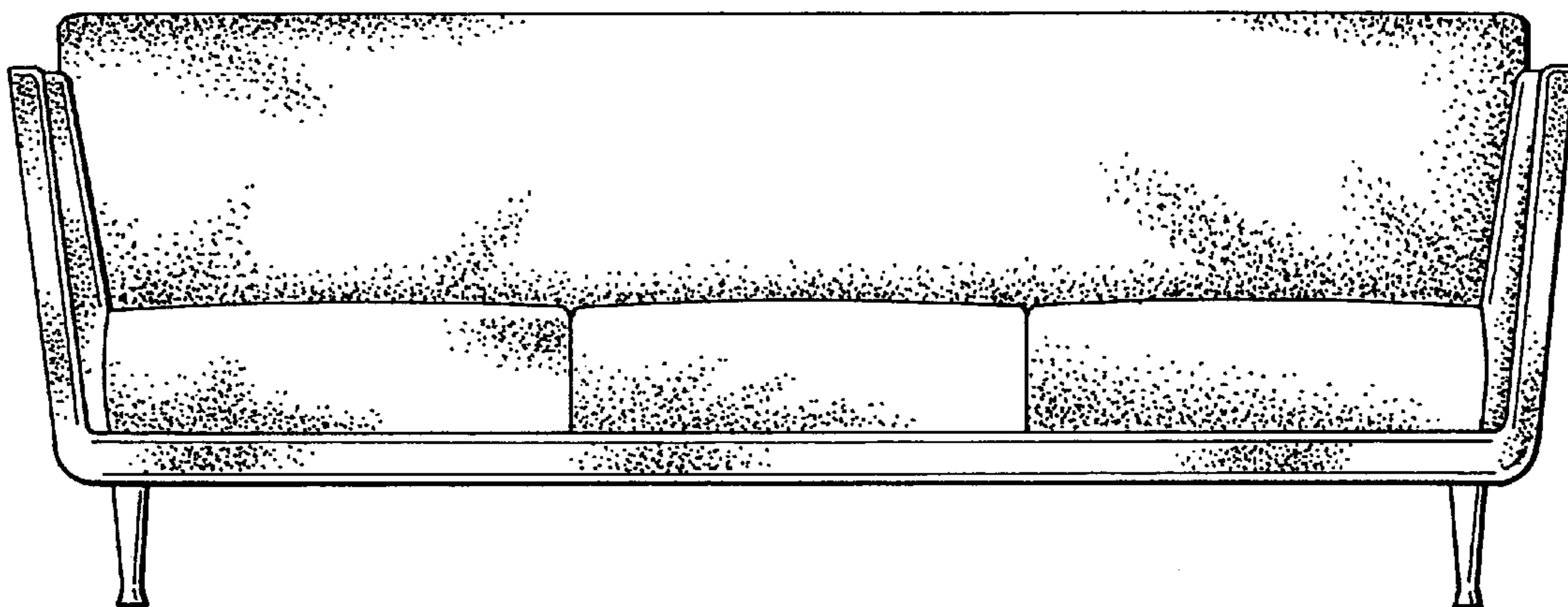


FIG. 3

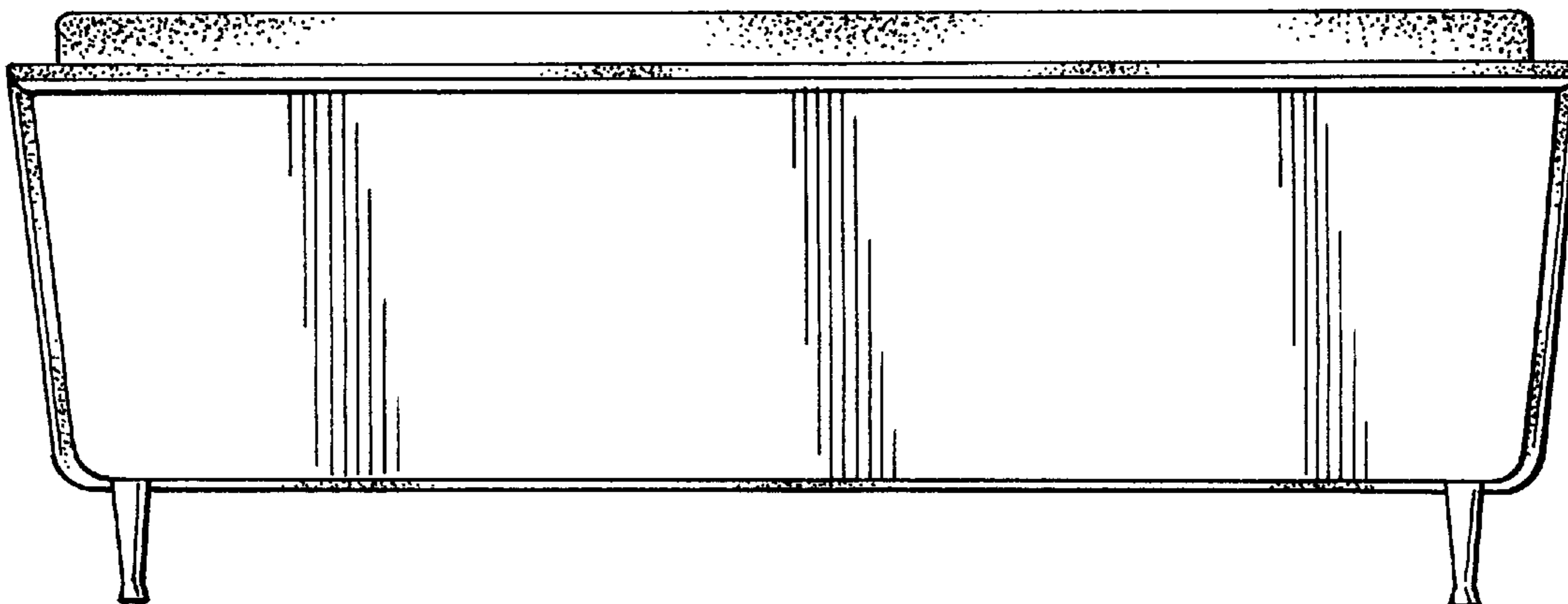


FIG.4

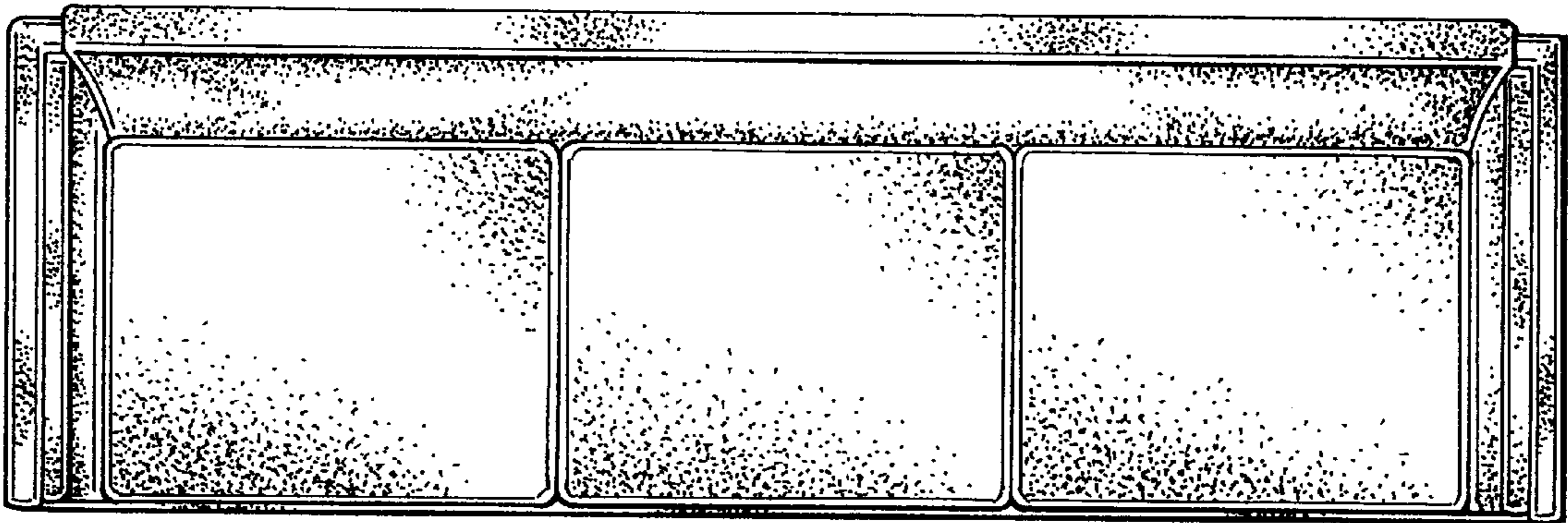


FIG.5

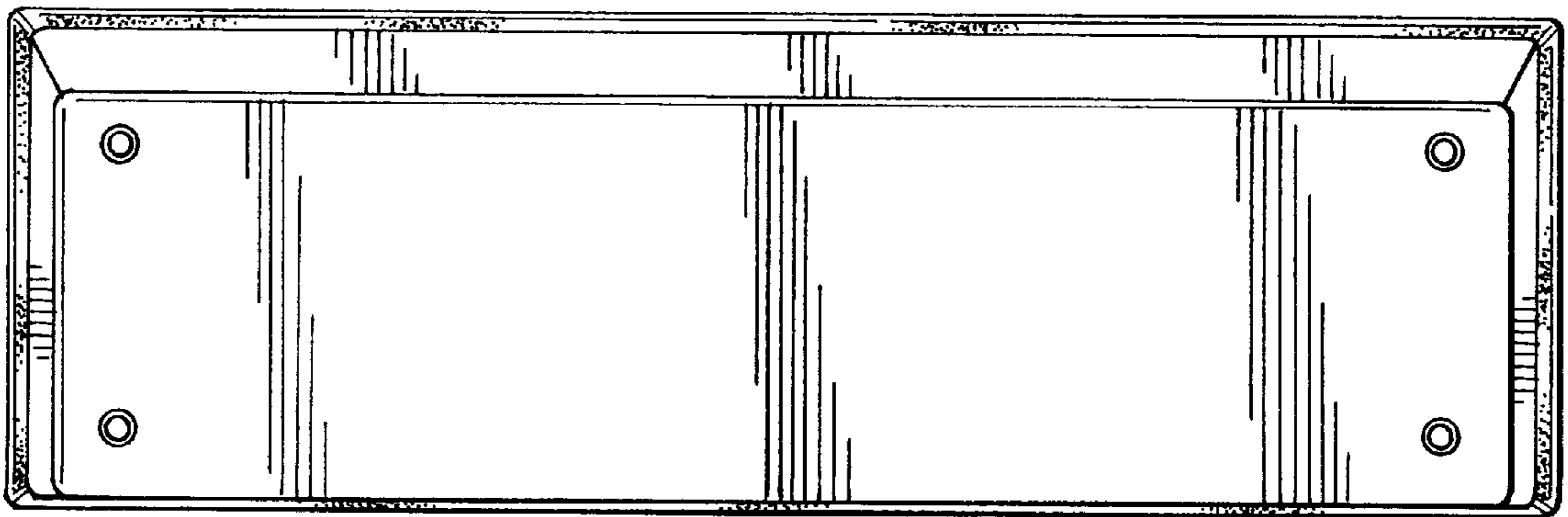


FIG.6

