



US00D448940B1

(12) **United States Design Patent**
Chi

(10) **Patent No.:** **US D448,940 S**

(45) **Date of Patent:** **** Oct. 9, 2001**

(54) **SWIVEL-TILTER ARMCHAIR FRAME**

5,599,064 * 2/1997 Vanderminden, Sr. 297/344.21

(76) Inventor: **Ching-Hui Chi**, No. 24-2, Hsi Wei Street, San Chung City, Taipei Hsien (TW)

* cited by examiner

Primary Examiner—Doris V. Coles

Assistant Examiner—Mimosa De

(74) *Attorney, Agent, or Firm*—Rosenberg, Klein & Lee

(**) Term: **14 Years**

(21) Appl. No.: **29/131,921**

(57) **CLAIM**

(22) Filed: **Oct. 31, 2000**

The ornamental design for a swivel-tilter armchair frame, as shown and described.

(51) **LOC (7) Cl.** **06-01**

DESCRIPTION

(52) **U.S. Cl.** **D6/365**

(58) **Field of Search** D6/334, 335, 344, D6/364, 365, 374, 375, 376, 379, 500-502; 108/140; 297/258.1, 271.1, 325, 326, 344.21, 344.26

FIG. 1 is a perspective view of a swivel-tilter armchair frame showing my new design;

FIG. 2 is a front elevational view thereof;

FIG. 3 is a rear elevational view thereof;

FIG. 4 is a left side elevational view thereof;

FIG. 5 is a right side elevational view thereof;

FIG. 6 is a top plan view thereof;

FIG. 7 is a bottom plan view thereof; and,

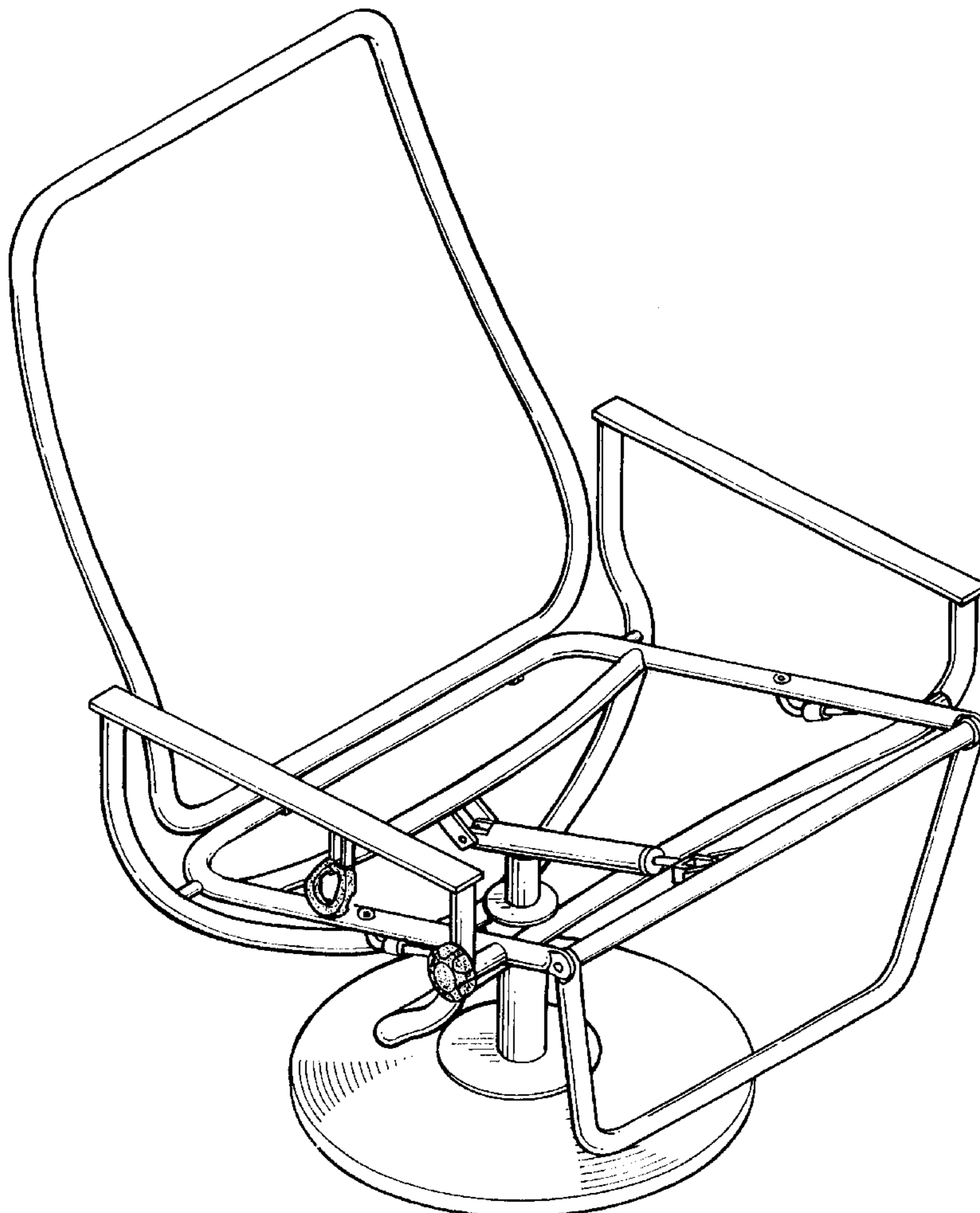
FIG. 8 is a side view of the design showing the frame stretched.

(56) **References Cited**

U.S. PATENT DOCUMENTS

D. 295,583	*	5/1988	Conn	D6/364
D. 316,936	*	5/1991	Ekornes et al.	D6/365
D. 414,947	*	10/1999	Liu	D6/344
1,484,229	*	2/1924	Miles	108/140

1 Claim, 5 Drawing Sheets



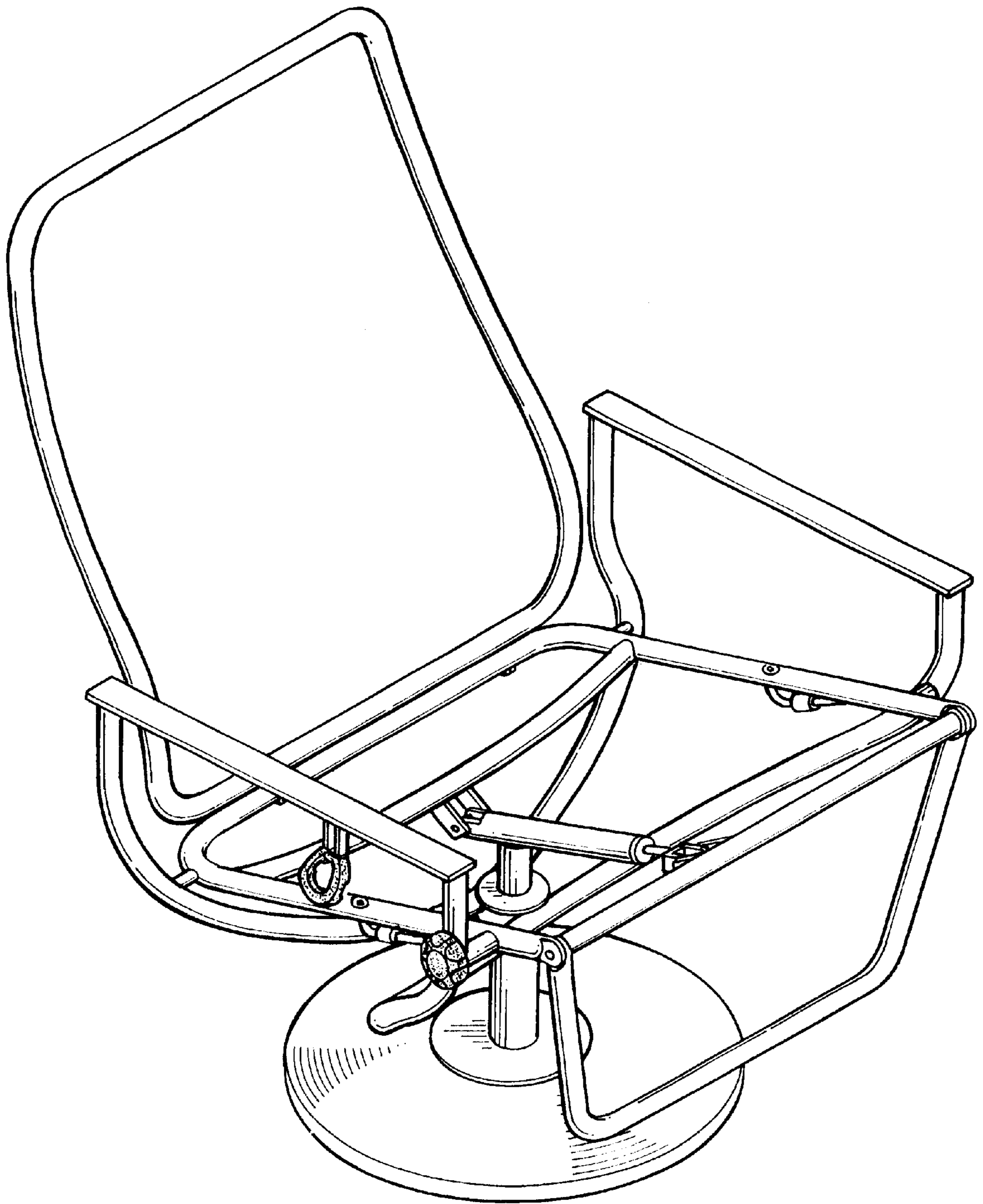


FIG. 1

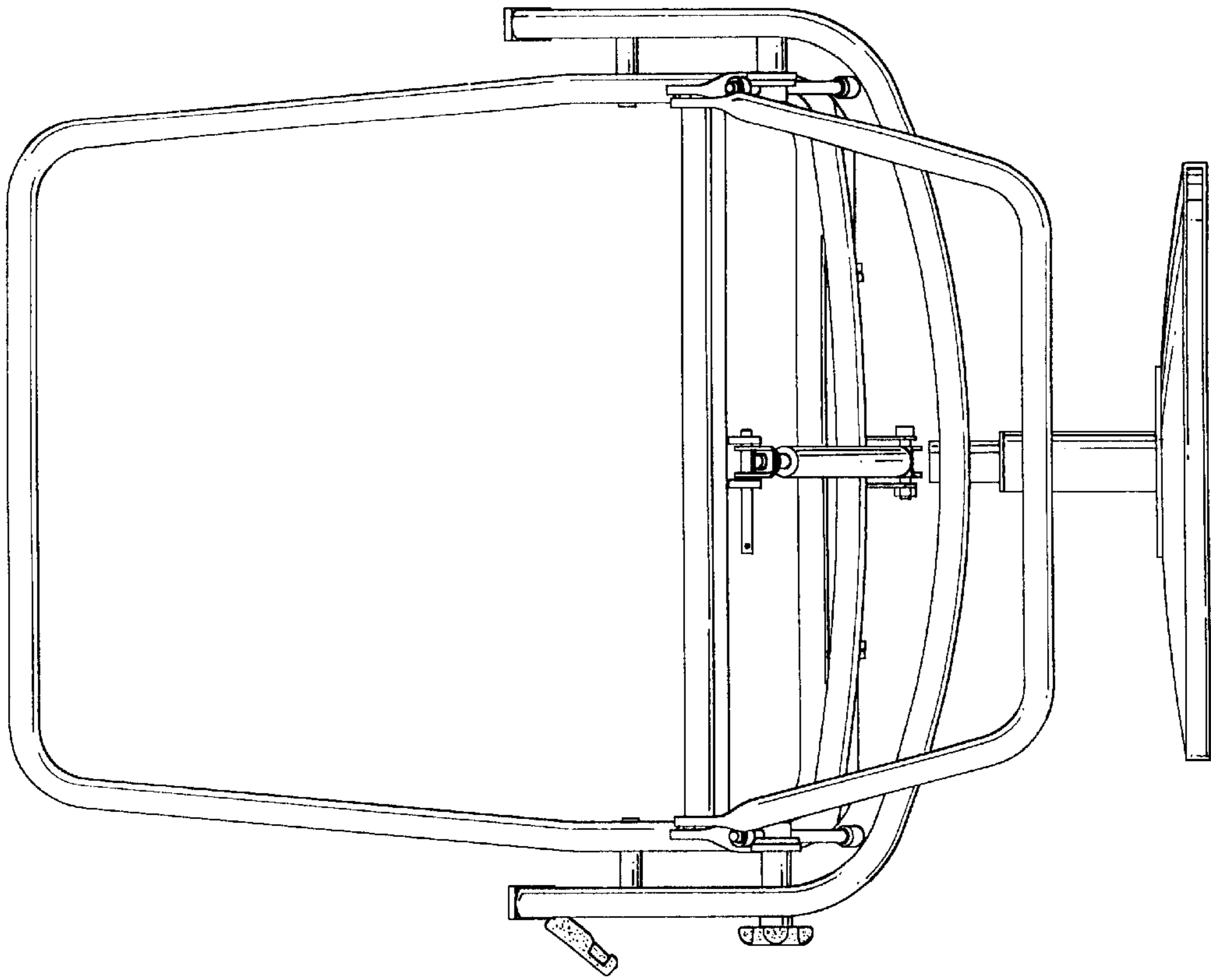


FIG. 2

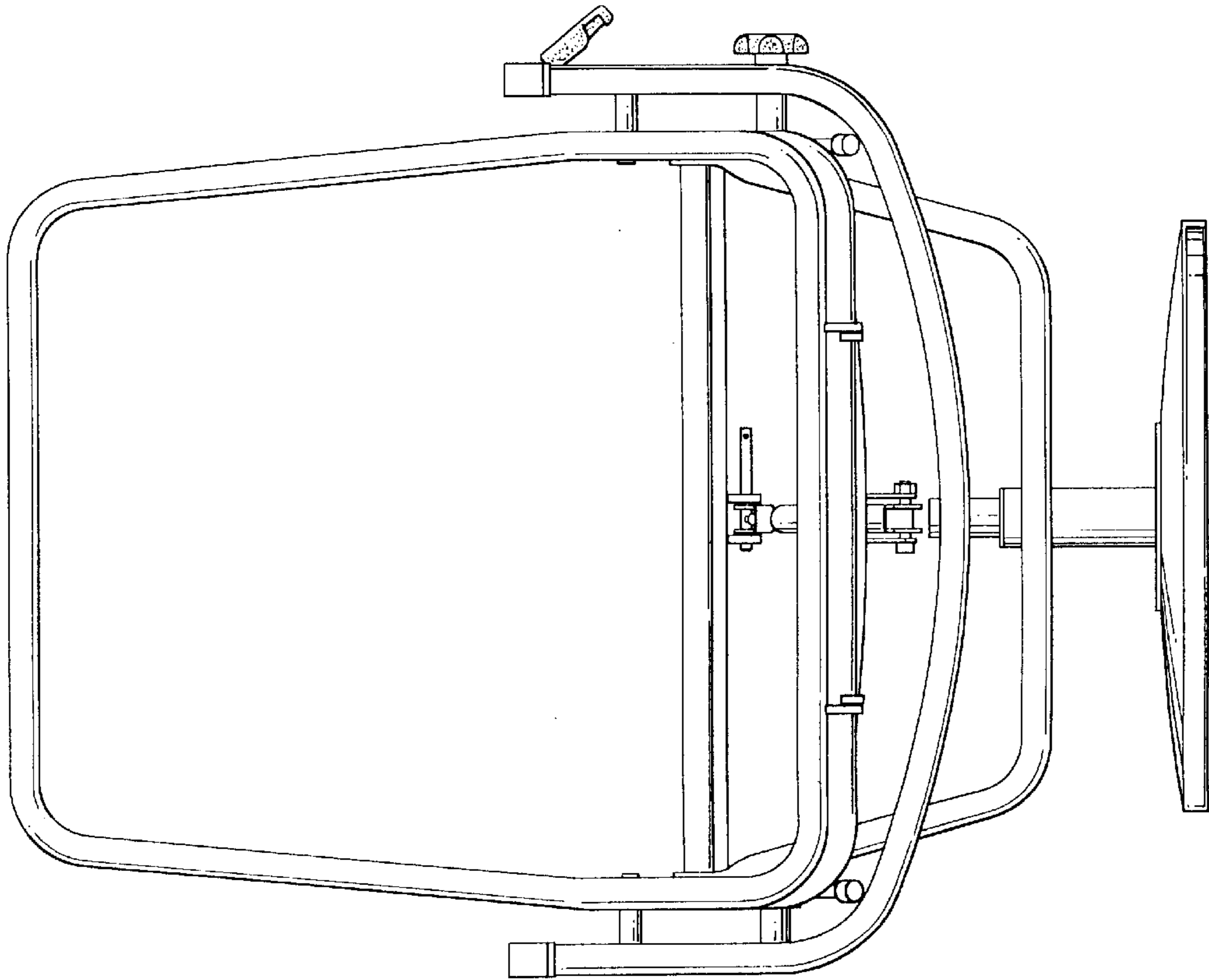


FIG. 3

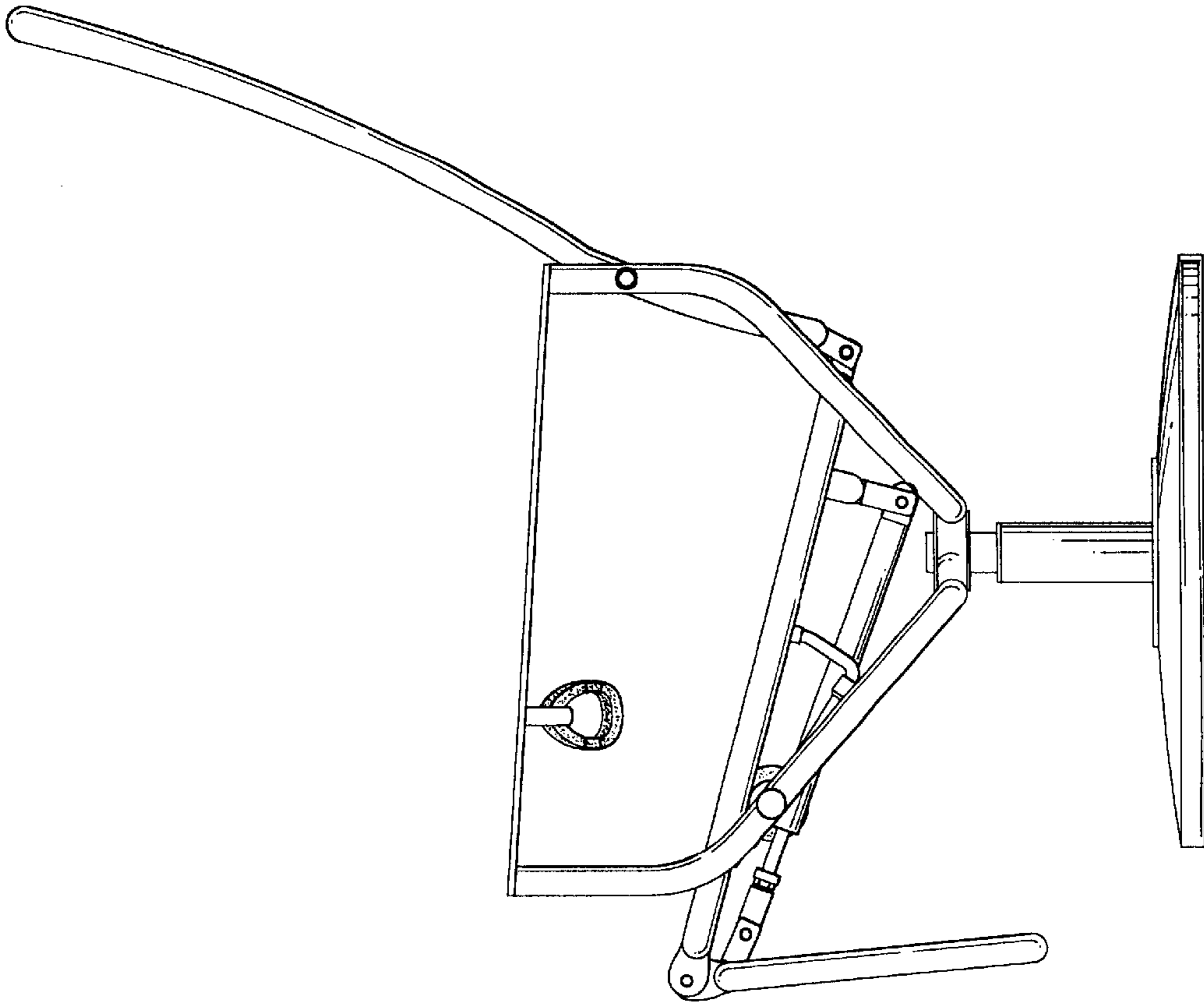


FIG. 5

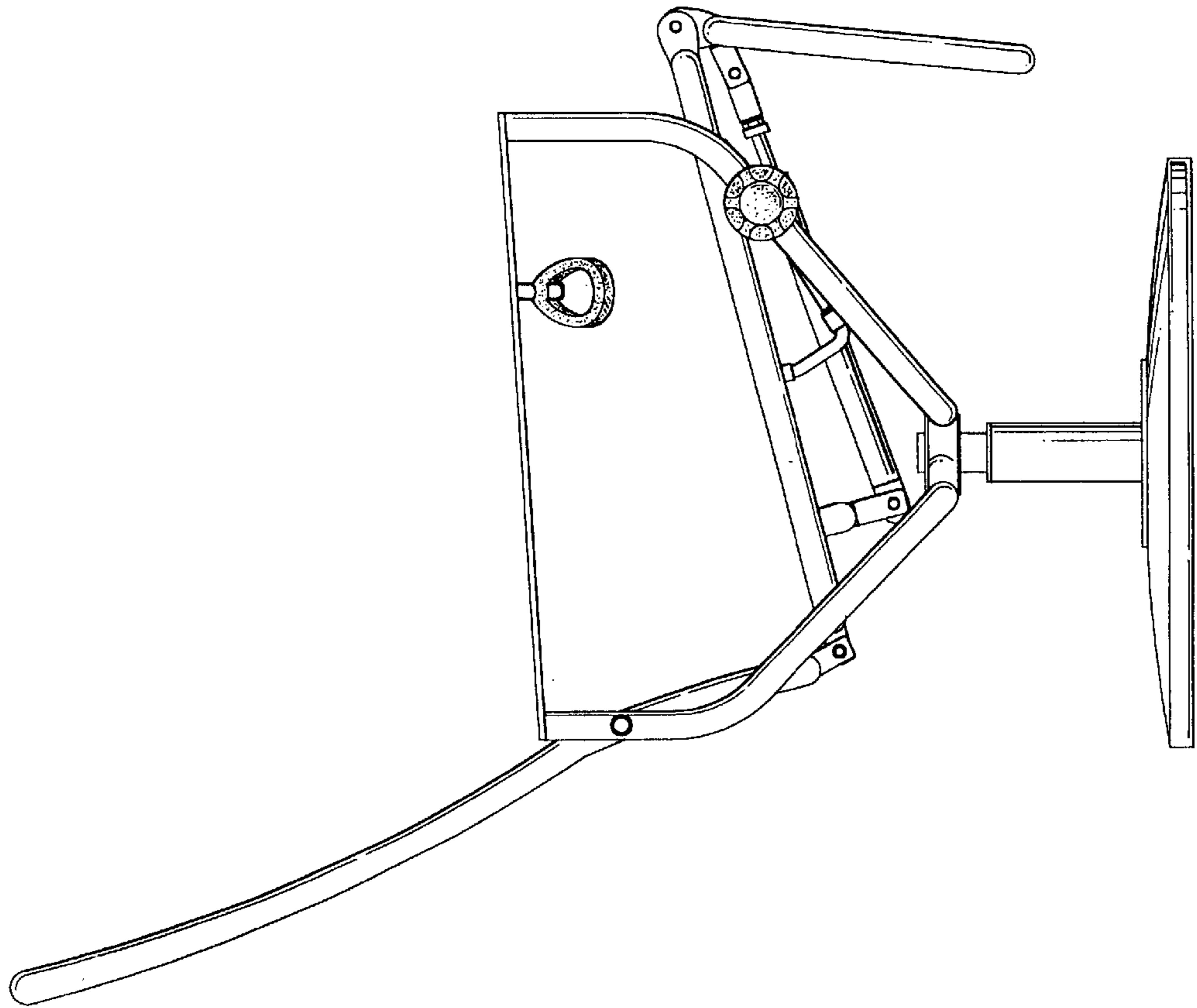
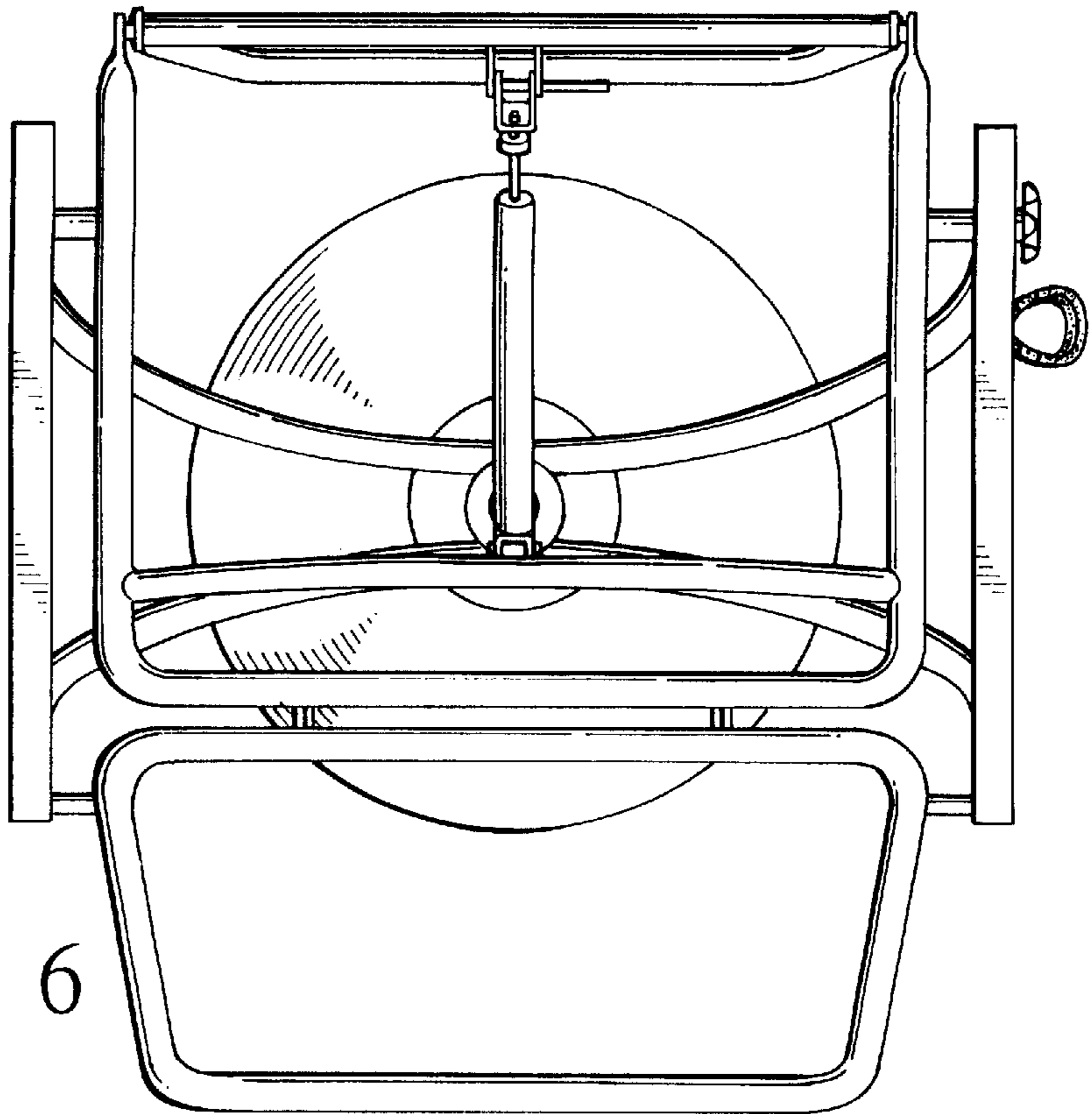
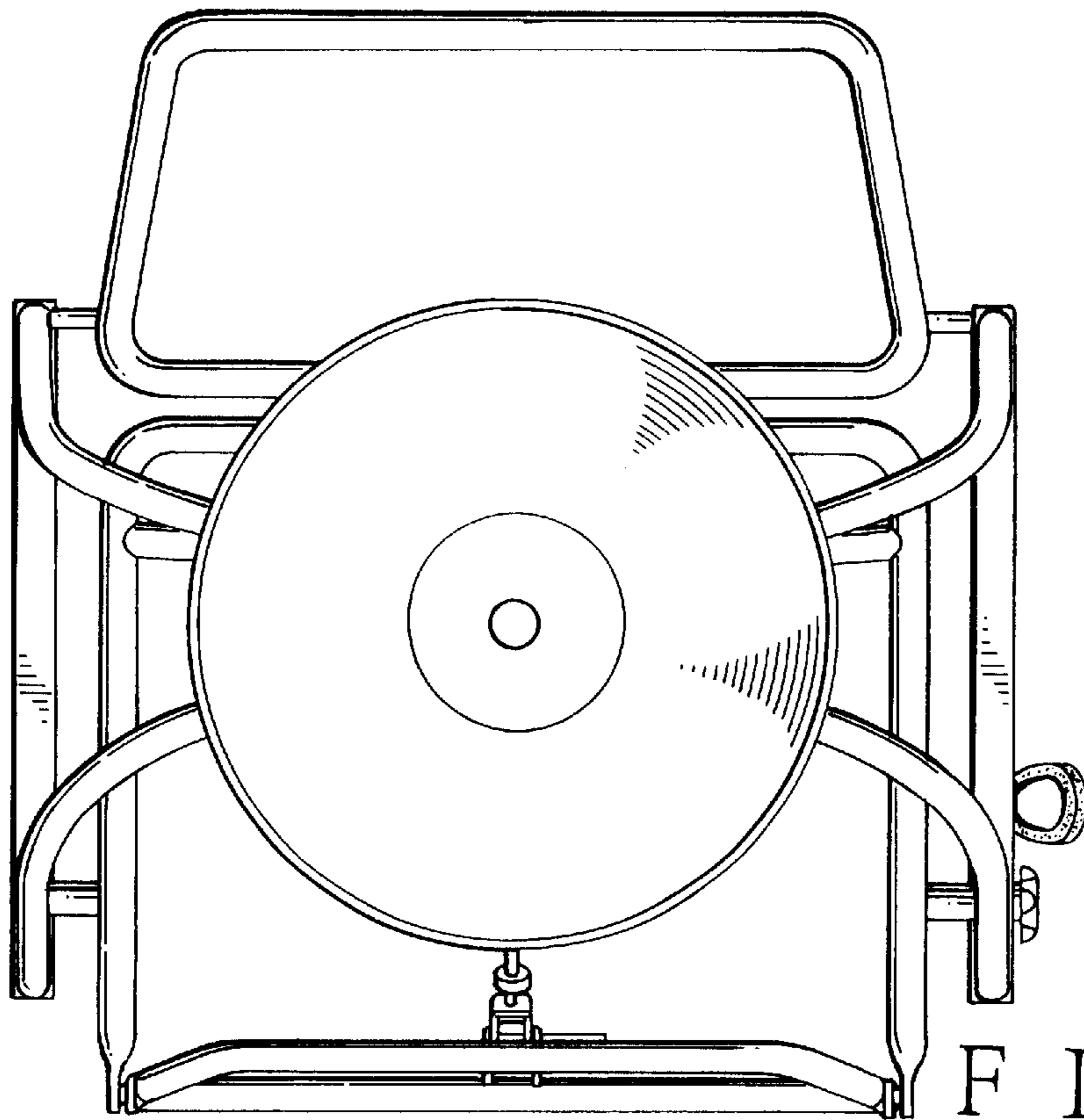


FIG. 4



F I G . 6



F I G . 7

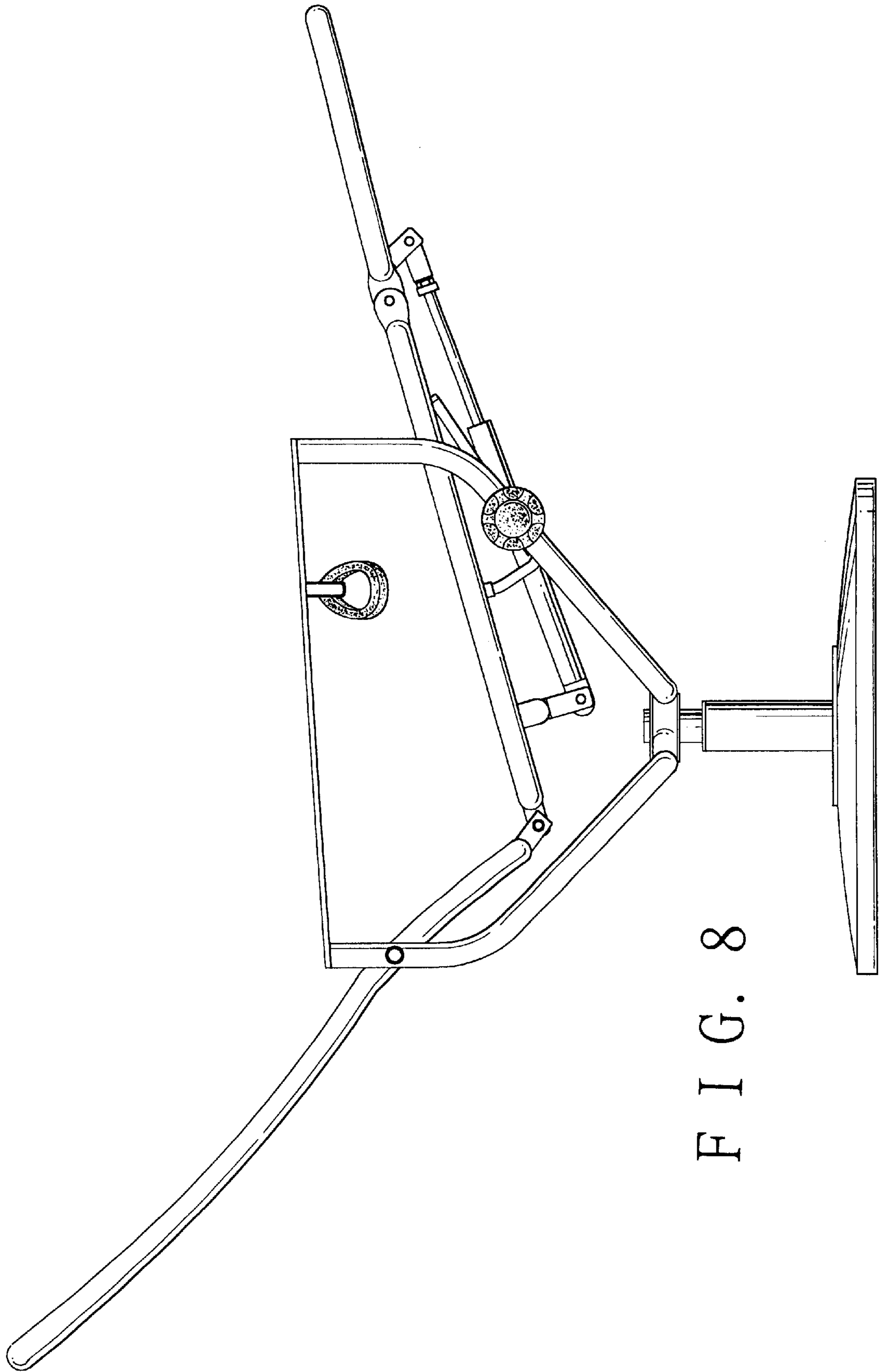


FIG. 8