



US00D448938B1

(12) **United States Design Patent**
Ng et al.

(10) **Patent No.:** **US D448,938 S**

(45) **Date of Patent:** **** Oct. 9, 2001**

(54) **MOBILE TABLE WITH BENCHES**

(75) Inventors: **Bryce Ng**, Chicago; **Johnny Larsen**,
Crystal Lake, both of IL (US)

(73) Assignee: **Midwest Folding Products**, Chicago,
IL (US)

(**) Term: **14 Years**

3,101,064	8/1963	Kanzelberger	108/113
3,109,678	11/1963	Wilson	297/159
3,212,463	10/1965	Anderson et al.	108/113
3,245,363	4/1966	Amthor, Jr. et al.	108/113
3,337,262	8/1967	Katzfey et al.	297/159
3,411,823	11/1968	Bue	297/349
3,477,760	11/1969	Bue et al.	297/157
3,536,356	10/1970	Wilson	297/239
3,580,632	5/1971	Seymour	297/157
3,715,143	2/1973	Gerken et al.	297/159

(21) Appl. No.: **29/124,739**

(List continued on next page.)

(22) Filed: **Jun. 9, 2000**

OTHER PUBLICATIONS

(51) **LOC (7) Cl.** **06-01**

Promotional flier entitled "Round Stool Unit Comparison"
erroneously dated Apr. 17, 1998.

(52) **U.S. Cl.** **D6/337**

Primary Examiner—Doris V. Coles

Assistant Examiner—Elizabeth A. Albert

(58) **Field of Search** D6/335, 336, 337,
D6/338, 342, 429; 312/235.9; 297/135

(74) *Attorney, Agent, or Firm*—McDermott, Will & Emery

(56) **References Cited**

(57) **CLAIM**

U.S. PATENT DOCUMENTS

The ornamental design for a mobile table with benches, as
shown and described.

Re. 24,454	4/1958	Wilson	311/92
D. 194,038	11/1962	Preston	33/14
D. 211,886	8/1968	Benjamin	33/14
D. 244,409	5/1977	Arnold	D6/45
D. 250,151	11/1978	Pingel	6/45
D. 256,633 *	9/1980	Shumaker	D6/337
D. 268,971	5/1983	Reineman	D6/337
D. 330,127 *	10/1992	Song	D6/429
D. 369,913	5/1996	Noll	D6/337
D. 413,734	9/1999	Bue	6/337
D. 432,797 *	10/2000	Schilling et al.	D6/337
D. 439,060 *	3/2001	Larsen	D6/337
1,339,232	5/1920	St. John et al. .	
2,702,585	2/1955	Wilson	155/124
2,717,631	9/1955	Howe	155/124
2,721,778	10/1955	Wilson	311/89
2,730,417	1/1956	Mitchell	311/92
2,739,860	3/1956	Wilson	311/16.5
2,771,937	11/1956	Wilson	155/124
2,969,245	1/1961	Wilson	280/41
3,028,197	4/1962	Wilson	297/124
3,055,705	9/1962	Wilson	297/159
3,075,809	1/1963	Wilson	297/159
3,099,480	7/1963	Wilson	297/159
3,099,481	7/1963	Bue	297/159

DESCRIPTION

FIG. 1 is a perspective view of the design of the present
invention;

FIG. 2 is a front elevational view of the design of the present
invention;

FIG. 3 is a right-side elevational view of the design of the
present invention;

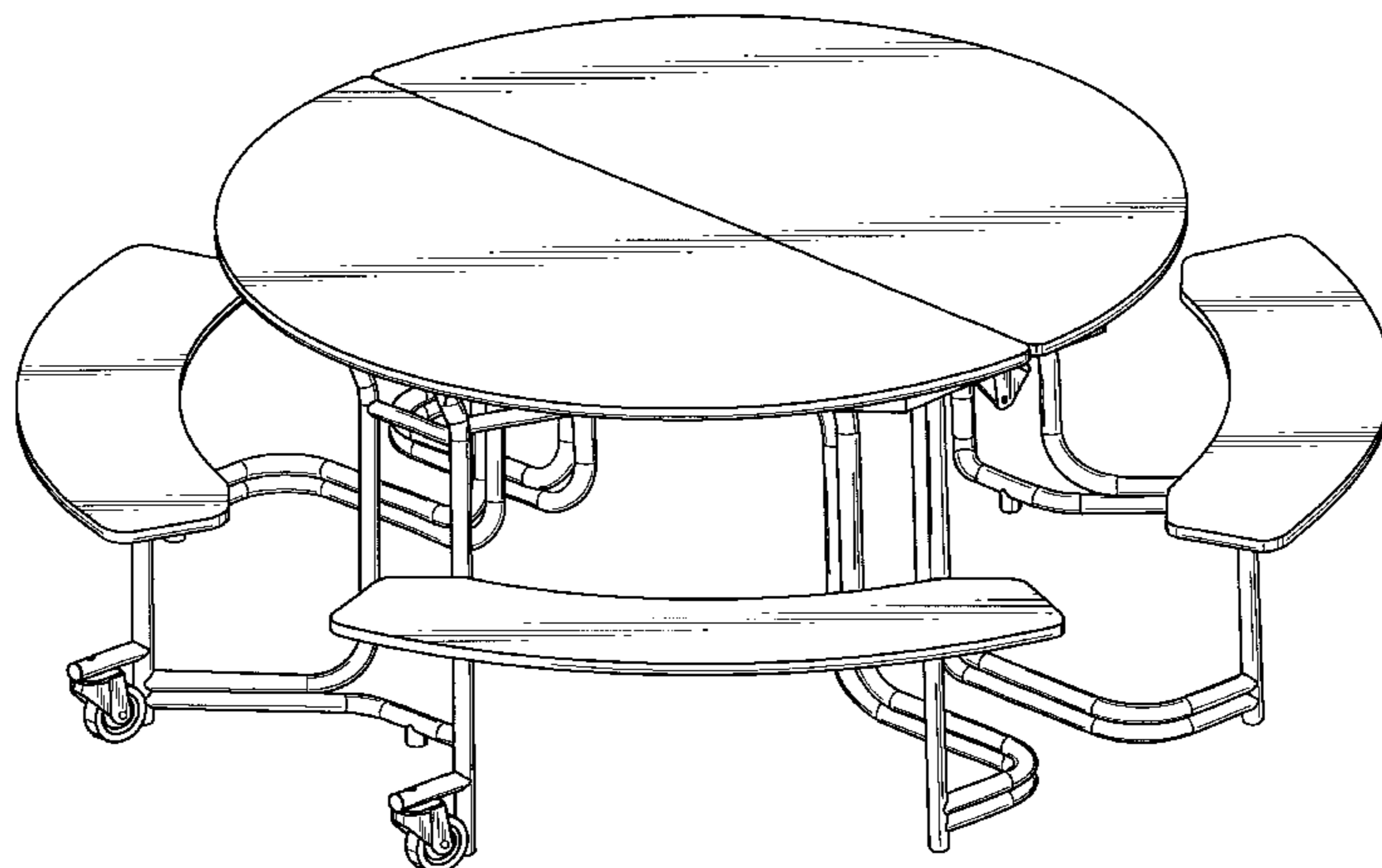
FIG. 4 is a top plan view of the design of the present
invention;

FIG. 5 is a bottom plan view of the design of the present
invention; and,

FIG. 6 is a perspective view of the design of the present
invention in an alternate position.

The rear elevational view of the design is the same as the
front elevational view thereof and the left-side elevational
view of the design is the same as the right-side elevational
view thereof.

1 Claim, 5 Drawing Sheets



US D448,938 S

Page 2

U.S. PATENT DOCUMENTS

4,052,100	10/1977	Nikitits et al.	297/159	4,826,244	5/1989	Choi	297/159
4,070,057	1/1978	Jones	297/159	4,883,314	11/1989	Sakong	297/159
4,131,311	12/1978	Nikitits et al.	297/159	4,932,333	6/1990	Jensen et al.	108/113
4,133,271	1/1979	Carlson	108/113	5,029,938	7/1991	Song	297/159
4,216,993 *	8/1980	Shumaker	D6/337	5,683,135	11/1997	Williams	297/159.1
4,249,773	2/1981	Giambalvo	297/159	5,794,540	8/1998	Dombrowski et al.	108/3
4,596,196	6/1986	Gunter et al.	108/113	6,010,185 *	1/2000	Petersen	D6/337
4,653,804	3/1987	Yoo et al.	297/159	6,065,802	5/2000	Bue	297/158.4
4,700,987	10/1987	Sraka et al.	297/159				

* cited by examiner

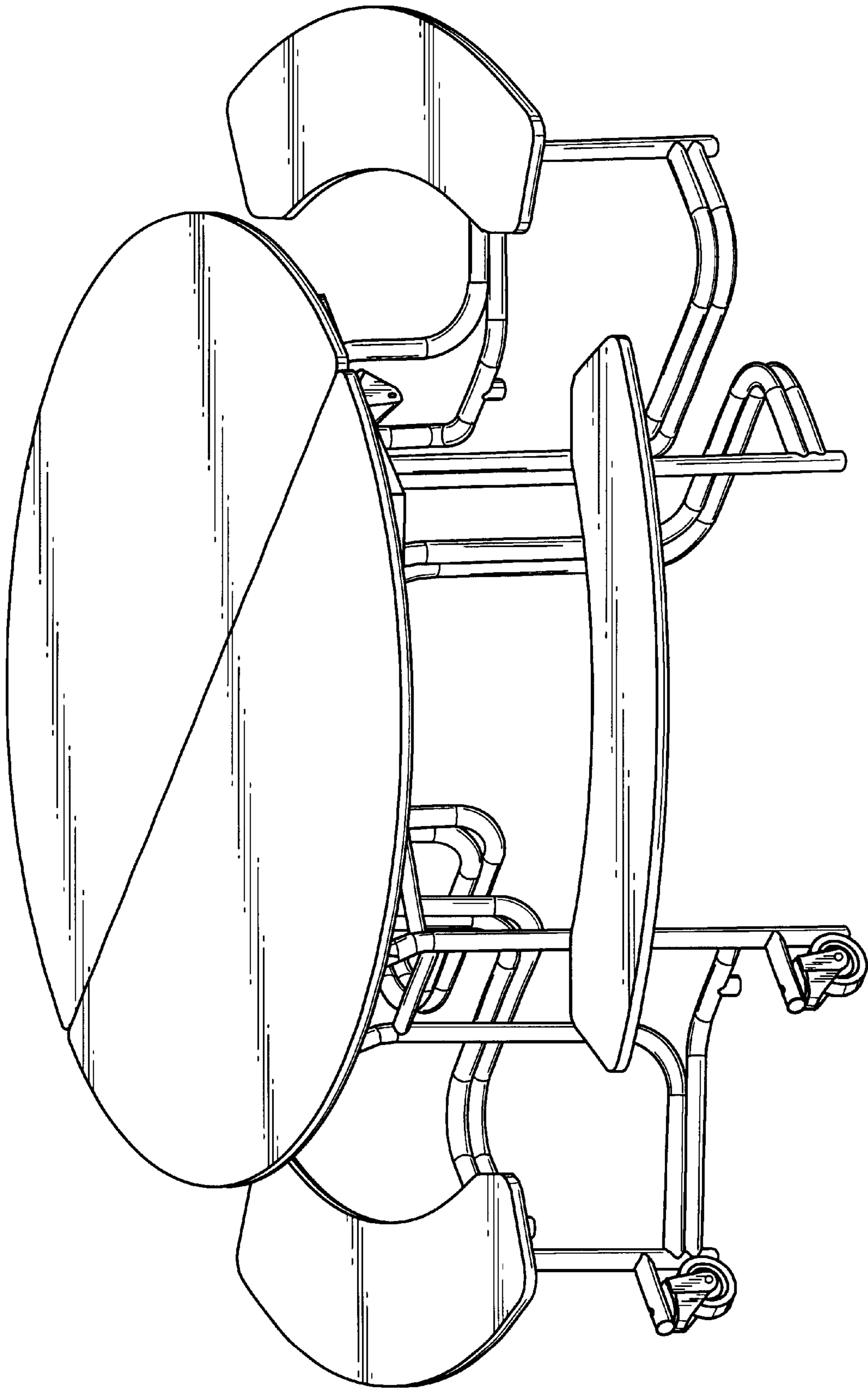


Fig. 1

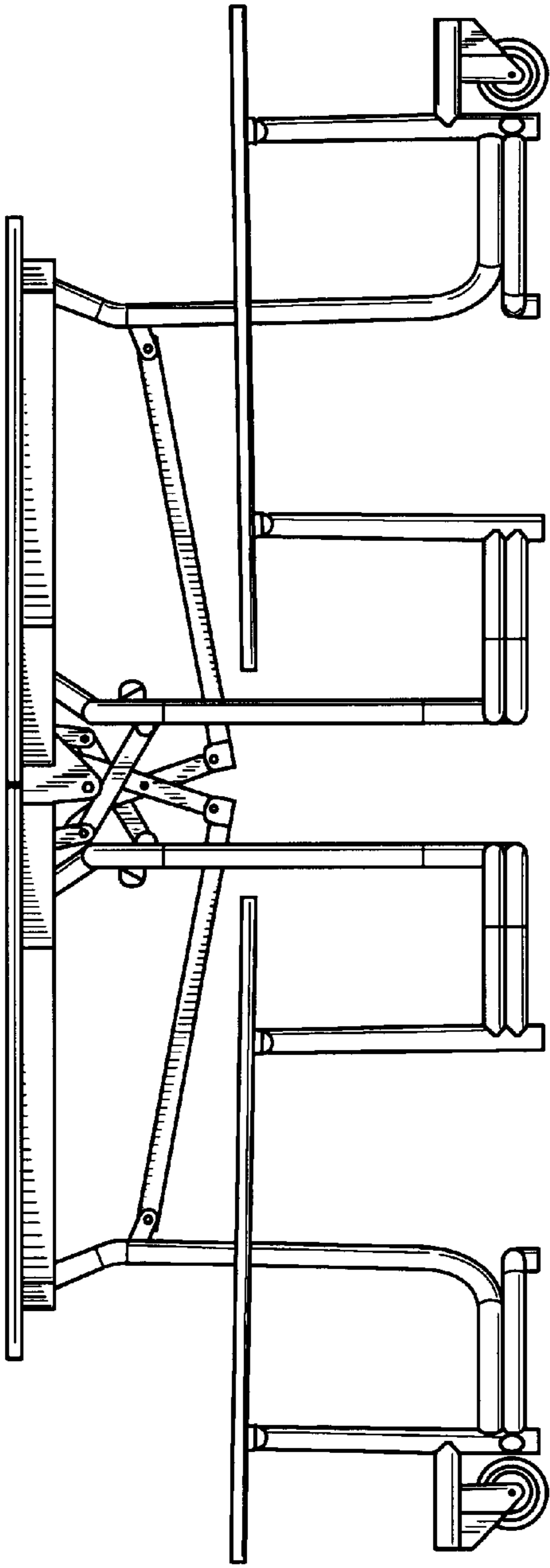


Fig. 2

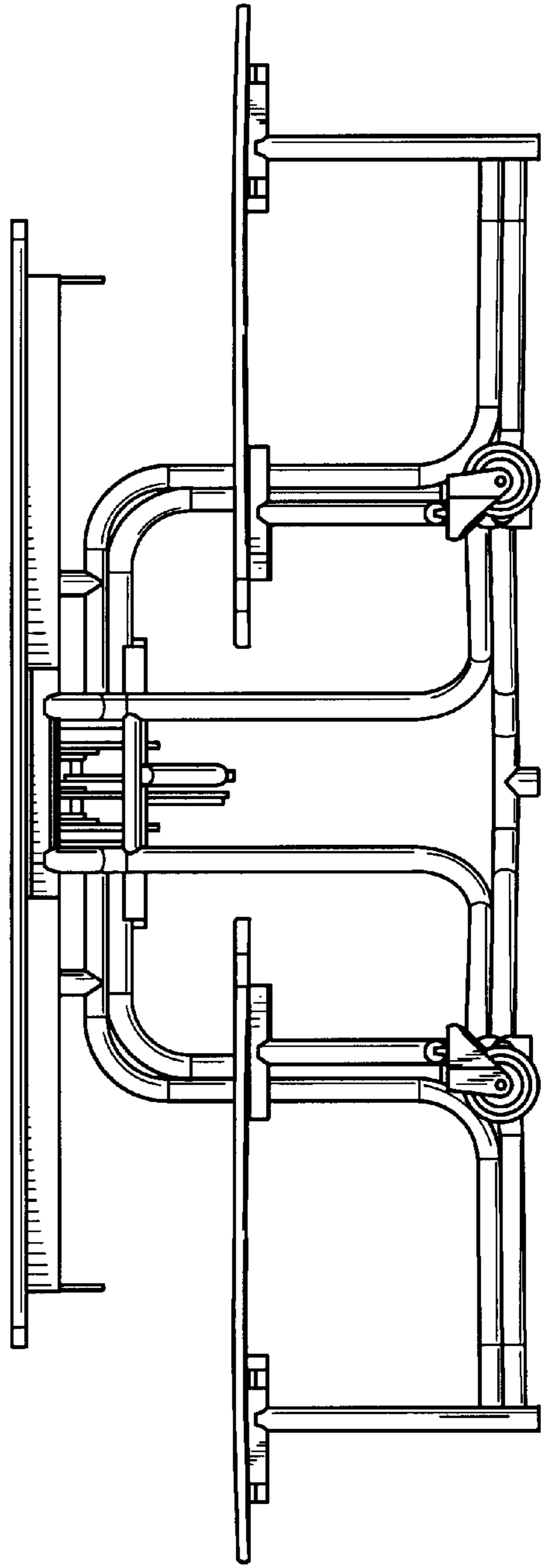


Fig. 3

Fig. 4

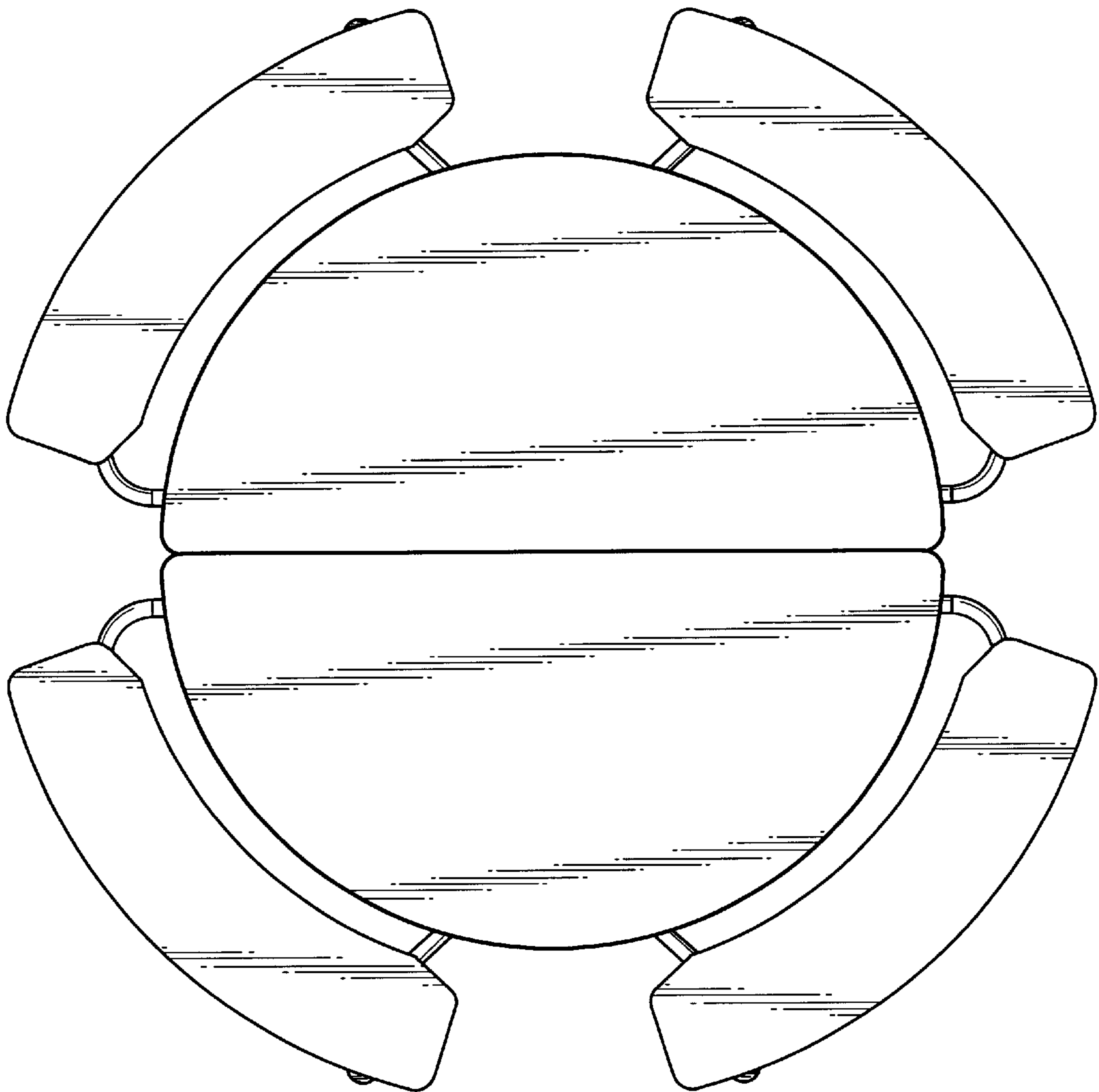
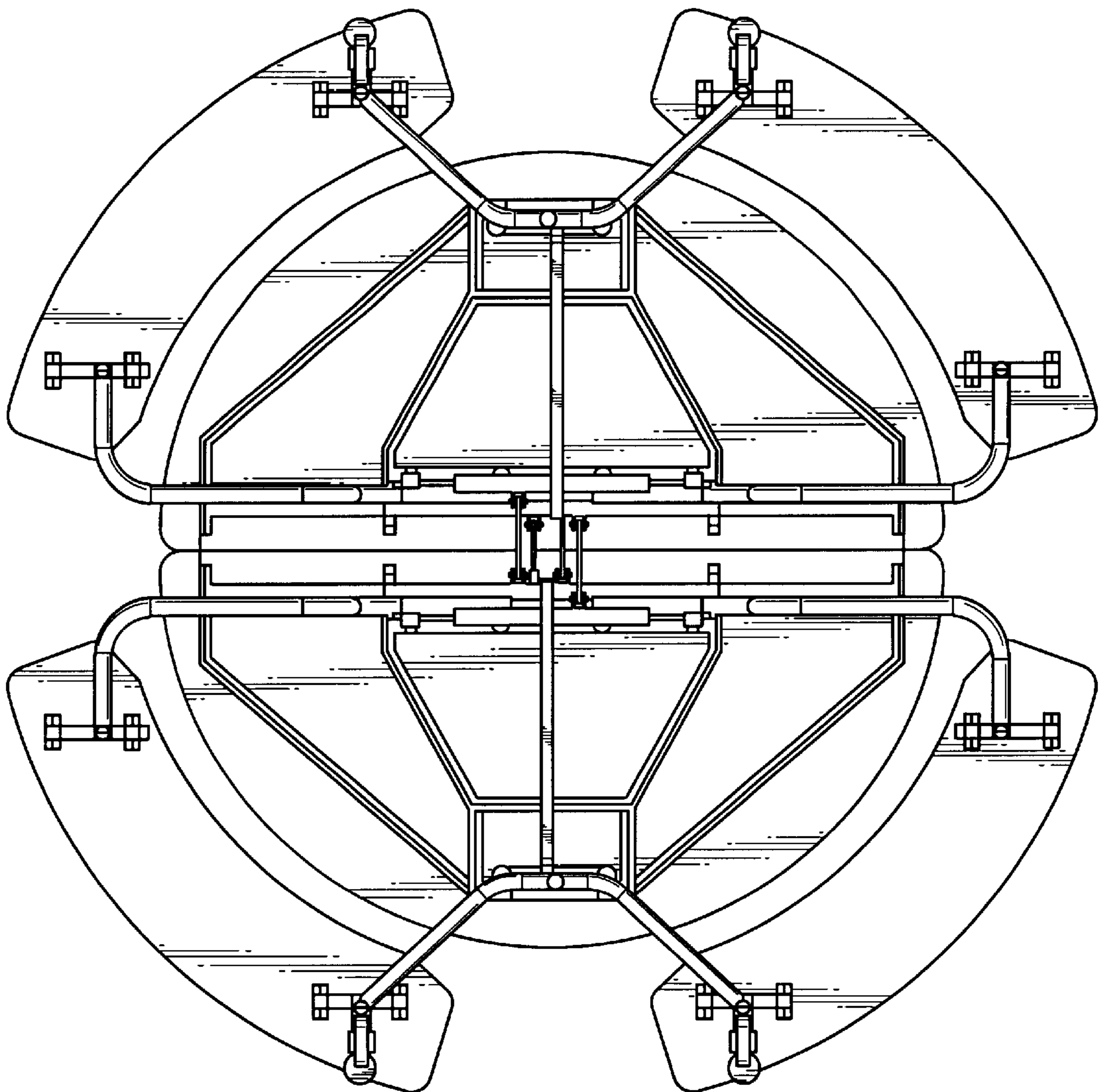


Fig. 5



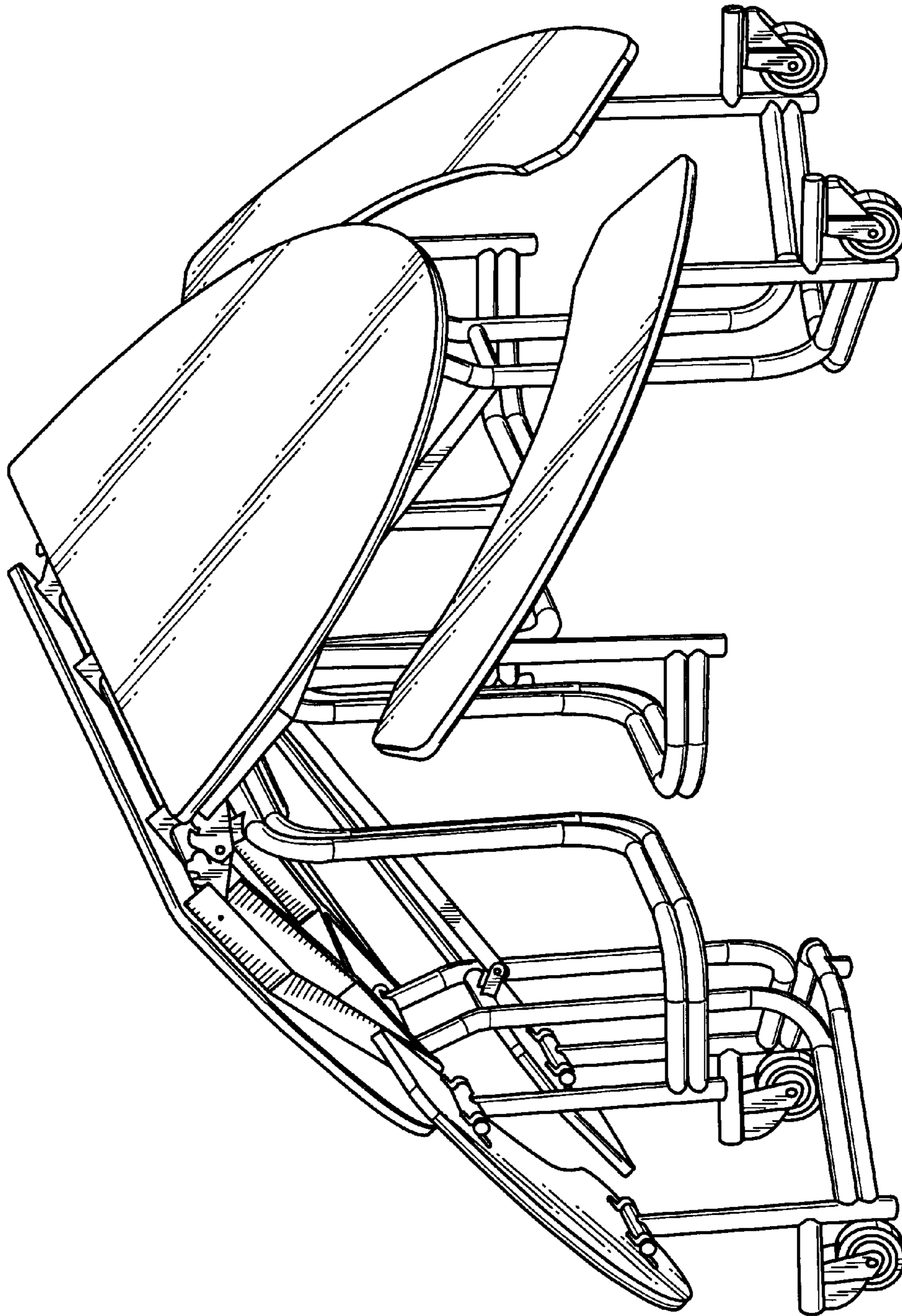


Fig. 6