



US00D448937B1

(12) **United States Design Patent**  
**Okolowicz**

(10) **Patent No.:** **US D448,937 S**

(45) **Date of Patent:** **\*\* Oct. 9, 2001**

(54) **WIRE GARMENT HANGER**

2,634,031 \* 4/1953 Klein .

(76) Inventor: **Thomas W. Okolowicz**, 12 Adie St.,  
Cranston, RI (US) 02920

\* cited by examiner

(\*\*) Term: **14 Years**

*Primary Examiner*—B. J. Bullock  
(74) *Attorney, Agent, or Firm*—Barlow, Josephs & Holmes,  
Ltd.

(21) Appl. No.: **29/136,753**

(57) **CLAIM**

(22) Filed: **Feb. 7, 2001**

The ornamental design for a wire garment hanger, as shown  
and described.

(51) **LOC (7) Cl.** ..... **06-08**

(52) **U.S. Cl.** ..... **D6/317; D6/318; D6/319**

(58) **Field of Search** ..... **D6/315, 317, 318,**  
**D6/319, 513; 211/113, 119; 223/85, 88,**  
**92, 95**

**DESCRIPTION**

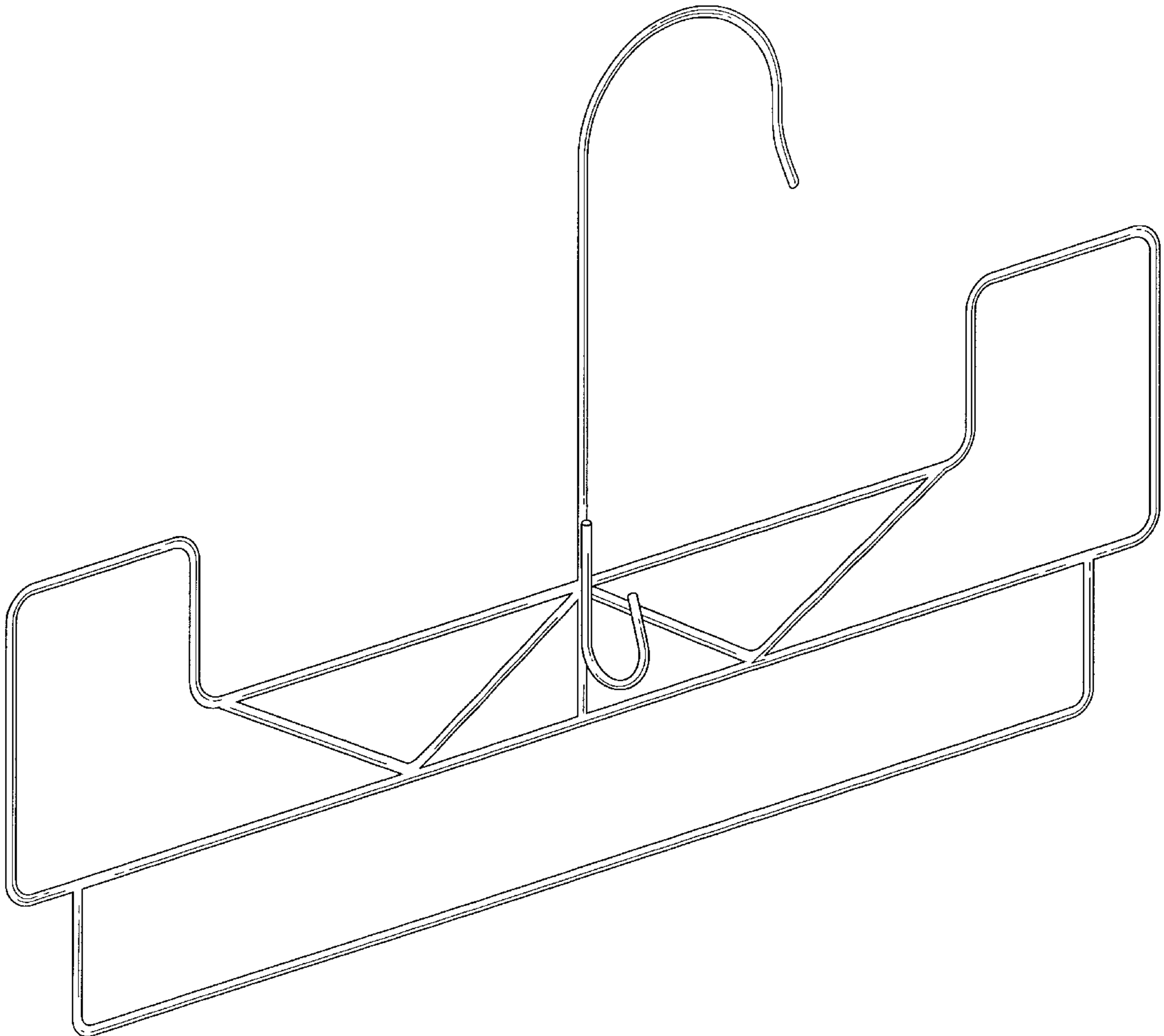
FIG. 1 is a perspective view showing my new design for a  
wire garment hanger;  
FIG. 2 is a front elevational view thereof;  
FIG. 3 is a left side view thereof;  
FIG. 4 is a top view thereof;  
FIG. 5 is a rear elevational view thereof;  
FIG. 6 is a right side view thereof; and,  
FIG. 7 is a bottom view thereof.

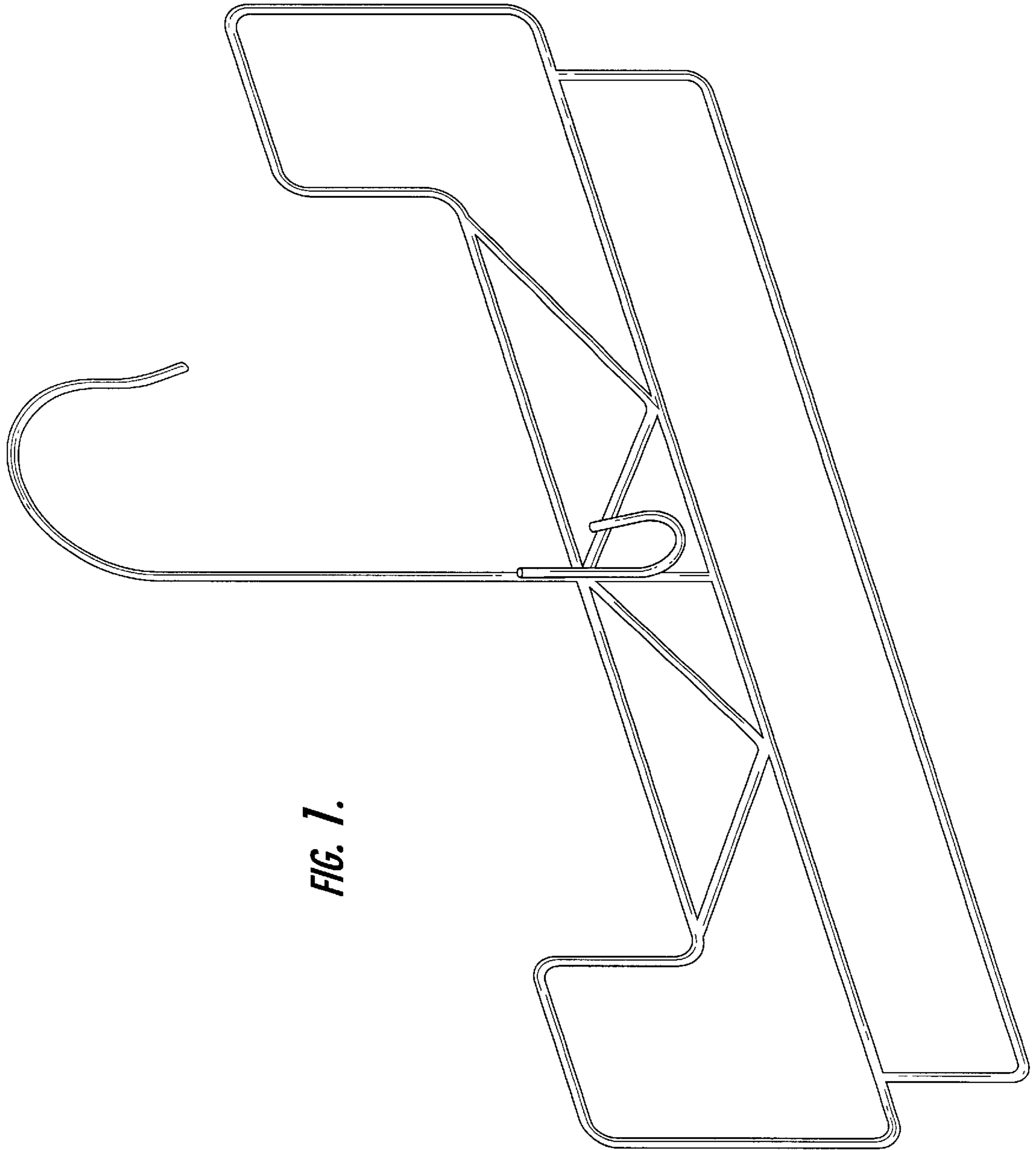
(56) **References Cited**

**U.S. PATENT DOCUMENTS**

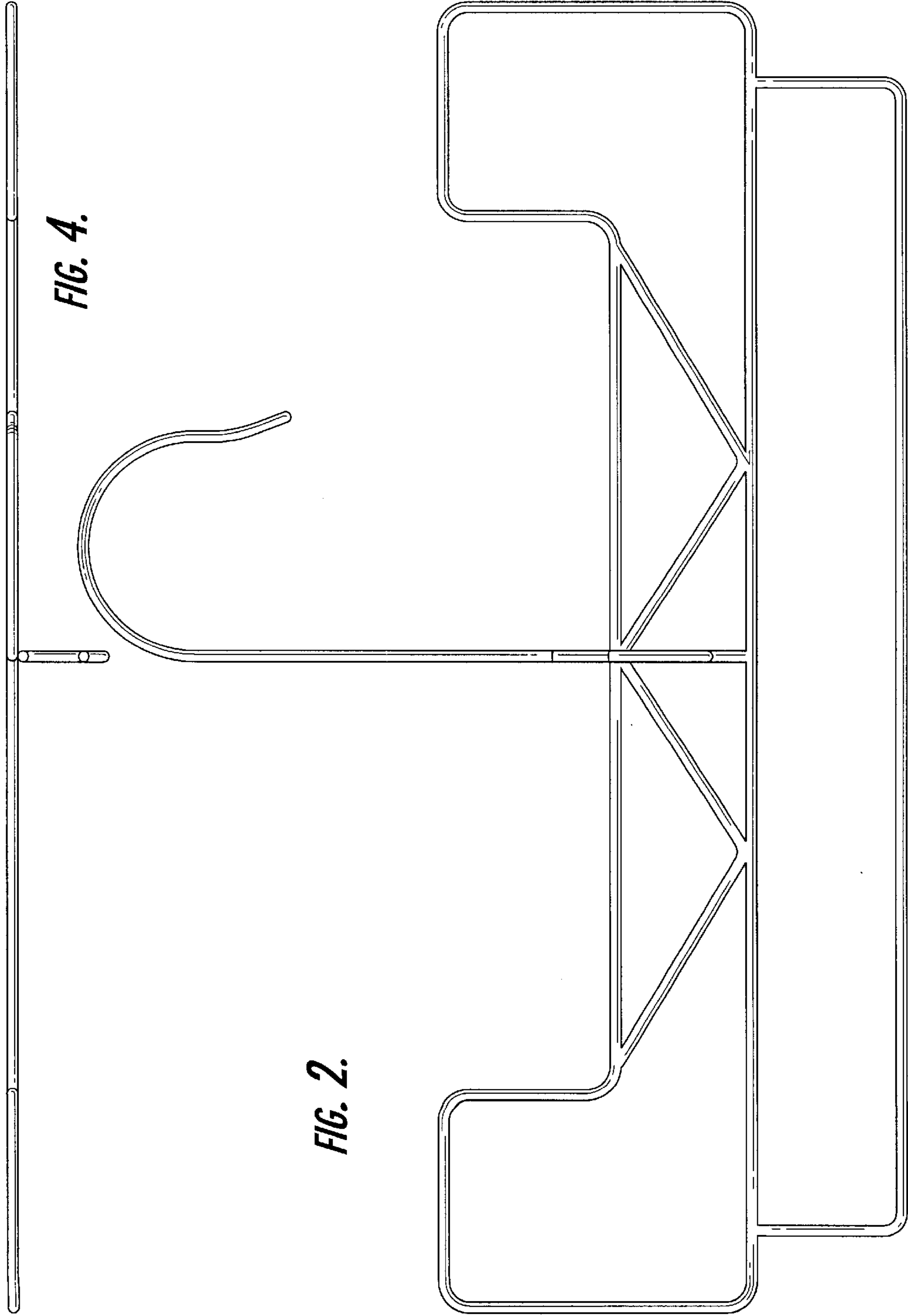
- D. 87,707 \* 9/1932 Bernat .
- D. 387,911 \* 12/1997 Albert .
- 1,099,261 \* 6/1914 Lewyt .
- 2,080,467 \* 5/1937 Feldman et al. .

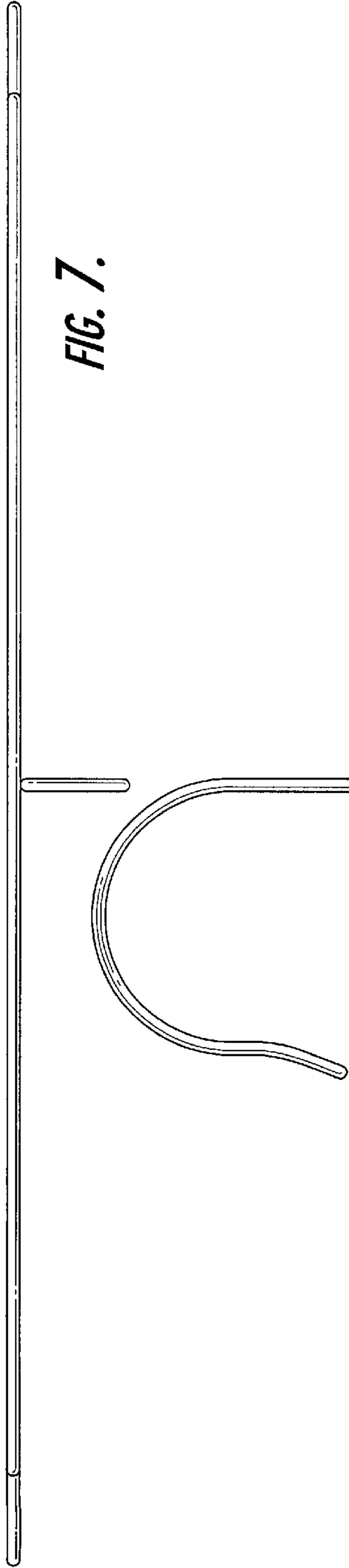
**1 Claim, 3 Drawing Sheets**



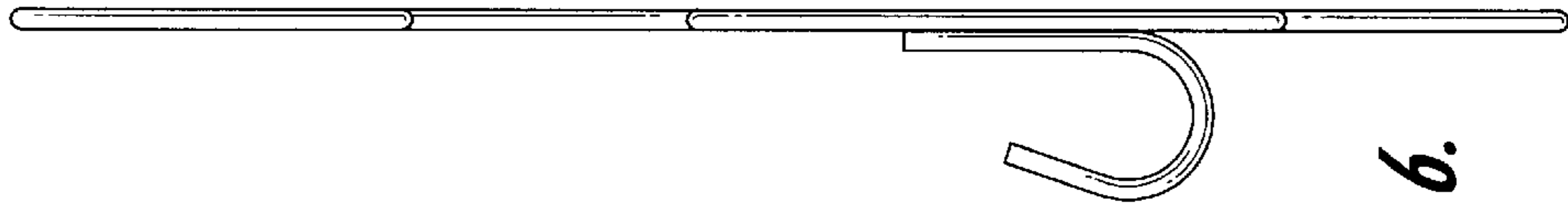


*FIG. 1.*

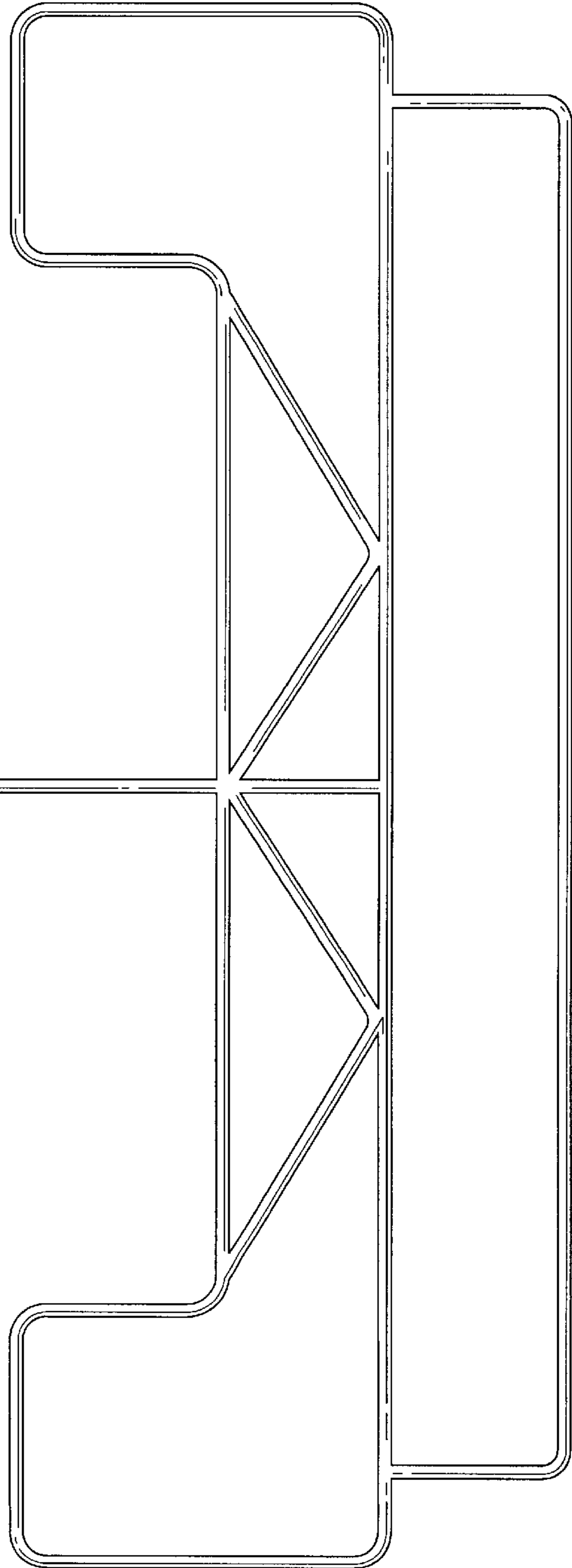




*FIG. 5.*



*FIG. 6.*



*FIG. 7.*