



US00D448929B1

(12) **United States Design Patent**  
**Burke**

(10) **Patent No.:** **US D448,929 S**

(45) **Date of Patent:** **\*\* Oct. 9, 2001**

(54) **EYEGLASS HOLDER**

(76) **Inventor:** **David Burke**, 4491 W. Park Dr., Bay City, MI (US) 48706

(\*\*) **Term:** **14 Years**

(21) **Appl. No.:** **29/109,822**

(22) **Filed:** **Aug. 24, 1999**

(51) **LOC (7) Cl.** ..... **03-01**

(52) **U.S. Cl.** ..... **D3/266; D3/270**

(58) **Field of Search** ..... D3/207, 247, 263, D3/265, 266; D9/314, 451, 529; 206/5, 6; 84/421; 211/85.1, 85.7; 248/316.2, 316.4, 316.7, 229, 309.1, 902

(56) **References Cited**

**U.S. PATENT DOCUMENTS**

D. 206,097	*	10/1966	Neiswanger	.....	D3/266
D. 213,253	*	1/1969	Moore	.....	D3/207
D. 258,046	*	1/1981	Richmond	.....	D9/529
D. 259,180	*	5/1981	Zeiger	.....	D9/451
D. 259,702	*	6/1981	Richmond	.....	D9/314
D. 260,527	*	9/1981	Engelmann	.....	D3/266
D. 305,340	*	1/1990	Stein	.....	D3/266

D. 320,025	*	9/1991	Horrall	.....	D3/266
D. 358,707		5/1995	Holt	.	
D. 379,871	*	6/1997	Hollinger	.....	D3/266
D. 408,629	*	4/1999	Cortez	.....	D3/266
4,941,634	*	7/1990	Gomes et al.	.....	248/229.26

\* cited by examiner

*Primary Examiner*—Celia Murphy

(74) *Attorney, Agent, or Firm*—Reising, Ethington, Barnes, Kisselle, Learman & McCulloch, P.C.

(57) **CLAIM**

The ornamental design for an eyeglass holder, as shown and described.

**DESCRIPTION**

FIG. 1 is a front elevational view of the holder for eyeglasses showing my new design;

FIG. 2 is a rear elevational view thereof;

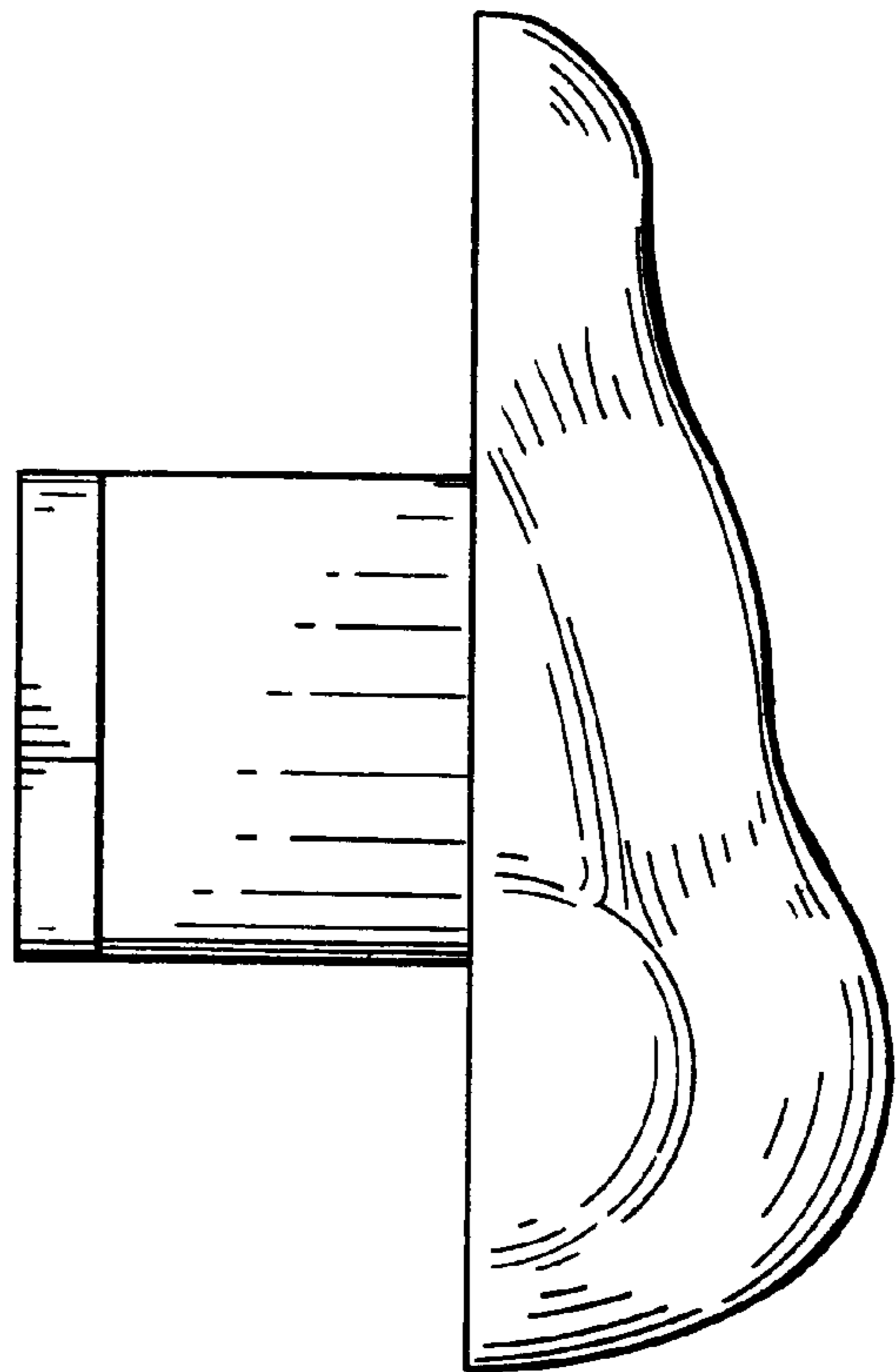
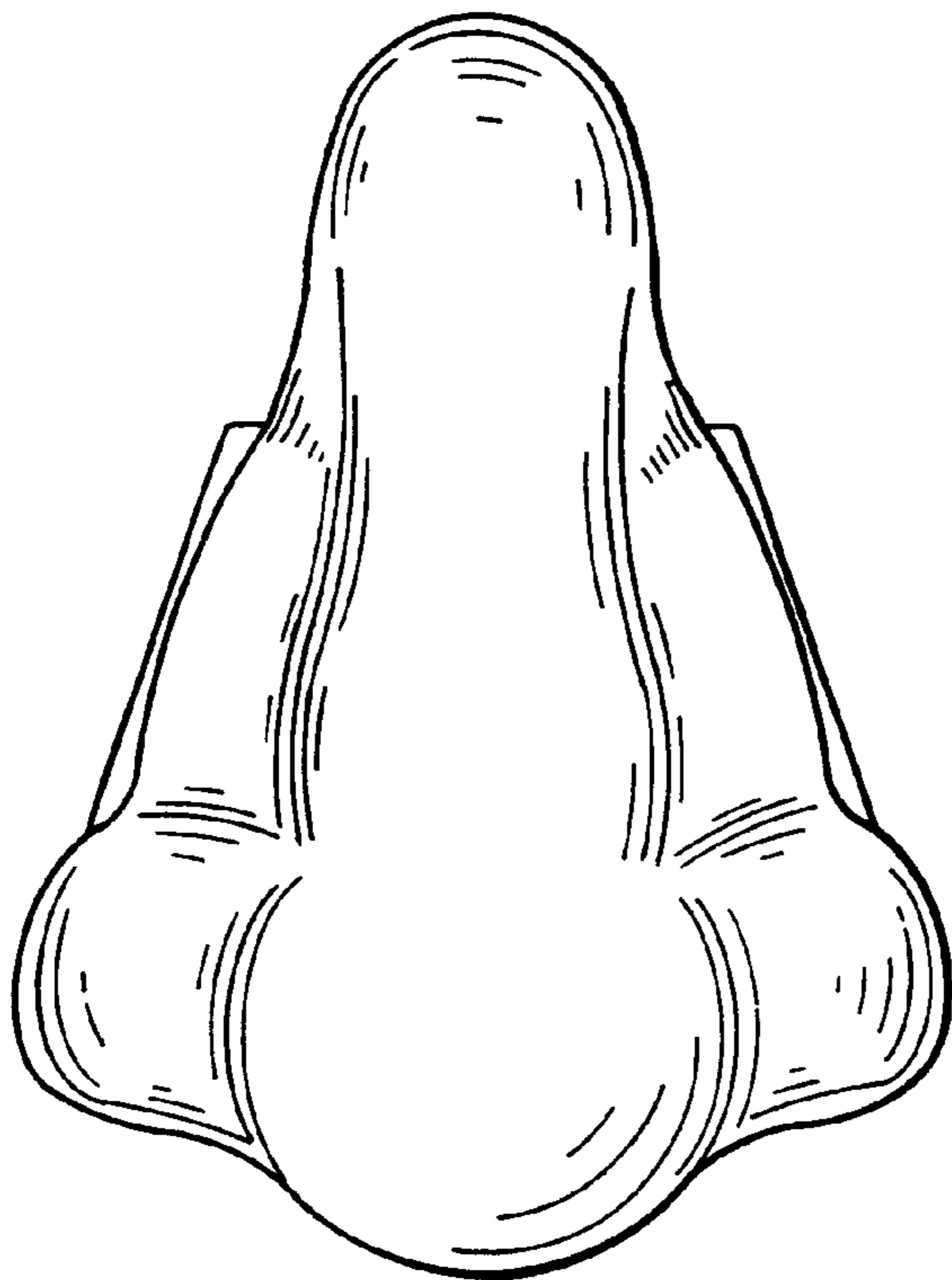
FIG. 3 is a side elevational view thereof;

FIG. 4 is a top plan view thereof; and,

FIG. 5 is a bottom view thereof.

Any portion which is not shown is not part of the claimed design.

**1 Claim, 1 Drawing Sheet**



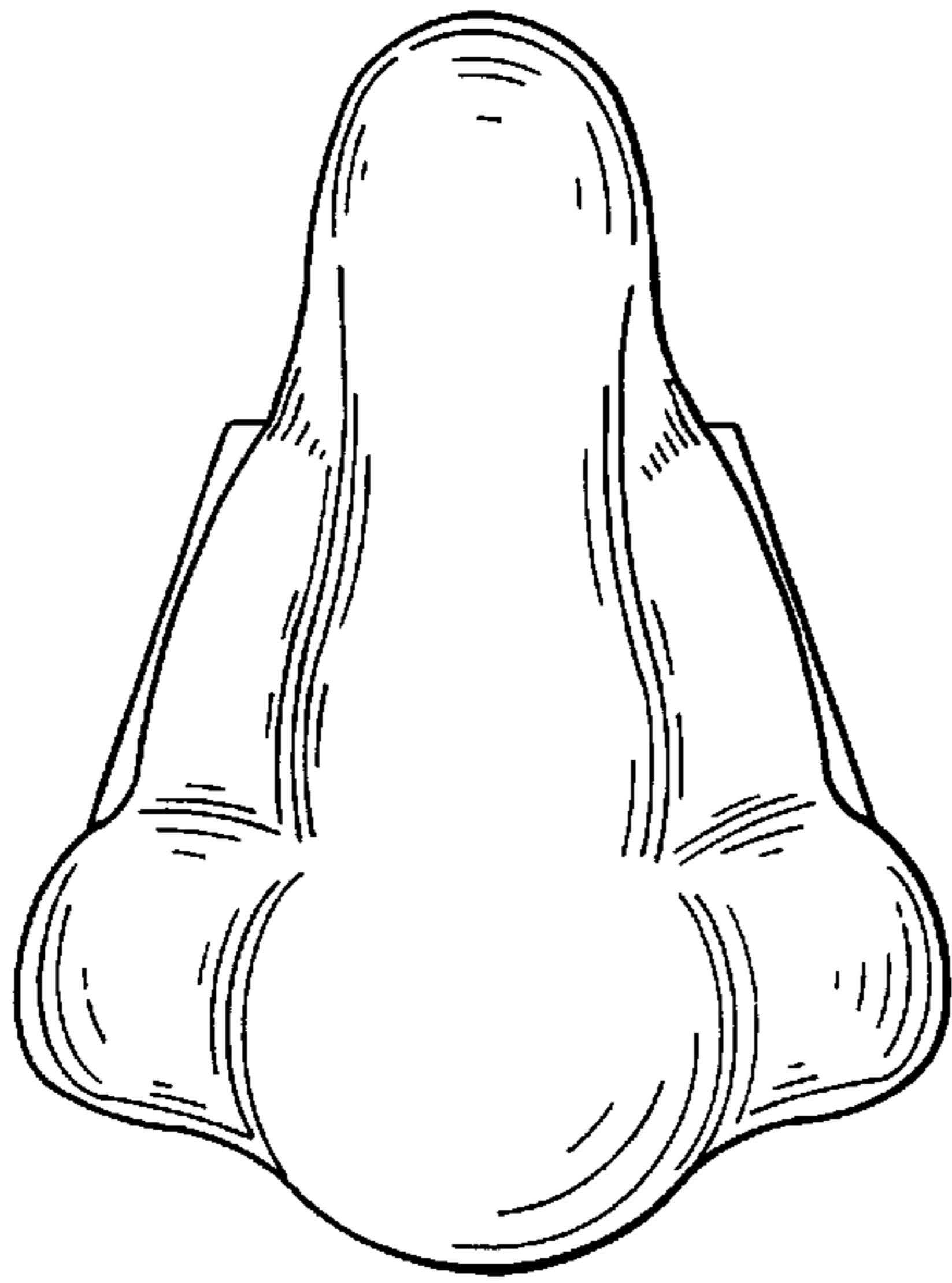


FIG-1

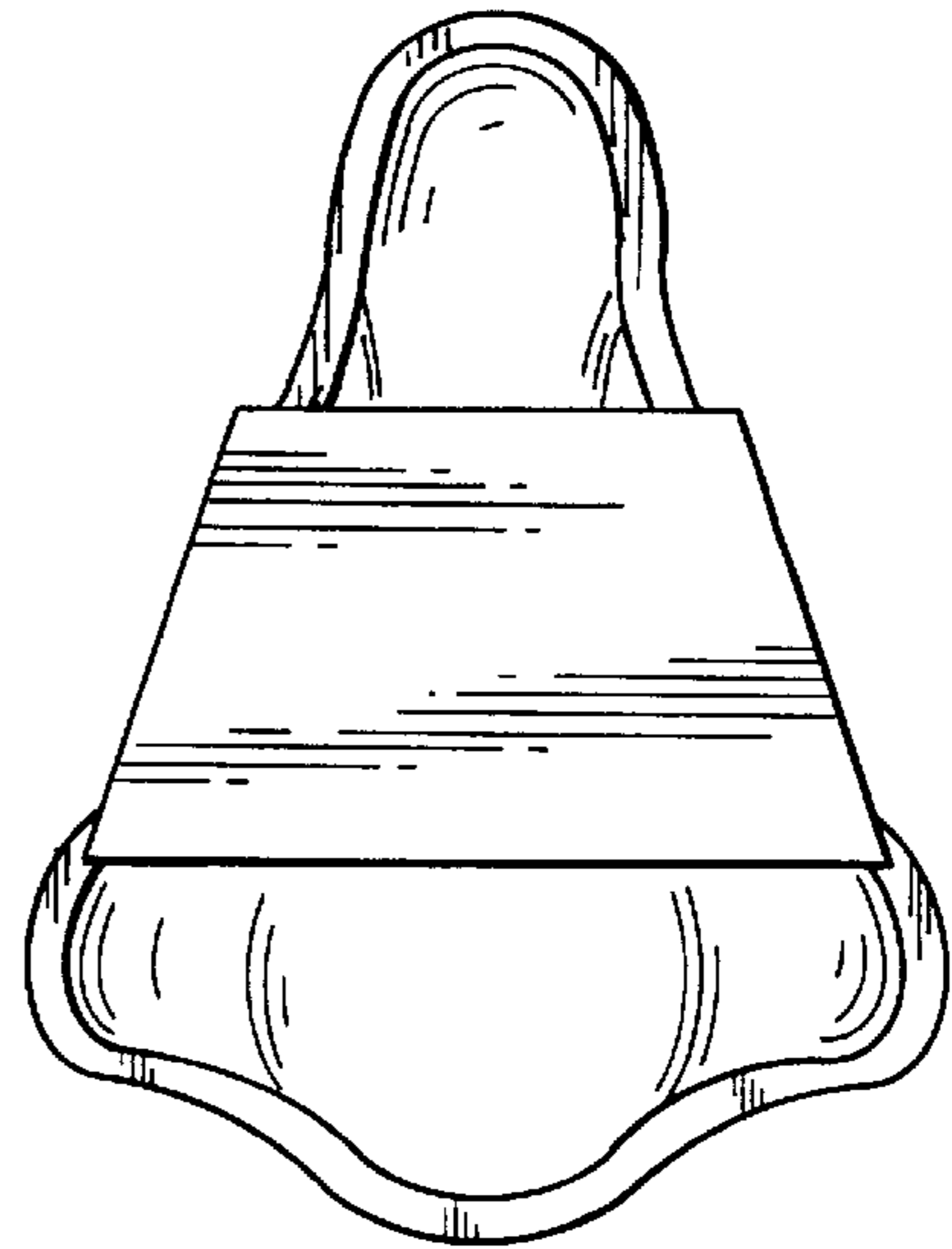


FIG-2

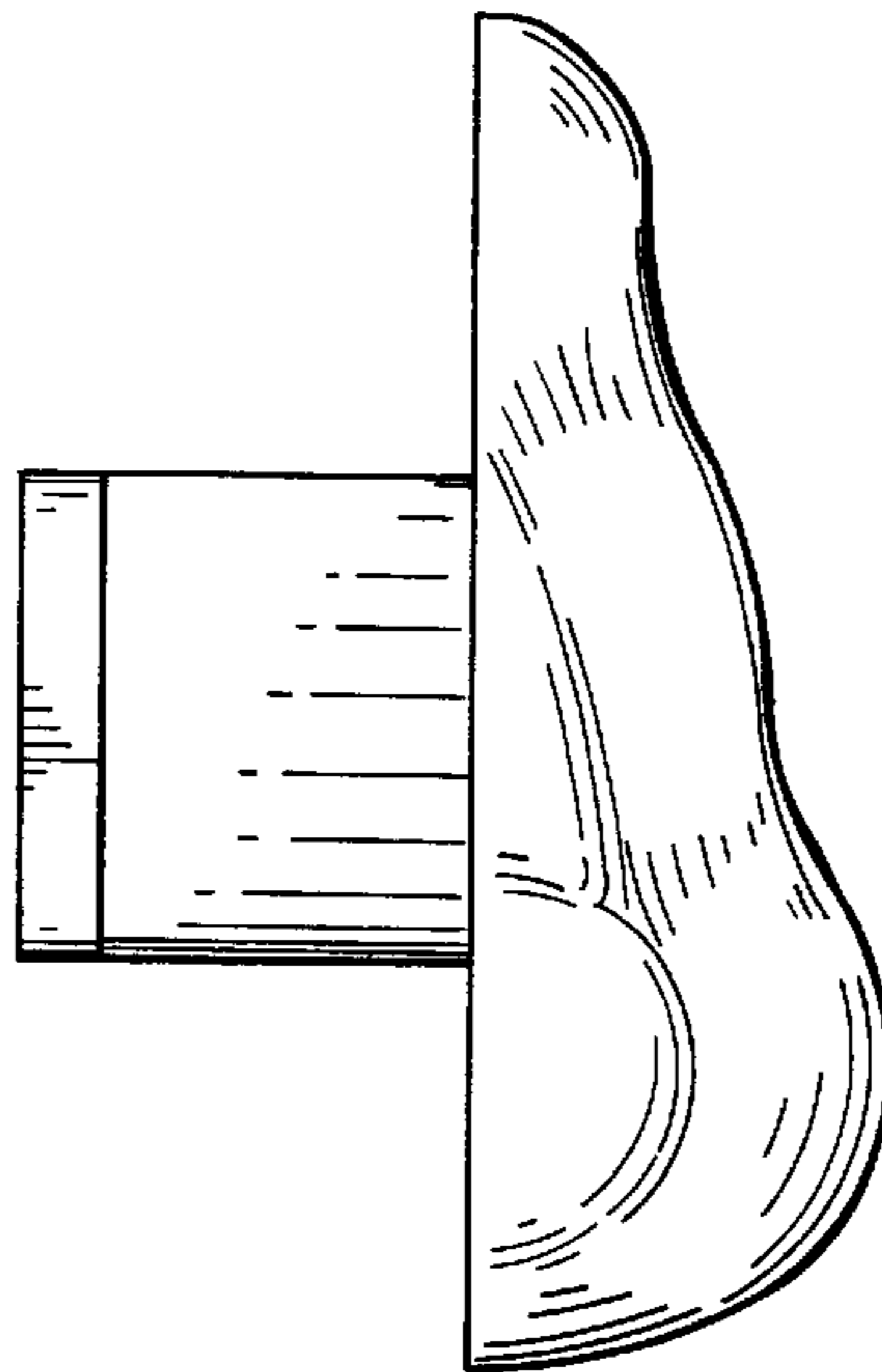


FIG-3

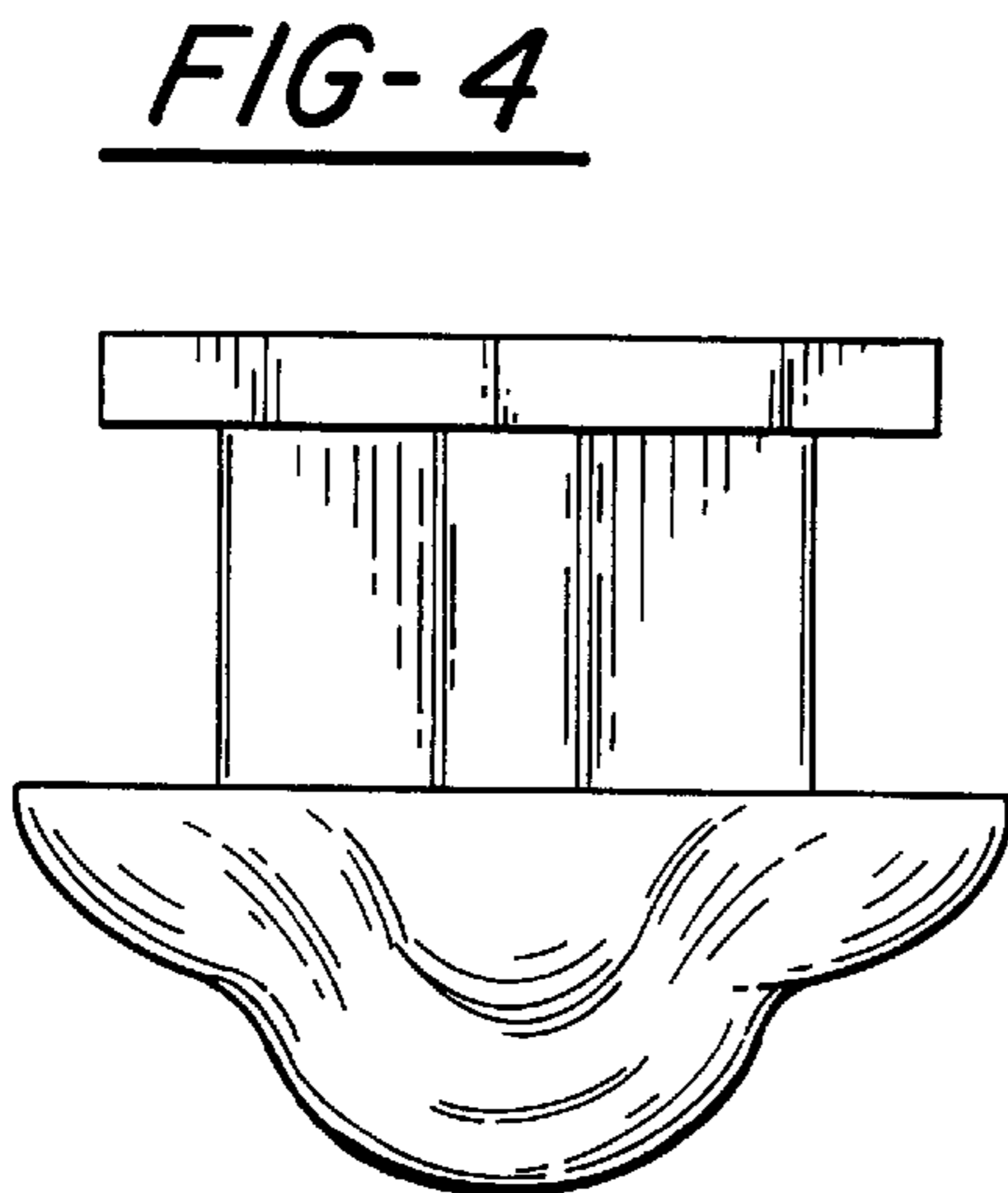


FIG-4

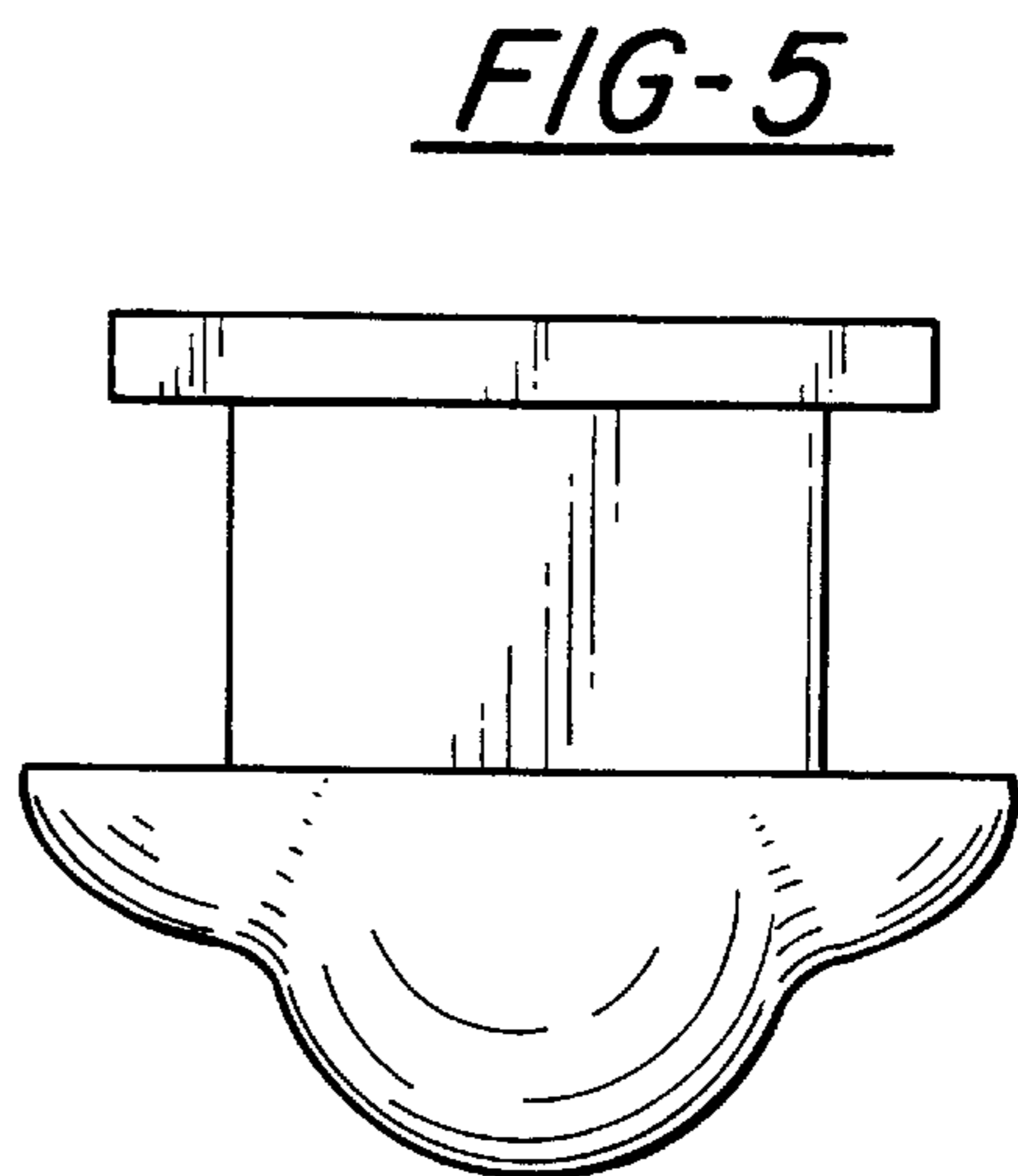


FIG-5