



US00D448927B1

(12) **United States Design Patent** (10) **Patent No.:** **US D448,927 S**
Vazquez (45) **Date of Patent:** **** Oct. 9, 2001**

(54) **TOTE BAG WITH CIRCULAR POCKET**

(75) Inventor: **Maximino Vazquez**, New York, NY (US)

(73) Assignee: **Maxworld, Inc.**, New York, NY (US)

(**) Term: **14 Years**

(21) Appl. No.: **29/114,657**

(22) Filed: **Nov. 29, 1999**

(51) **LOC (7) Cl.** **03-01**

(52) **U.S. Cl.** **D3/244**

(58) **Field of Search** D3/232, 233, 238, D3/244, 245, 246, 303; 150/103, 106, 110, 112; 190/109; 383/4, 38, 39, 40, 41, 71, 72, 74, 75, 117, 907

(56) **References Cited**

U.S. PATENT DOCUMENTS

D. 132,300	*	5/1942	Meltzer	D3/244
D. 138,069	*	6/1944	Sloane et al.	D3/244
D. 205,756		9/1966	Triplett	D9/2
D. 250,737		1/1979	Brosk	D2/226
D. 258,998		4/1981	Pratt et al.	D3/41
D. 341,486		11/1993	Frank	D3/42
D. 350,024		8/1994	Ryker	D3/202
D. 385,452		10/1997	Marti	D6/601
D. 389,642		1/1998	Nadel	D3/254
D. 418,974		1/2000	Vazquez	D3/226
910,875	*	1/1909	Slade	150/106
1,479,137	*	1/1924	Guinzberg	383/907
1,491,711		4/1924	Levine	
1,600,633	*	9/1926	Hildebrand	383/907
2,123,447		7/1938	Waite	2/48
2,493,085		3/1950	Pincus	150/1.7
3,322,176		5/1967	Geller	150/1.7
4,301,549		11/1981	Ingram	2/250
4,838,709		6/1989	Guerrero et al.	383/18
5,799,336		9/1998	Cooper	2/247
5,809,576		9/1998	Hutson et al.	2/247
5,881,383		3/1999	Perkins	2/144
5,988,879	*	11/1999	Bredderman et al.	150/112 X

* cited by examiner

Primary Examiner—Louis S. Zarfaz
Assistant Examiner—Monica A. Weingart
(74) *Attorney, Agent, or Firm*—Darby & Darby

(57) **CLAIM**

The ornamental design for a tote bag with circular pocket, as shown and described.

DESCRIPTION

FIG. 1 is a front elevational view of a tote bag with circular pocket in an uncinched state, the bag being made of a first preselected fabric in at least one of a color and a pattern and being shown with a combined carry strap and cinch mechanism, the rear elevational view being a mirror image thereof;

FIG. 2 is a right side elevational view of the bag of FIG. 1, the left side elevational view being a mirror image thereof;

FIG. 3 is a front elevational view of the bag of FIG. 1 now shown in a cinched state, the rear elevational view being a mirror image thereof;

FIG. 4 is a right side elevational view of the bag of FIG. 2 now shown in a cinched state, the left side elevational view being a mirror image thereof;

FIG. 5 is a top plan view of the bag of FIG. 1, showing the circular pocket at the bottom thereof;

FIG. 6 is a top plan view of the bag of FIG. 3, partially showing the circular pocket at the bottom thereof;

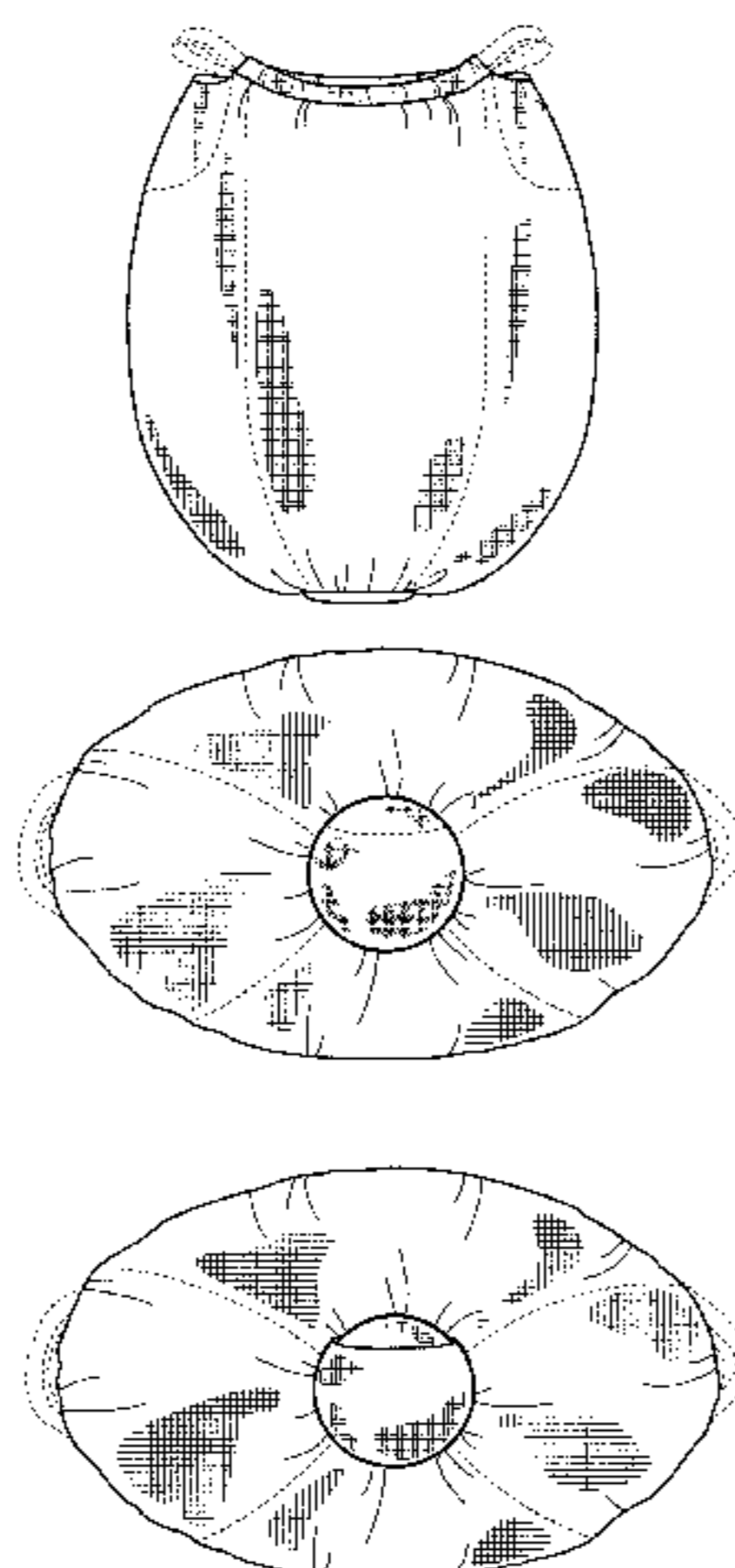
FIG. 7 is a bottom plan view of the bag of FIG. 1, showing the circular pocket and an access thereto;

FIG. 8 is the bottom plan view of FIG. 7, now showing the circular pocket in a second preselected fabric which is different than the first preselected fabric; and,

FIG. 9 is the bottom plan view of FIG. 7, now showing the circular pocket in a three-quarter open-pocket configuration.

The broken line showing of the seams, combined cinch mechanism and carry strap, and pocket access and/or closure, as well as the position of same relative to the claimed design and any other broken lines are to show the environment only and are not part of the claimed design.

1 Claim, 6 Drawing Sheets



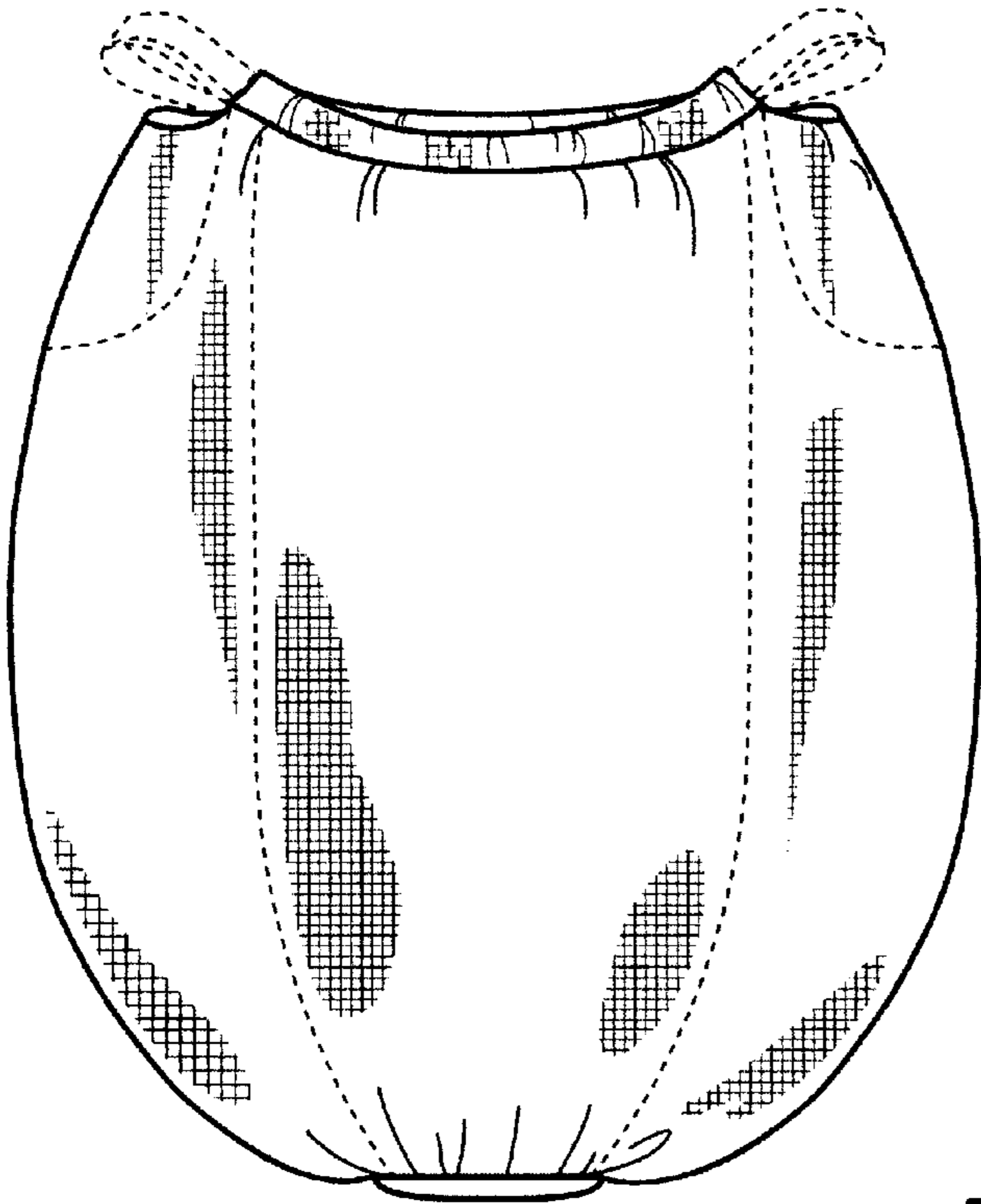


FIG. 1

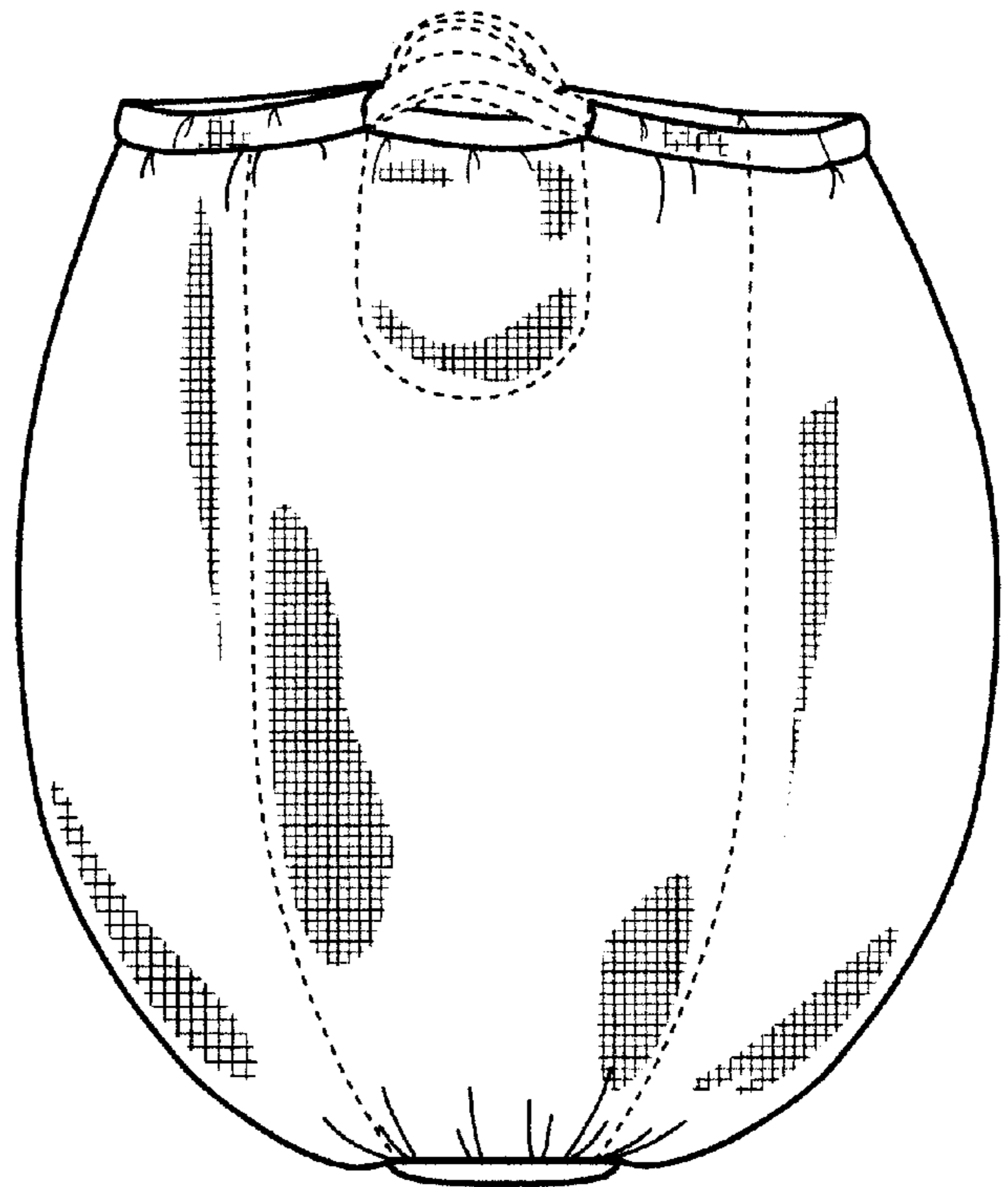


FIG. 2

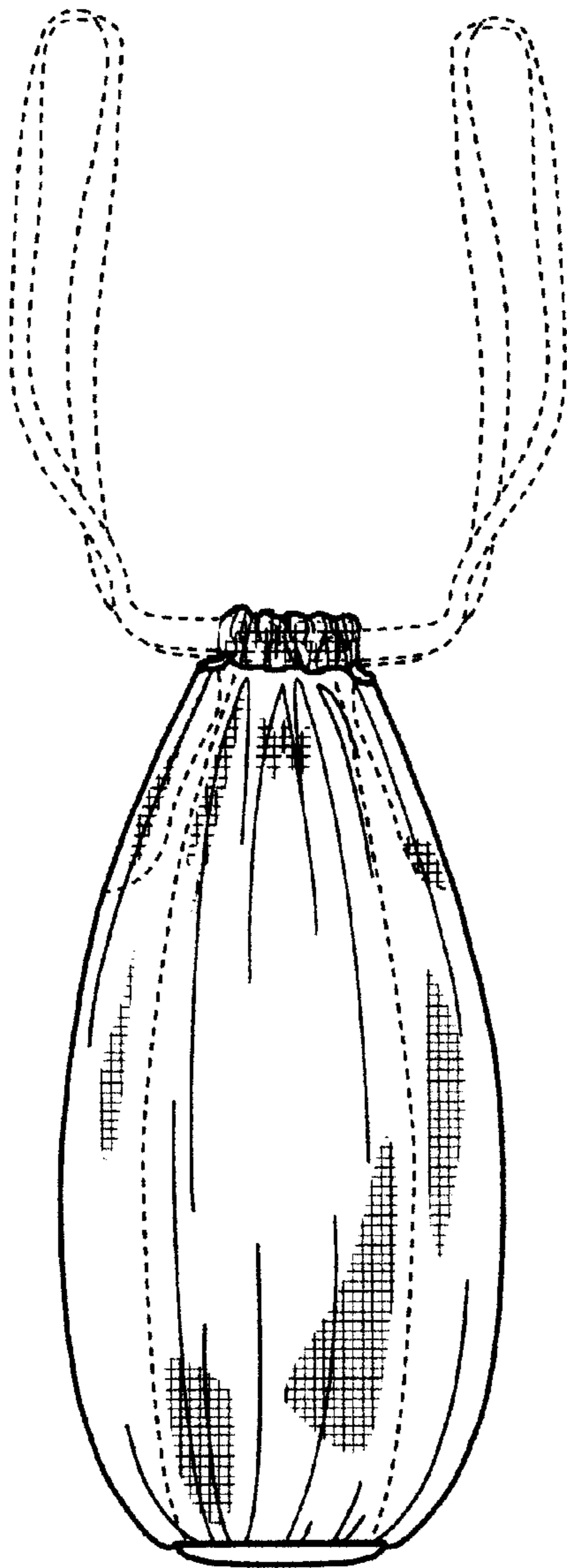


FIG. 3

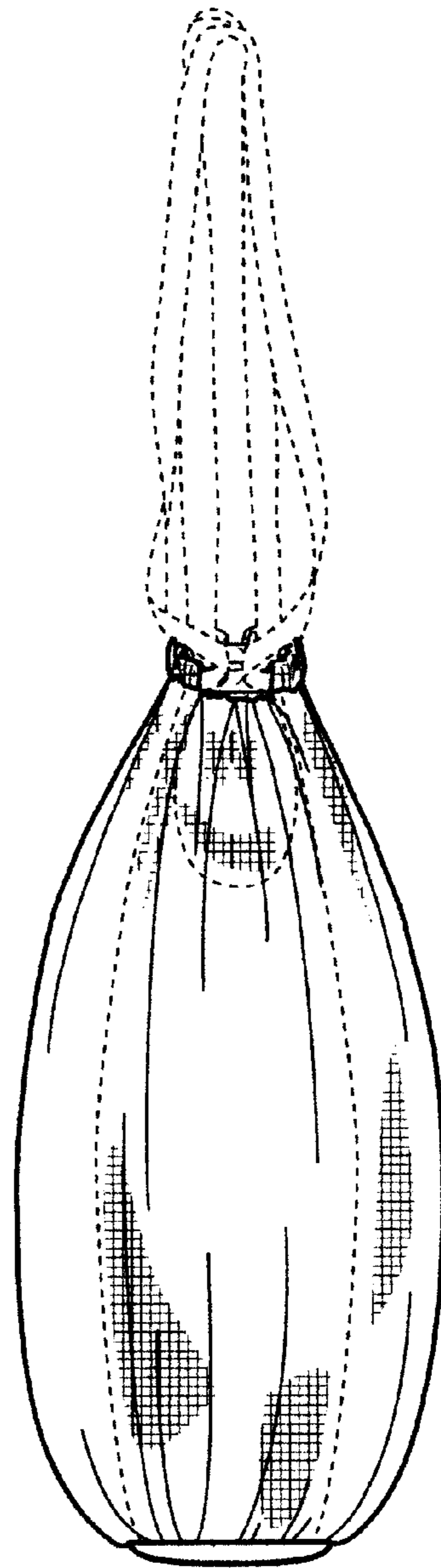


FIG. 4

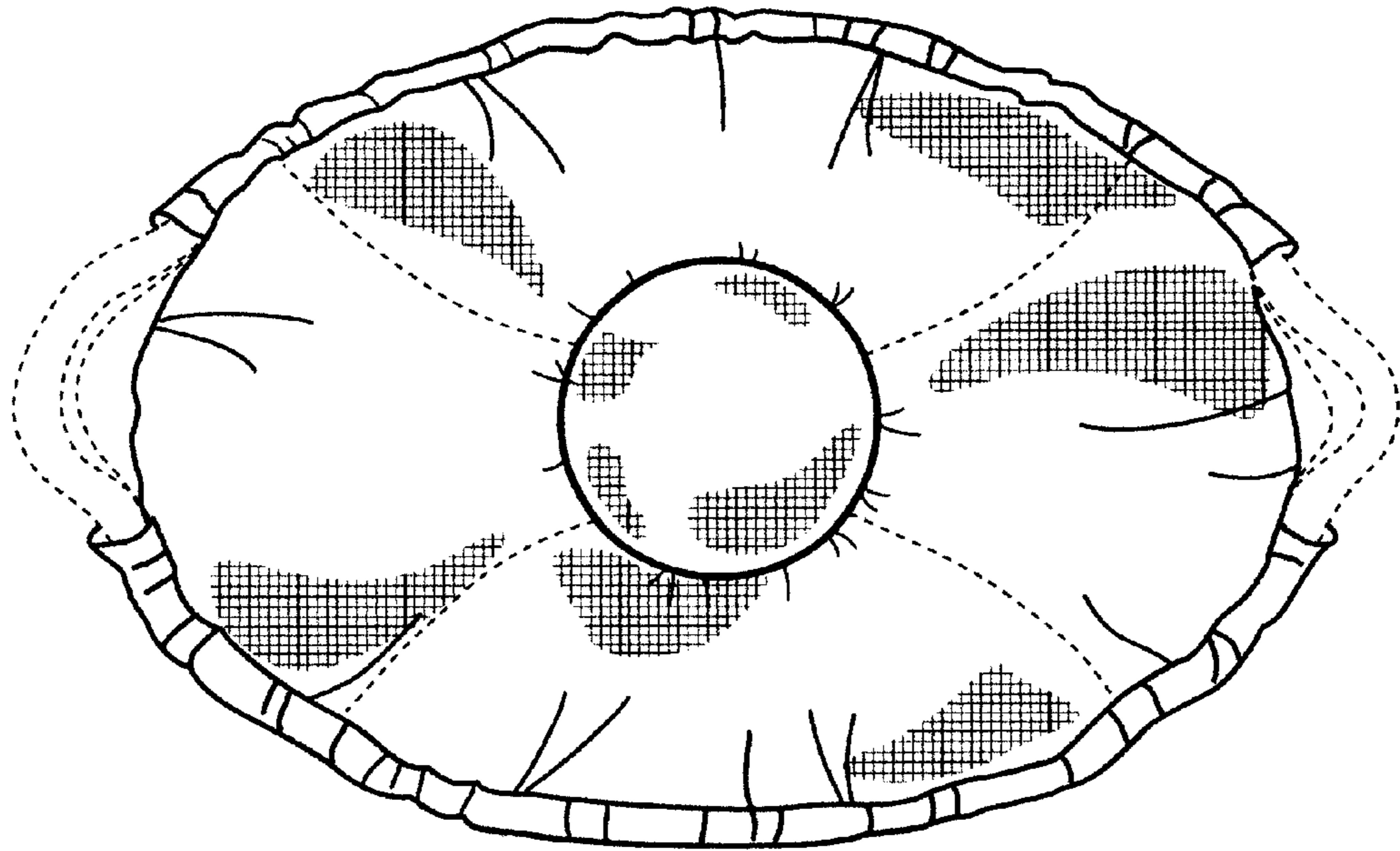


FIG. 5

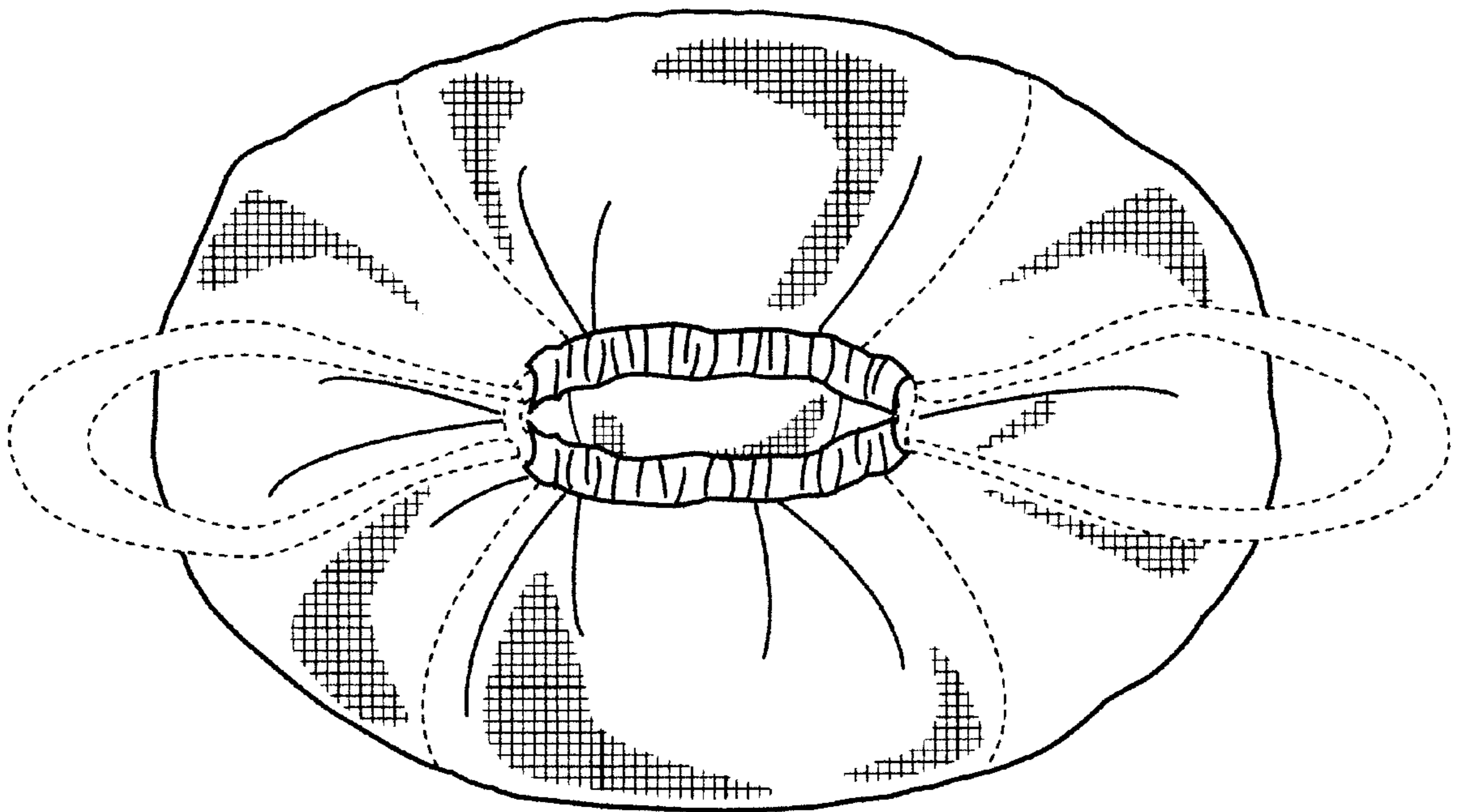


FIG. 6

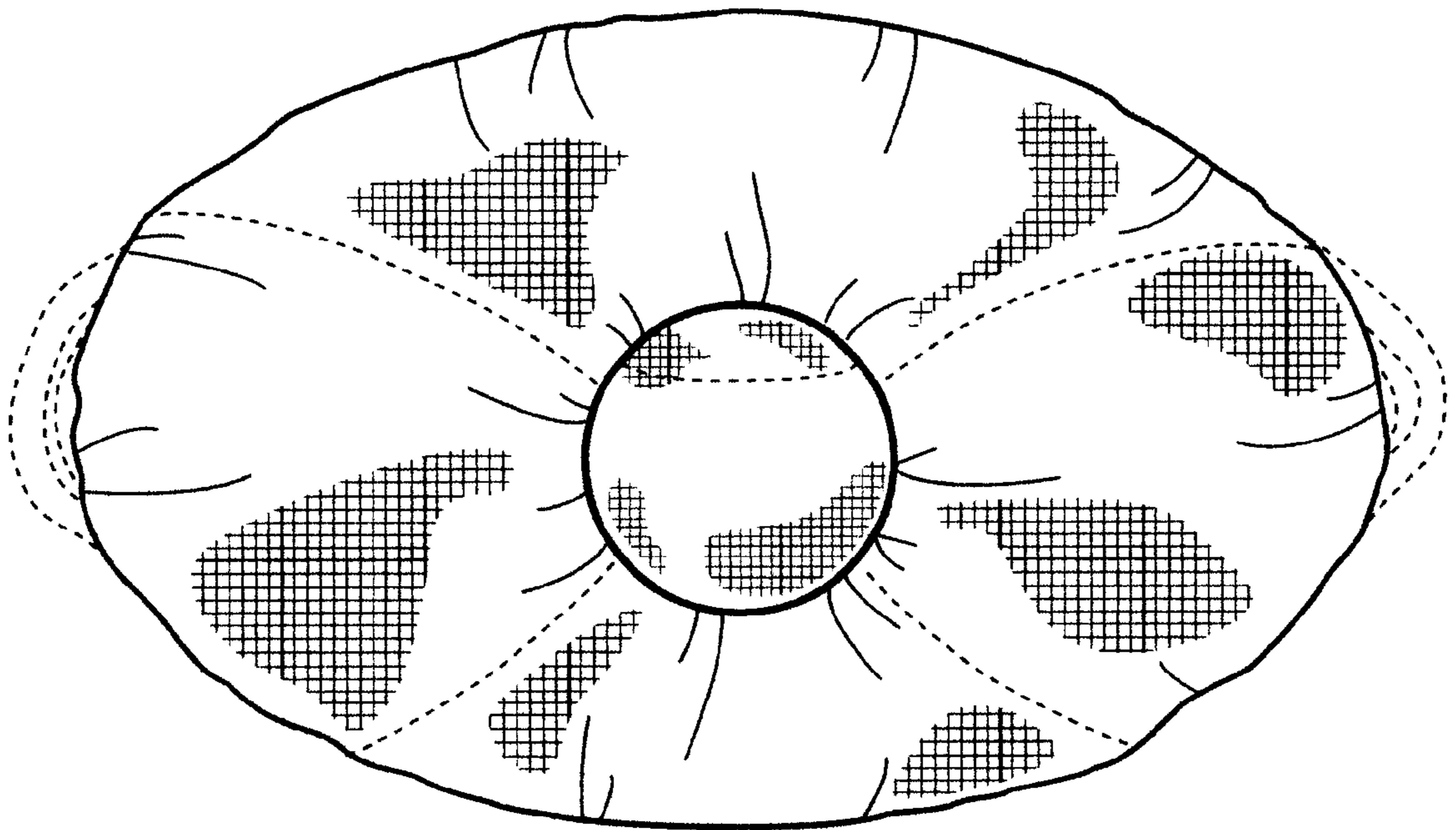


FIG. 7

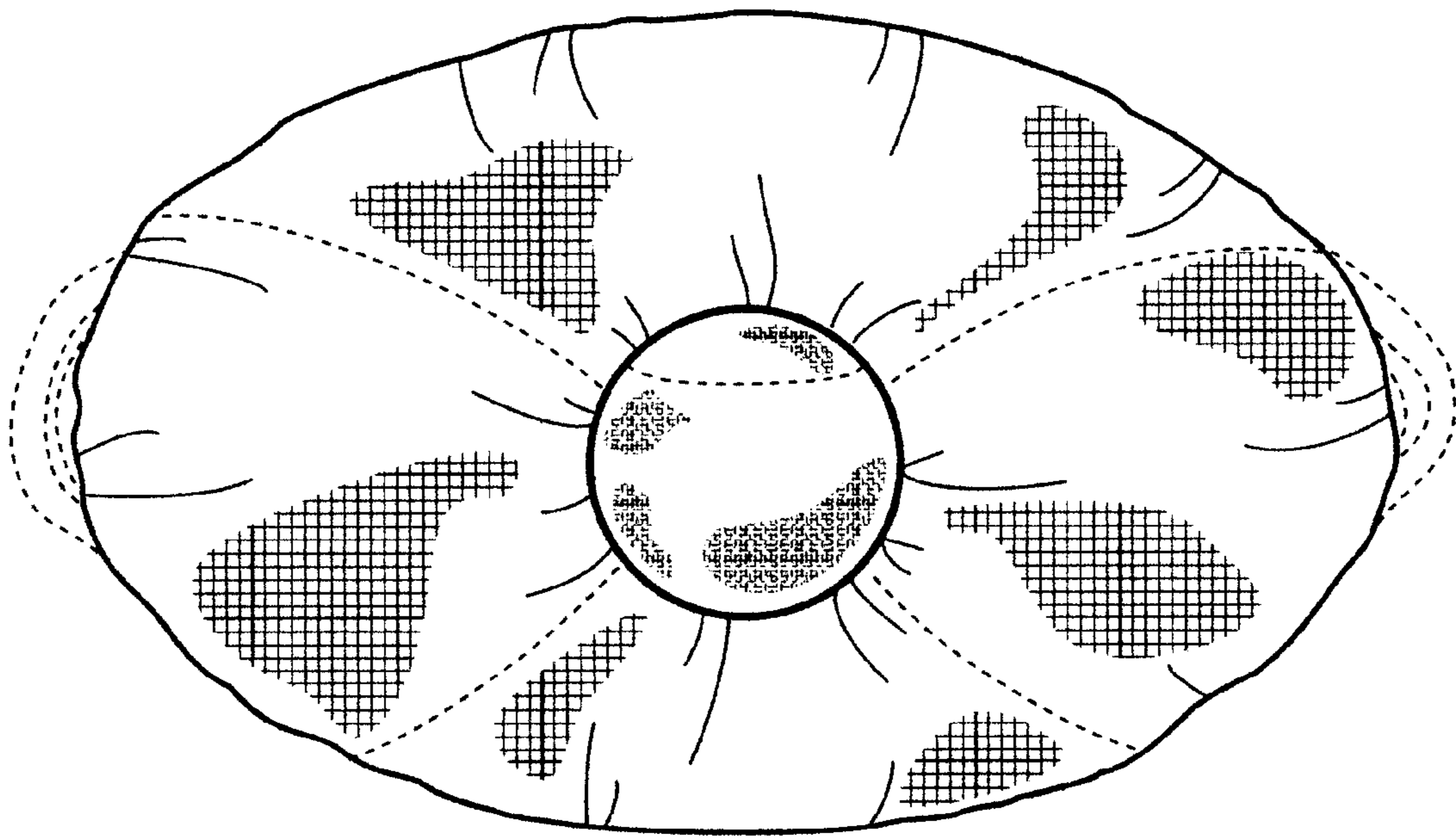


FIG. 8

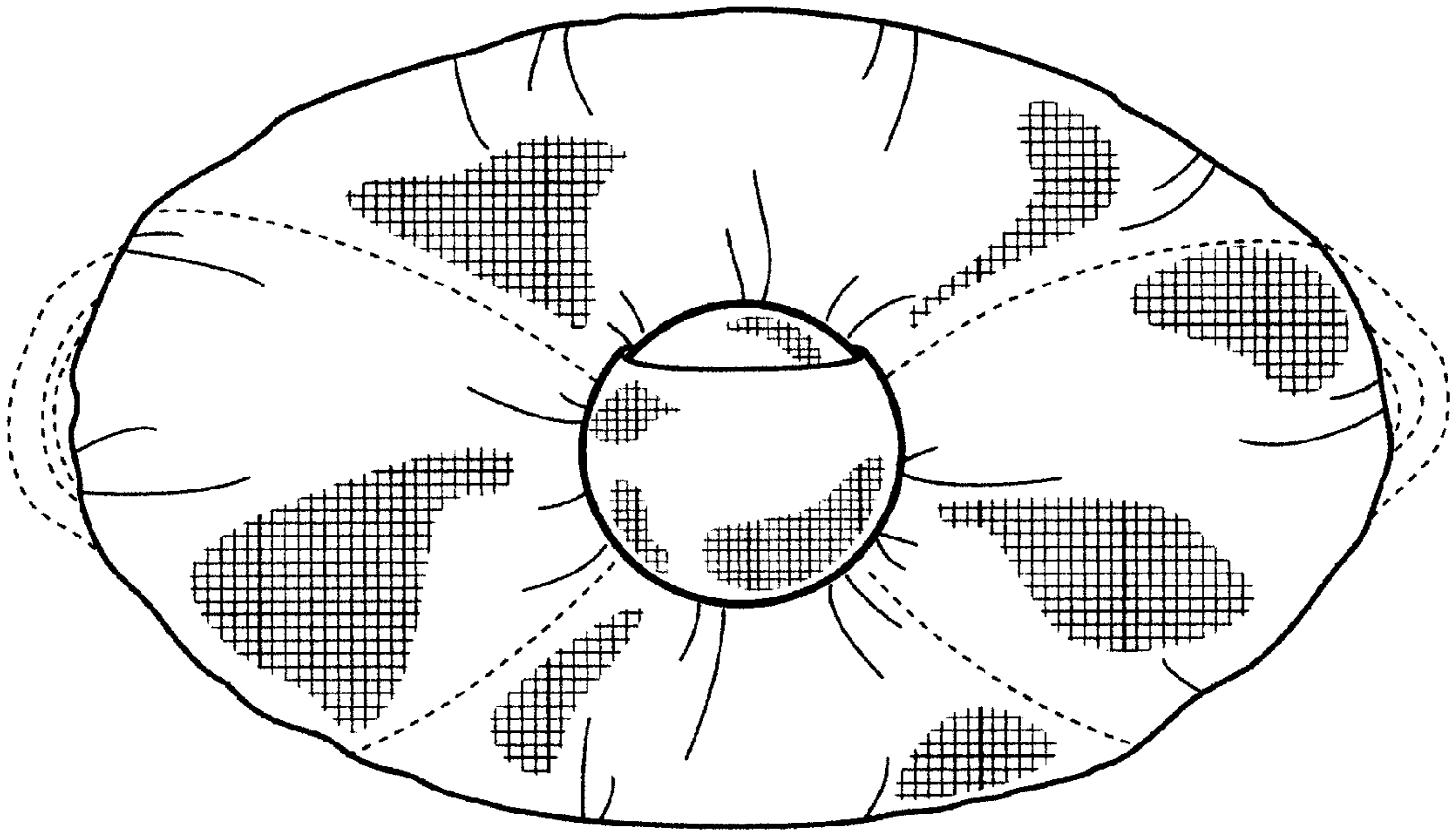


FIG. 9