



US00D448924B1

(12) **United States Design Patent**
Duh

(10) **Patent No.:** **US D448,924 S**

(45) **Date of Patent:** **** Oct. 9, 2001**

(54) **CLIP OF A MOBILE PHONE**

(76) Inventor: **Simon Duh**, 2F, No. 1, Alley 2, Lane
382, Sec. 3, Ho Ping W. Rd., Wan Hua
District, Taipei (TW)

(**) Term: **14 Years**

(21) Appl. No.: **29/131,923**

(22) Filed: **Oct. 31, 2000**

(51) **LOC (7) Cl.** **03-01**

(52) **U.S. Cl.** **D3/218**

(58) **Field of Search** D3/218, 215; D14/253,
D14/137, 138, 241, 251, 217; 379/455,
433-436; 24/3.1, 3.11, 3.12, 3.3, 3.4, 3.6,
3.7, 3.13; 224/240, 241, 236

(56) **References Cited**

U.S. PATENT DOCUMENTS

D. 427,178	*	6/2000	Cory et al.	D14/217
D. 434,029	*	11/2000	Wang	D14/253
D. 440,039	*	4/2001	Bergfeldt	D3/218
5,906,031	*	5/1999	Jensen	24/3.12
6,038,742	*	3/2000	Patterson	24/3.12
6,125,513	*	10/2000	Cheraso et al.	24/3.11

* cited by examiner

Primary Examiner—Catherine R. Oliver

(74) *Attorney, Agent, or Firm*—Rosenberg, Klein & Lee

(57) **CLAIM**

The ornamental design for a “a clip of a mobile phone,” as shown and described.

DESCRIPTION

FIG. 1 is the perspective view of a “a clip of a mobile phone” showing my new design;

FIG. 2 is the front view thereof;

FIG. 3 is the rear view thereof;

FIG. 4 is the left side view thereof;

FIG. 5 is the right side view thereof;

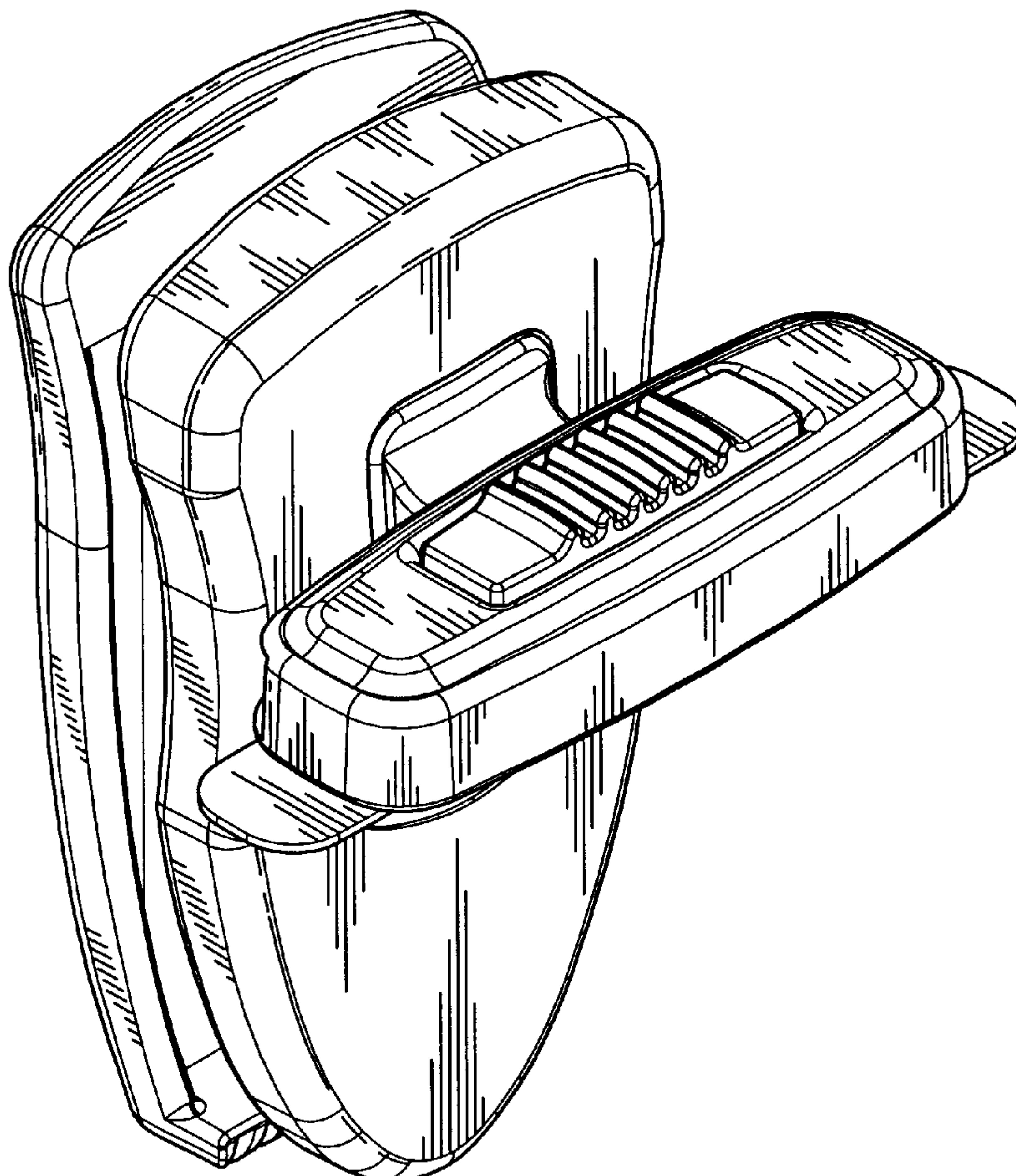
FIG. 6 is the top view thereof;

FIG. 7 is the bottom view thereof; and,

FIG. 8 is the perspective view showing the practical usage thereof.

The broken line showing of environment in FIG. 8 is for illustrative purposes only and forms no part of the claimed design.

1 Claim, 5 Drawing Sheets



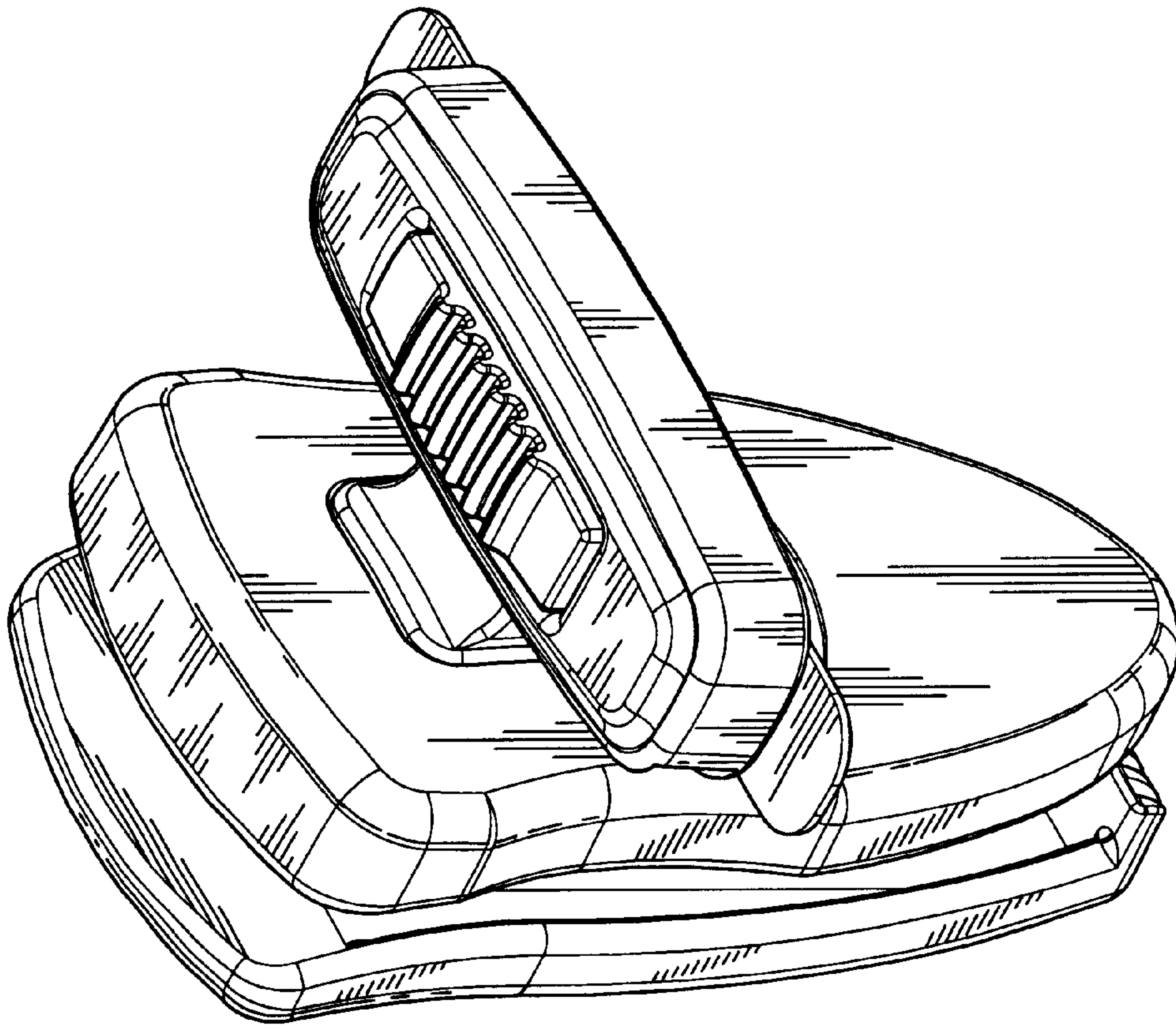


FIG.1

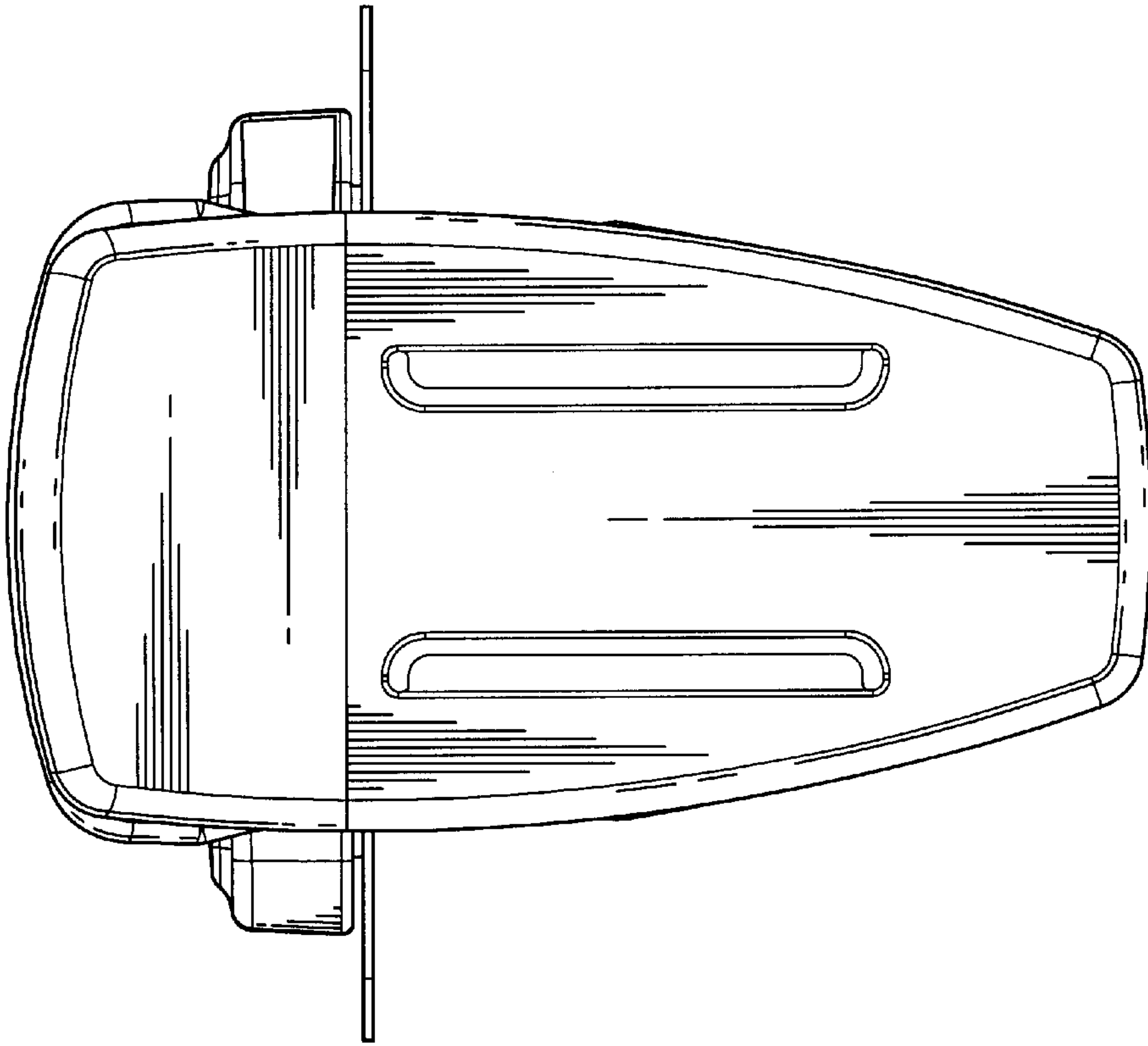


FIG.3

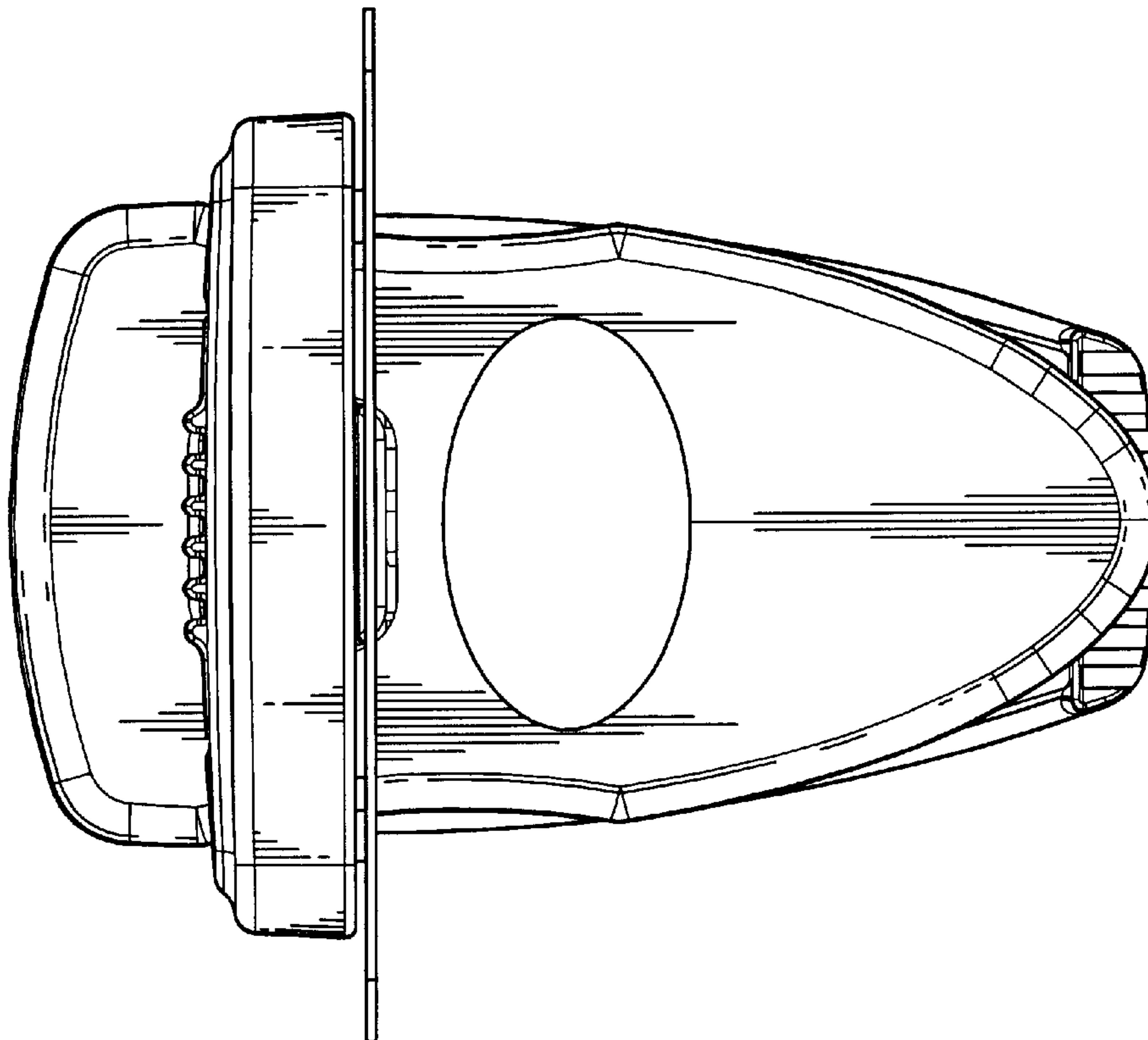


FIG.2

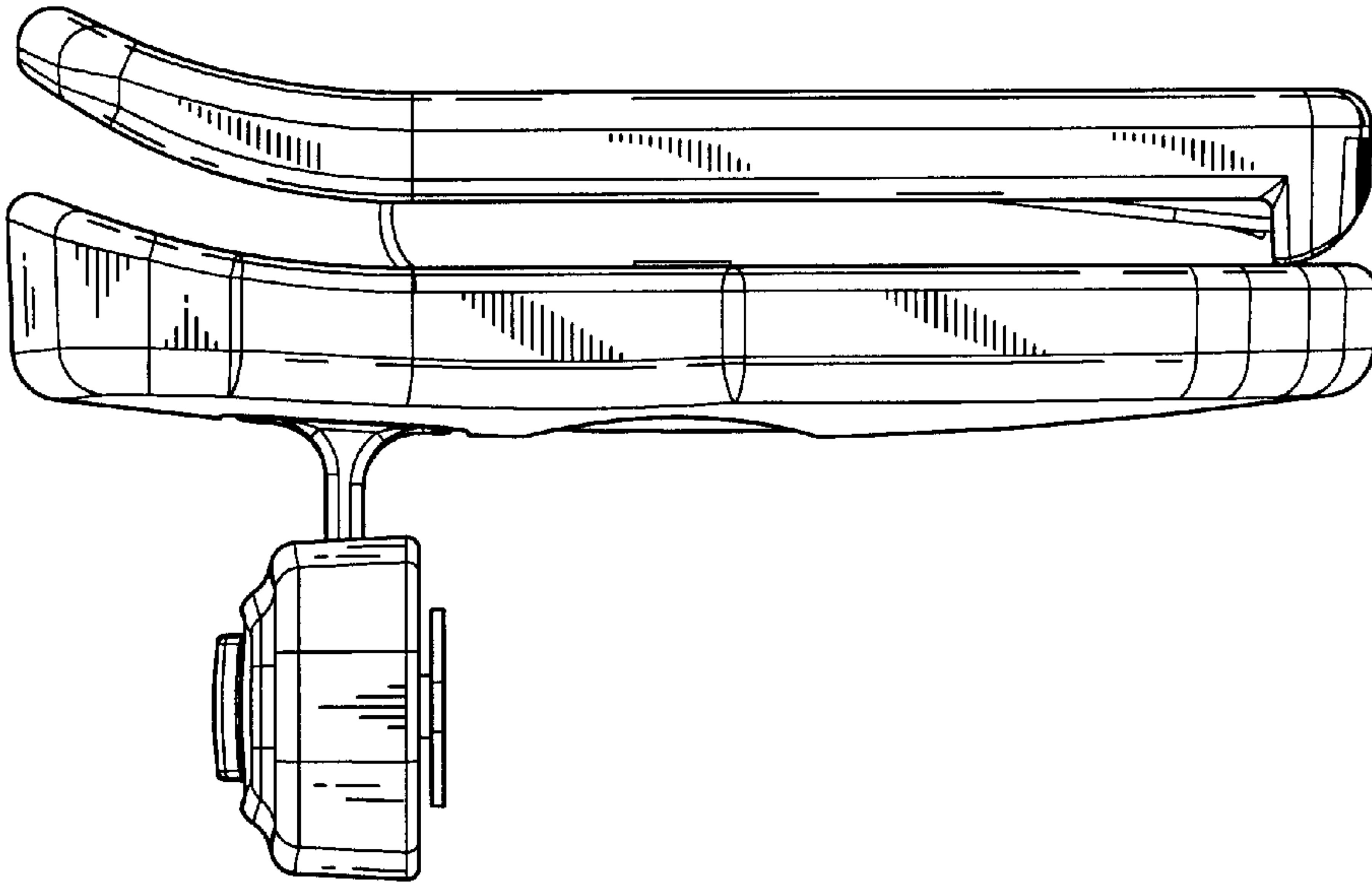


FIG.5

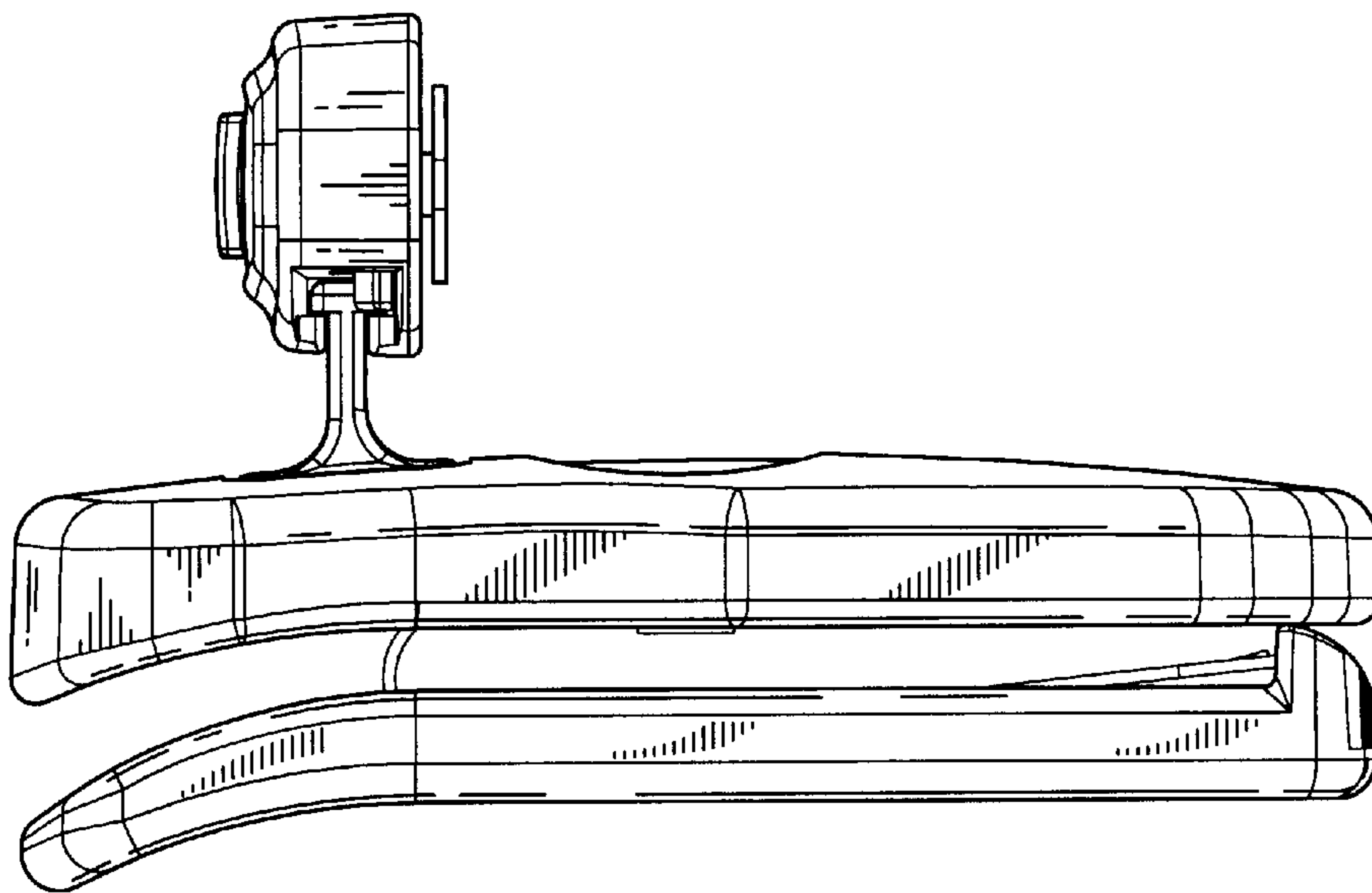


FIG.4

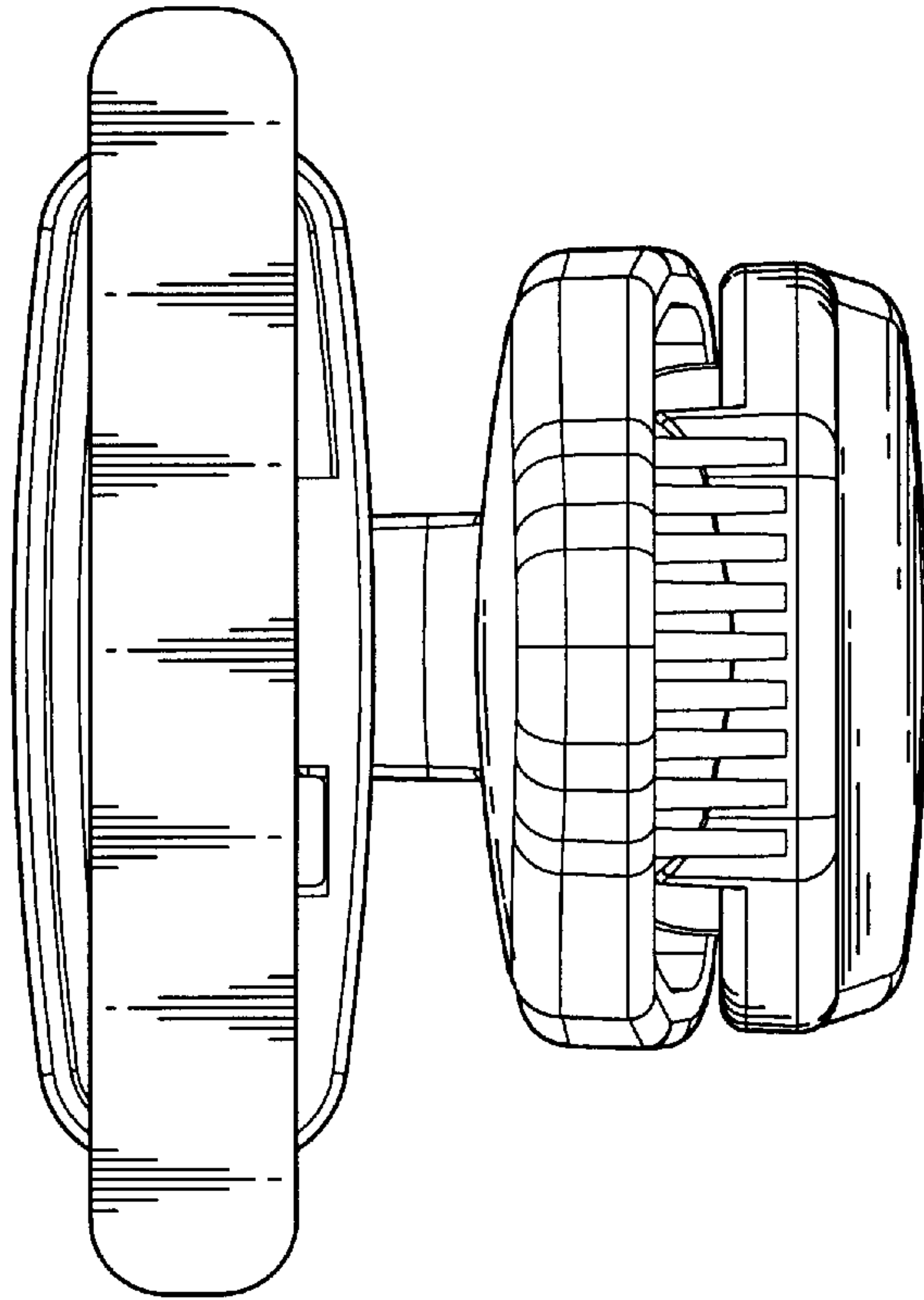


FIG.7

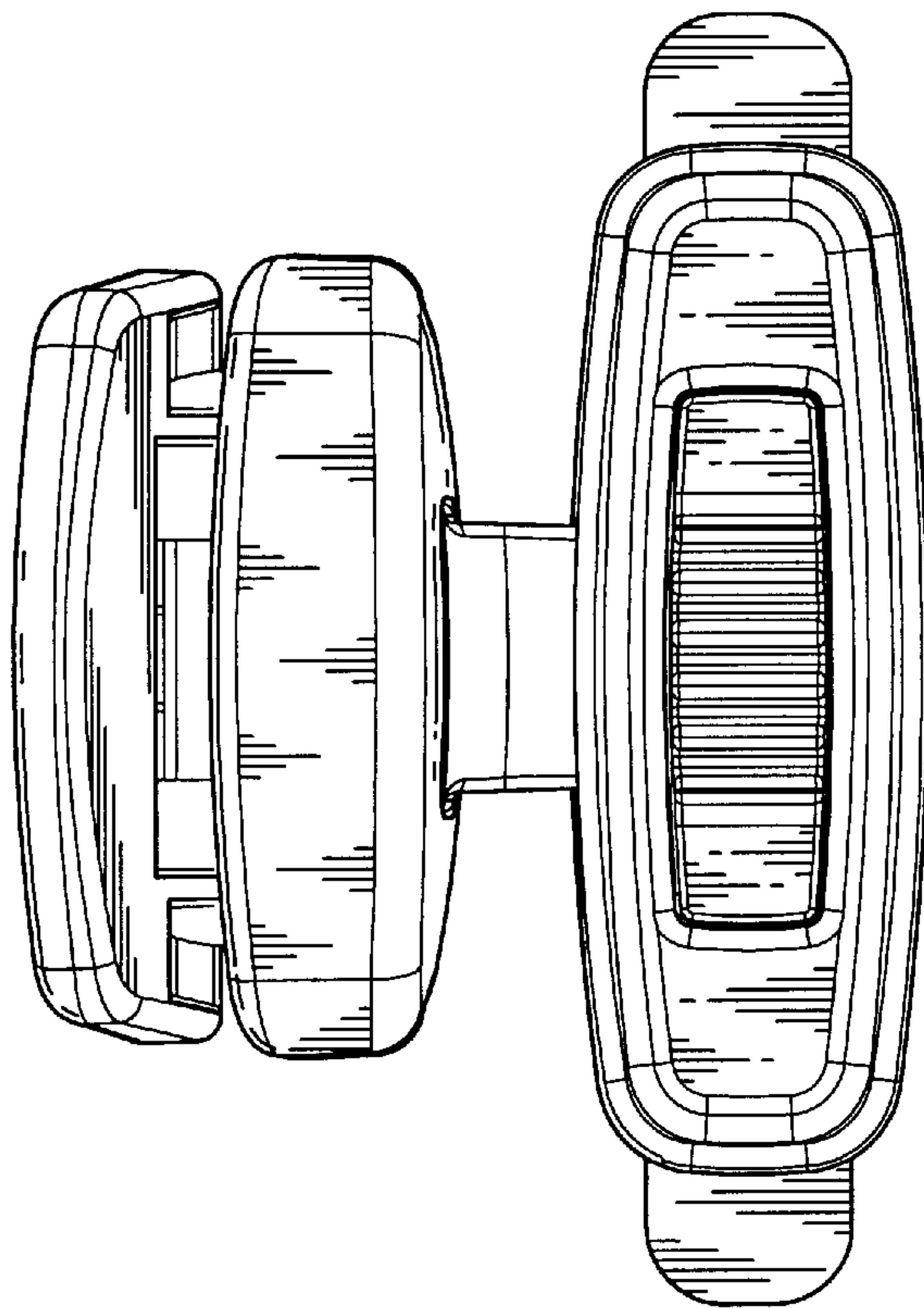


FIG.6

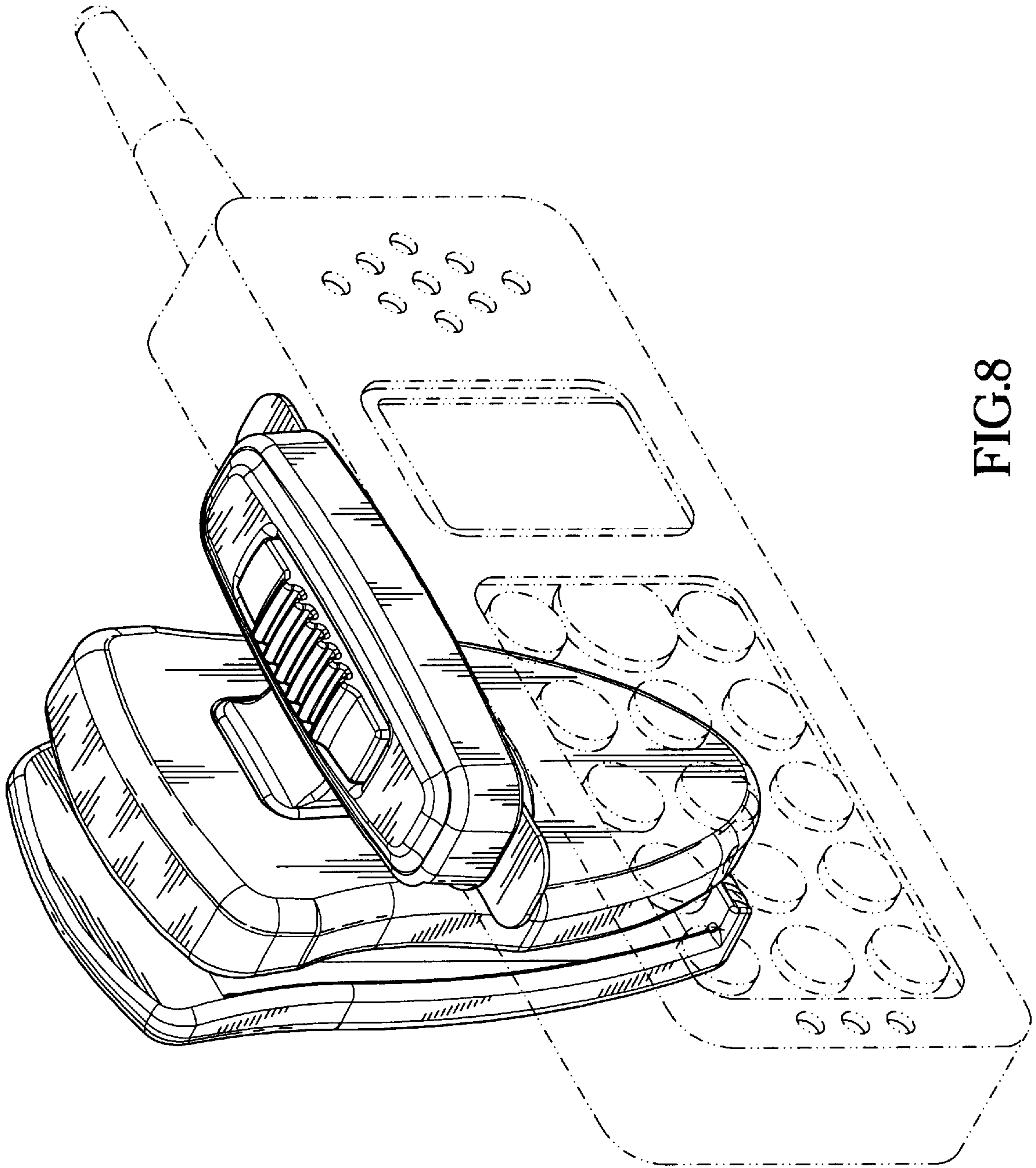


FIG.8