



US00D448923B1

(12) **United States Design Patent**
Willingham et al.

(10) **Patent No.:** **US D448,923 S**

(45) **Date of Patent:** **** Oct. 9, 2001**

(54) **DECORATIVE BACKPACK**

(76) Inventors: **Lynne Willingham**, 20061 Gilbert Dr., Canyon Country, CA (US) 91351;
Derek Sullivan, 289 Mangels Ave., San Francisco, CA (US) 94127

(**) Term: **14 Years**

(21) Appl. No.: **29/137,220**

(22) Filed: **Feb. 14, 2001**

Related U.S. Application Data

(62) Division of application No. 29/119,646, filed on Mar. 3, 2000, now Pat. No. Des. 438,700.

(51) **LOC (7) Cl.** **03-01**

(52) **U.S. Cl.** **D3/216; D3/217; D3/270**

(58) **Field of Search** D3/216, 217; 224/148.2, 224/156, 578, 579, 580, 584, 627, 628, 629, 231, 642, 643, 646, 647, 652, 653, 656, 657

(56) **References Cited**

U.S. PATENT DOCUMENTS

- D. 143,793 * 2/1946 Cameron D2/862
- D. 260,697 * 9/1981 Fitzgerald et al. D3/217
- D. 260,698 * 9/1981 Fitzgerald et al. D3/217
- D. 320,501 * 10/1991 Marks D3/217
- D. 350,228 * 9/1994 Poire D3/217
- D. 363,370 * 10/1995 Hamdan D32/36
- D. 366,134 * 1/1996 Kolligian D2/862
- D. 384,199 * 9/1997 Dixon et al. D3/217
- D. 390,352 * 2/1998 Lane D3/216
- D. 396,544 * 8/1998 Cameron D2/863
- D. 422,404 * 4/2000 Hasas D3/216
- D. 425,697 * 5/2000 Chapman D3/216
- D. 433,800 * 11/2000 Chapman D3/216
- D. 438,700 * 3/2001 Willingham et al. D3/216

- D. 438,712 * 3/2001 Chapman D6/217
- 4,174,059 * 11/1979 Maunder 224/645
- 4,423,834 * 1/1984 Rush 224/153
- 4,874,340 * 10/1989 Smallwood 446/28
- 5,255,834 * 10/1993 Bendersky 224/65 S

* cited by examiner

Primary Examiner—Celia Murphy

(74) *Attorney, Agent, or Firm*—Drummond & Duckworth

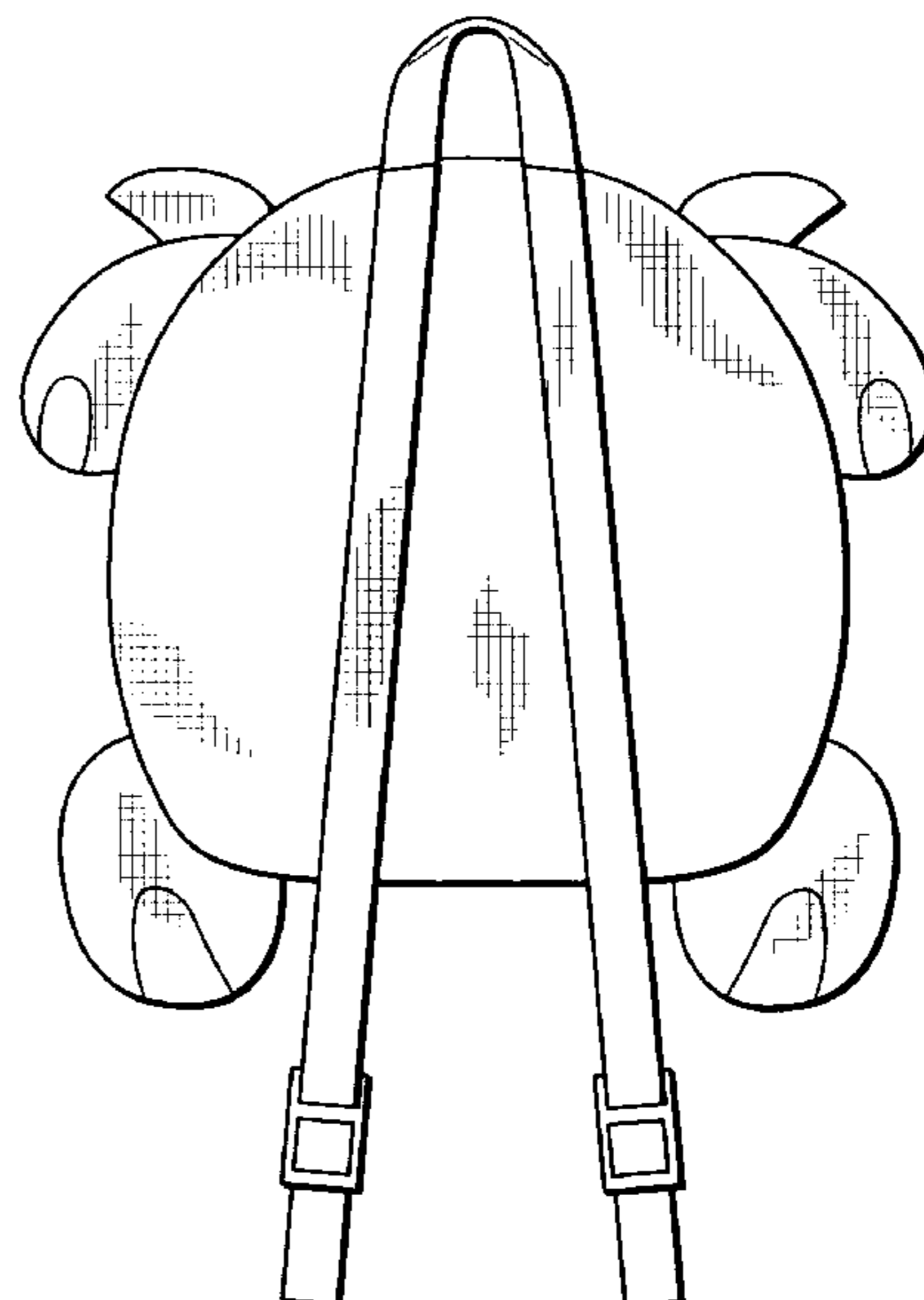
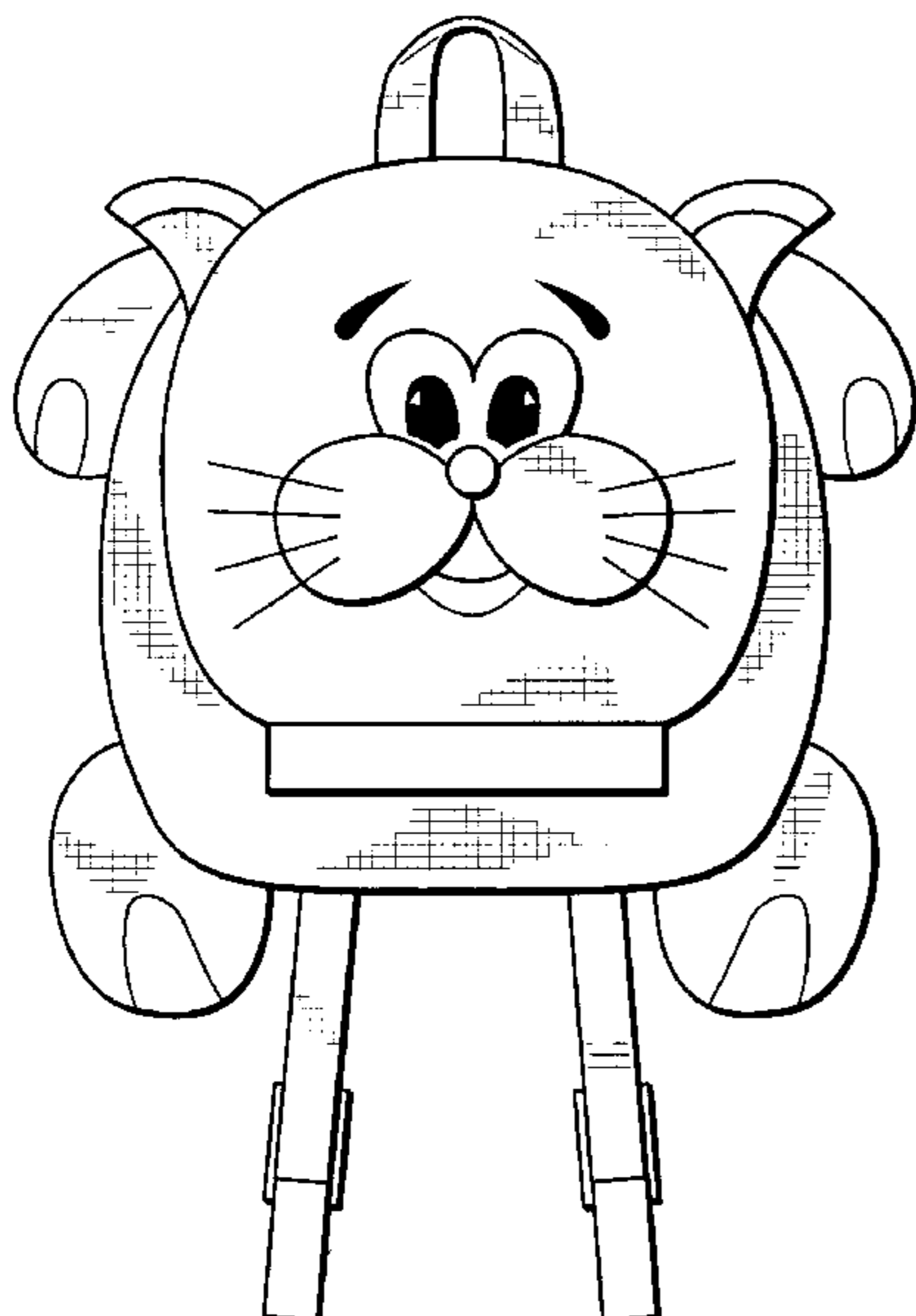
(57) **CLAIM**

The ornamental design for a decorative backpack, as shown and described.

DESCRIPTION

FIG. 1 is a perspective view of the decorative backpack, showing our new design;
 FIG. 2 is a front elevation view thereof;
 FIG. 3 is a left elevation view thereof;
 FIG. 4 is a right elevation view thereof;
 FIG. 5 is a rear elevation view thereof;
 FIG. 6 is a top plan view thereof;
 FIG. 7 is a bottom plan view thereof;
 FIG. 8 is a front elevation view illustrating the decorative backpack in an expanded position;
 FIG. 9 is a left elevation view of FIG. 8;
 FIG. 10 is a right elevation view of FIG. 8;
 FIG. 11 is a rear elevation view of FIG. 8;
 FIG. 12 is a top plan view of FIG. 8;
 FIG. 13 is a bottom plan view of FIG. 8;
 FIG. 14 is a front elevation view of the decorative backpack illustrating the backpack in an open condition;
 FIG. 15 is a top plan view of FIG. 14;
 FIG. 16 is a right elevation view of FIG. 14;
 FIG. 17 is a rear elevation view of FIG. 14;
 FIG. 18 is a bottom plan view of FIG. 14; and,
 FIG. 19 is a left elevation view of FIG. 14.

1 Claim, 6 Drawing Sheets



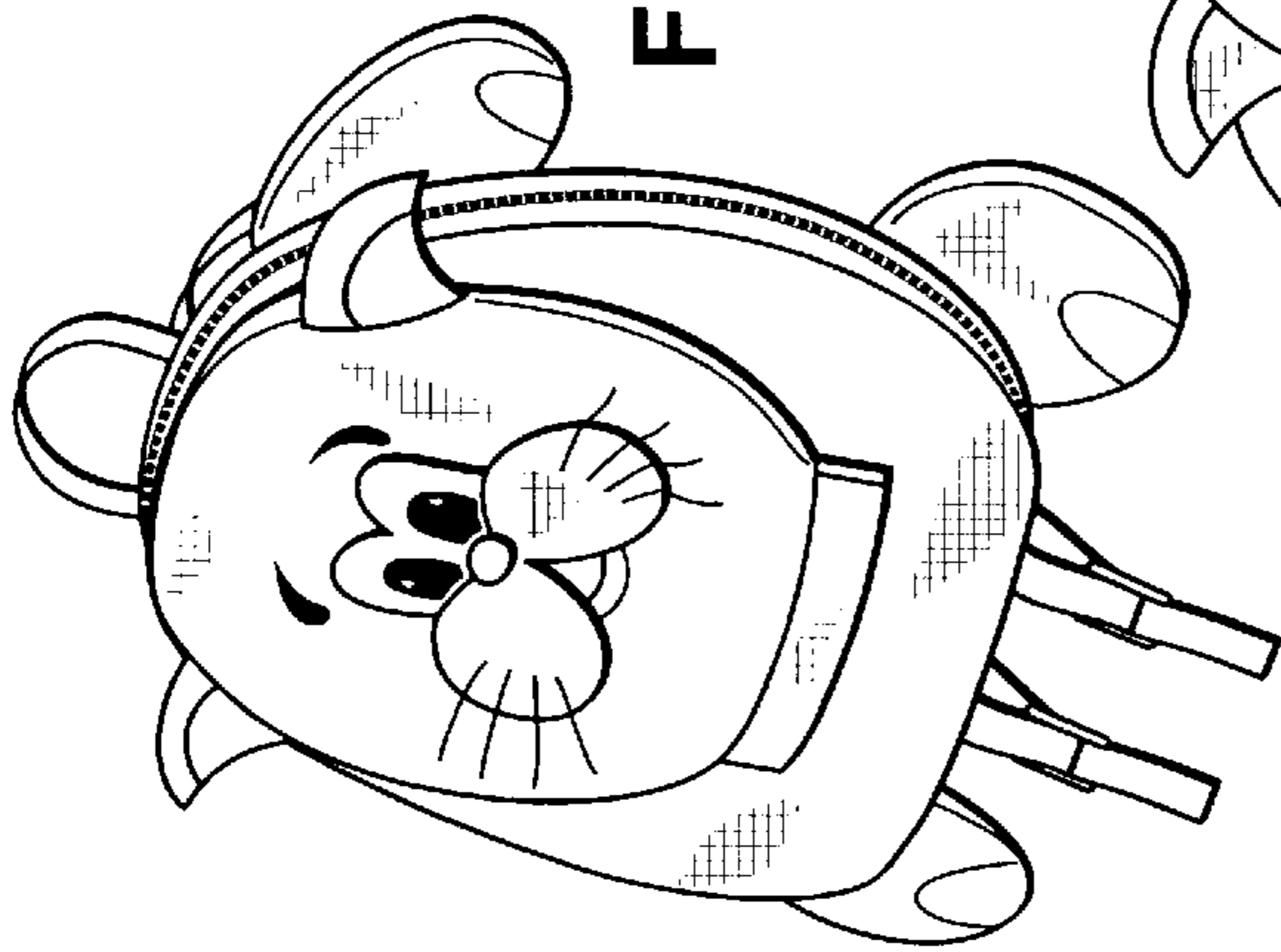


FIG. 1

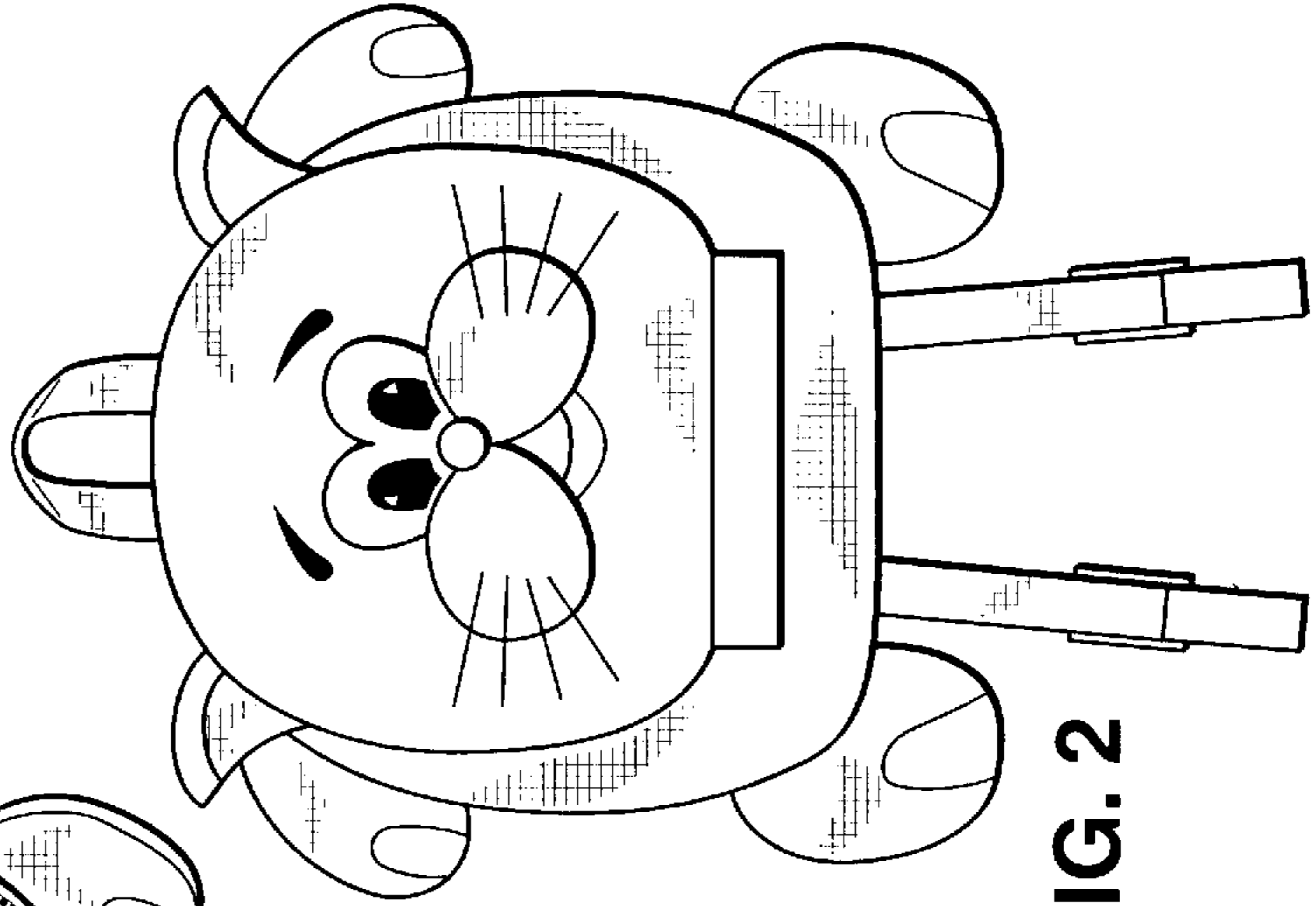


FIG. 2

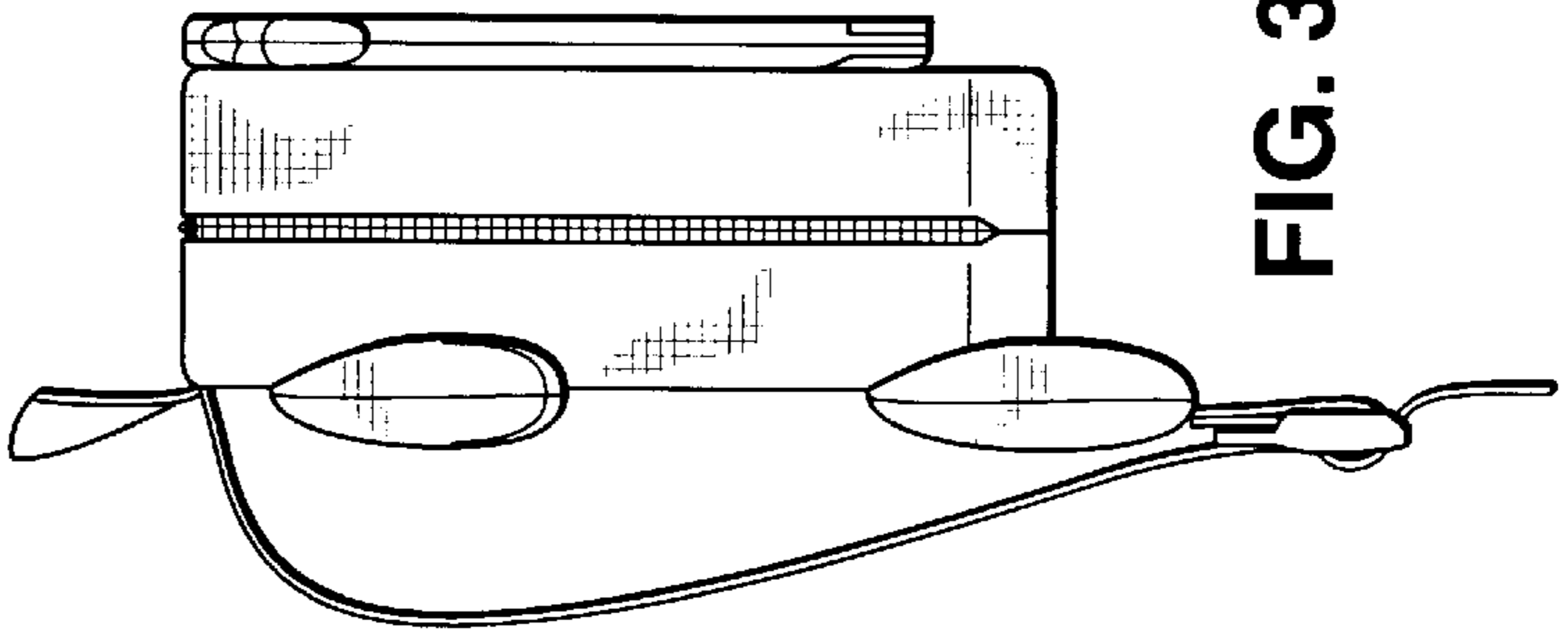


FIG. 3

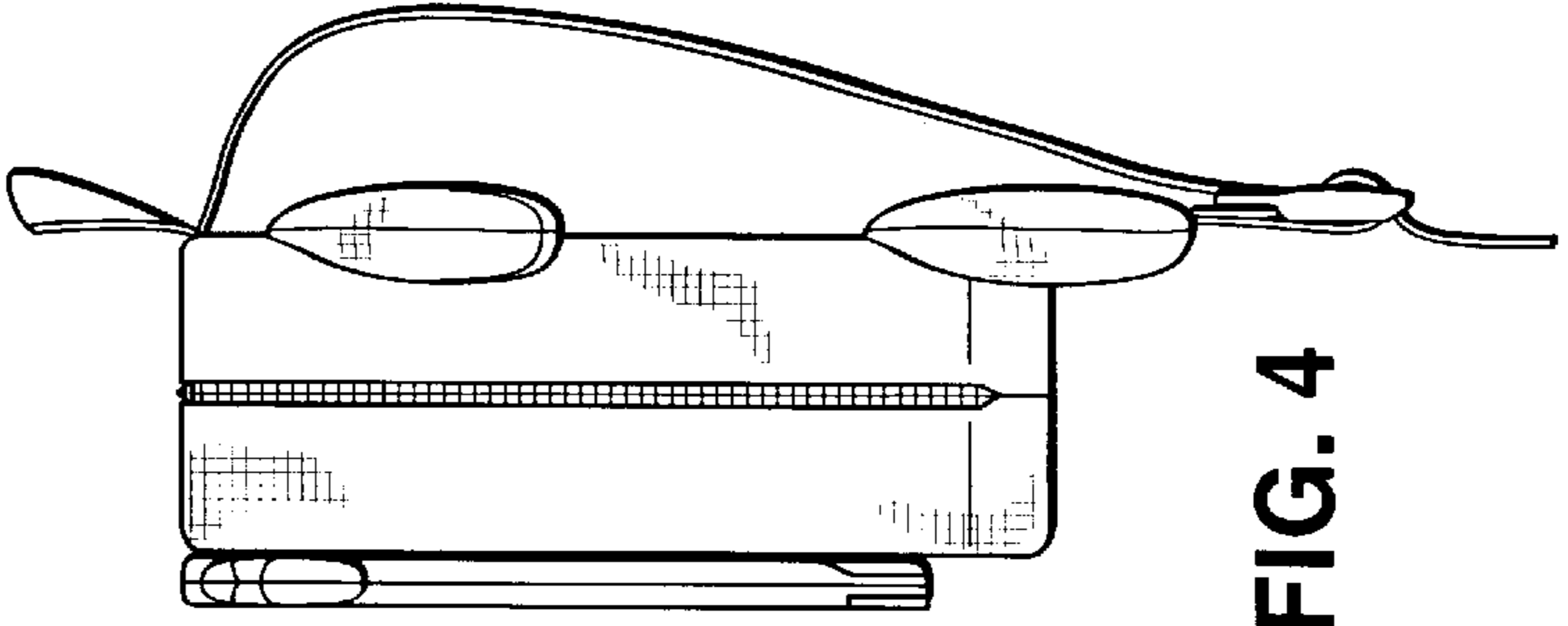


FIG. 4

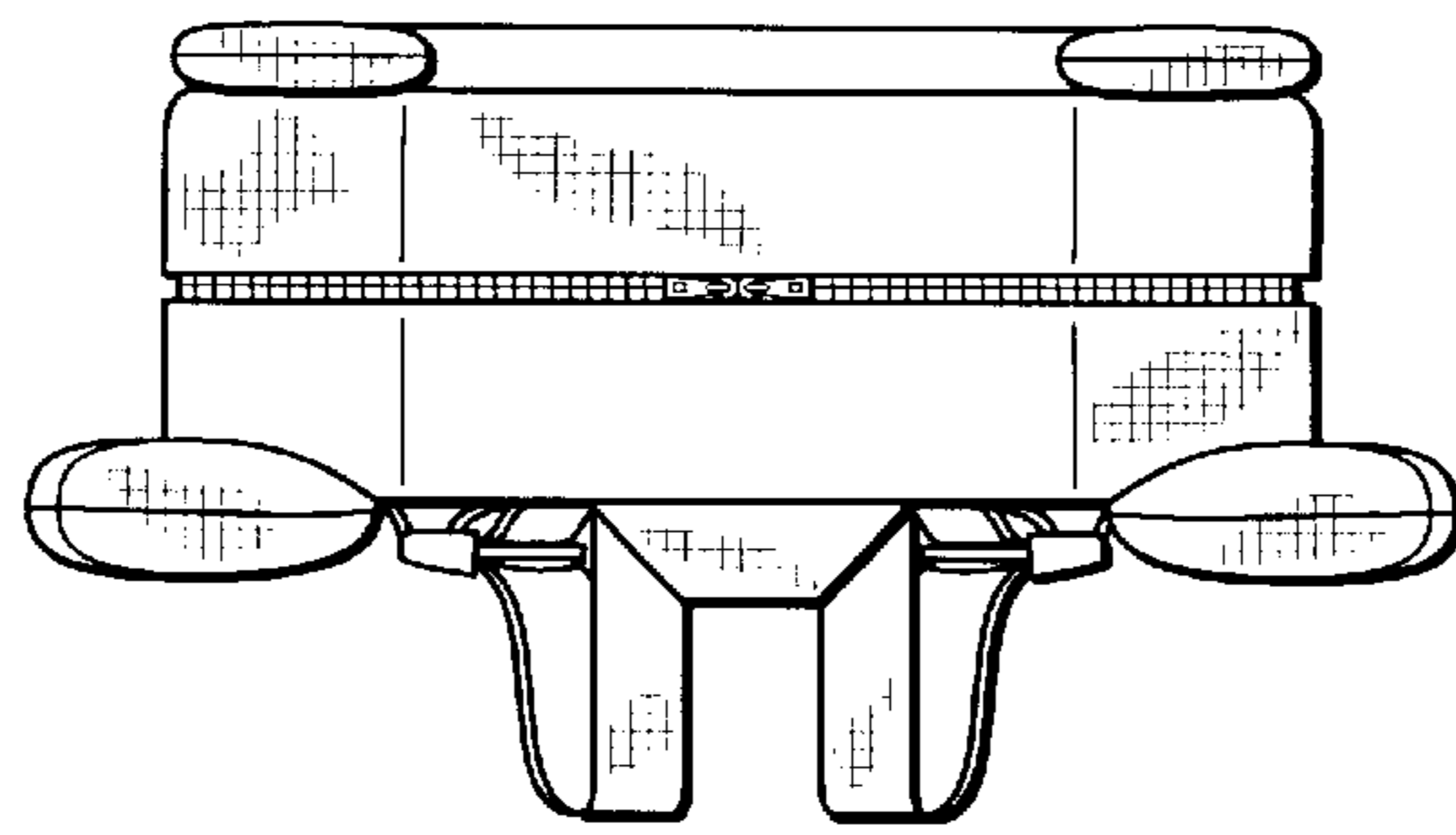


FIG. 6

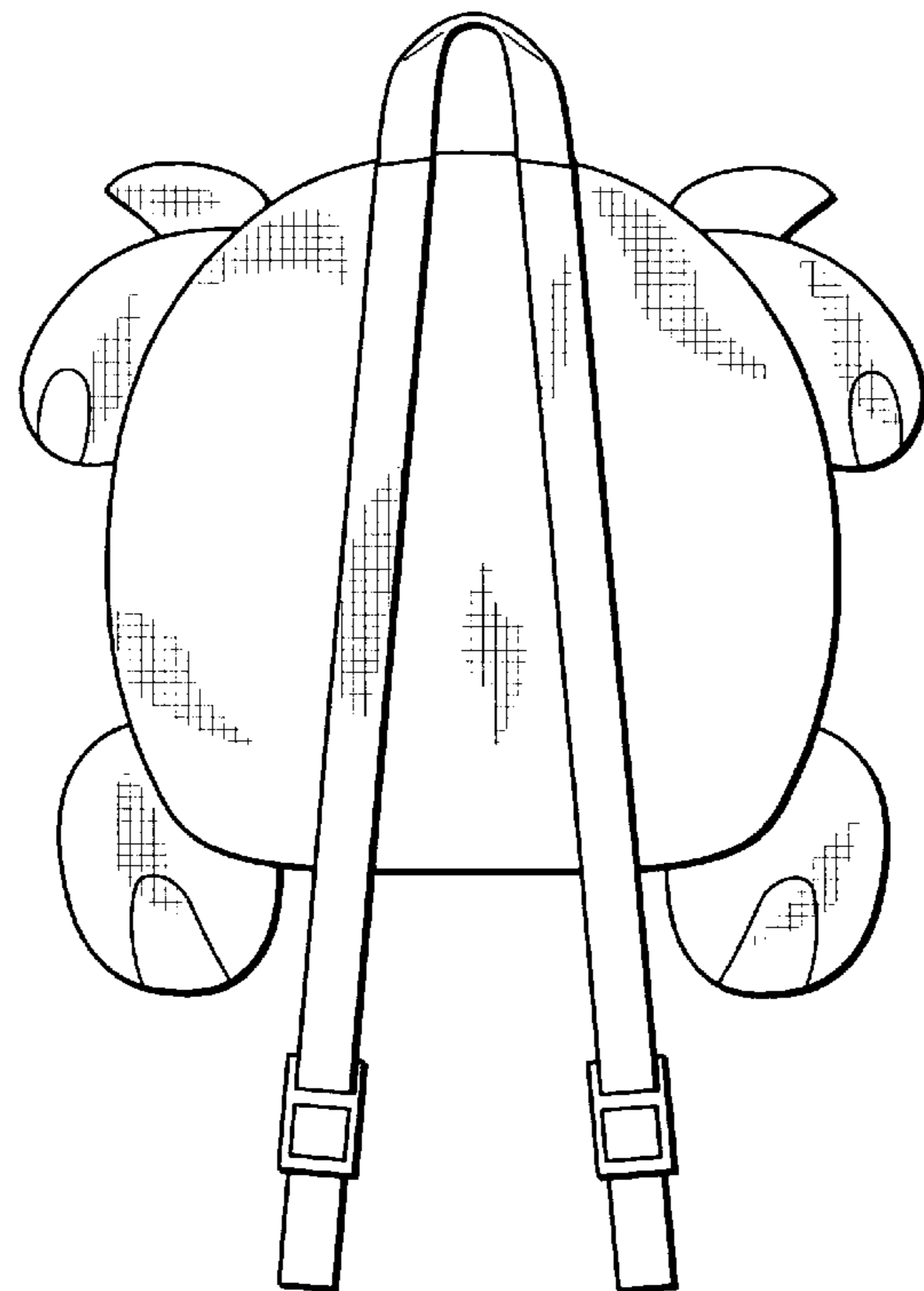


FIG. 5

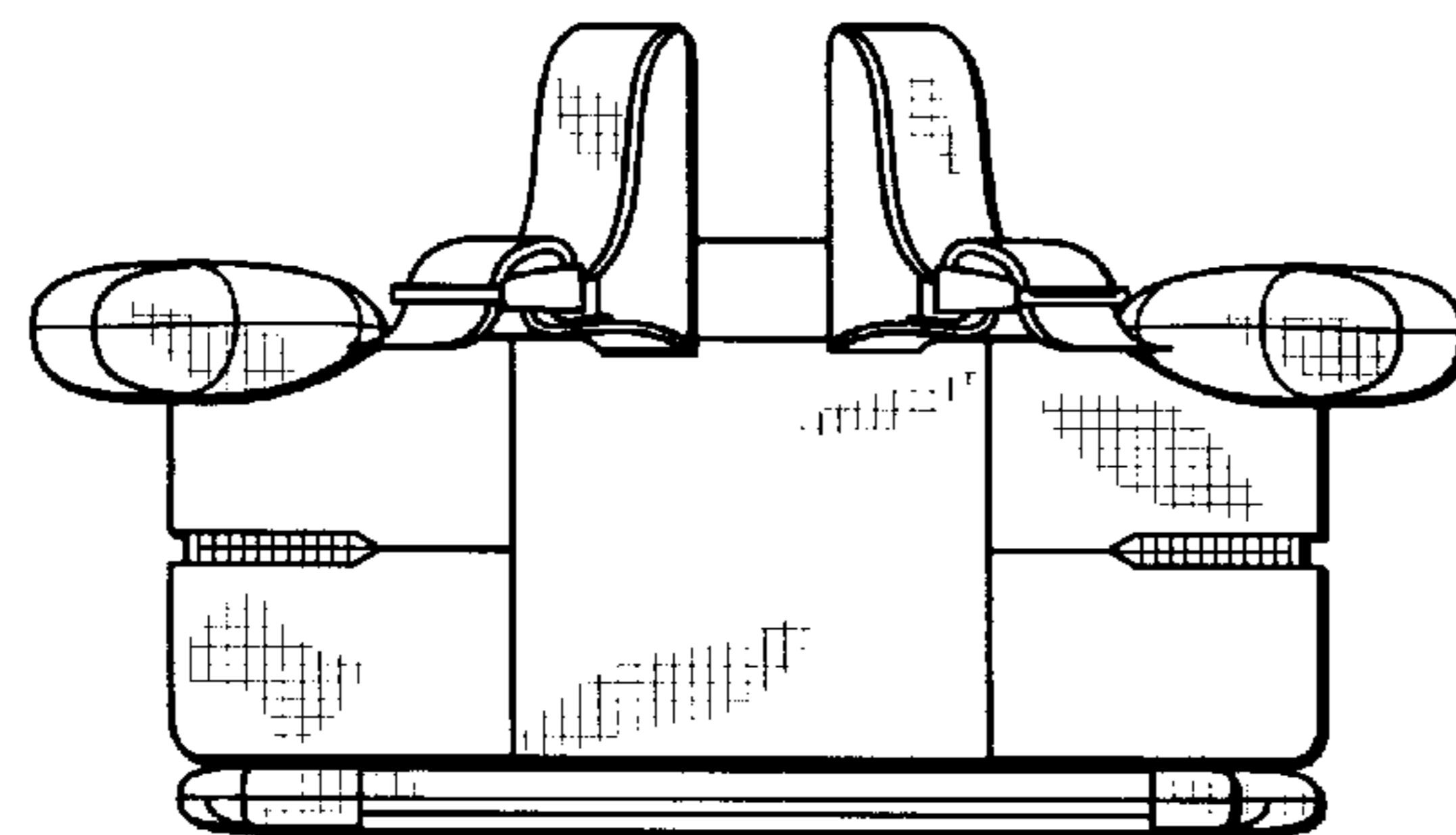


FIG. 7

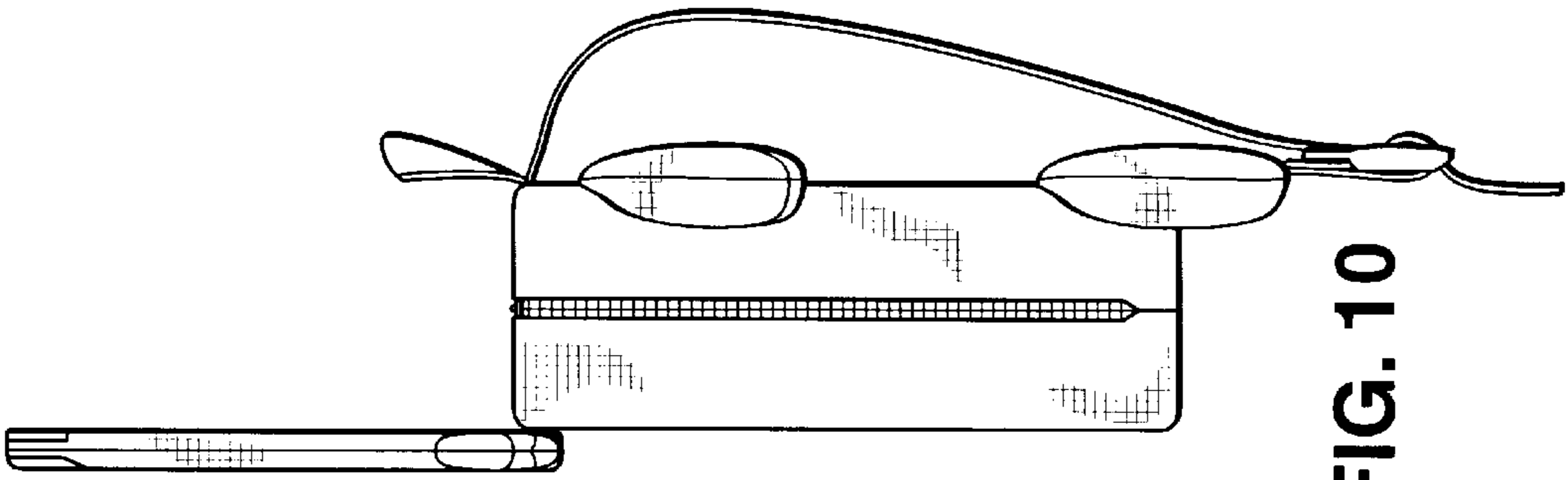


FIG. 10

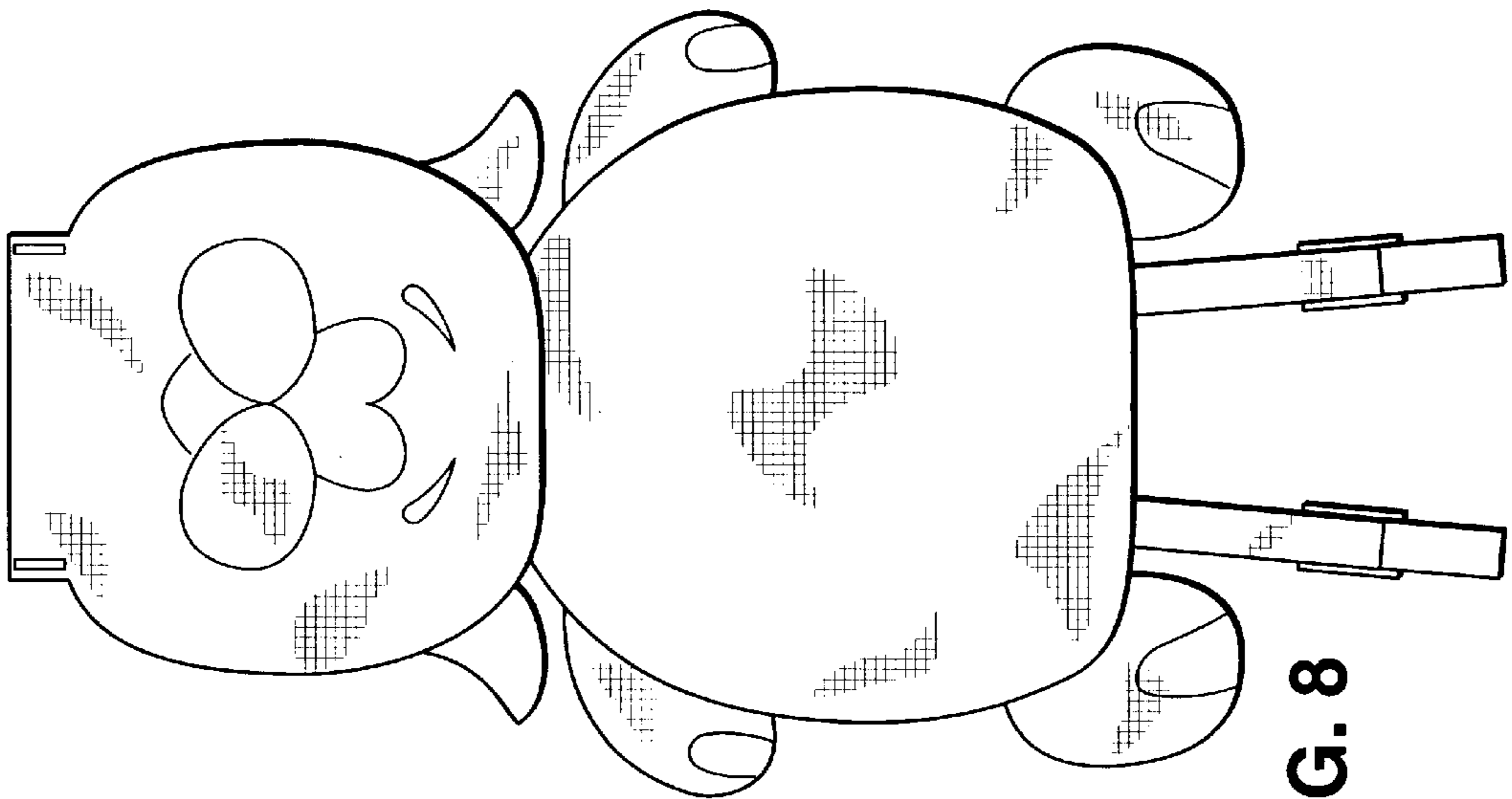


FIG. 8

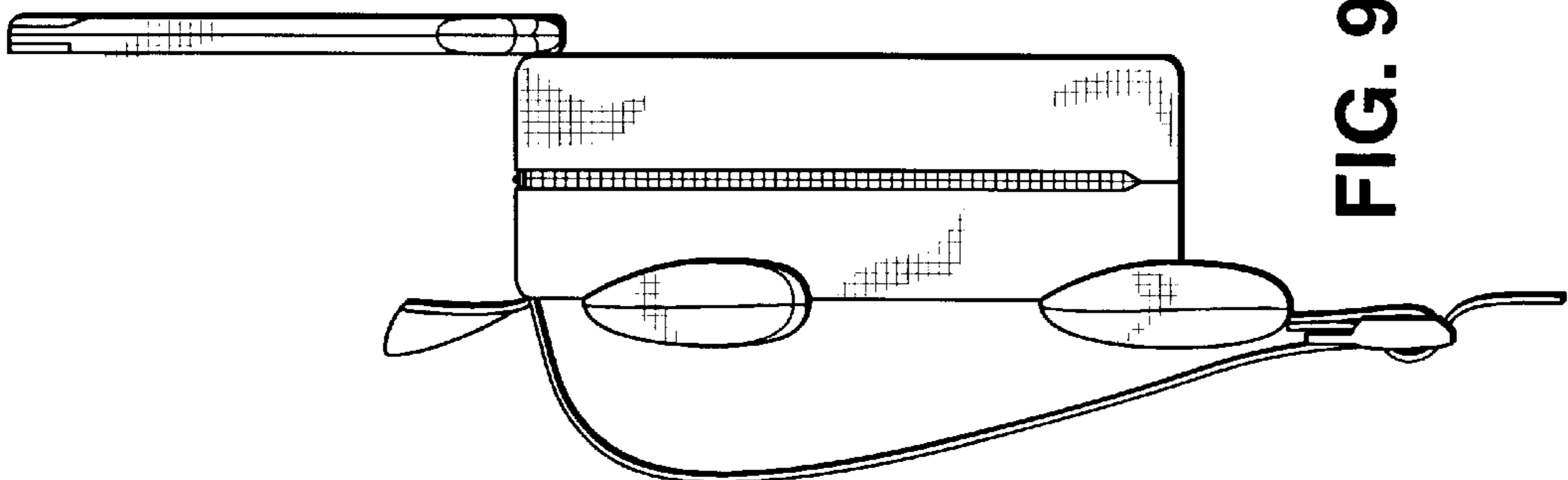


FIG. 9

FIG. 12

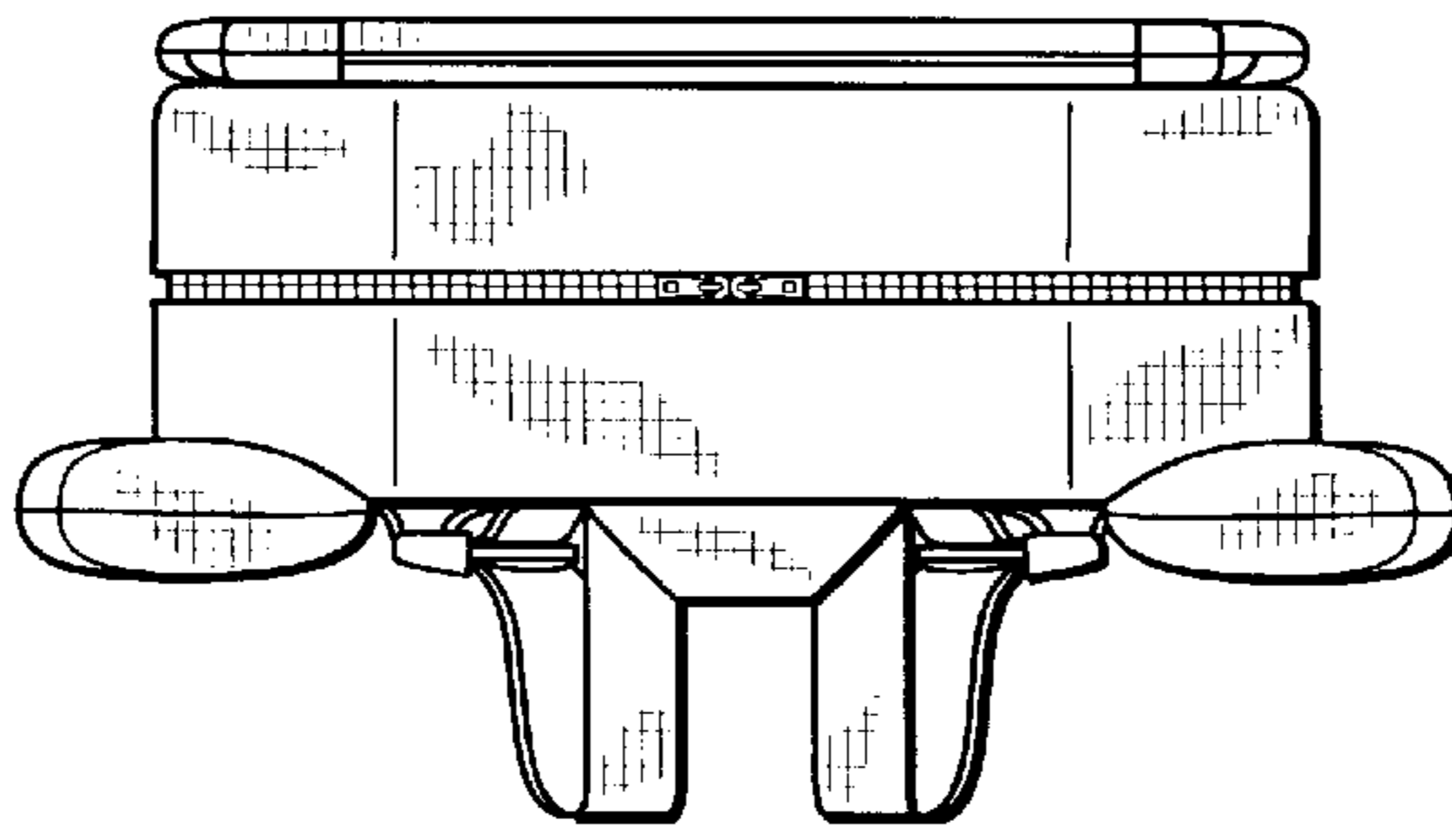


FIG. 11

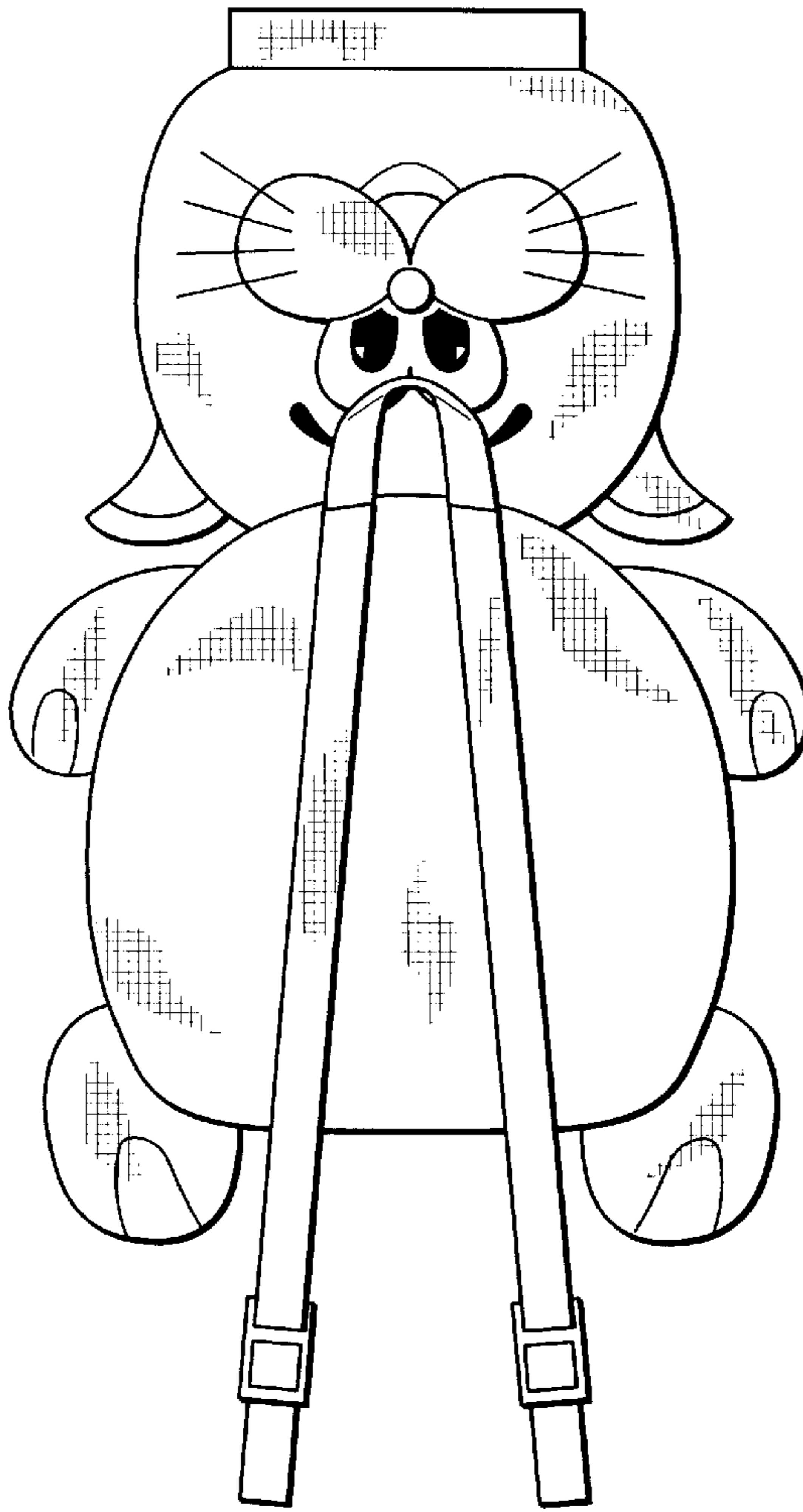
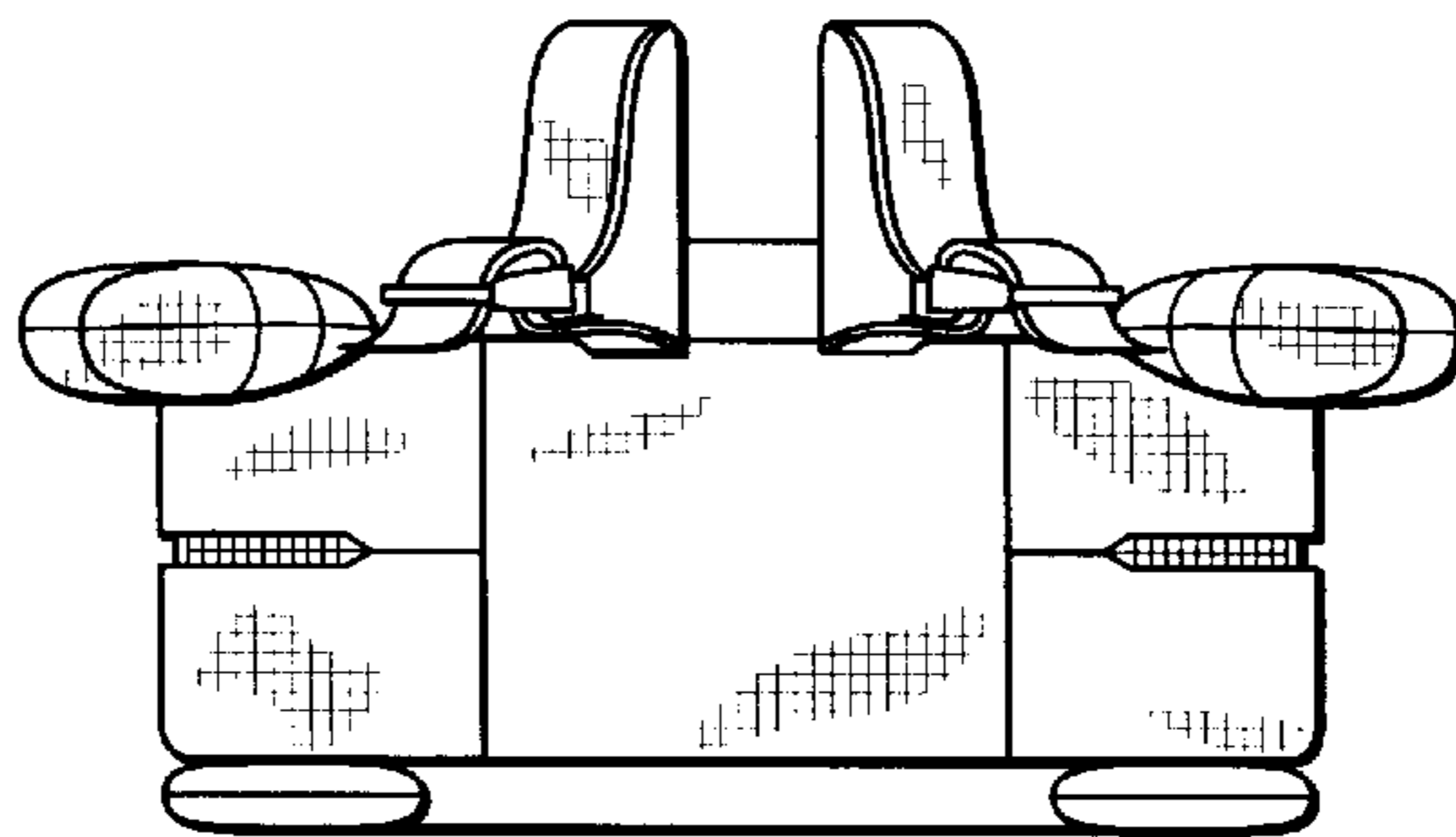


FIG. 13



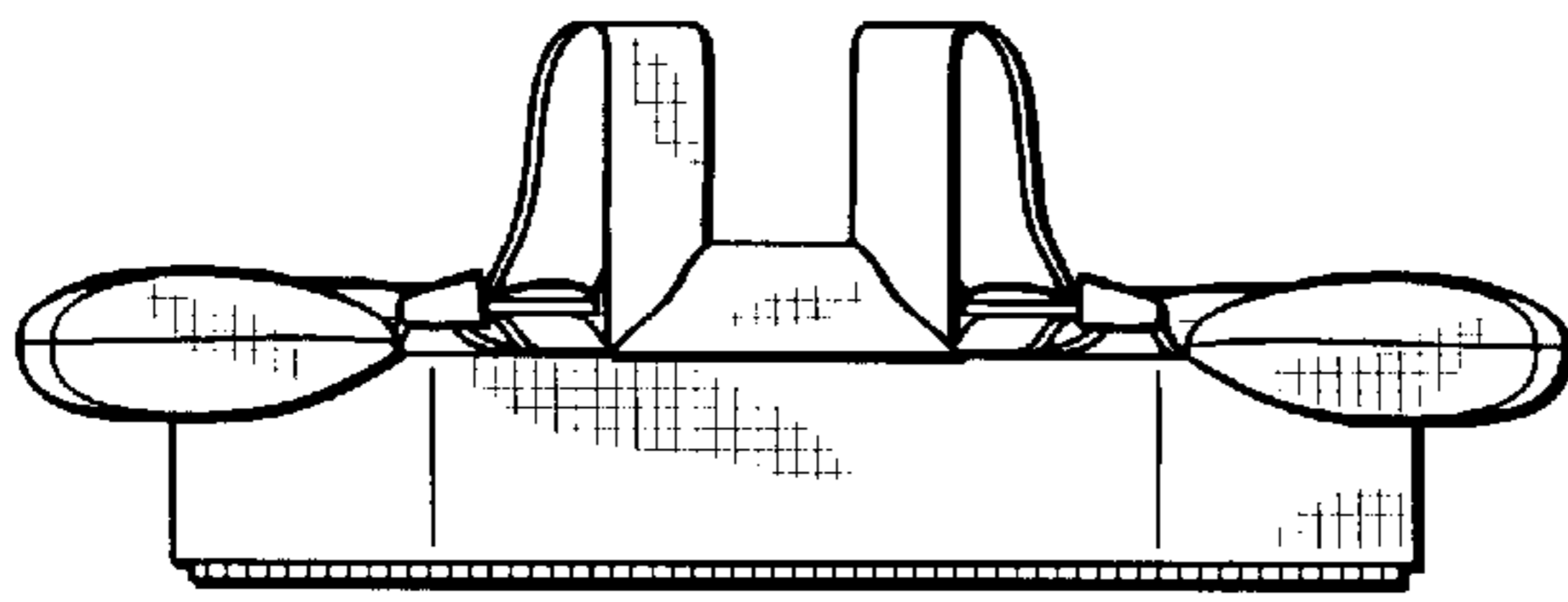


FIG. 15

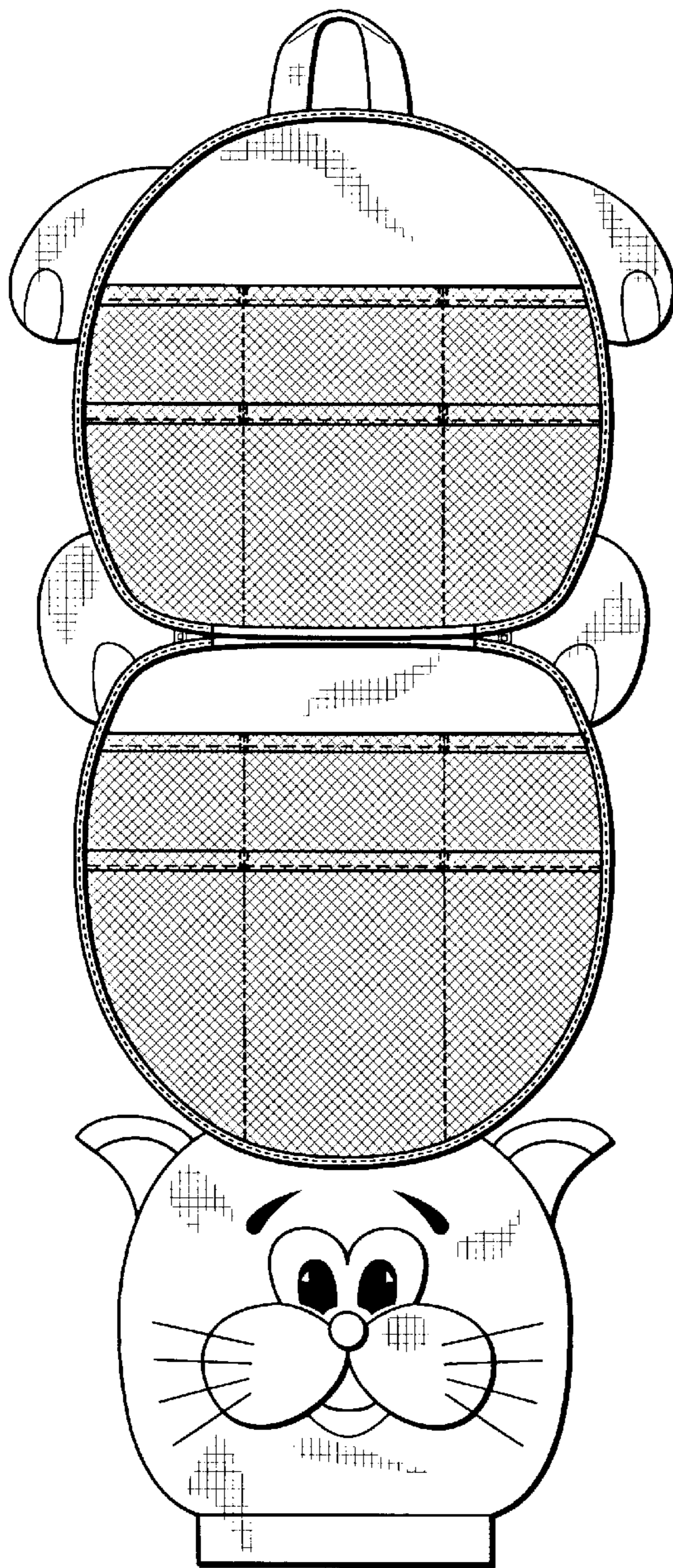


FIG. 14

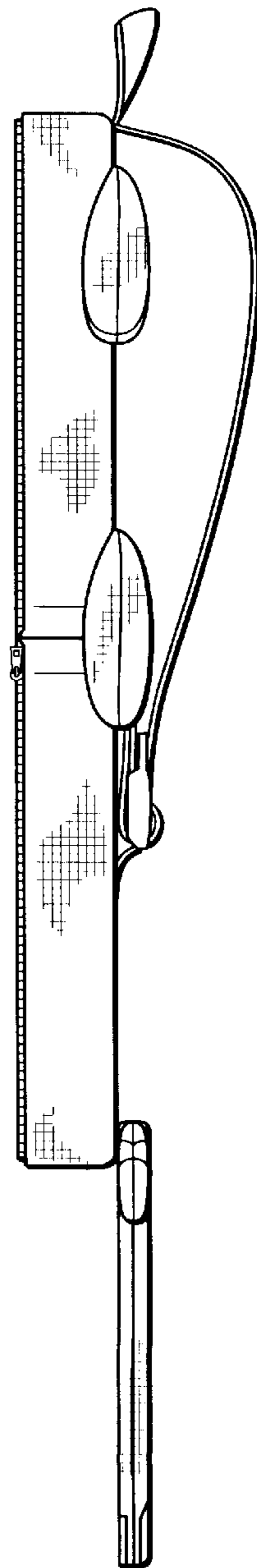


FIG. 16

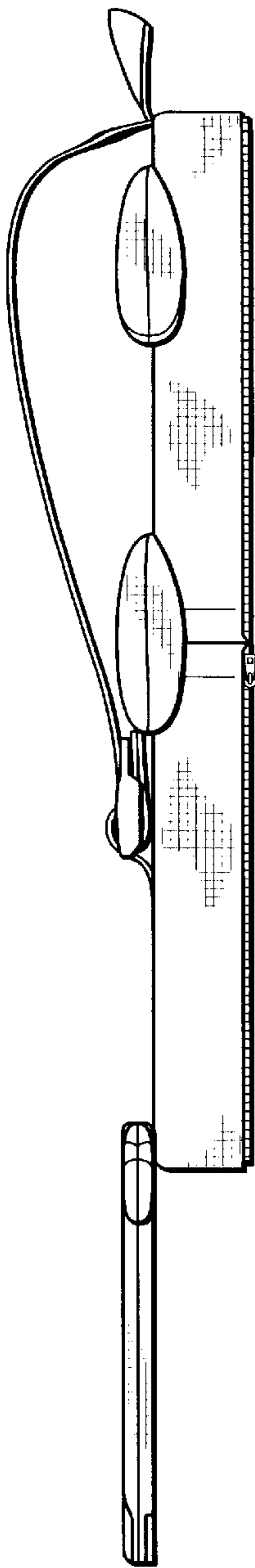


FIG. 19

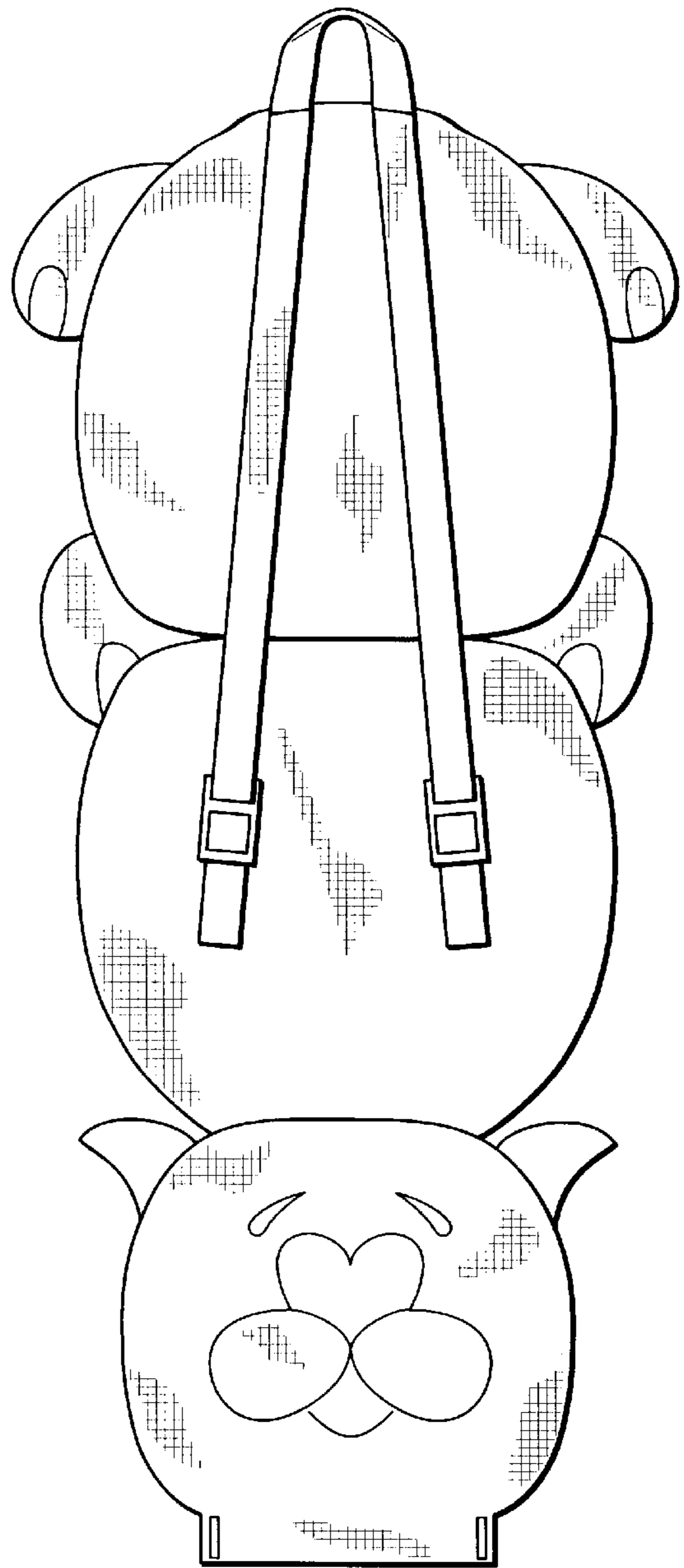


FIG. 17

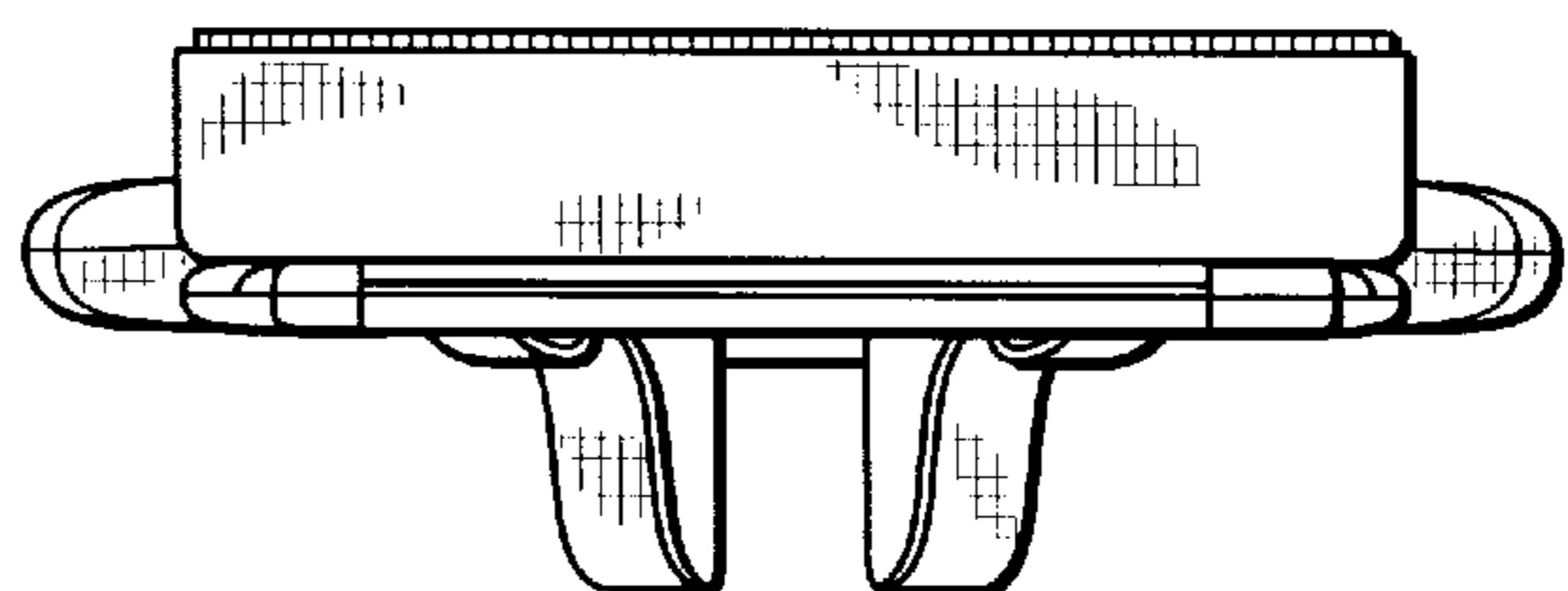


FIG. 18