



US00D448908B1

(12) **United States Design Patent**
Kangas et al.

(10) **Patent No.:** **US D448,908 S**

(45) **Date of Patent:** **** Oct. 2, 2001**

(54) **STEERING-GEAR FOR CONVEYOR**

(76) Inventors: **Guy Kangas**, Sandstensgatan 2, S-981
37 Kiruna; **Leo Wettainen**, Stenvägen
20, S-981 42 Kiruna., both of (SE)

(**) Term: **14 Years**

(21) Appl. No.: **29/121,619**

(22) Filed: **Apr. 11, 2000**

(30) **Foreign Application Priority Data**

Mar. 2, 2000 (DE) 4 00 02 475

(51) **LOC (7) Cl.** **12-05**

(52) **U.S. Cl.** **D34/35**

(58) **Field of Search** D34/28, 29, 35;
D8/499; 198/851, 838, 853, 825, 619; 104/93,
156, 106, 150

(56) **References Cited**

U.S. PATENT DOCUMENTS

- D. 247,289 * 2/1978 Christiansen D34/29 X
- D. 358,697 * 5/1995 Kawai D34/29
- D. 367,143 * 2/1996 Sauber D34/29
- D. 379,019 * 4/1997 Hubbard D34/29

- D. 398,729 * 9/1998 Hovsto et al. D34/29
- 3,338,381 * 8/1967 Imse 198/838
- 5,222,439 * 6/1993 Di Rosa 104/93 X
- 5,623,879 * 4/1997 Gersemsky et al. 104/93 X

* cited by examiner

Primary Examiner—Cynthia E. Ramirez
(74) *Attorney, Agent, or Firm*—Lerner, David, Littenberg,
Krumholz & Mentlik, LLP

(57) **CLAIM**

The ornamental design for a steering-gear for conveyor, as shown and described.

DESCRIPTION

FIG. 1 is a front, side perspective view of a steering-gear for conveyor in accordance with our invention;
 FIG. 2 is a front, side perspective view seen from the opposite side of FIG. 1;
 FIG. 3 is a rear, side perspective view thereof;
 FIG. 4 is a rear, side perspective view seen from the opposite side of FIG. 3;
 FIG. 5 is a bottom, front, perspective view thereof; and,
 FIG. 6 is a bottom, rear, perspective view thereof.

1 Claim, 3 Drawing Sheets

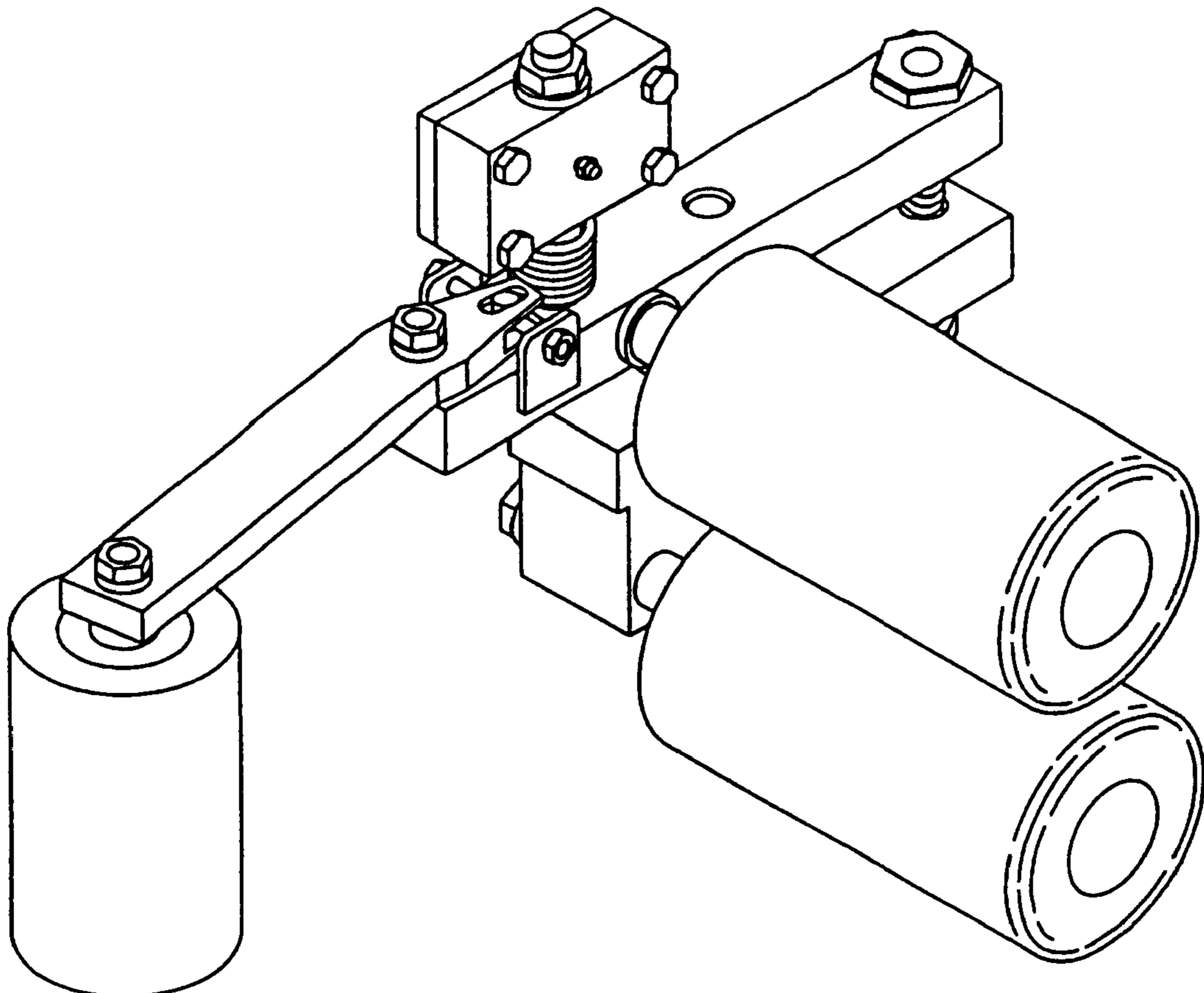


FIG. 1

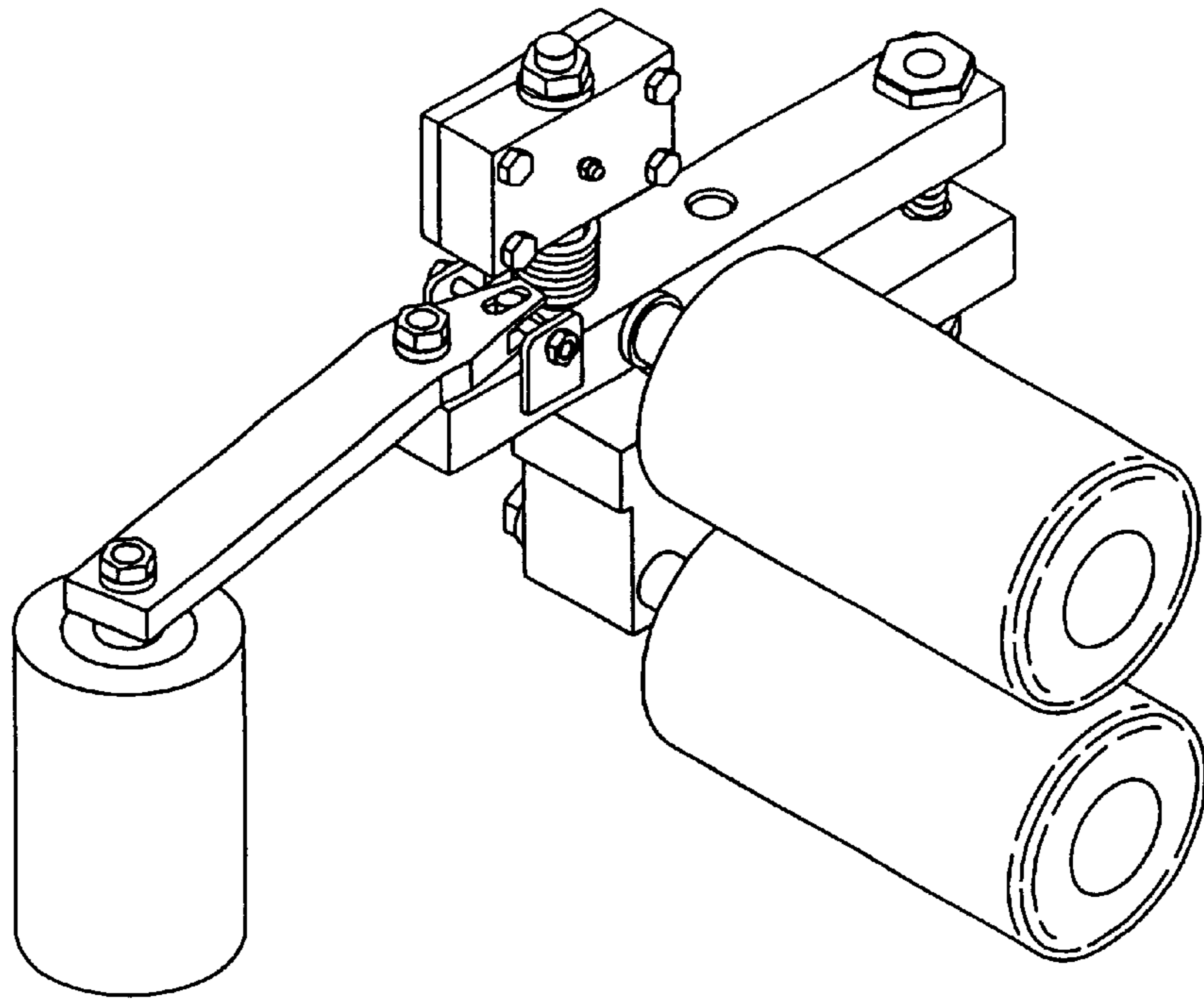


FIG. 2

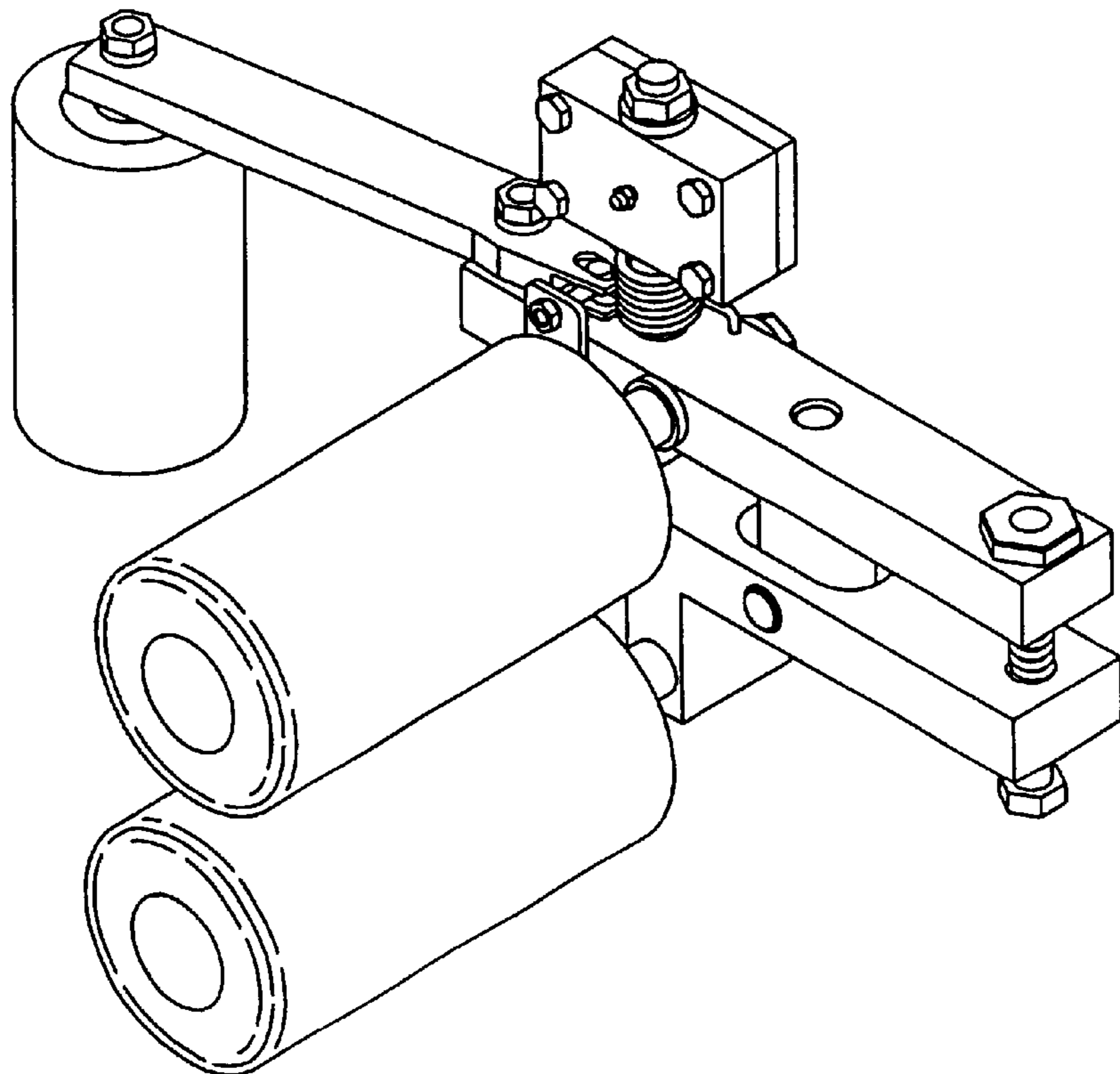


FIG. 3

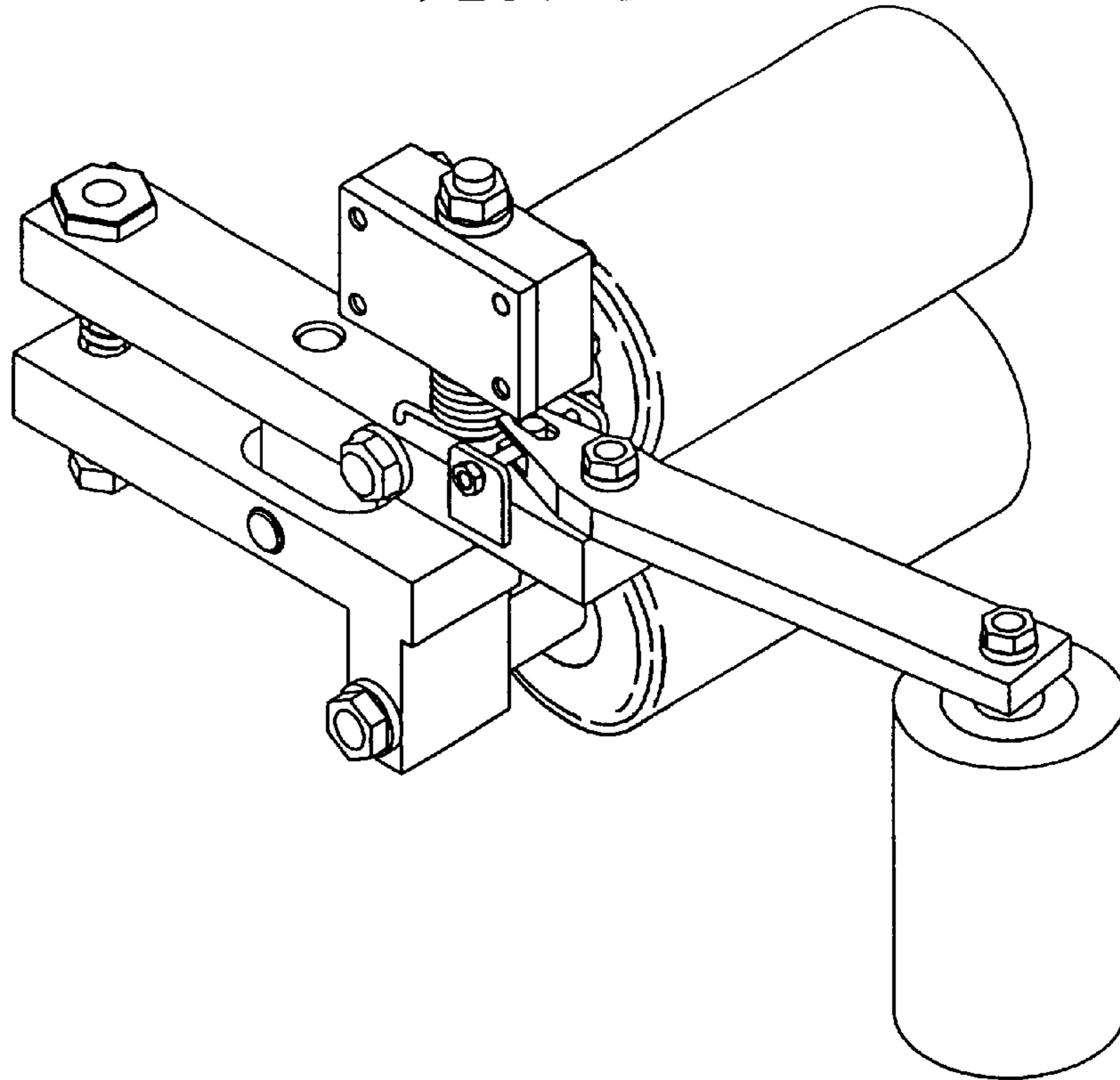


FIG. 4

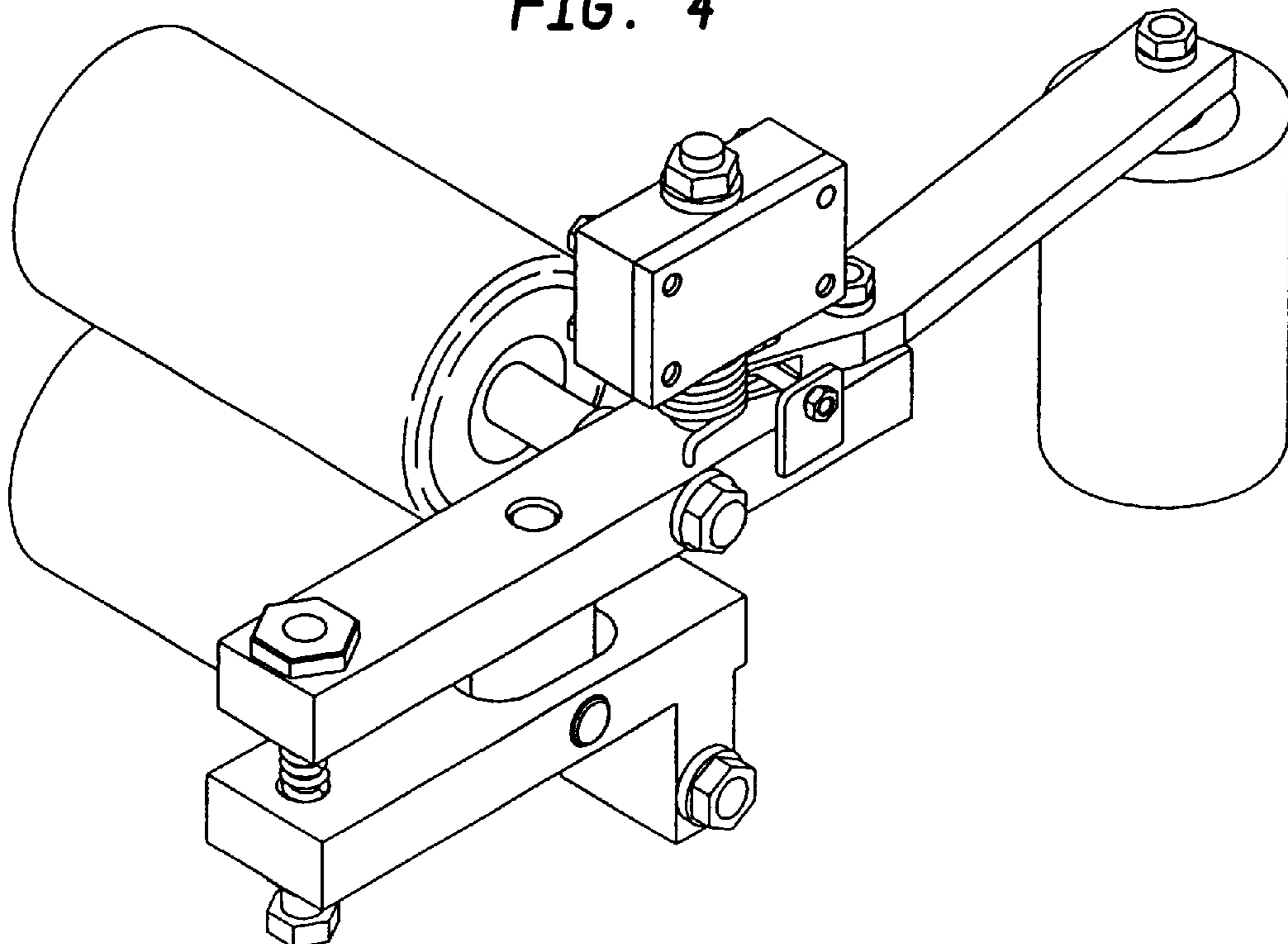


FIG. 5

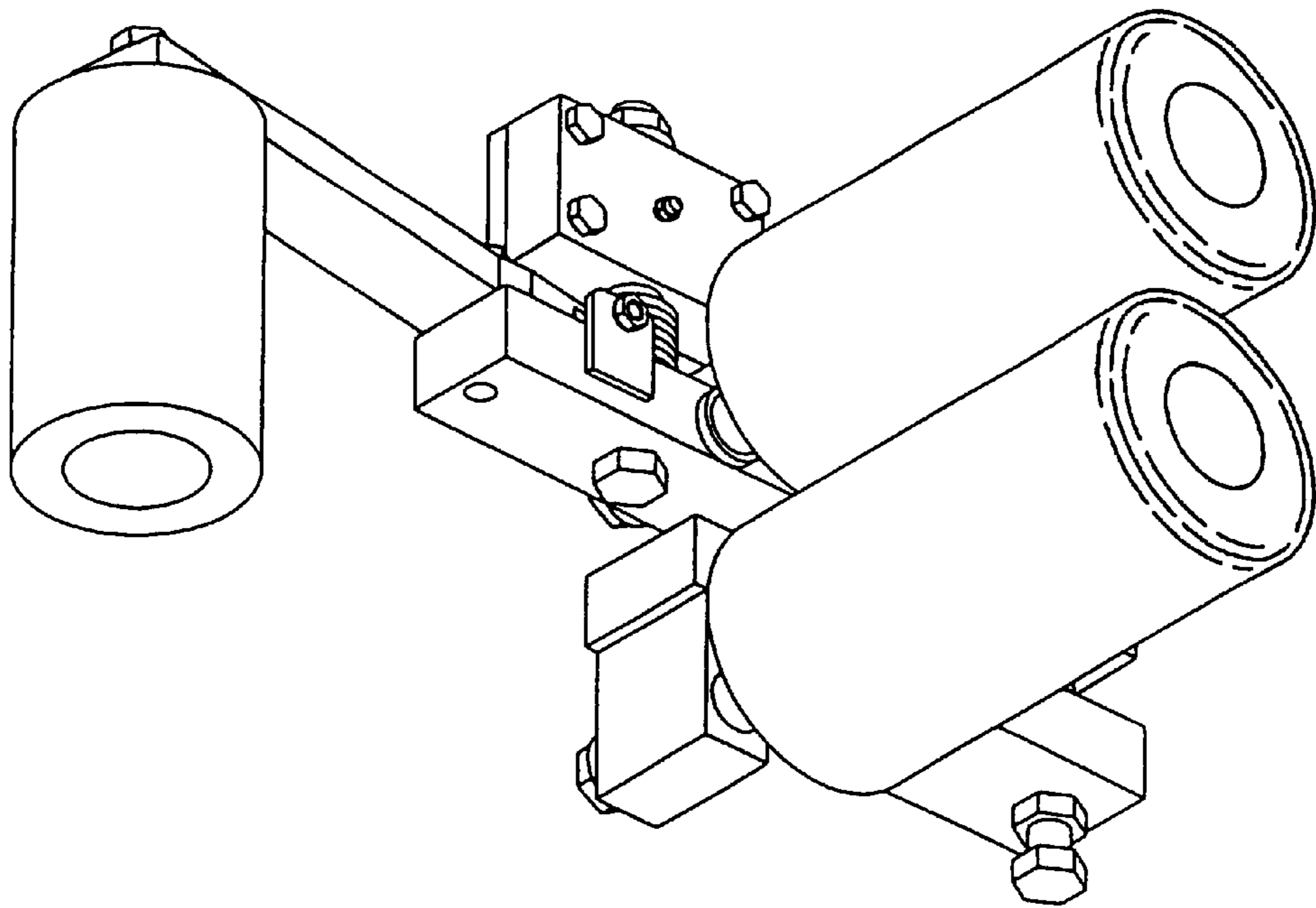


FIG. 6

