



US00D448907B1

(12) **United States Design Patent**
Tsai

(10) **Patent No.:** **US D448,907 S**

(45) **Date of Patent:** **** Oct. 2, 2001**

(54) **COLLAPSIBLE TROLLEY**

(76) Inventor: **James Tsai**, No. 103, Ta-Ming 1 Rd.,
Tung Pao Villiage, Tan Tzu Hsian,
Taichung Hsien (TW)

(**) Term: **14 Years**

(21) Appl. No.: **29/132,055**

(22) Filed: **Nov. 2, 2000**

(51) **LOC (7) Cl.** **12-02**

(52) **U.S. Cl.** **D34/26; D34/24**

(58) **Field of Search** D34/12-27; 280/40,
280/47.18, 47.13, 47.24, 47.29, 641, 648,
651, 655, 87.051

(56) **References Cited**

U.S. PATENT DOCUMENTS

D. 376,238 * 12/1996 Tsai D34/26

5,626,351 * 5/1997 Tsai 280/40

* cited by examiner

Primary Examiner—Kay H. Chin

(74) *Attorney, Agent, or Firm*—Browdy and Neimark,
PLLC

(57) **CLAIM**

The ornamental design for a collapsible trolley, as shown
and described.

DESCRIPTION

FIG. 1 is a front perspective view of a collapsible trolley in
expanded condition;

FIG. 2 is a right elevational view thereof;

FIG. 3 is a top plan view of the collapsible trolley;

FIG. 4 is a front elevational view of FIG. 3;

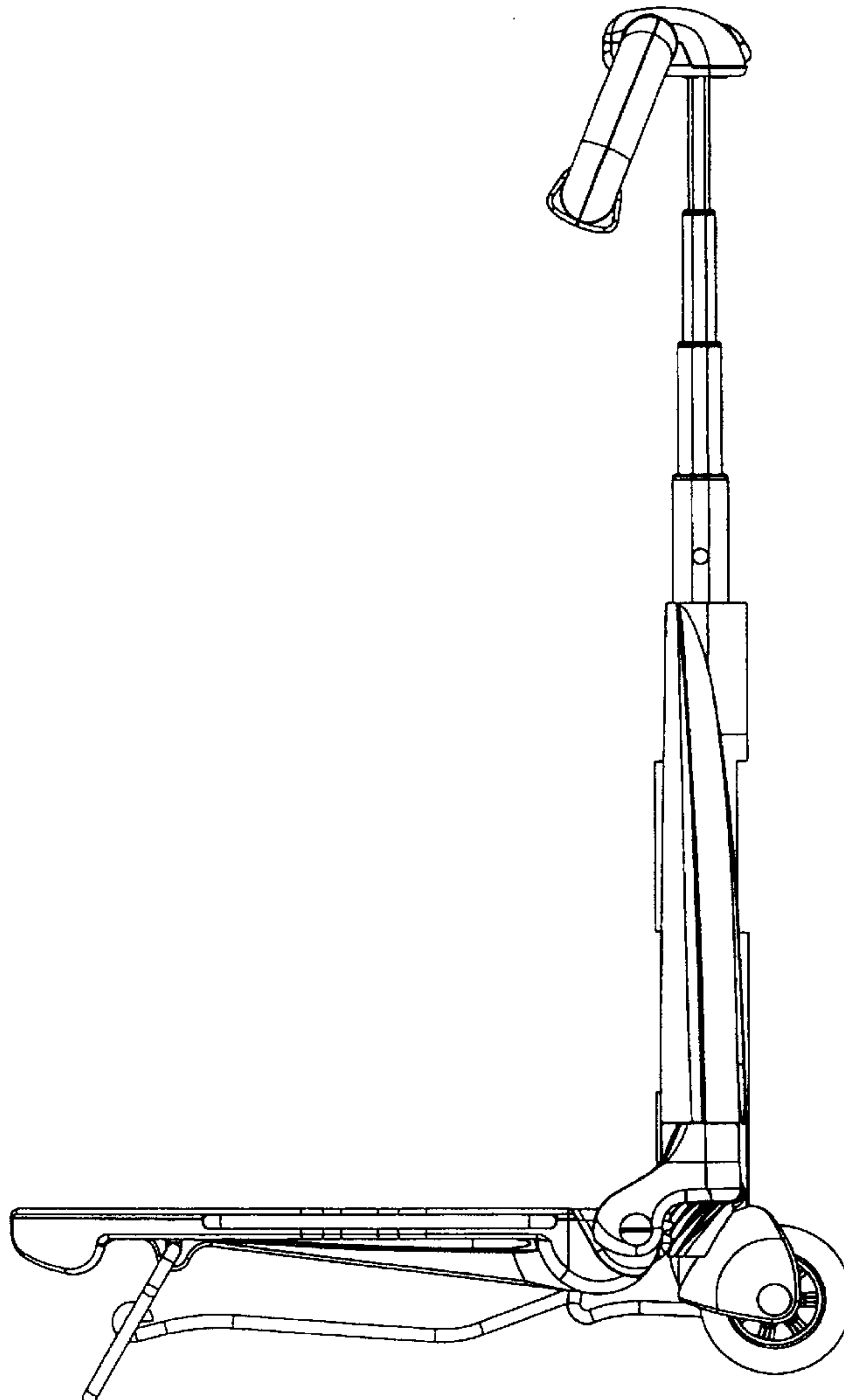
FIG. 5 is a bottom plan view of FIG. 3;

FIG. 6 is a left side elevational view of FIG. 3;

FIG. 7 is a rear elevational view of FIG. 3; and,

FIG. 8 is a perspective view thereof in collapsed condition.

1 Claim, 8 Drawing Sheets



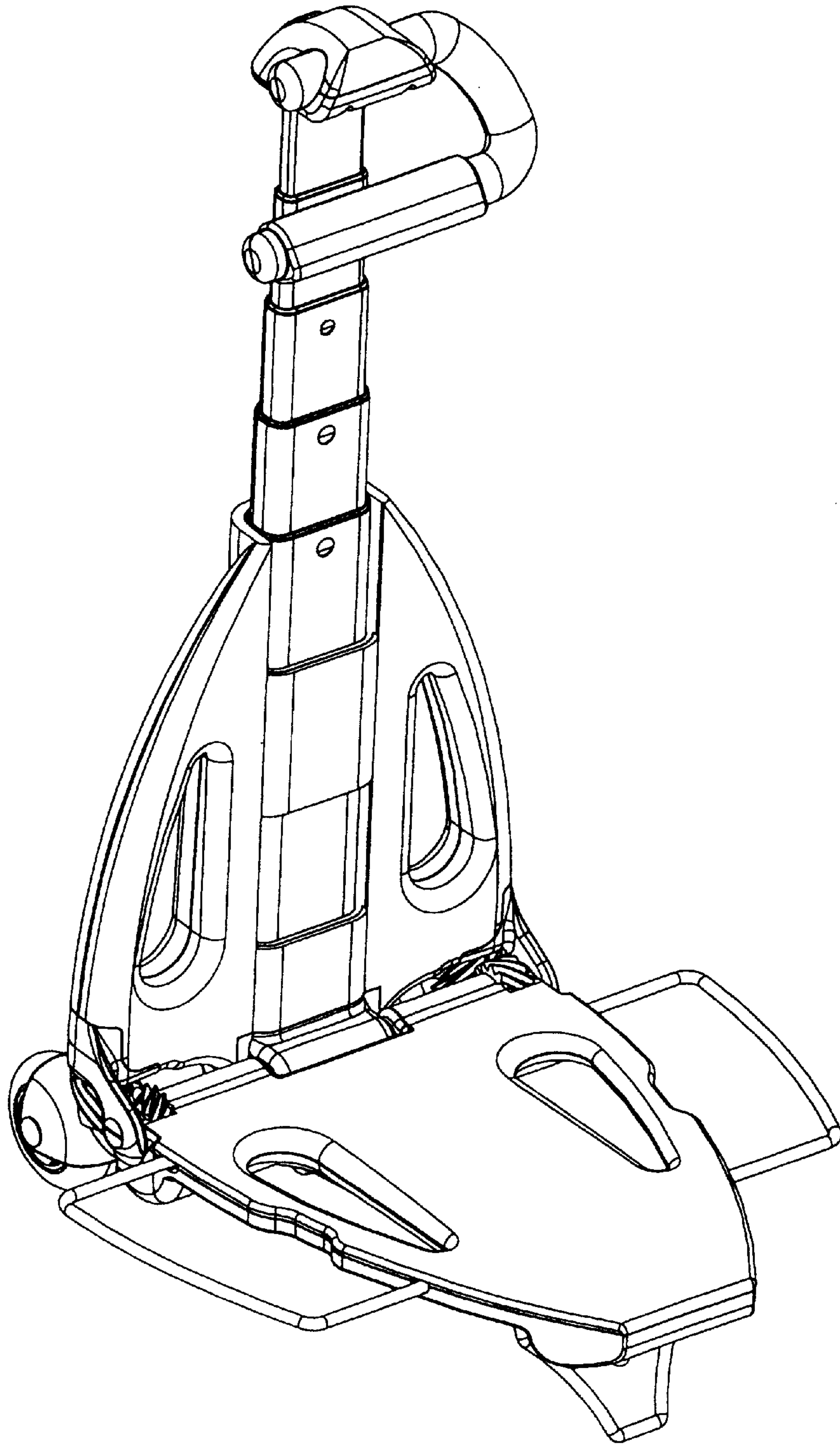


FIG. 1

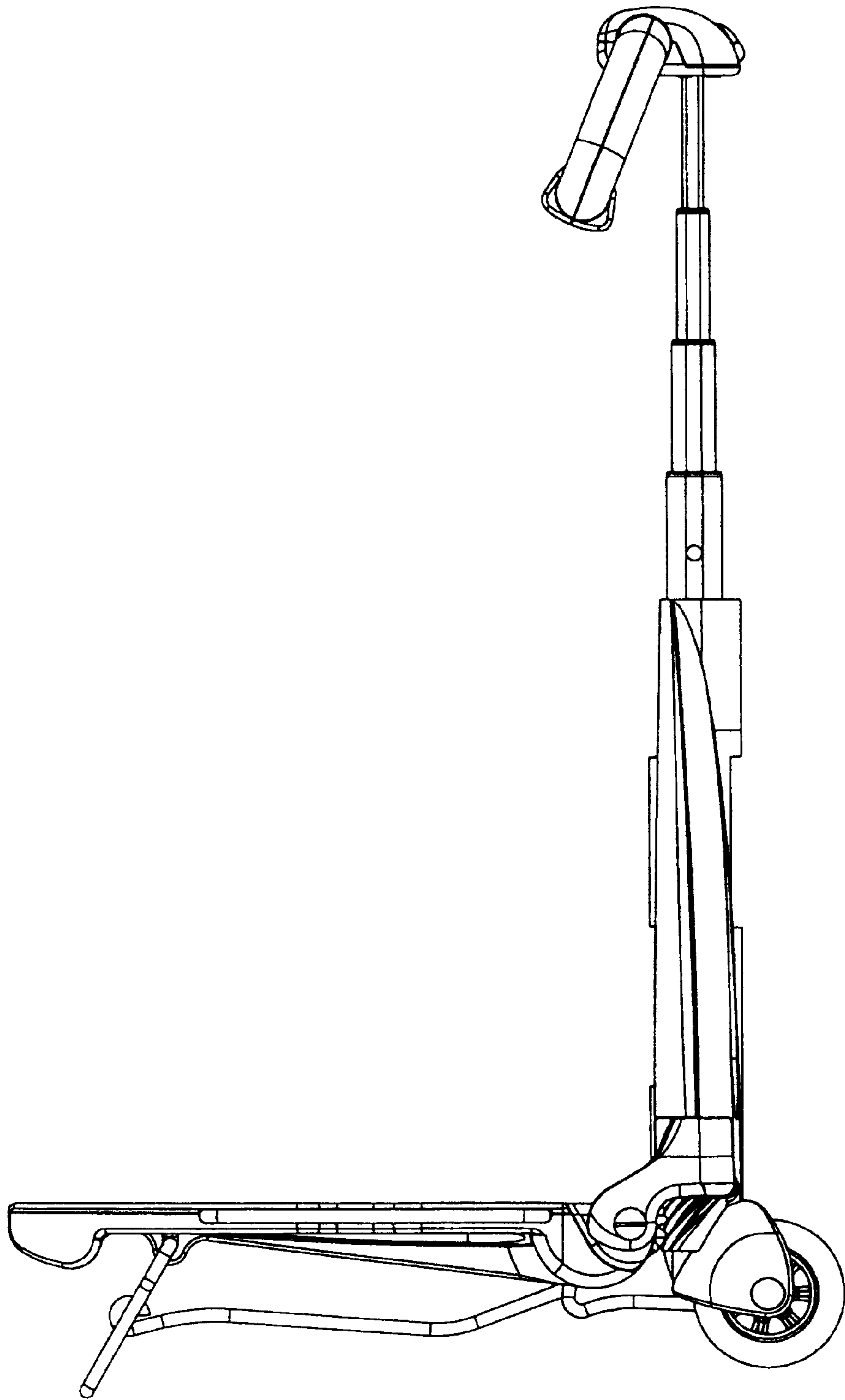


FIG. 2

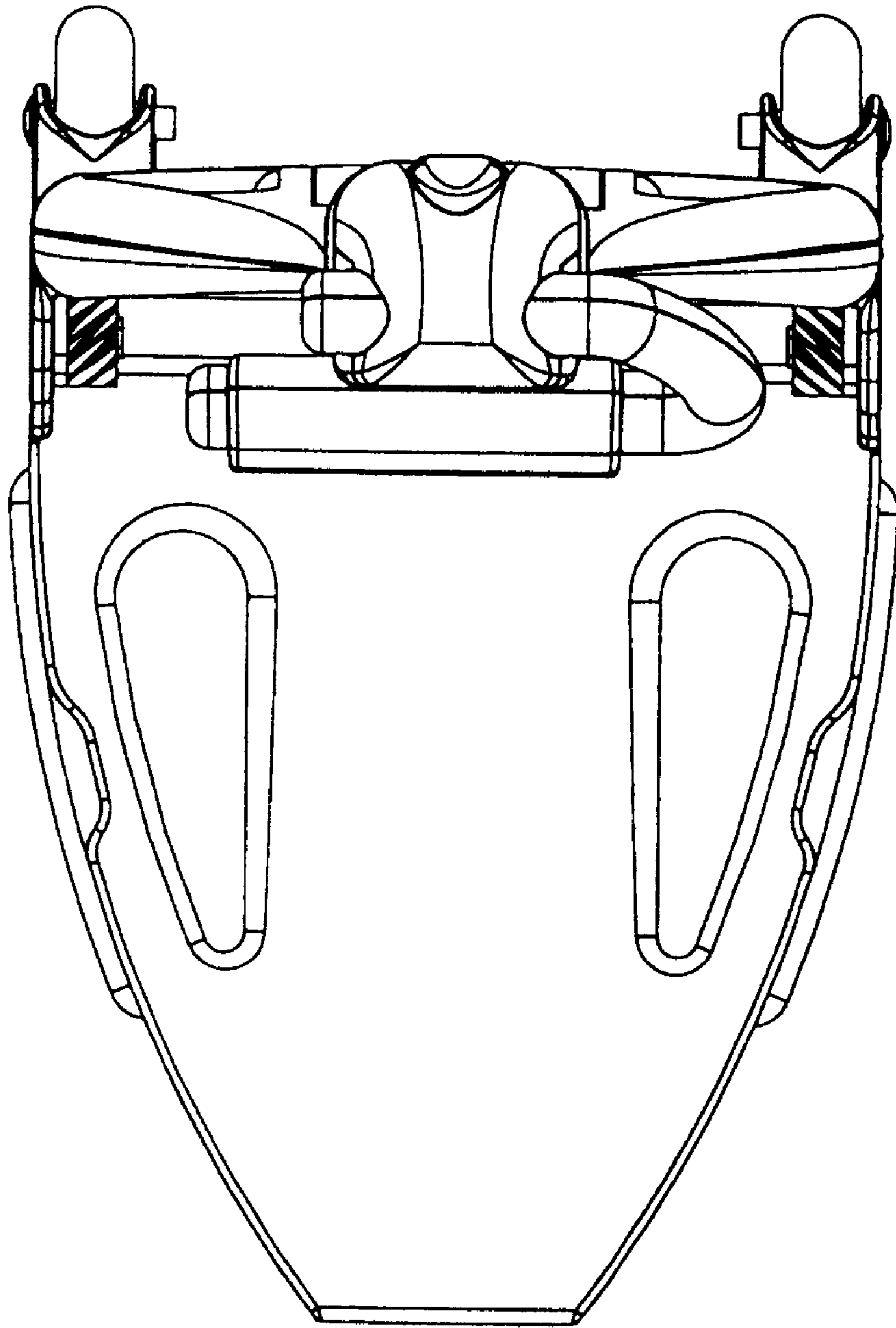


FIG. 3

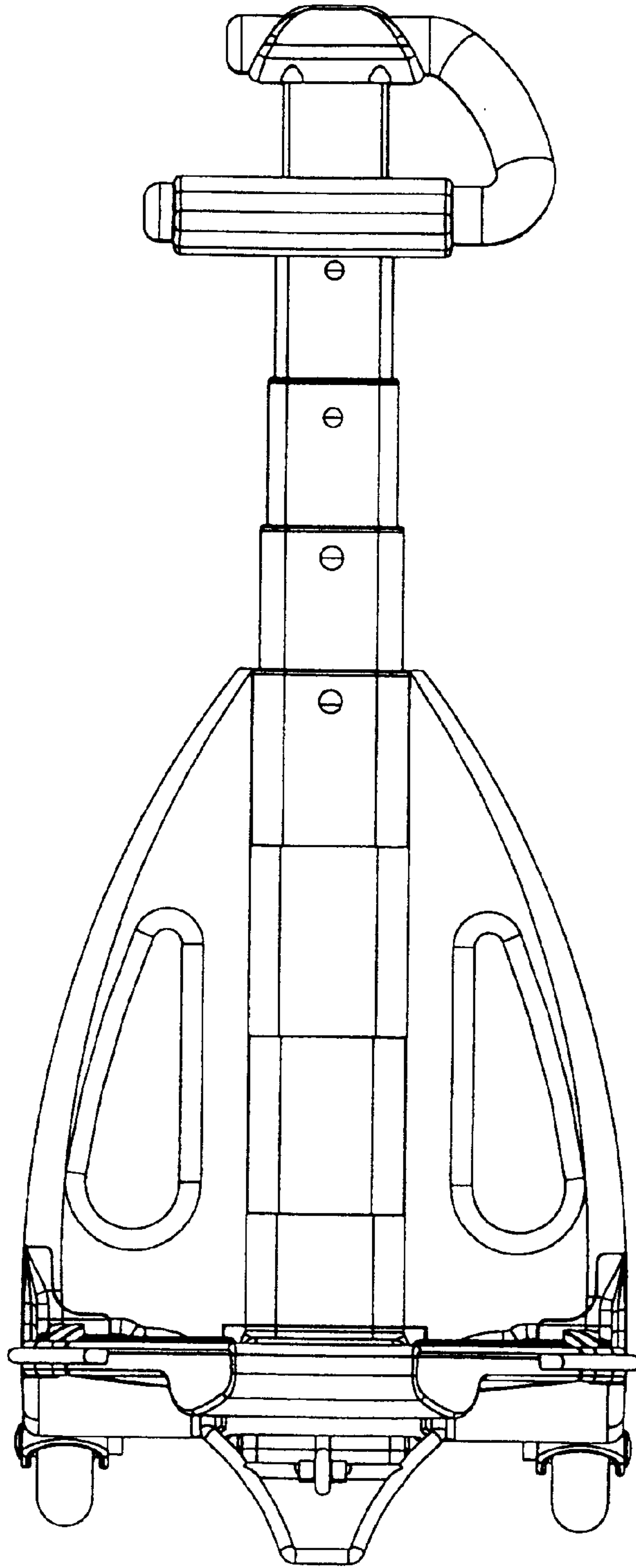


FIG. 4

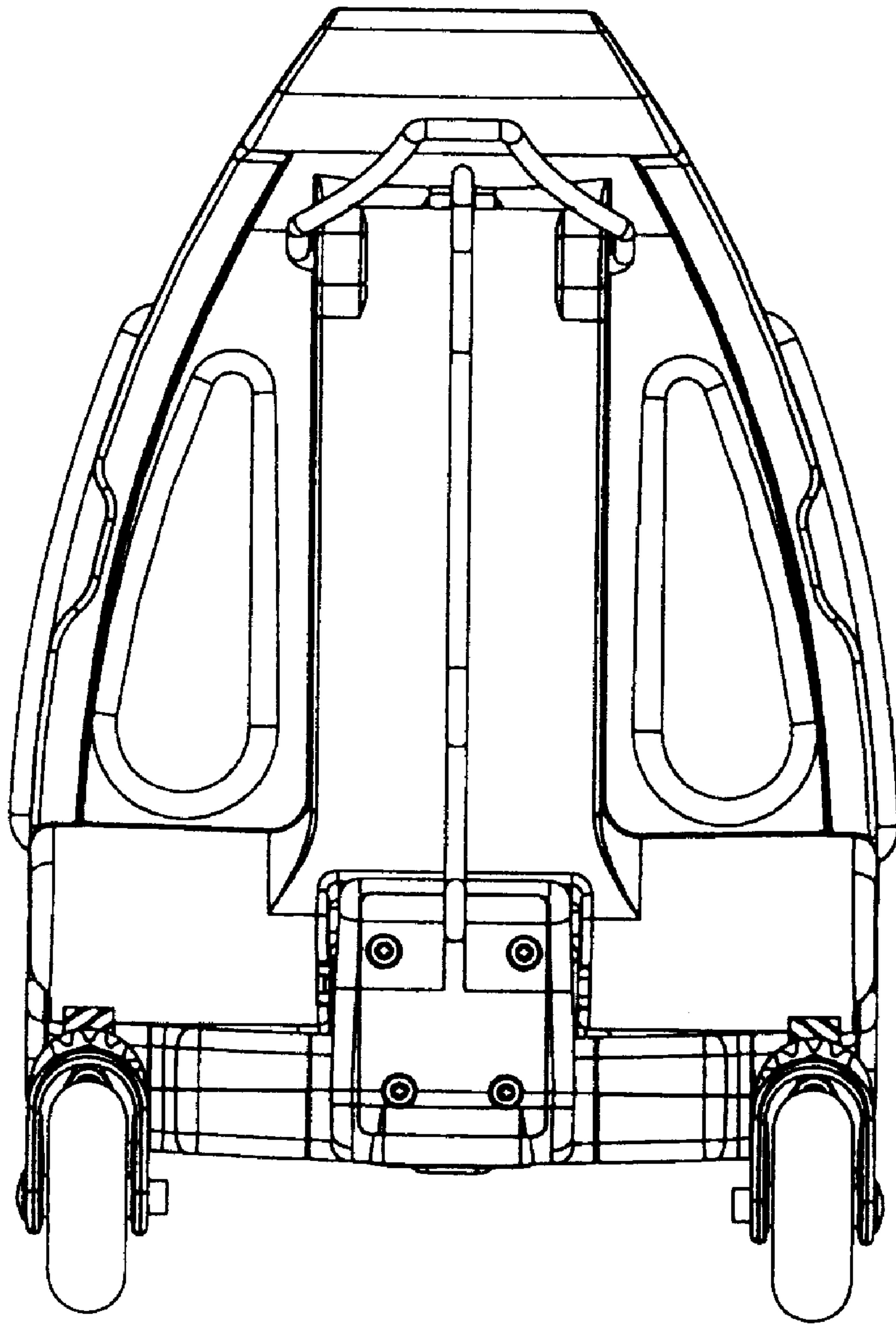


FIG. 5

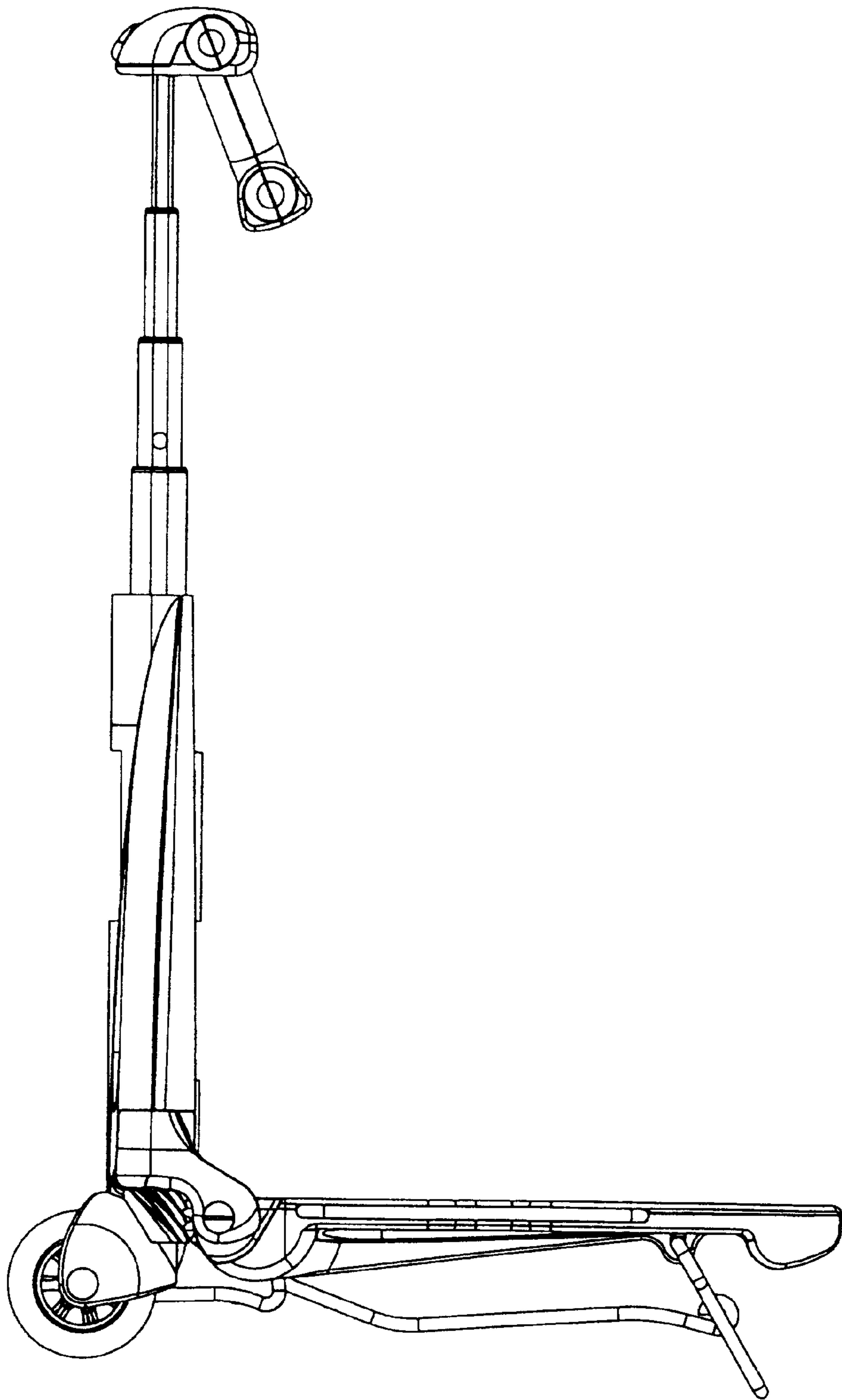


FIG. 6

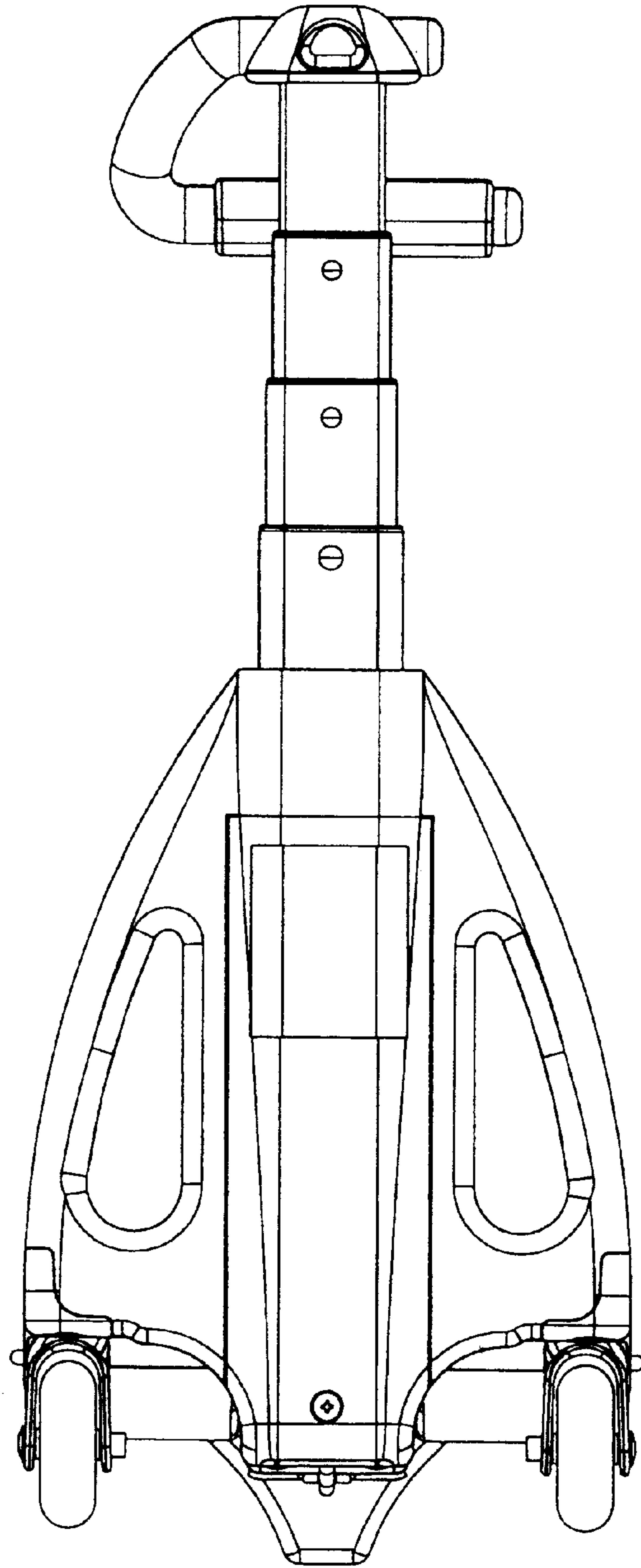


FIG. 7

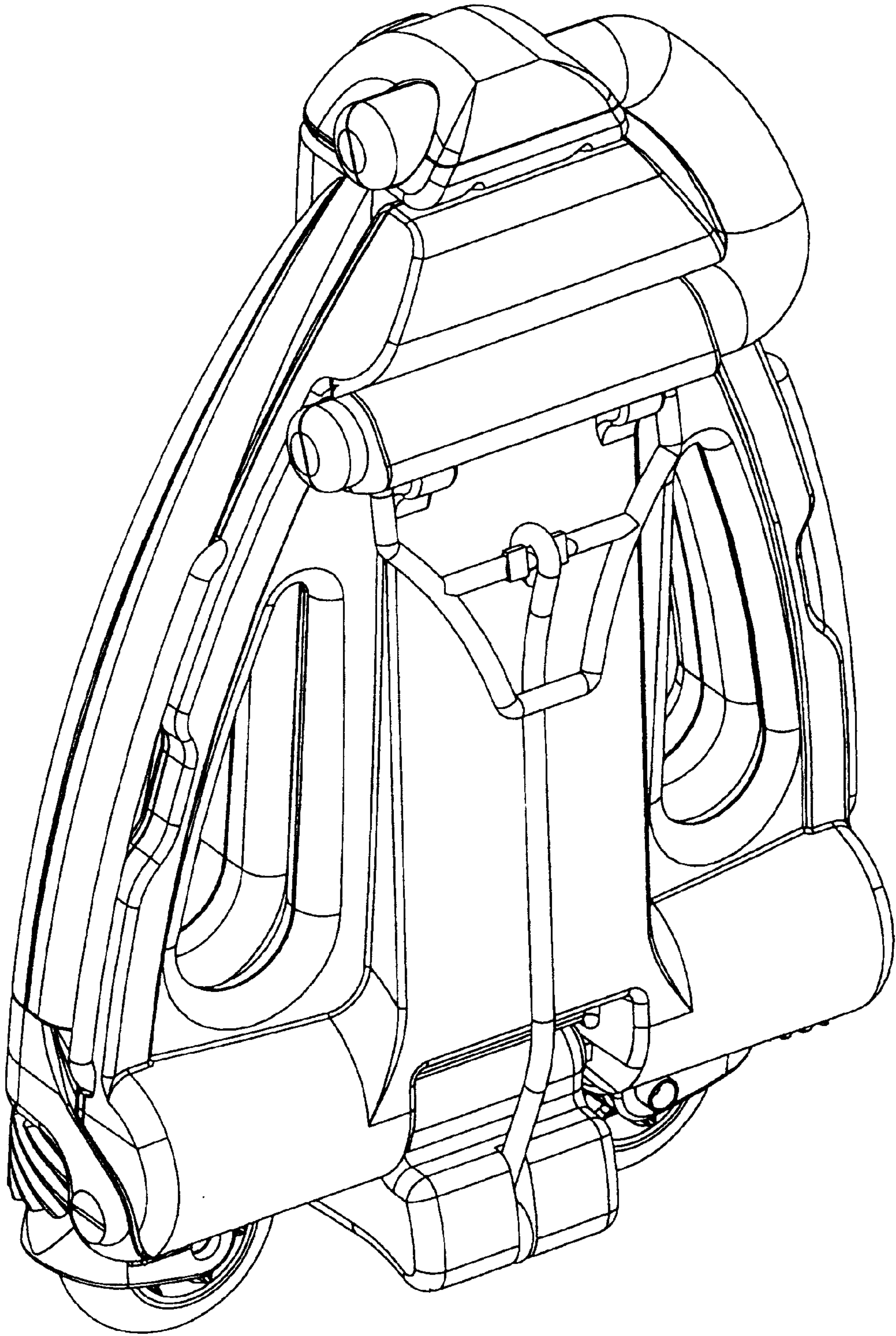


FIG. 8