



US00D44885B1

(12) **United States Design Patent**
Gismondi

(10) **Patent No.:** **US D448,885 S**

(45) **Date of Patent:** **** Oct. 2, 2001**

(54) **LAMP**

(75) Inventor: **Ernesto Gismondi, Milan (IT)**

(73) Assignee: **Artemide S.p.A., Milan (IT)**

(**) Term: **14 Years**

(21) Appl. No.: **29/129,518**

(22) Filed: **Sep. 15, 2000**

(51) **LOC (7) Cl.** **26-03**

(52) **U.S. Cl.** **D26/106**

(58) **Field of Search** D26/92-112, 75-79;
362/410-414, 217-225, 260

(56) **References Cited**

U.S. PATENT DOCUMENTS

- D. 130,572 * 12/1941 Livers D26/109
- D. 382,080 * 8/1997 De Lucchi D26/107
- D. 399,588 * 10/1998 St. Ives D26/76
- D. 403,462 * 12/1998 de Longcamp D26/107
- 5,931,556 * 8/1999 Herst et al. 362/225 X

* cited by examiner

Primary Examiner—Alan P. Douglas

Assistant Examiner—Linda Brooks

(74) *Attorney, Agent, or Firm*—Pitney, Hardin, Kipp & Szuch, LLP

(57) **CLAIM**

The ornamental design for a lamp, substantially as shown and described.

DESCRIPTION

FIG. 1 is a front elevation view, the rear elevation view being the same, of a first embodiment of my design for a lamp;

FIG. 2 is a lateral elevation of the right side view of the lamp of FIG. 1, the lateral elevation of the left side being the same as that of the right side;

FIG. 3 is an underside view of the lamp of FIG. 1;

FIG. 4 is a plan view of the lamp of FIG. 1;

FIG. 5 is a larger-scale view of a detail of the lamp of FIG. 3;

FIG. 6 is a front elevational view, the rear elevation view being the same, of a second embodiment of my design for a lamp;

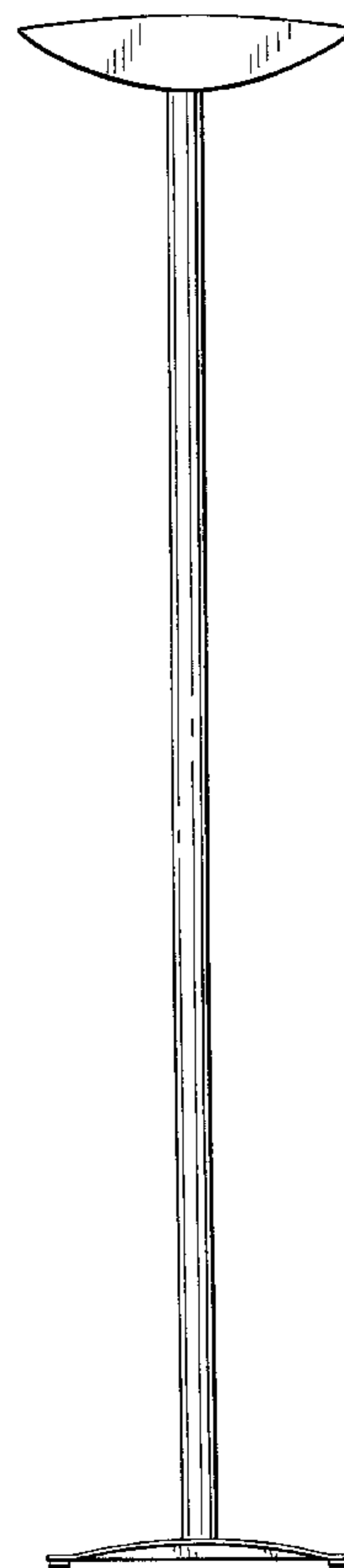
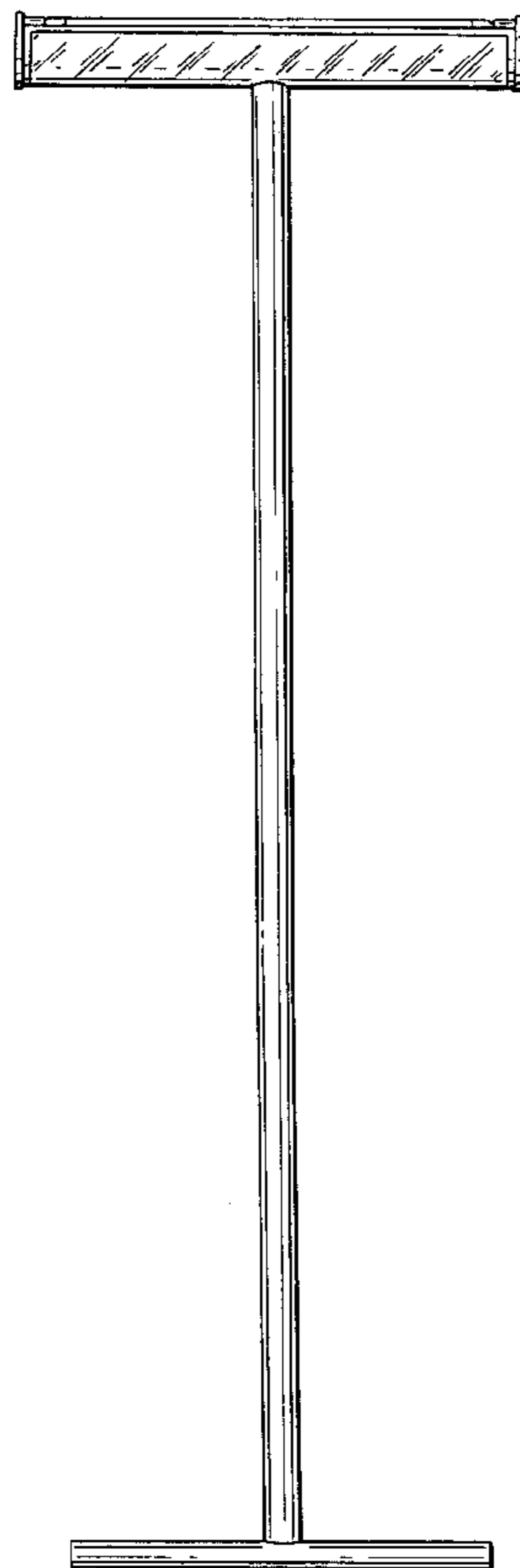
FIG. 7 is a lateral elevation of the right side view of the lamp of FIG. 6, the lateral elevation of the left side being the same as that of the right side;

FIG. 8 is an underside view of the lamp of FIG. 6;

FIG. 9 is a plan view of the lamp of FIG. 6; and,

FIG. 10 is a larger-scale view of a detail of the lamp of FIG. 8.

1 Claim, 4 Drawing Sheets



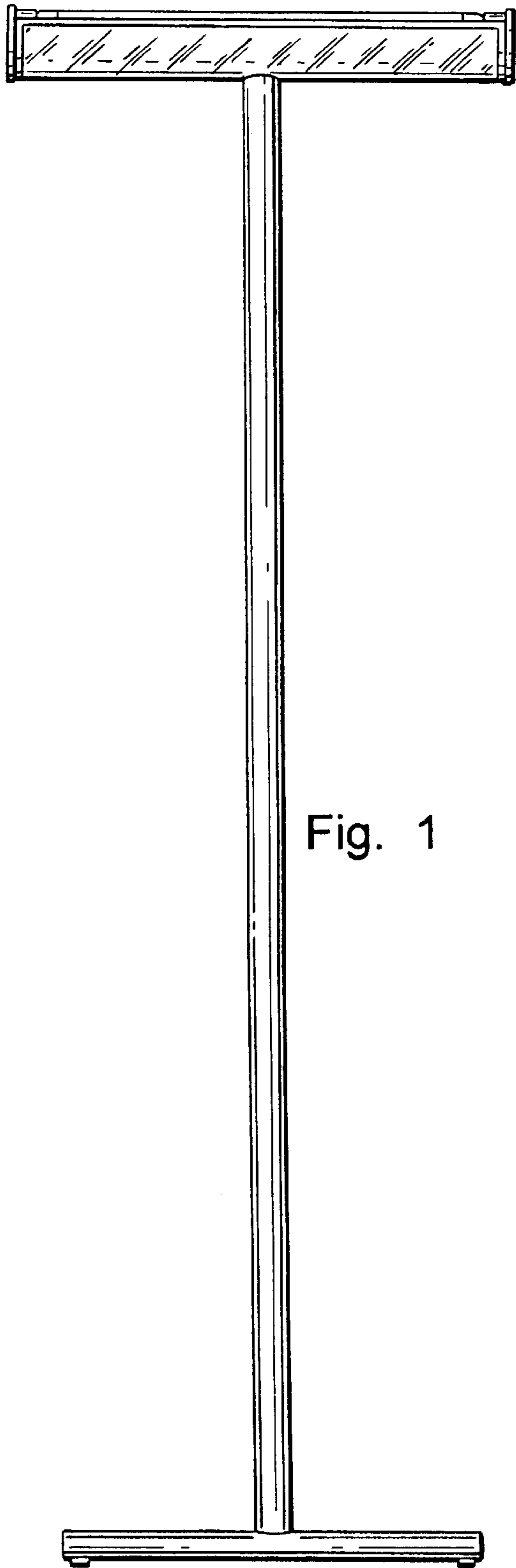


Fig. 1

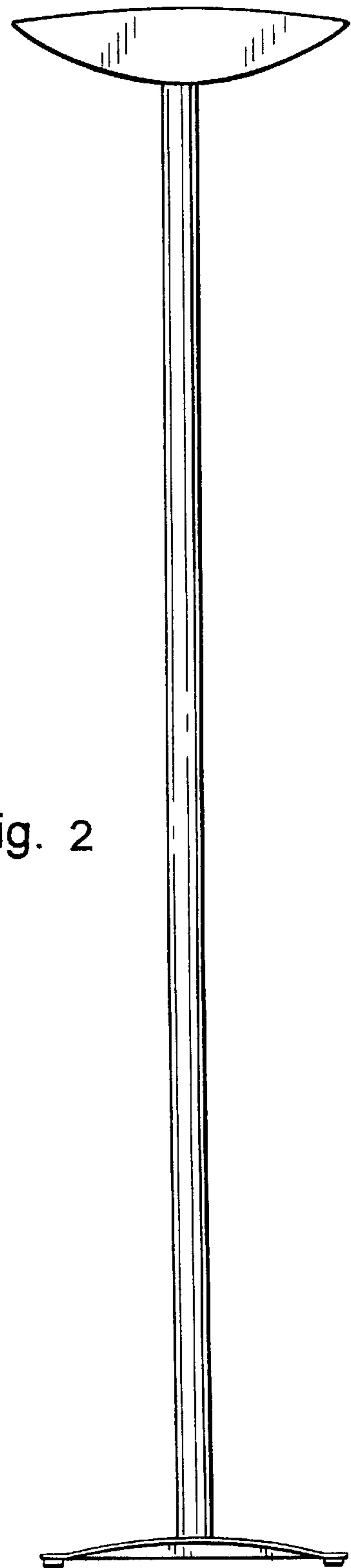


Fig. 2

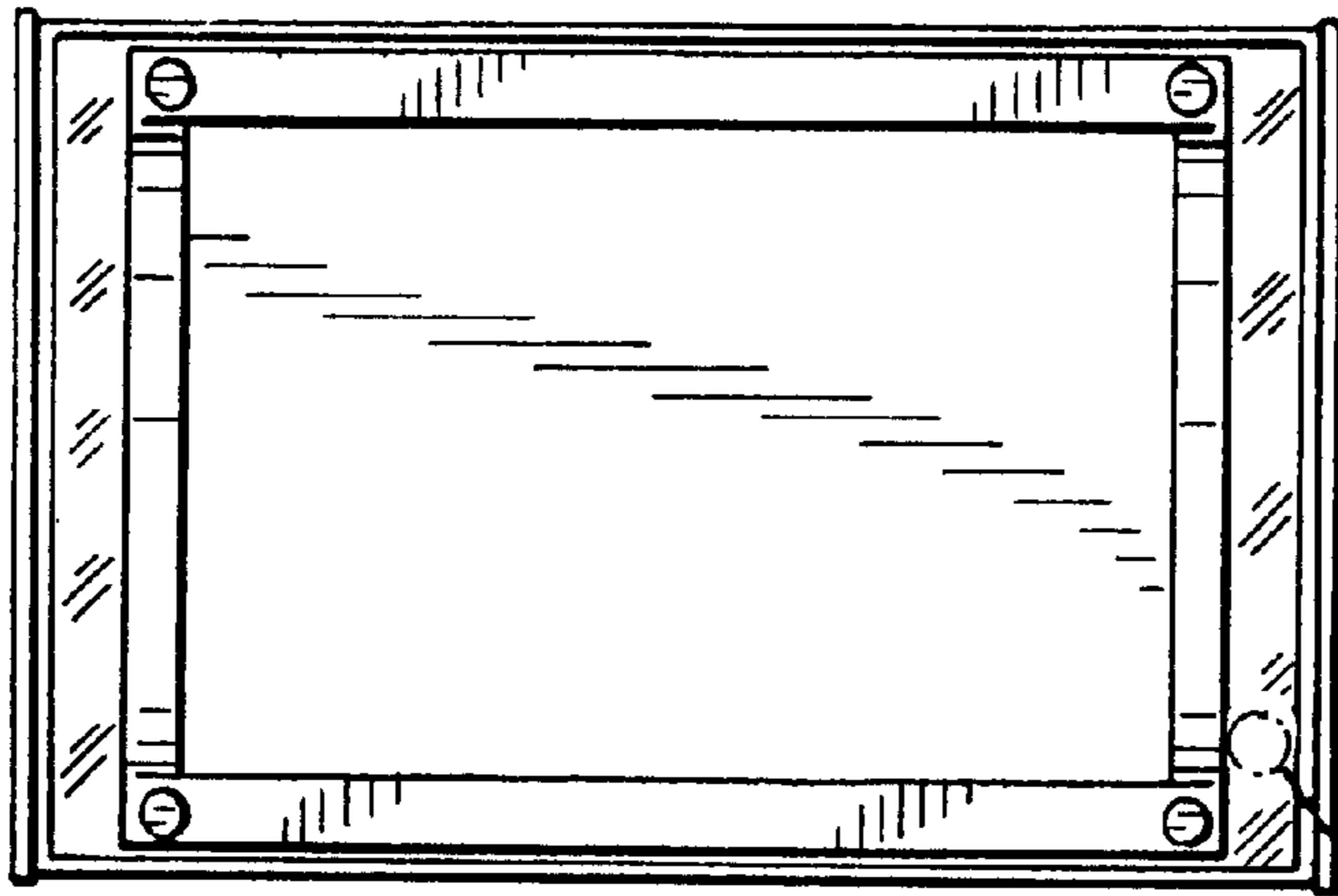


Fig. 3

Fig. 5

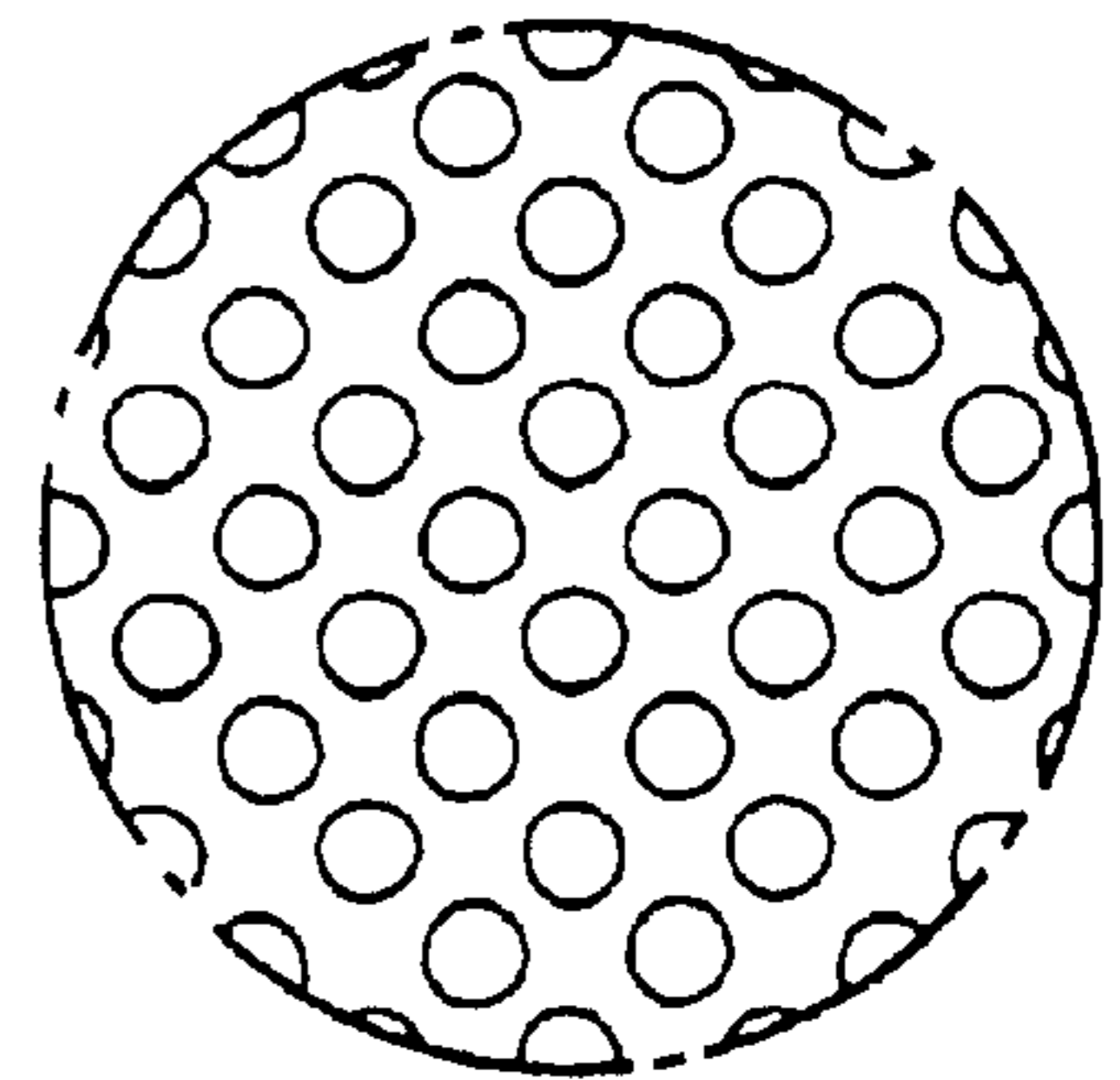
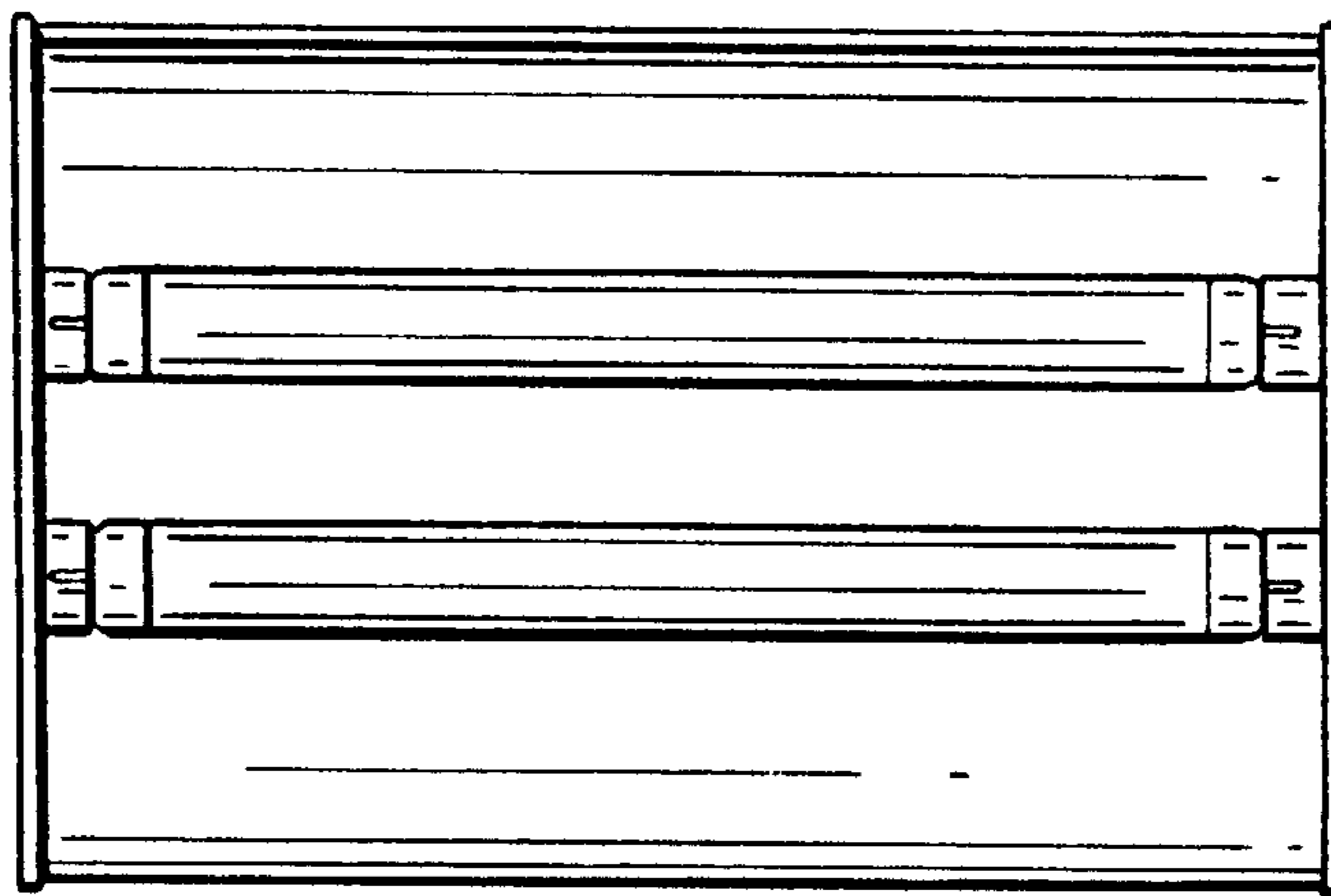


Fig. 5

Fig. 4



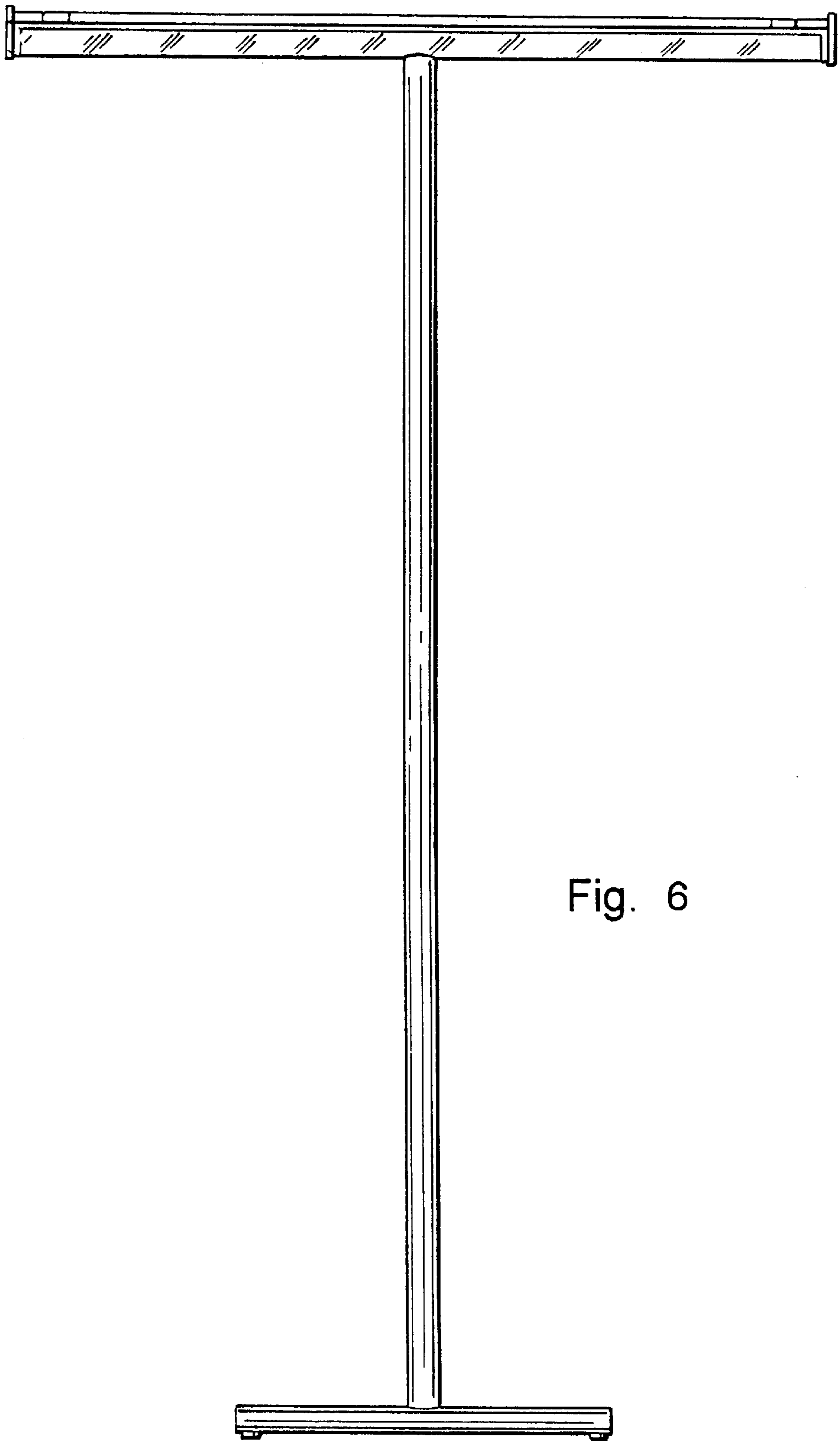


Fig. 6

Fig. 10

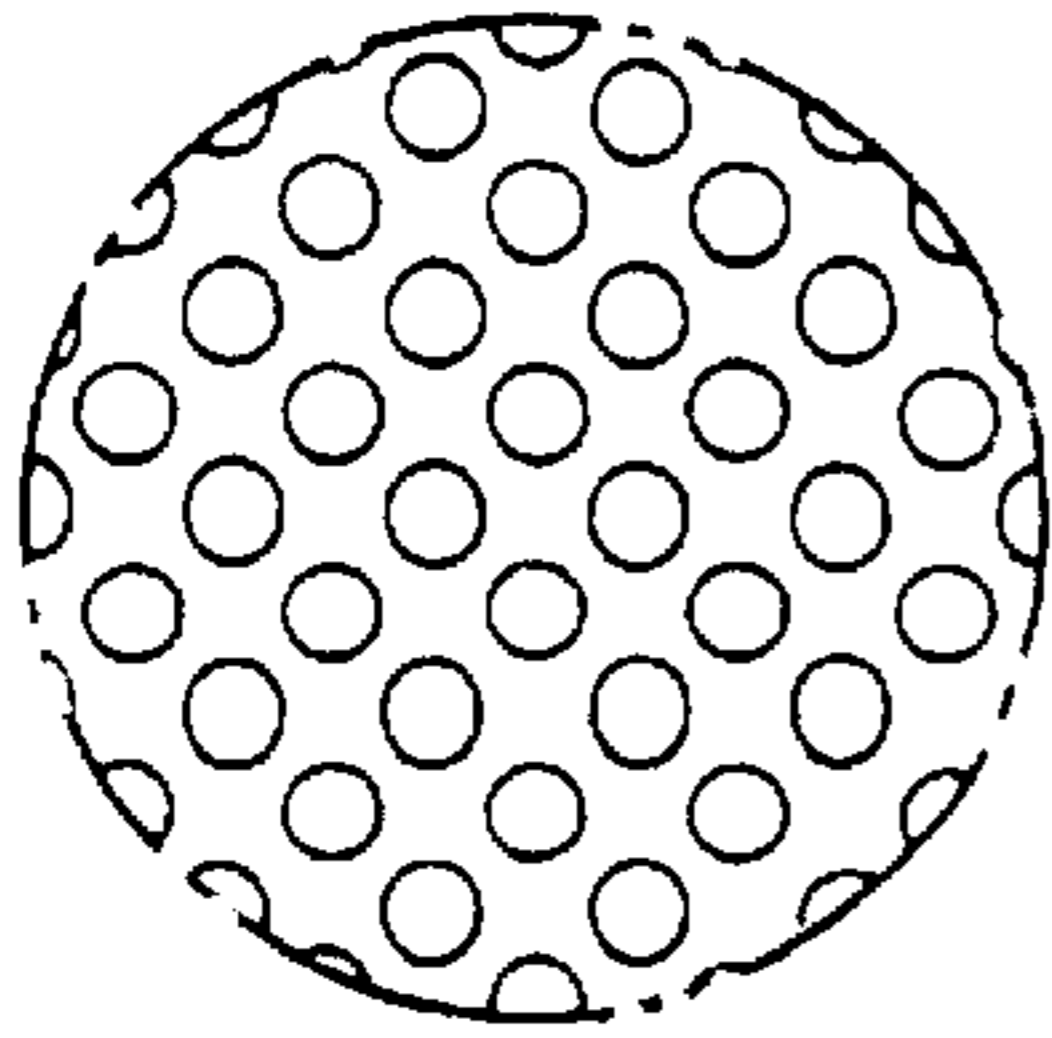


Fig. 10

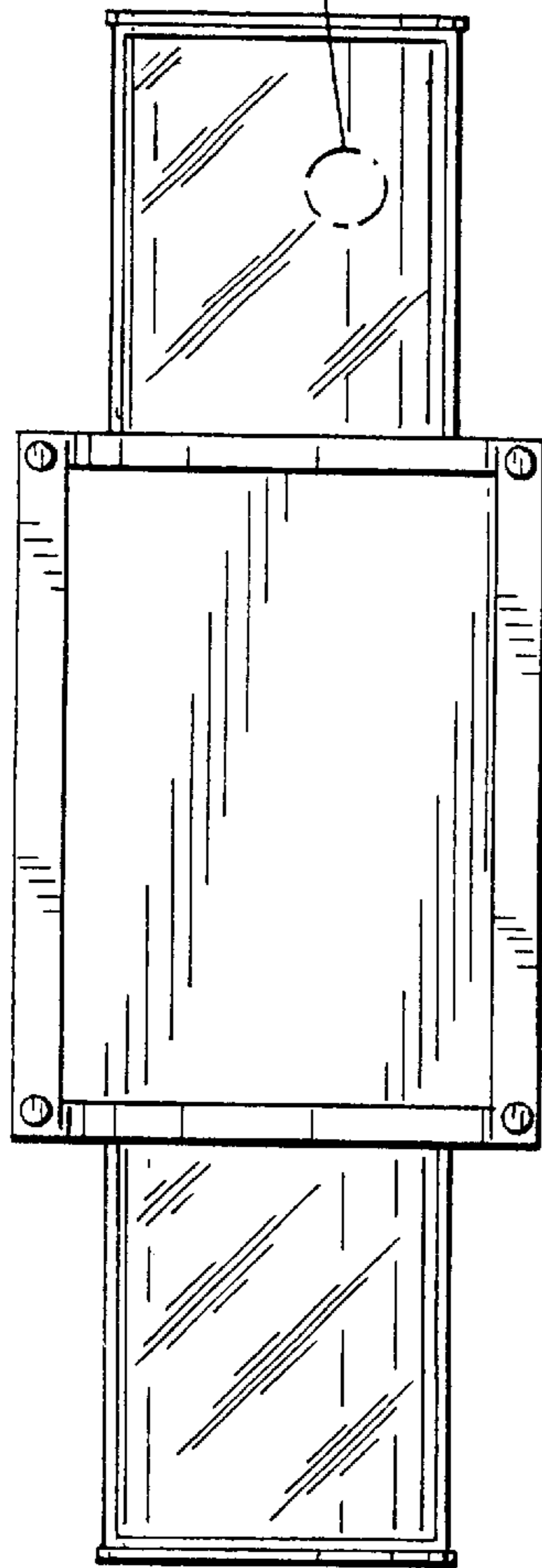


Fig. 8

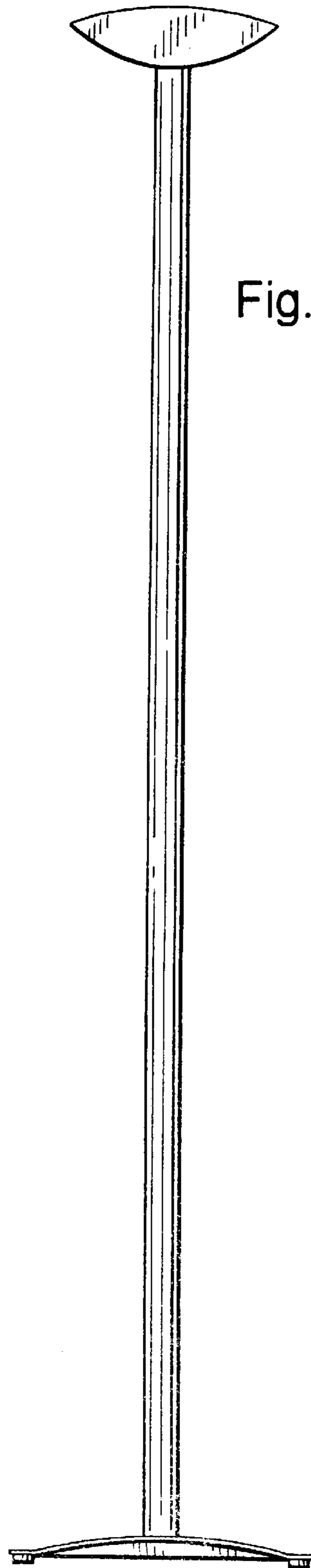


Fig. 7

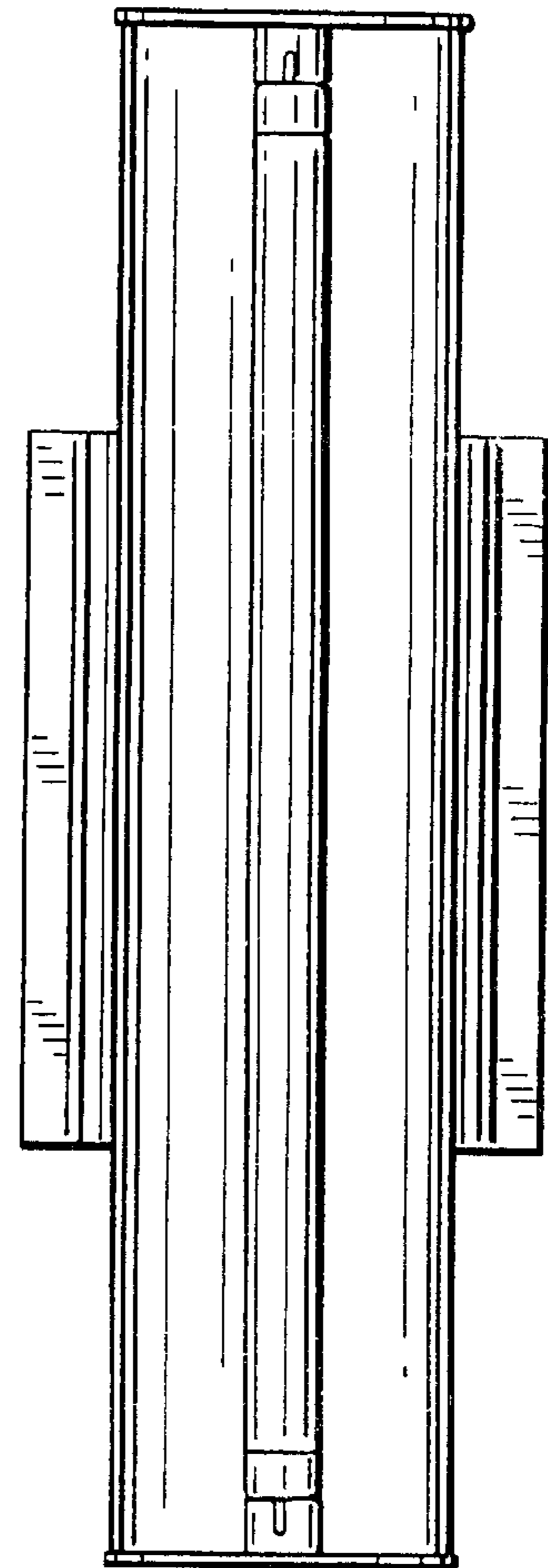


Fig. 9

UNITED STATES PATENT AND TRADEMARK OFFICE
CERTIFICATE OF CORRECTION

PATENT NO. : Des. 448,885 S
DATED : October 2, 2001
INVENTOR(S) : Ernesto Gismondi

Page 1 of 1

It is certified that error appears in the above-identified patent and that said Letters Patent is hereby corrected as shown below:

Title page,

Item [30], should read:

-- [30] **Foreign Application Priority Data**

March 17, 2000 (IT) T020000 000066 --

Signed and Sealed this

Eleventh Day of February, 2003



JAMES E. ROGAN

Director of the United States Patent and Trademark Office