



US00D448881B1

(12) **United States Design Patent**  
**Lin**

(10) **Patent No.:** **US D448,881 S**

(45) **Date of Patent:** **\*\* Oct. 2, 2001**

(54) **WALL LAMP**

(74) *Attorney, Agent, or Firm*—Dougherty & Troxell

(76) **Inventor:** **Michael Lin**, 8F., No. 659, Chung Cheng Rd., Hsingchuangm Taipei Hsien. (TW)

(57) **CLAIM**

The ornamental design for a wall lamp, as shown and Described.

(\*\*) **Term:** **14 Years**

**DESCRIPTION**

(21) **Appl. No.:** **29/136,119**

FIG. 1 is a Perspective View

(22) **Filed:** **Jan. 26, 2001**

FIG. 2 is a Front View Thereof

(51) **LOC (7) Cl.** ..... **26-05**

FIG. 3 is a Top plan View Thereof

(52) **U.S. Cl.** ..... **D26/87; D26/155**

FIG. 4 is a Bottom Plan View Thereof

(58) **Field of Search** ..... **D26/87, 92, 155; 362/147, 432; D6/553; 211/87, 88**

FIG. 5 is a Left Side Elevational View Thereof

(56) **References Cited**

**PUBLICATIONS**

FIG. 6 is a Rear View Thereof; and,

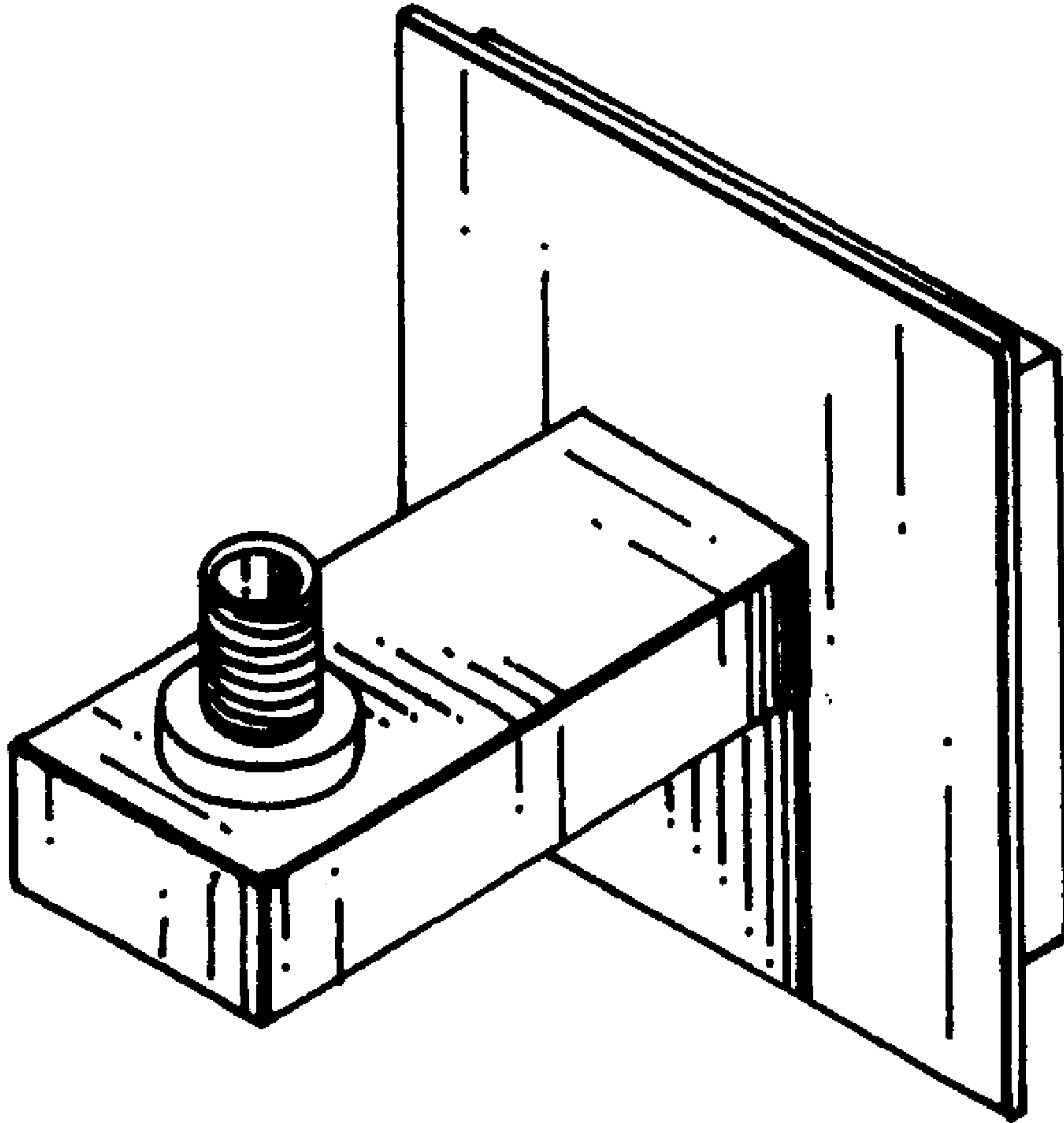
Visa Lighting catalog, 1987, p. 2, wall lamp.\*

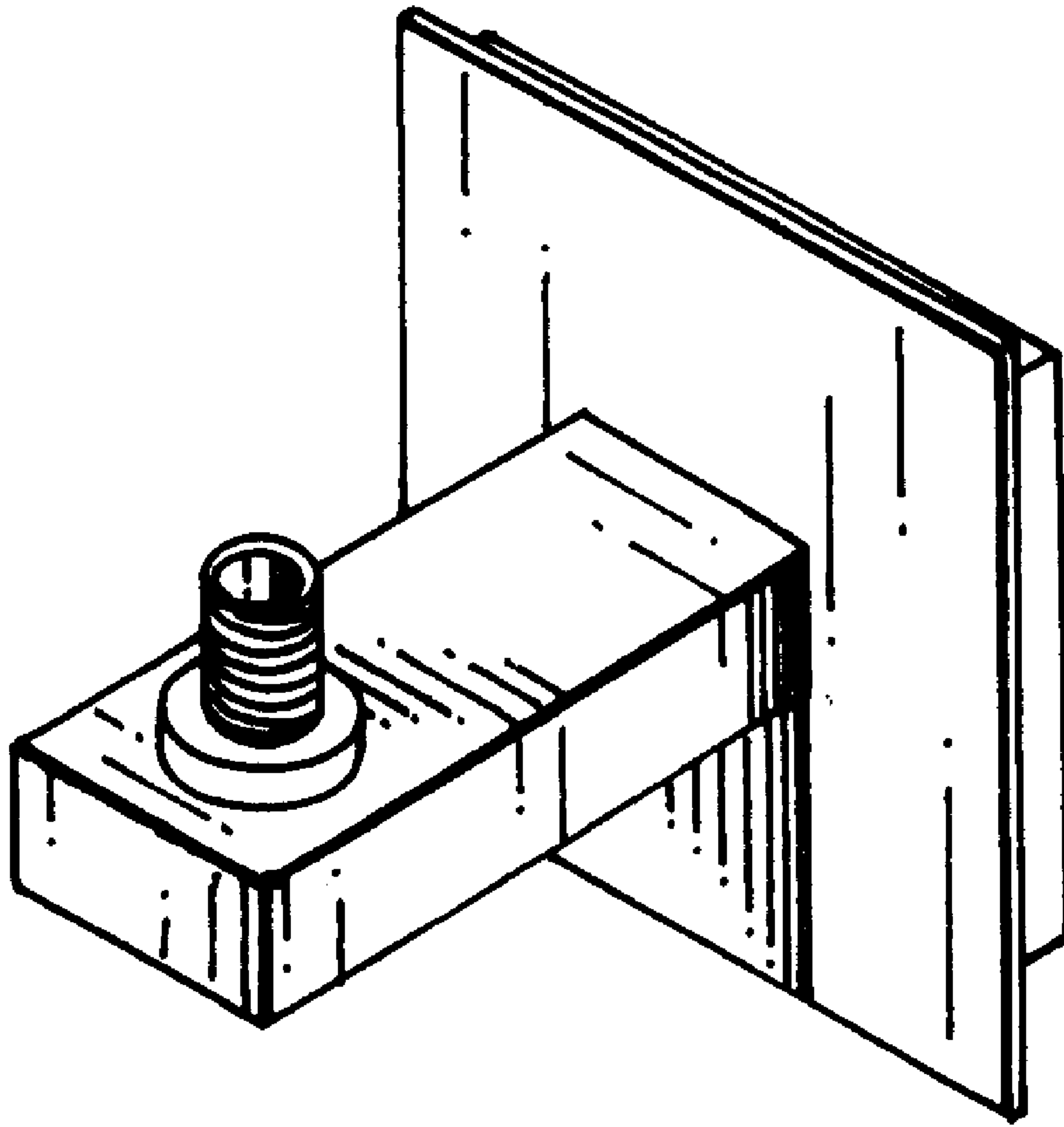
FIG. 7 is a Right Side Elevational View Thereof.

\* cited by examiner

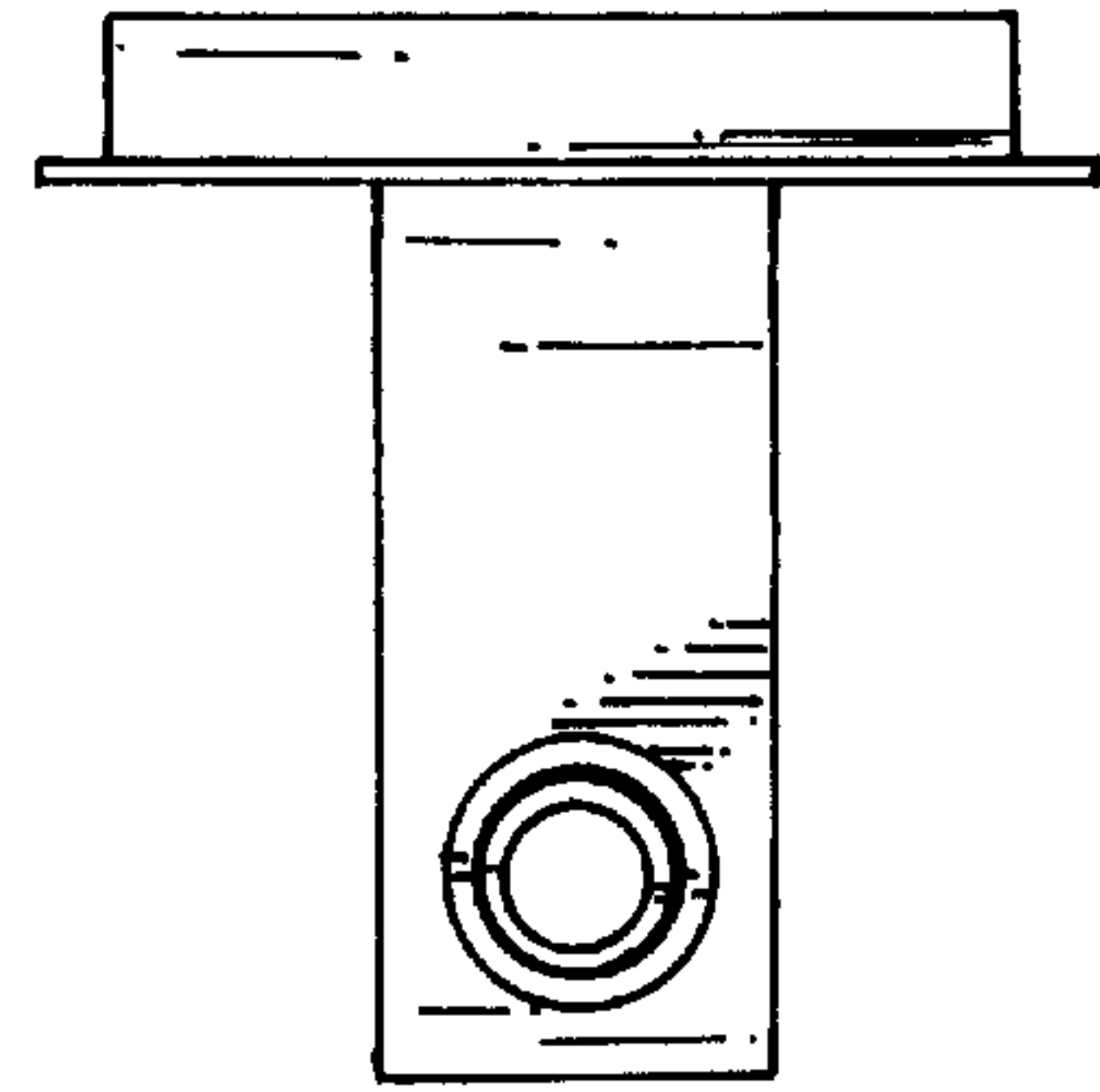
*Primary Examiner*—Susan J. Lucas

**1 Claim, 3 Drawing Sheets**

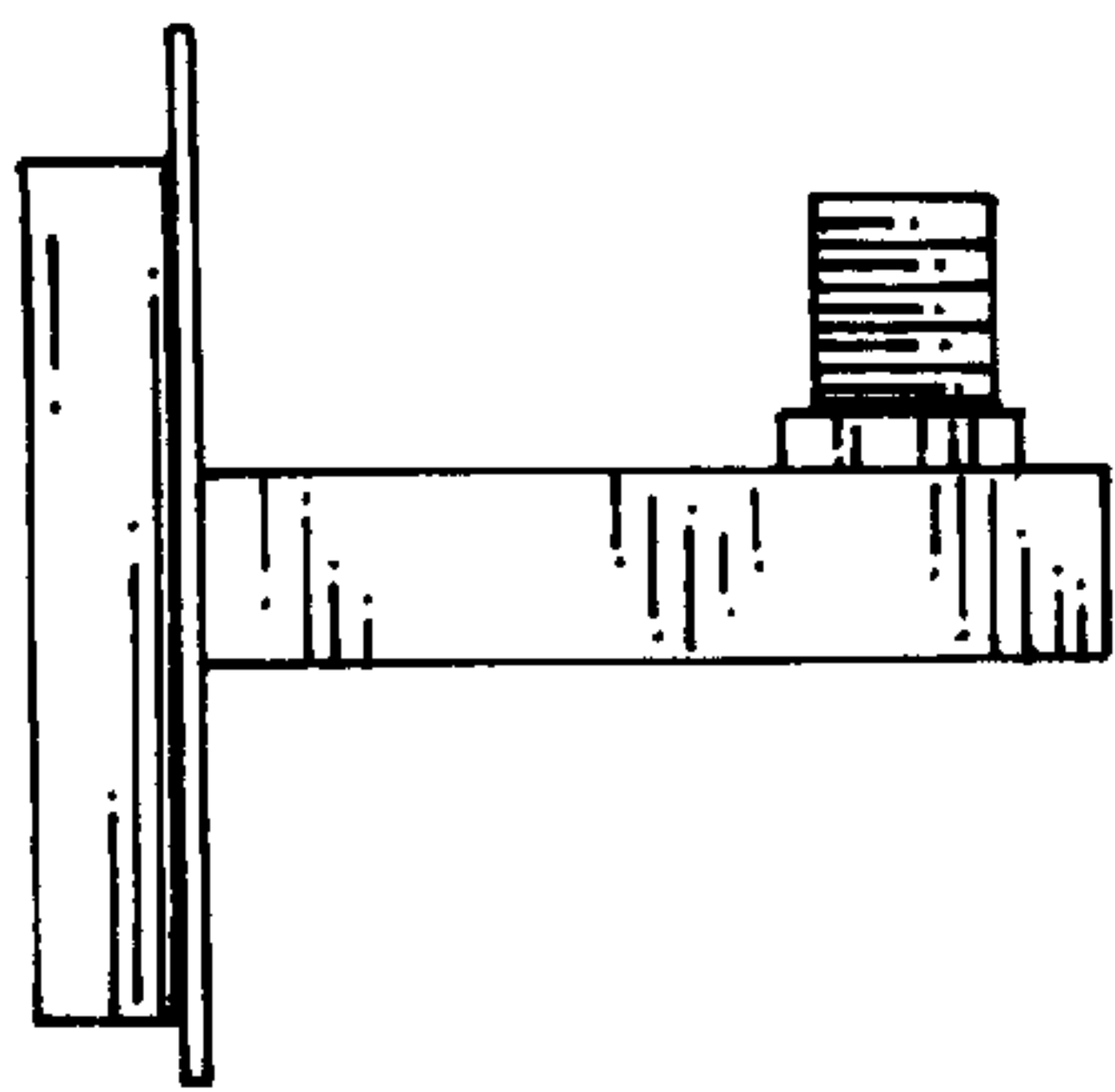




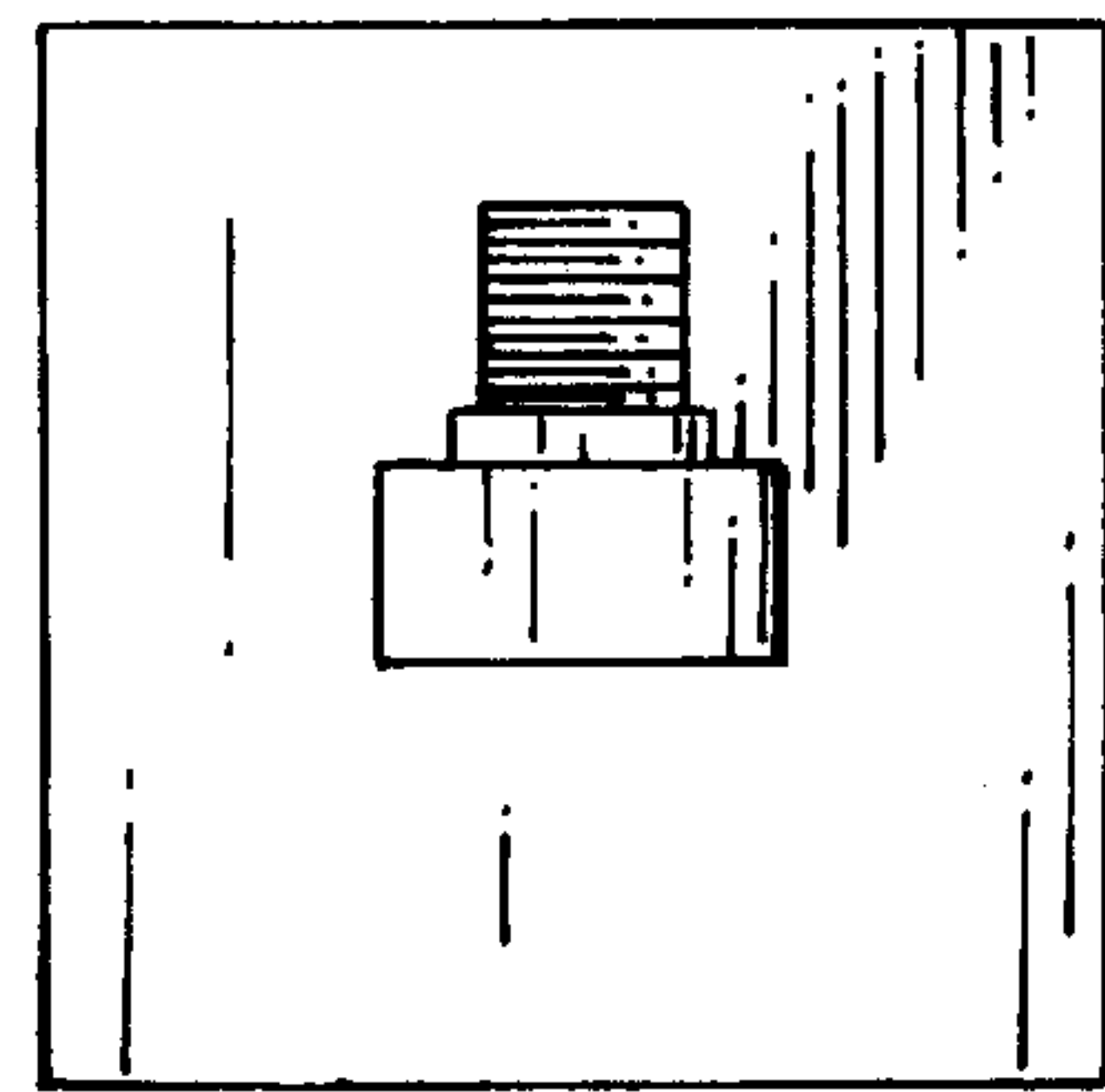
F i g . 1



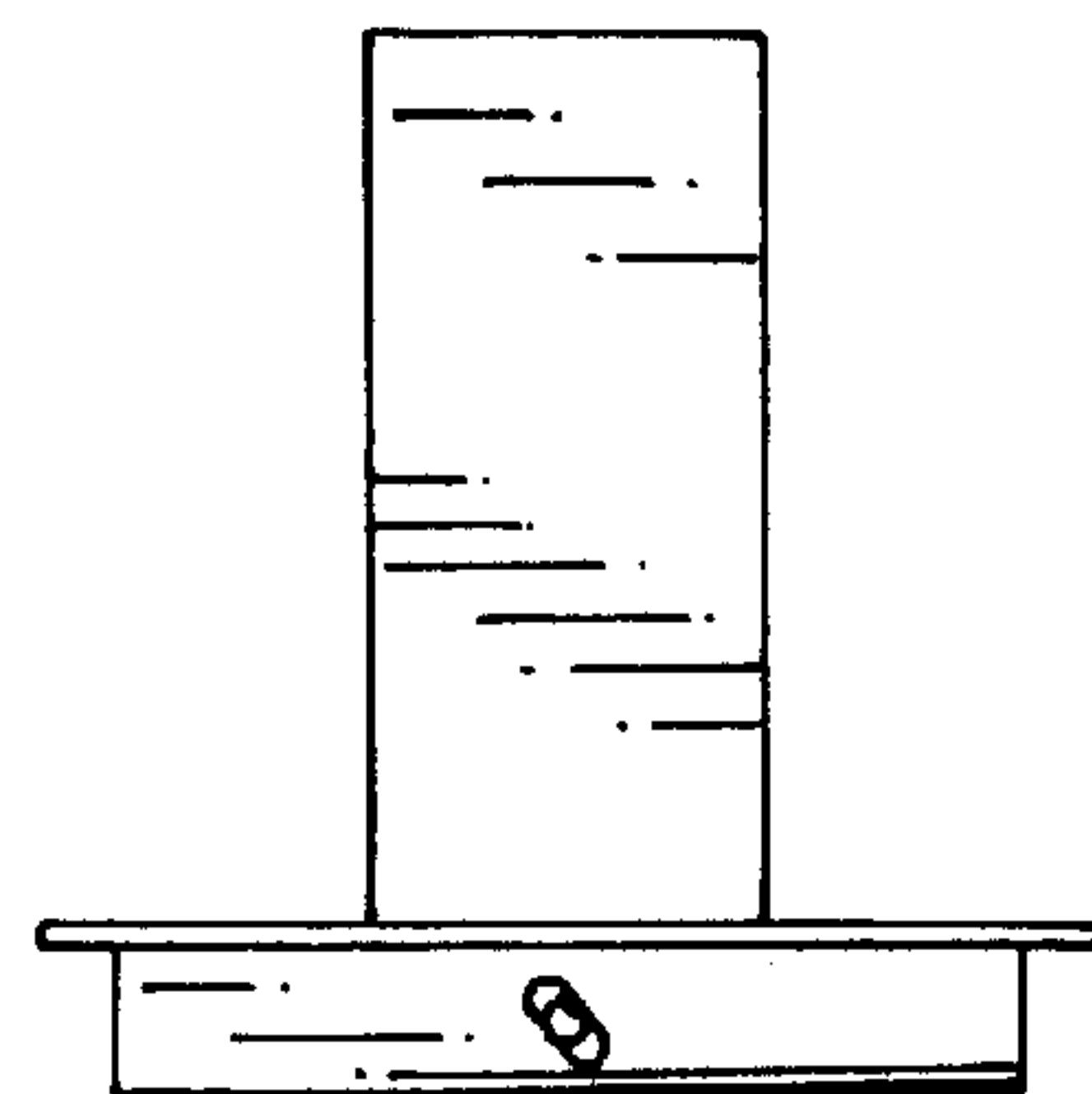
F i g . 3



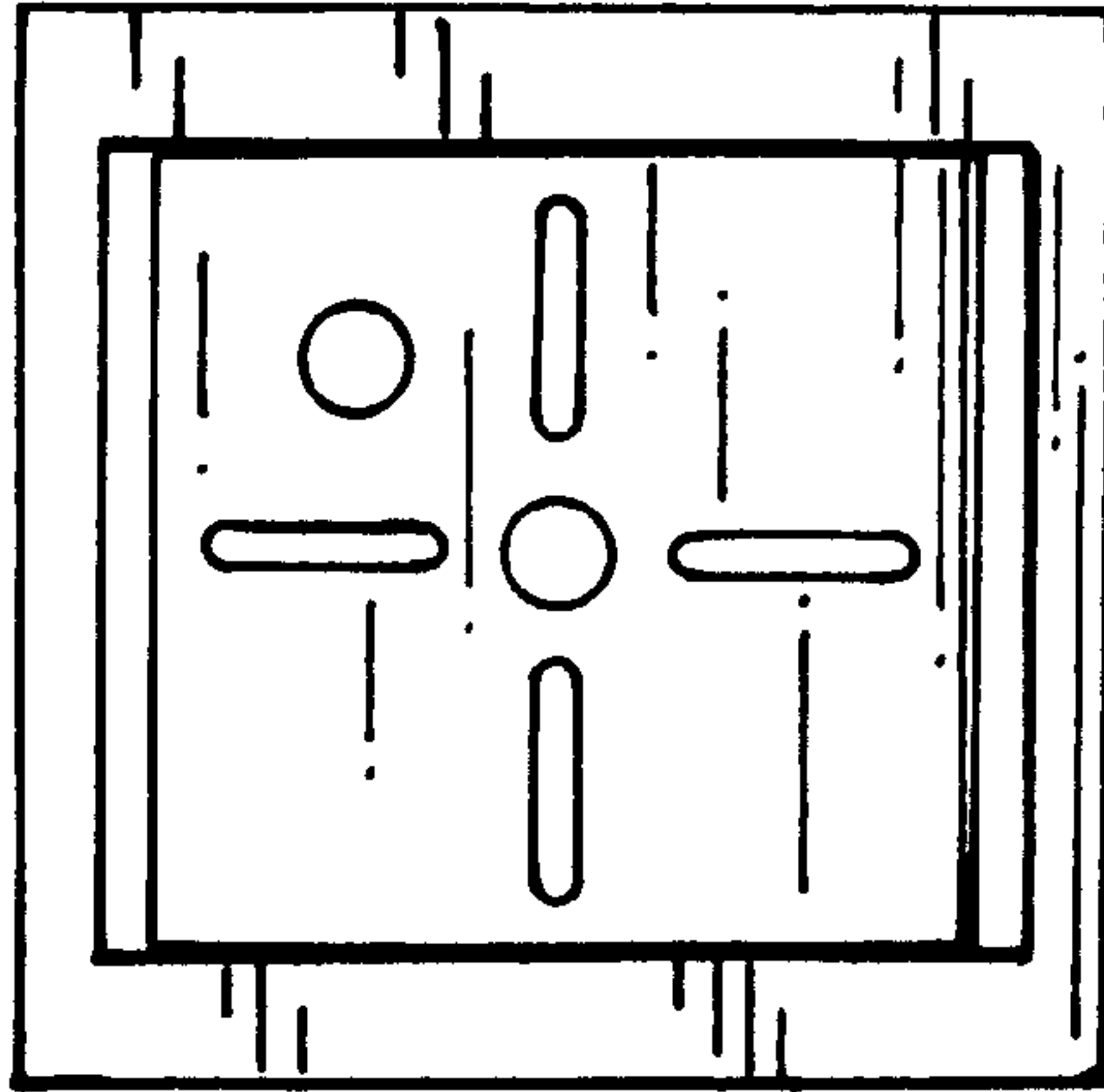
F i g . 5



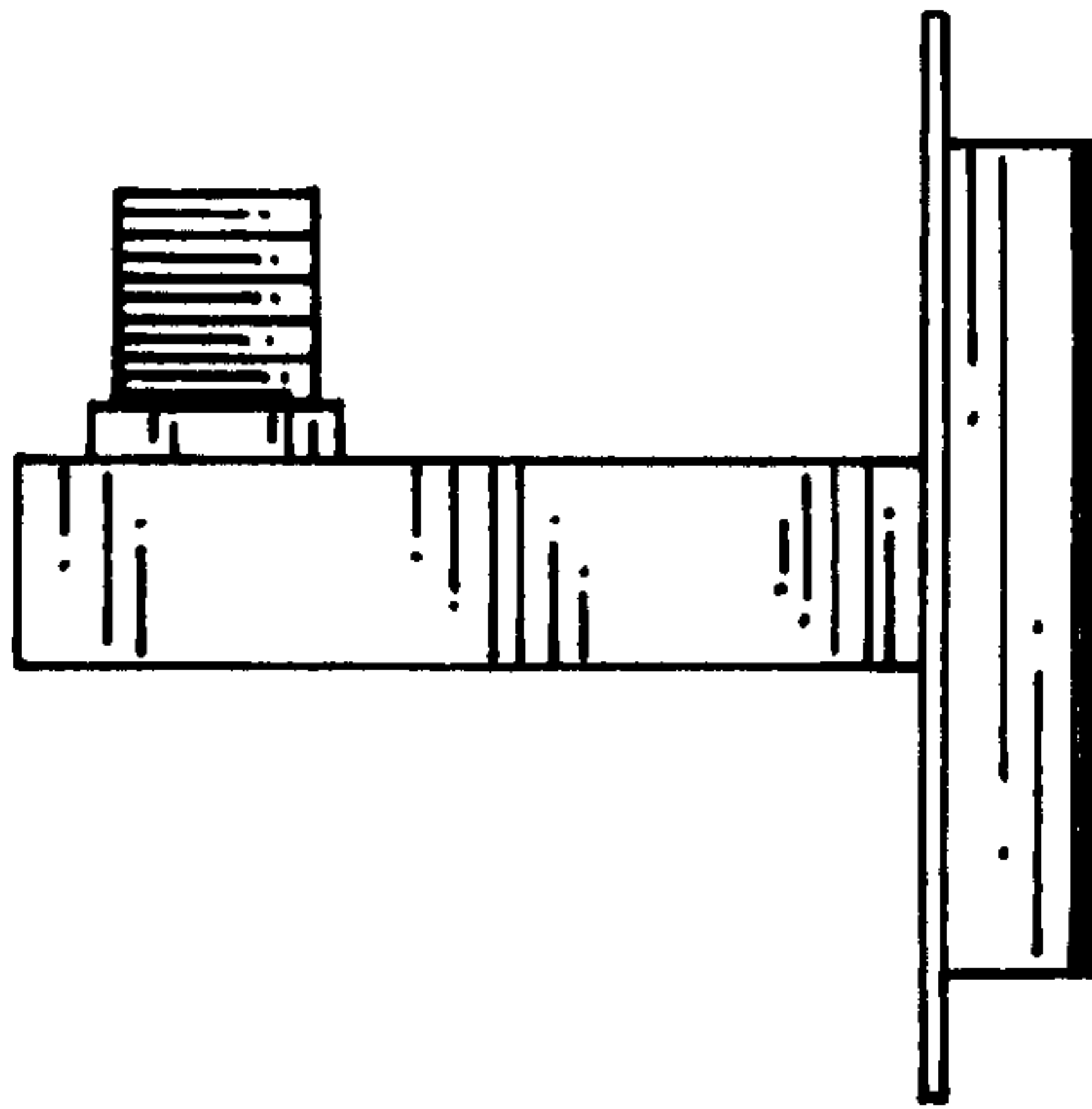
F i g . 2



F i g . 4



F i g . 6



F i g . 7