



US00D44880B1

(12) **United States Design Patent**
Benghozi

(10) **Patent No.:** **US D448,880 S**

(45) **Date of Patent:** **** Oct. 2, 2001**

(54) **LAMP FIXTURE**

(75) Inventor: **Simon-Victor Benghozi**, Outremont
(CA)

(73) Assignee: **Bazz Inc.**, Montreal (CA)

(**) Term: **14 Years**

(21) Appl. No.: **29/135,907**

(22) Filed: **Jan. 22, 2001**

(51) **LOC (7) Cl.** **26-05**

(52) **U.S. Cl.** **D26/74**

(58) **Field of Search** D26/74, 118; 362/364,
362/365, 366, 147, 148

(56) **References Cited**

U.S. PATENT DOCUMENTS

D. 247,562	*	3/1978	Walker	D26/74
4,475,147	*	10/1984	Kristofek	362/148
5,836,678	*	11/1998	Wright et al.	362/364
6,152,571	*	11/2000	Ruiz	362/365 X

OTHER PUBLICATIONS

Taiwan Lighting, Feb. 1998, p. 215, recessed lighting fixture
#PL-0413R.*

* cited by examiner

Primary Examiner—Susan J. Lucas

(74) *Attorney, Agent, or Firm*—Jean H. Dubuc

(57) **CLAIM**

The ornamental design for a lamp fixture, as shown and described.

DESCRIPTION

FIG. 1 is a perspective view of a lamp fixture showing my new design;

FIG. 2 is an elevational view thereof;

FIG. 3 is a bottom view thereof;

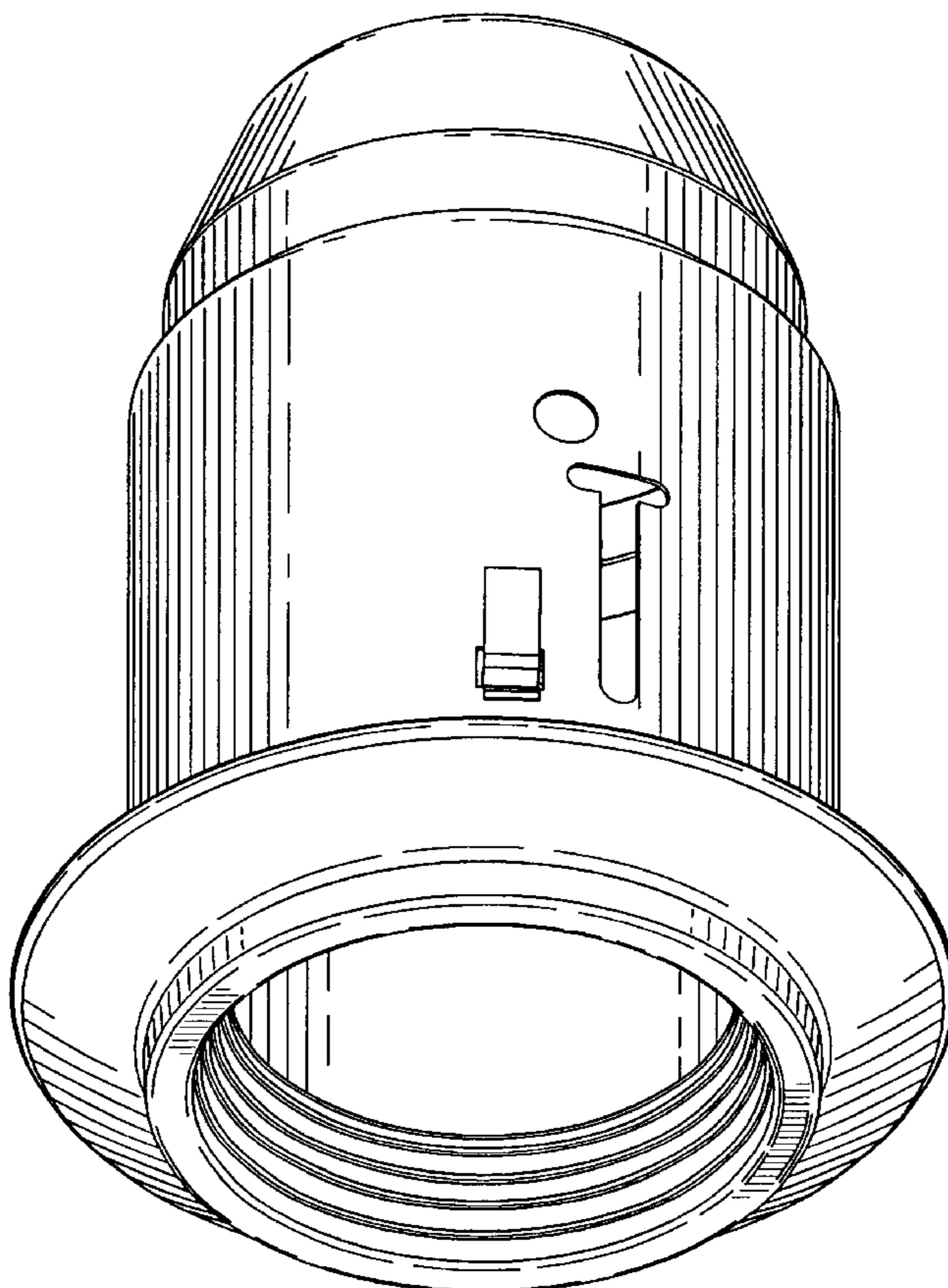
FIG. 4 is an elevational view thereof as seen from the right of FIG. 1;

FIG. 5 is an elevational view thereof as seen from the left of FIG. 1;

FIG. 6 is an elevation view thereof as seen from the left of FIG. 5; and,

FIG. 7 is a top view thereof.

1 Claim, 4 Drawing Sheets



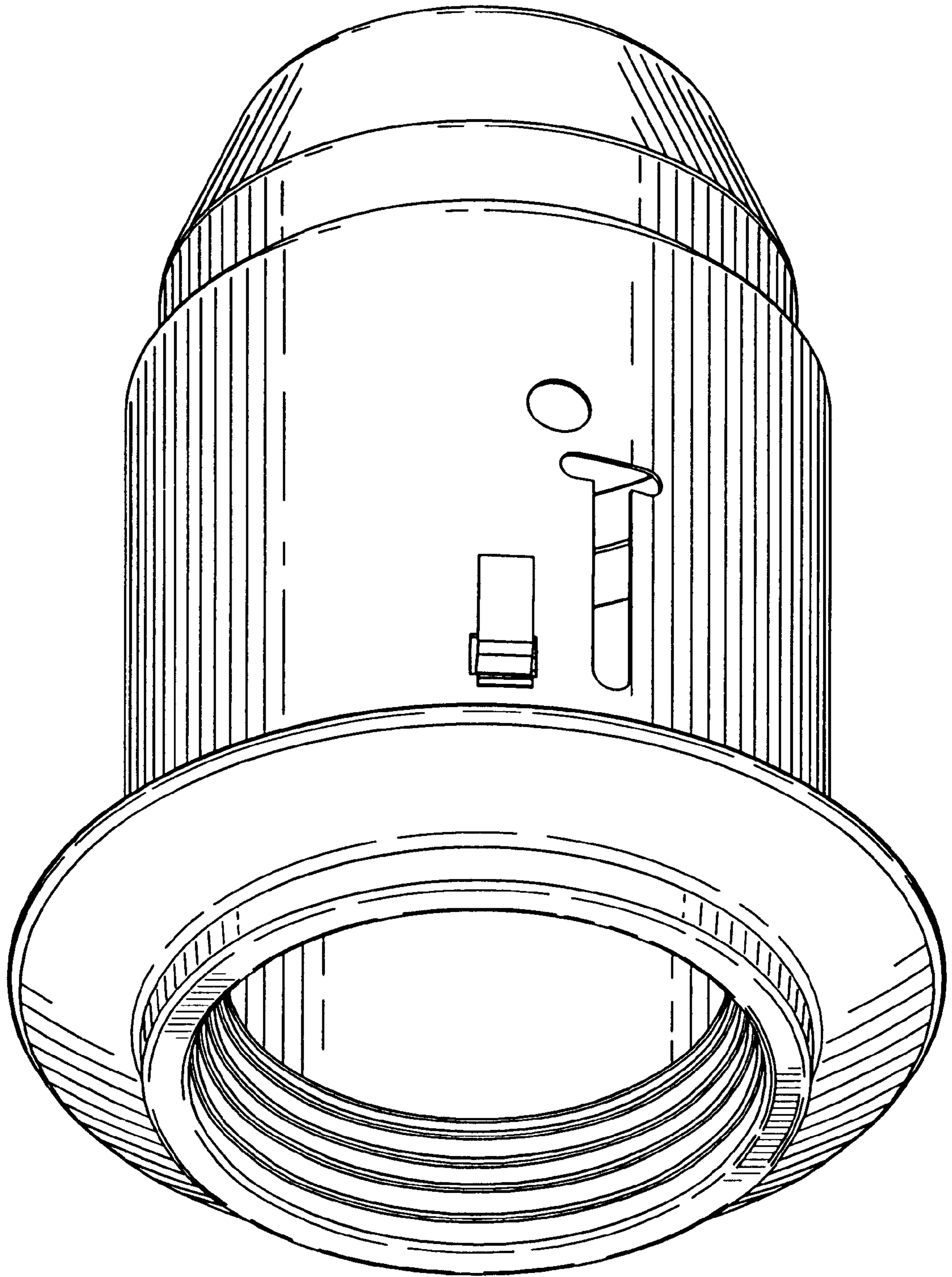


FIG. 1

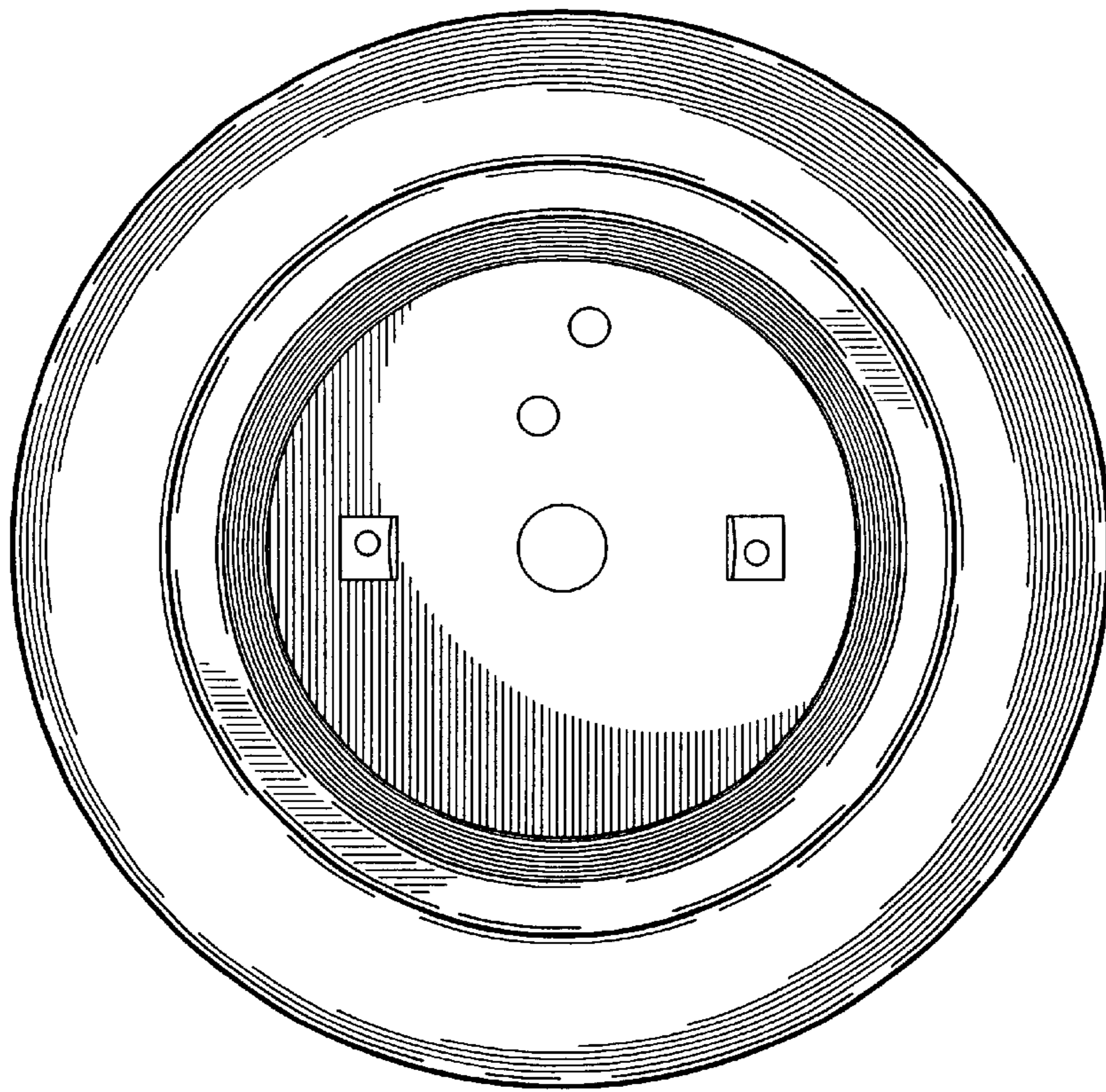


FIG. 3

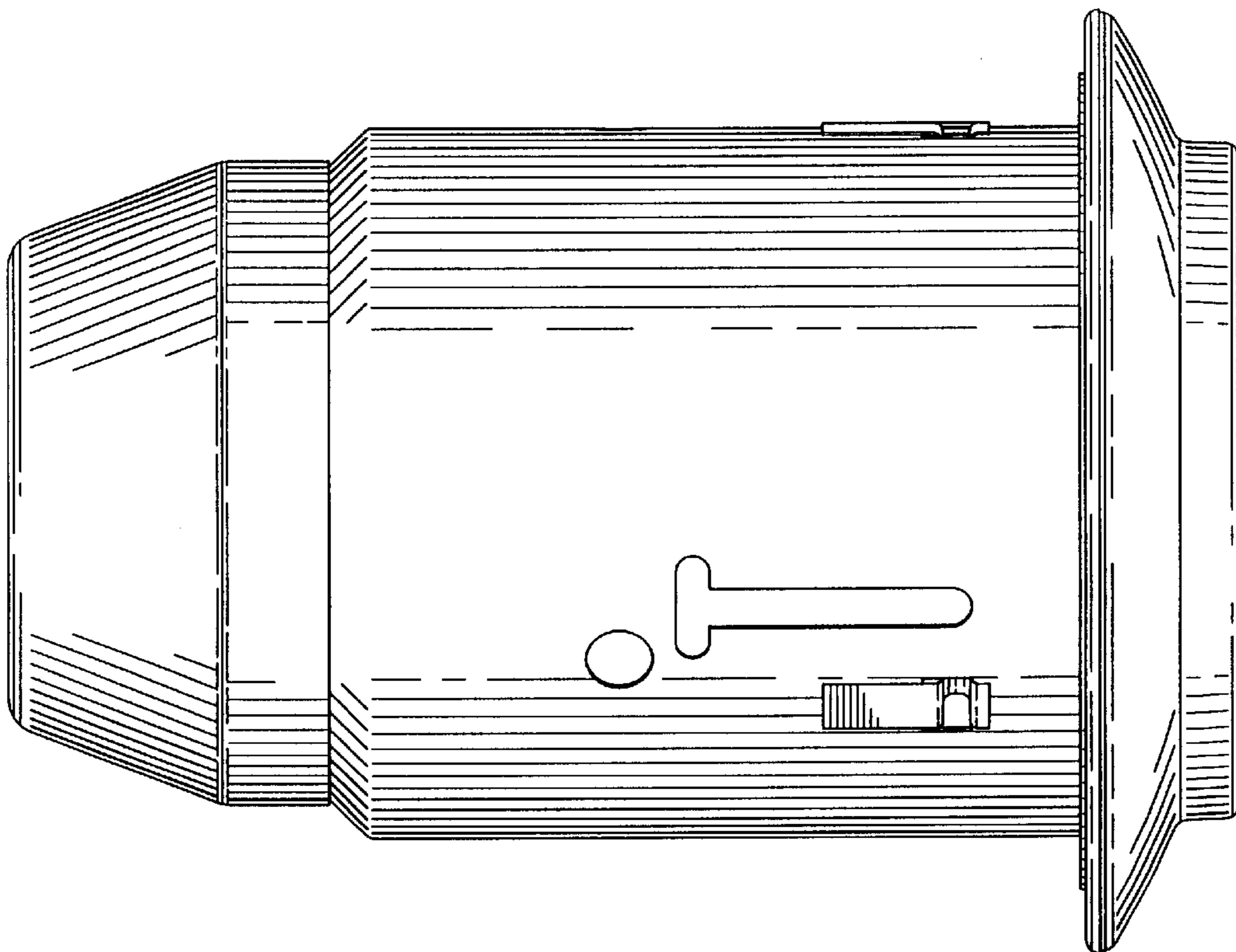
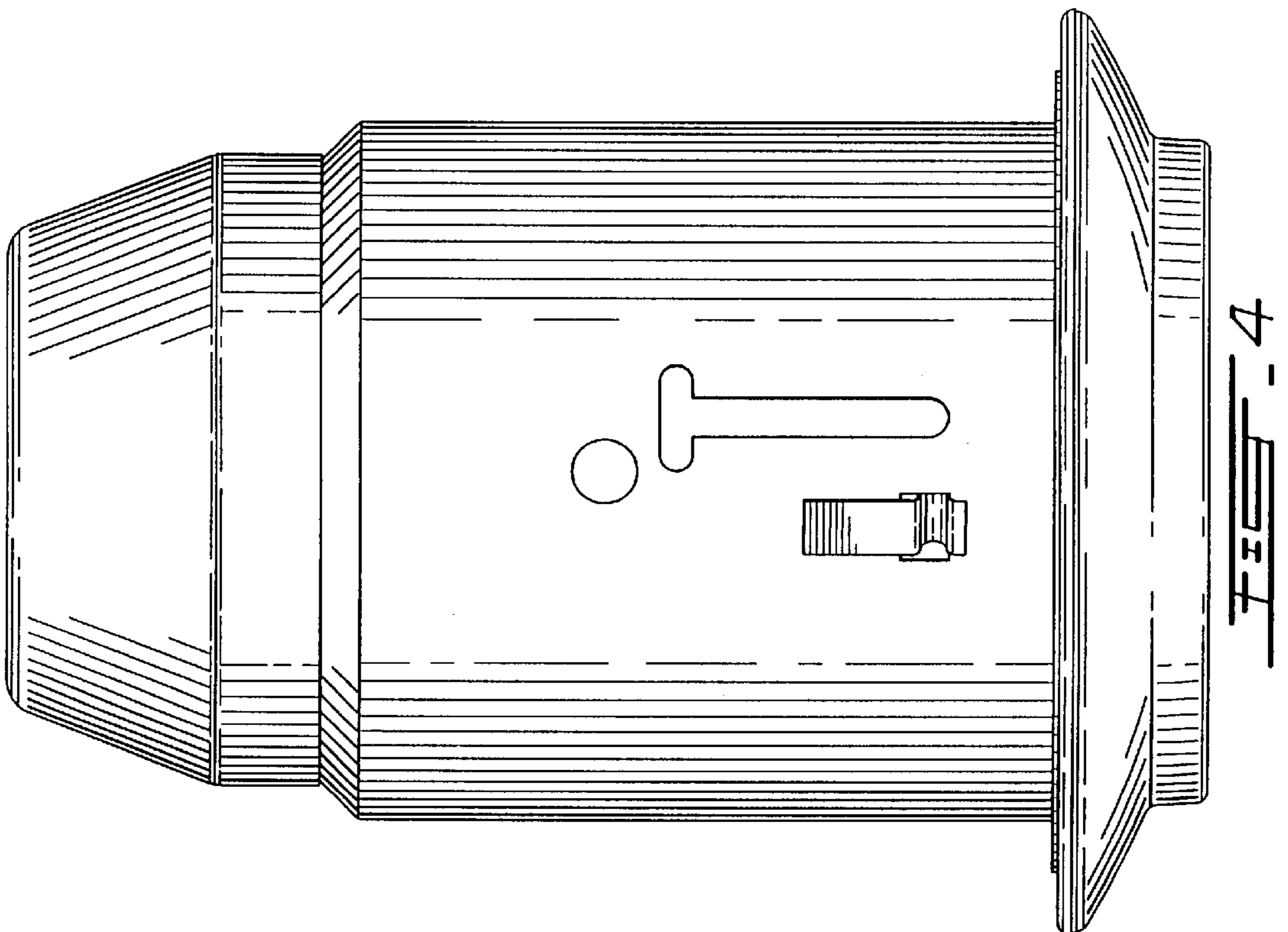
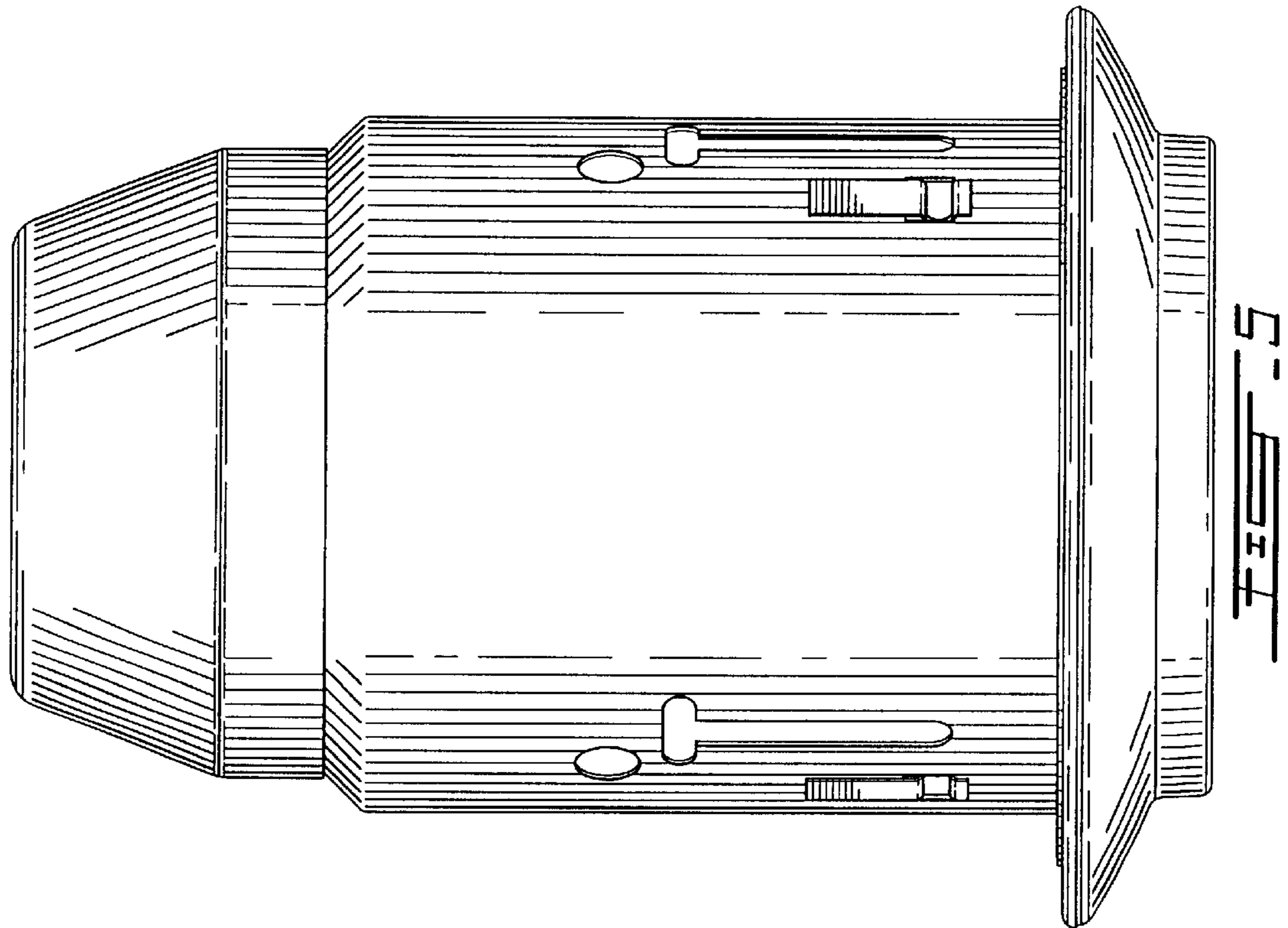


FIG. 2



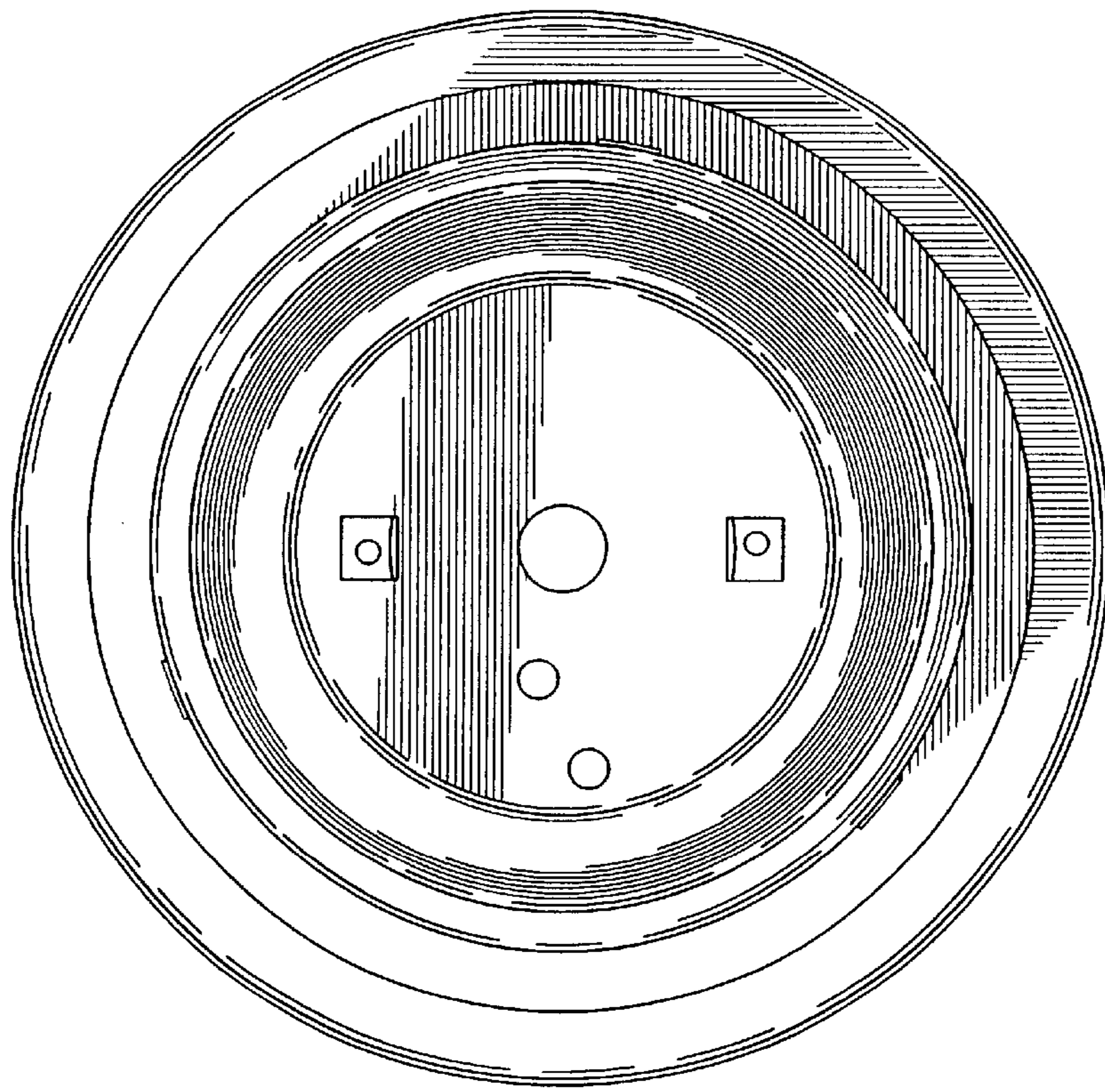


FIG. 7

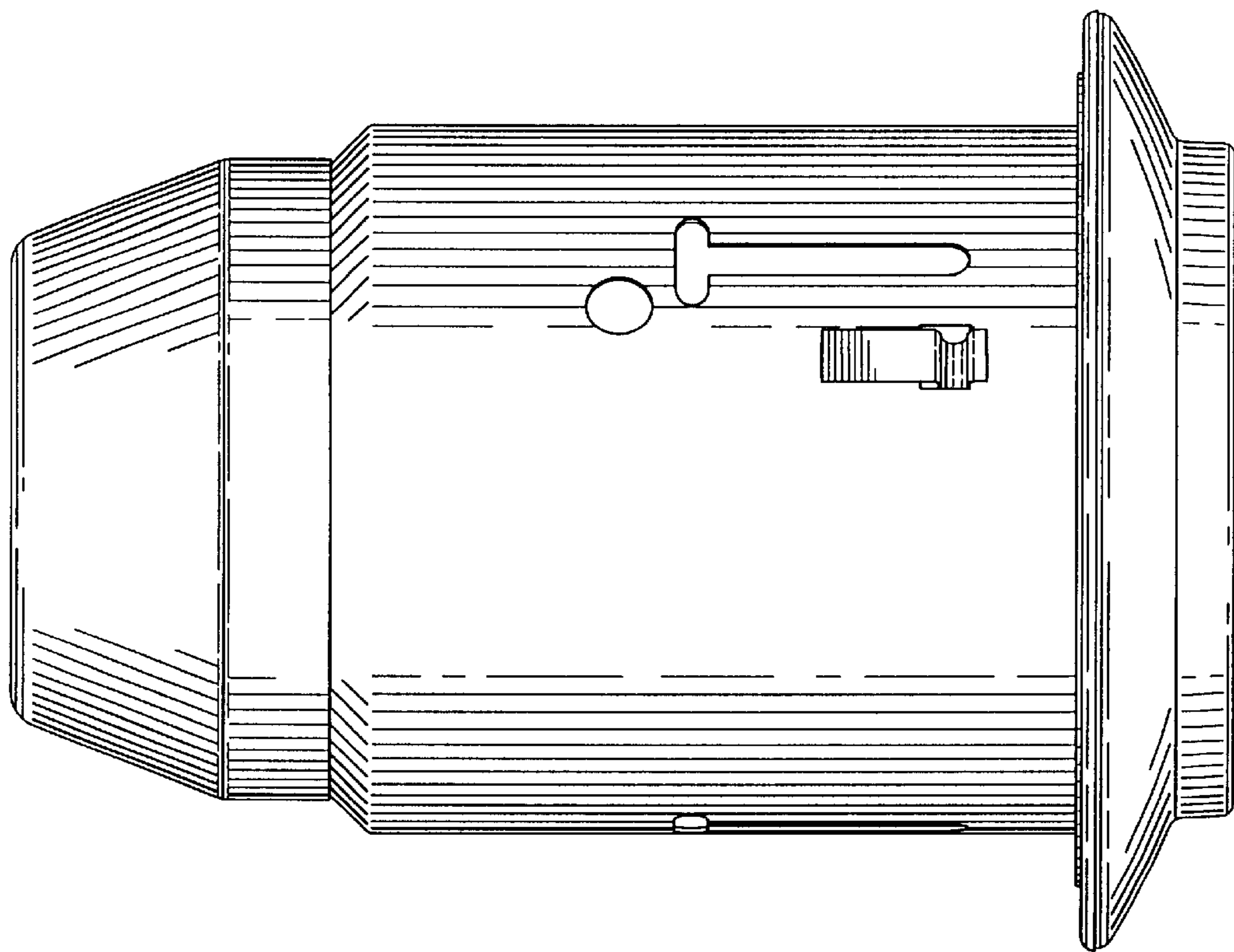


FIG. 8