



US00D448879B1

(12) **United States Design Patent**
Wang

(10) **Patent No.:** **US D448,879 S**

(45) **Date of Patent:** **** Oct. 2, 2001**

(54) **DESK LAMP**

(76) **Inventor:** **Ying-Hsia Wang**, PO Box 82-144,
Taipei (TW)

(**) **Term:** **14 Years**

(21) **Appl. No.:** **29/140,236**

(22) **Filed:** **Apr. 16, 2001**

(51) **LOC (7) Cl.** **26-05**

(52) **U.S. Cl.** **D26/65**

(58) **Field of Search** D26/60-65; 362/418,
362/419, 427, 428, 269, 277, 282, 285,
401, 393

(56) **References Cited**

U.S. PATENT DOCUMENTS

- D. 310,886 * 9/1990 Gismondi D26/65
- D. 325,648 * 4/1992 Cerbini D26/65
- D. 382,361 * 8/1997 Chan D26/65

D. 398,411 * 9/1998 Yang D26/65

* cited by examiner

Primary Examiner—Susan J. Lucas

(74) *Attorney, Agent, or Firm*—A & J

(57) **CLAIM**

The ornamental design for a desk lamp, as shown and described.

DESCRIPTION

FIG. 1 is a perspective view of a desk lamp showing us new design.

FIG. 2 is a left side elevation view thereof;

FIG. 3 is a right side elevation view thereof;

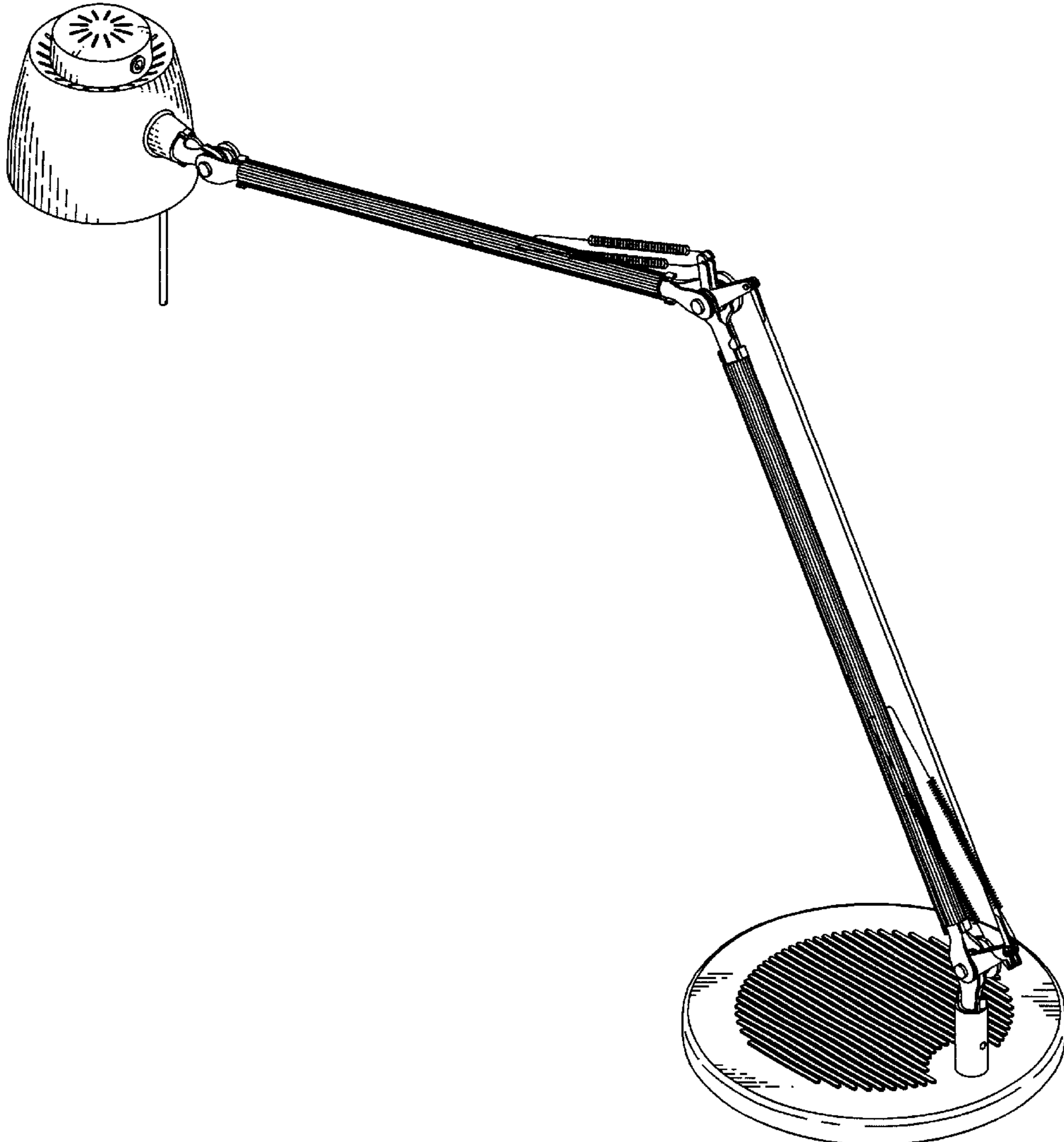
FIG. 4 is a rear side elevation view thereof;

FIG. 5 is a front side elevation view thereof;

FIG. 6 is a top plan view thereof; and,

FIG. 7 is a bottom plan view thereof.

1 Claim, 6 Drawing Sheets



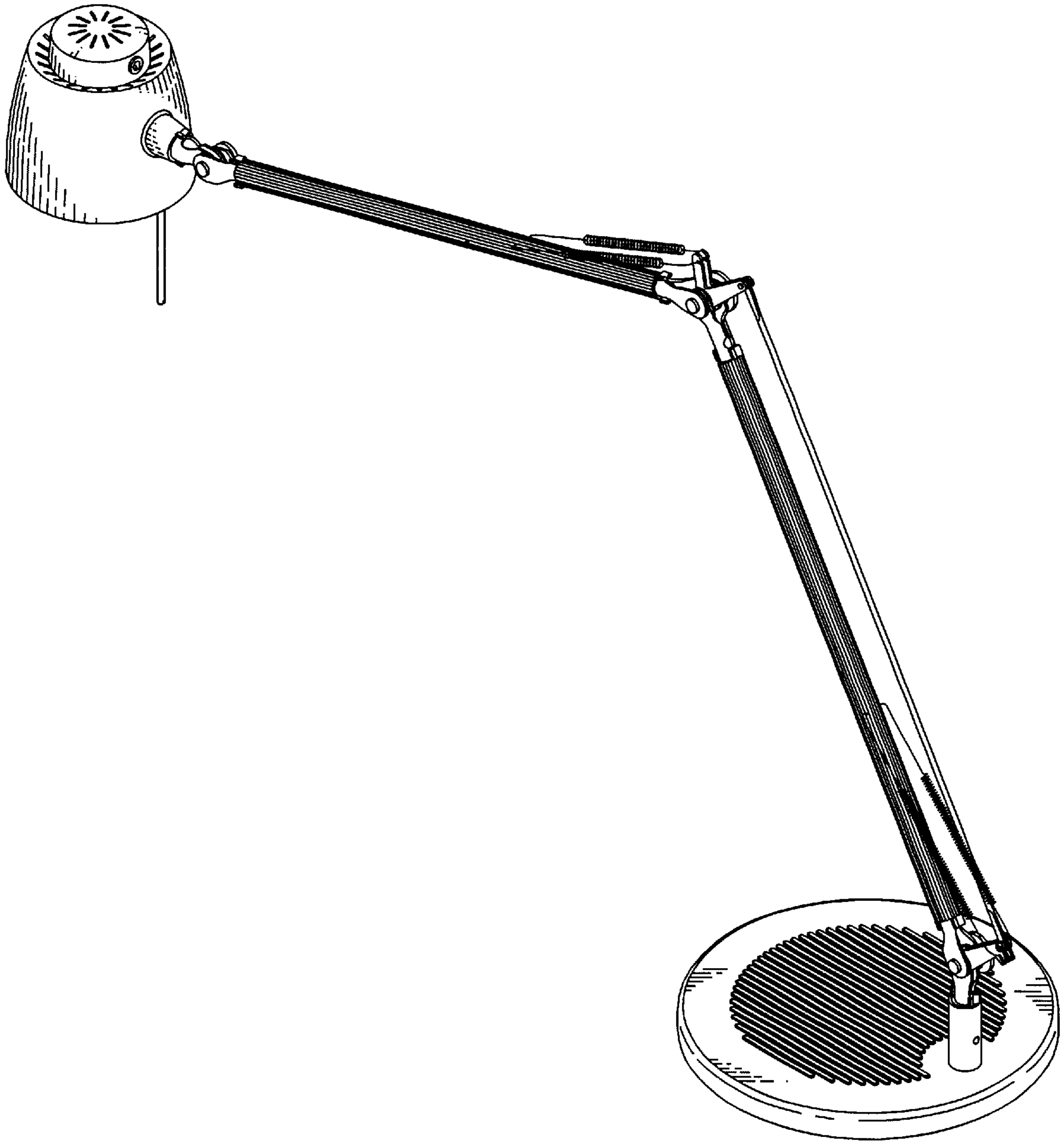


FIG. 1

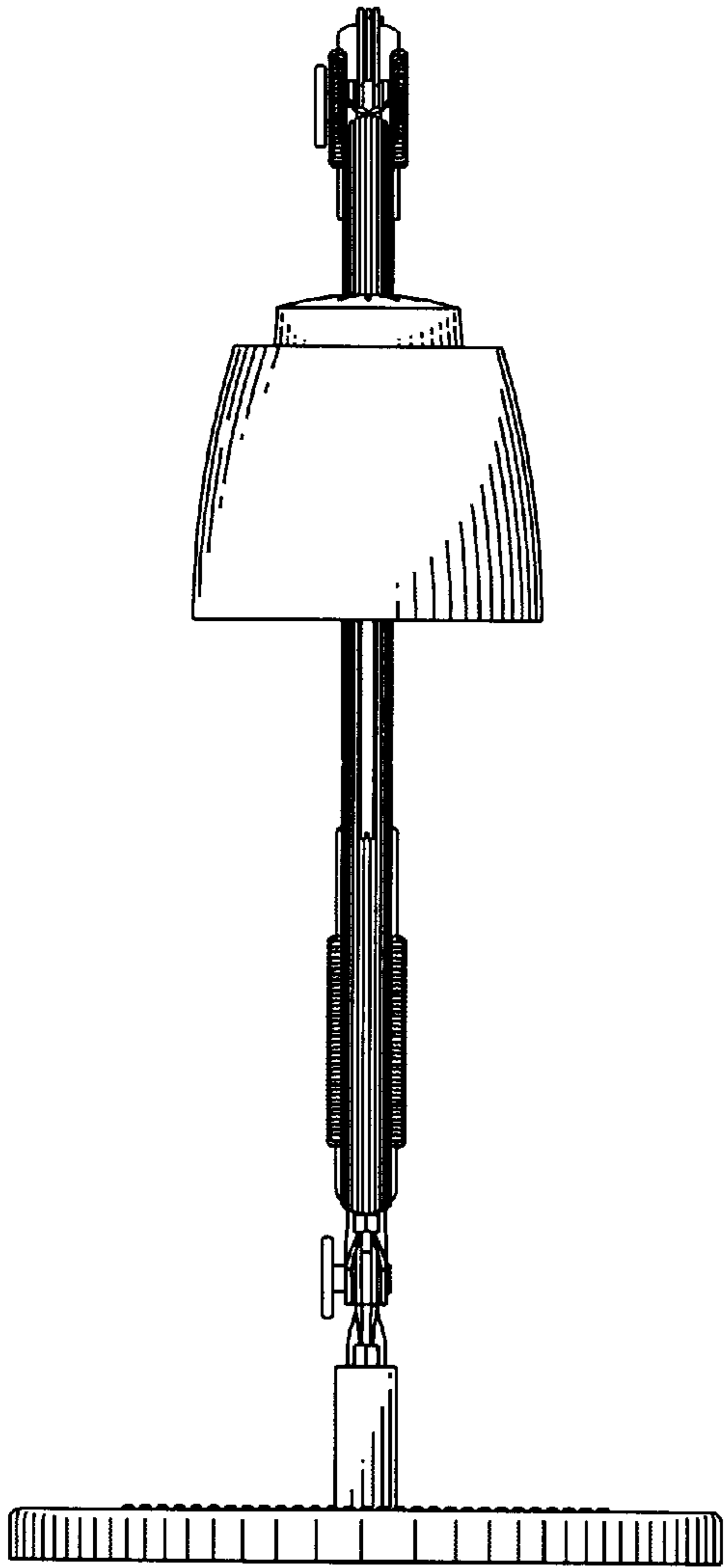


FIG. 2

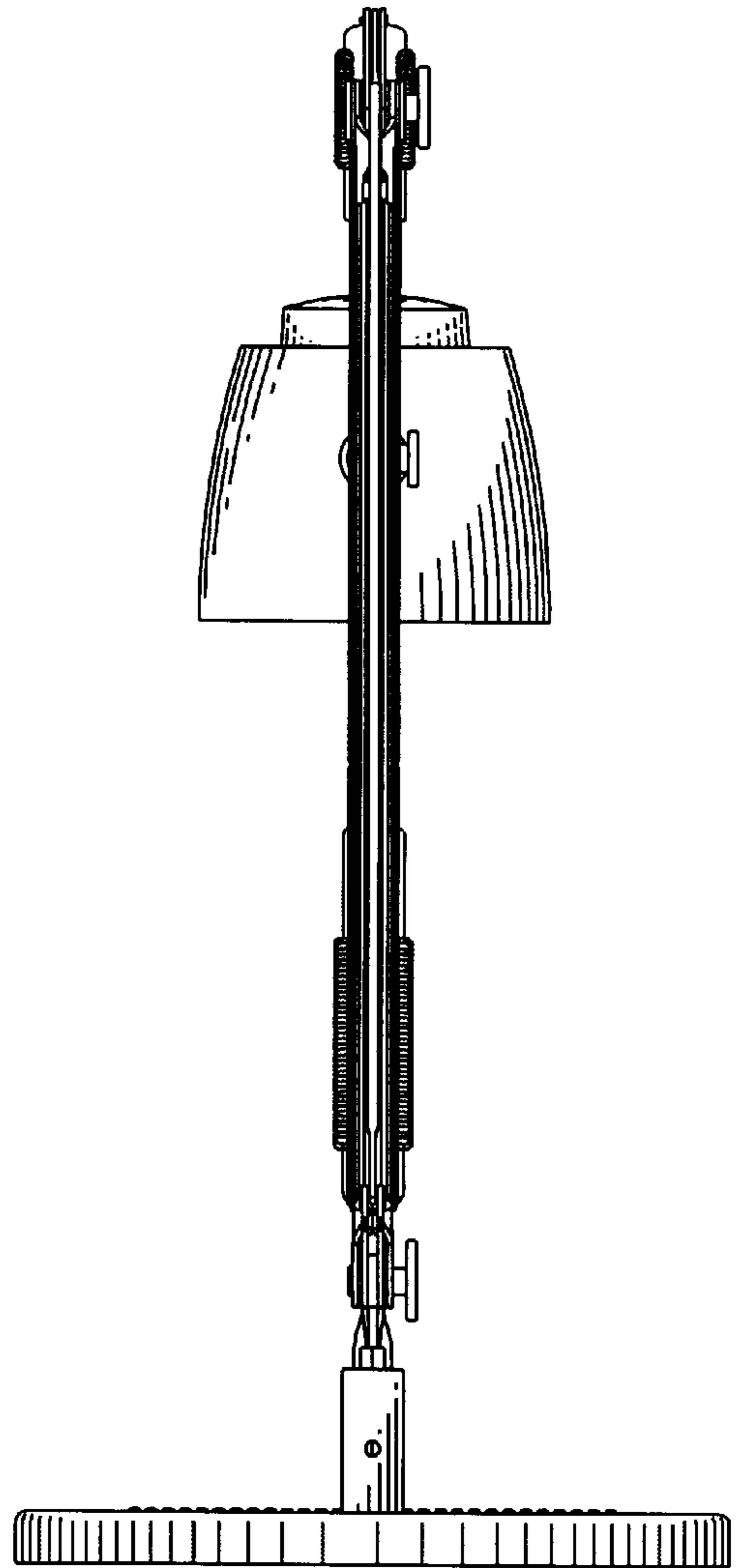


FIG. 3

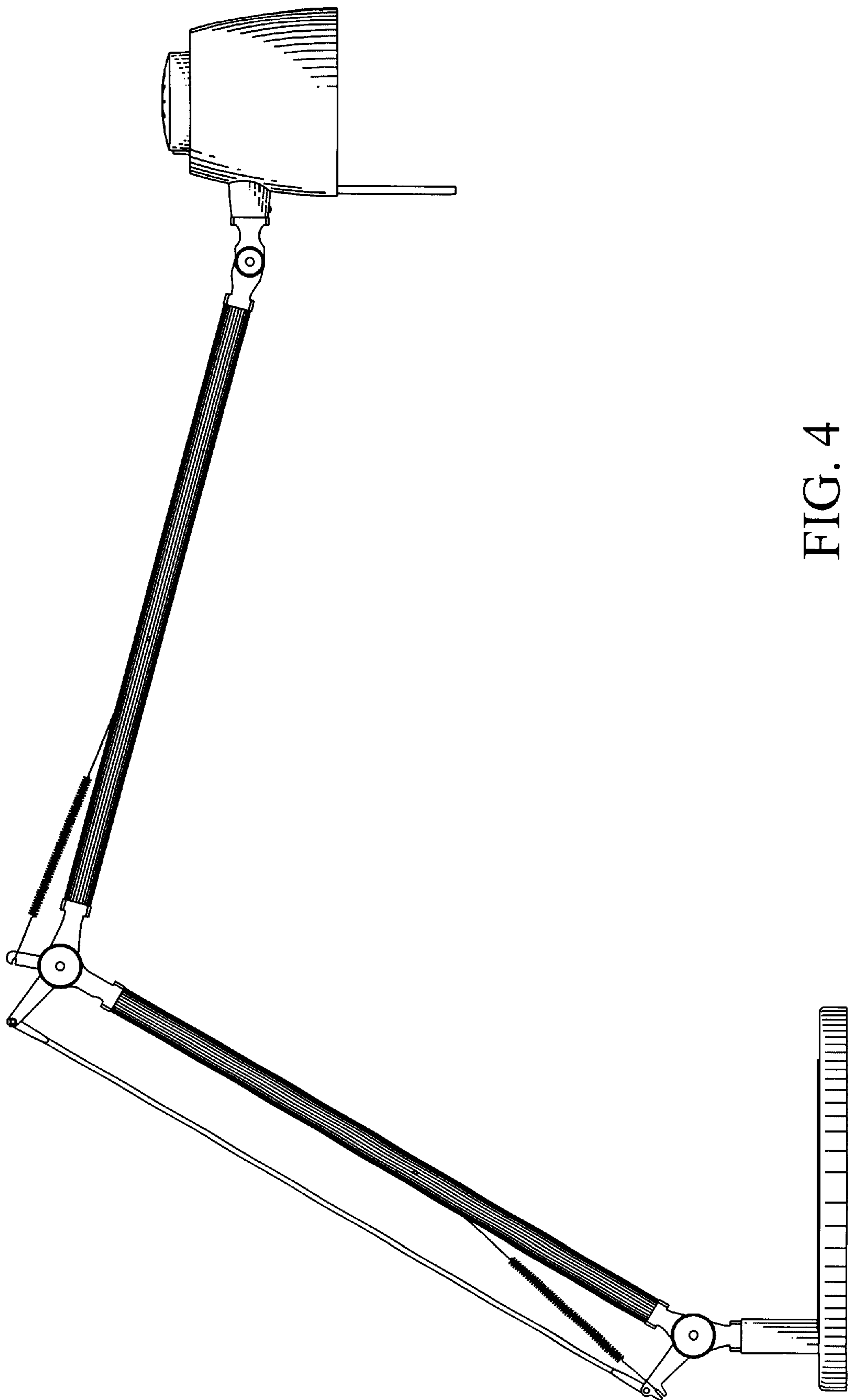


FIG. 4



FIG. 5

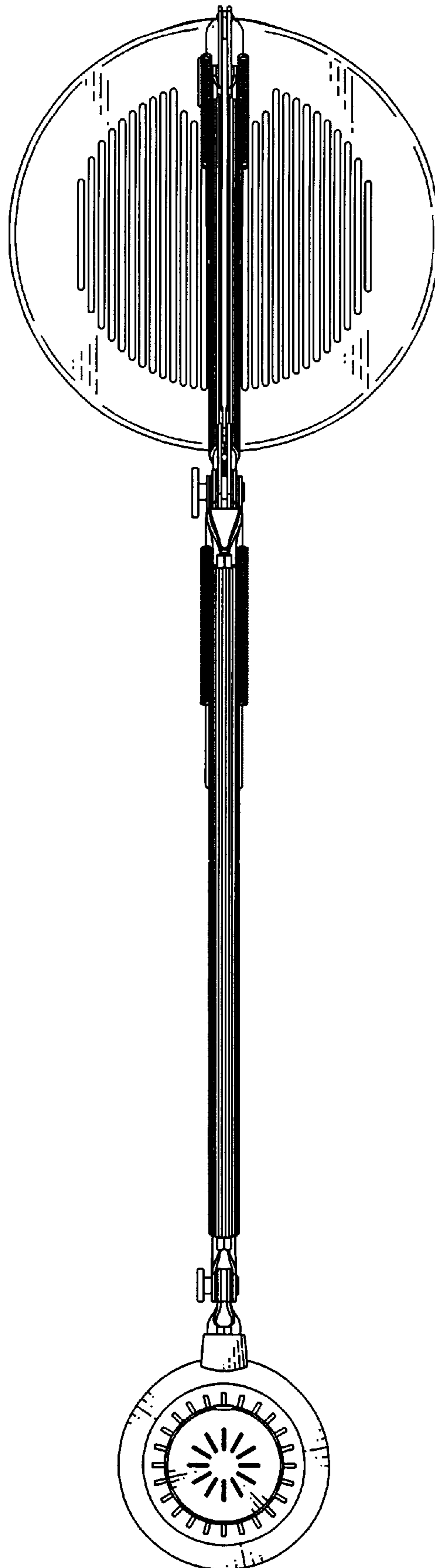


FIG. 6

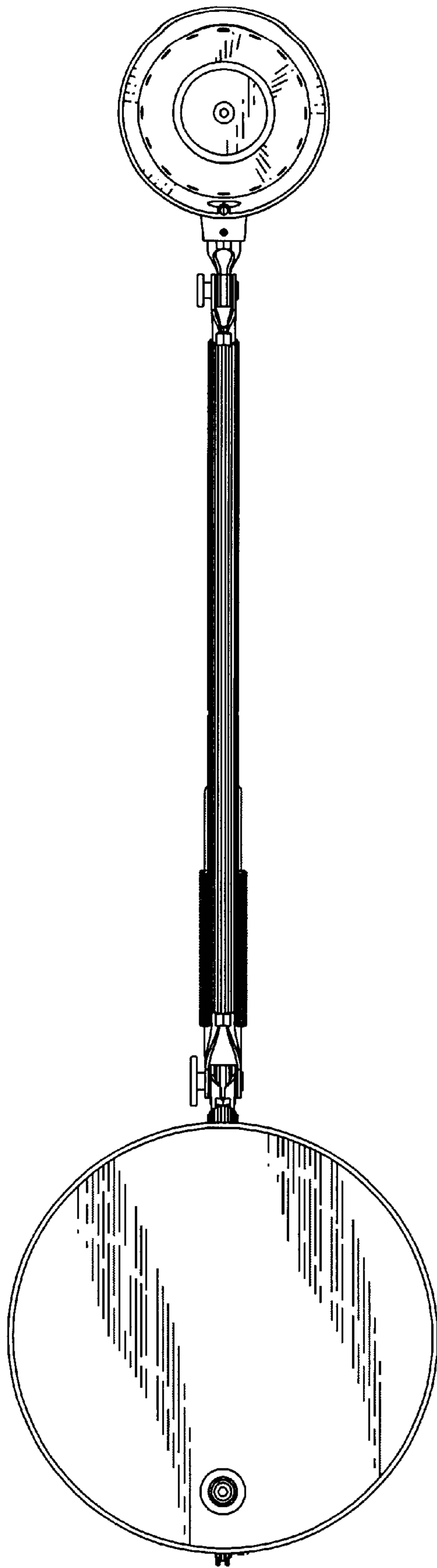


FIG. 7