



US00D448878B1

(12) **United States Design Patent**
Dalton et al.

(10) **Patent No.:** **US D448,878 S**

(45) **Date of Patent:** **** Oct. 2, 2001**

(54) **FLASHLIGHT**

(75) Inventors: **David Richard Dalton**, Turramurra;
John Robert Brown, Mosman;
Timothy James Rugendyke, Lakemba,
all of (AU)

(73) Assignee: **Eveready Battery Company, Inc.**, St.
Louis, MO (US)

(**) Term: **14 Years**

(21) Appl. No.: **29/129,921**

(22) Filed: **Sep. 25, 2000**

(51) **LOC (7) Cl.** **26-02**

(52) **U.S. Cl.** **D26/49**

(58) **Field of Search** D26/37-50; 362/157,
362/158, 171, 173, 183-208

(56) **References Cited**

U.S. PATENT DOCUMENTS

- D. 422,104 * 3/2000 Yuen D26/49
- D. 428,506 * 7/2000 Garrity et al. D26/49
- D. 429,015 * 8/2000 Garrity et al. D26/49

* cited by examiner

Primary Examiner—Marcus A. Jackson
(74) *Attorney, Agent, or Firm*—Robert W. Welsh

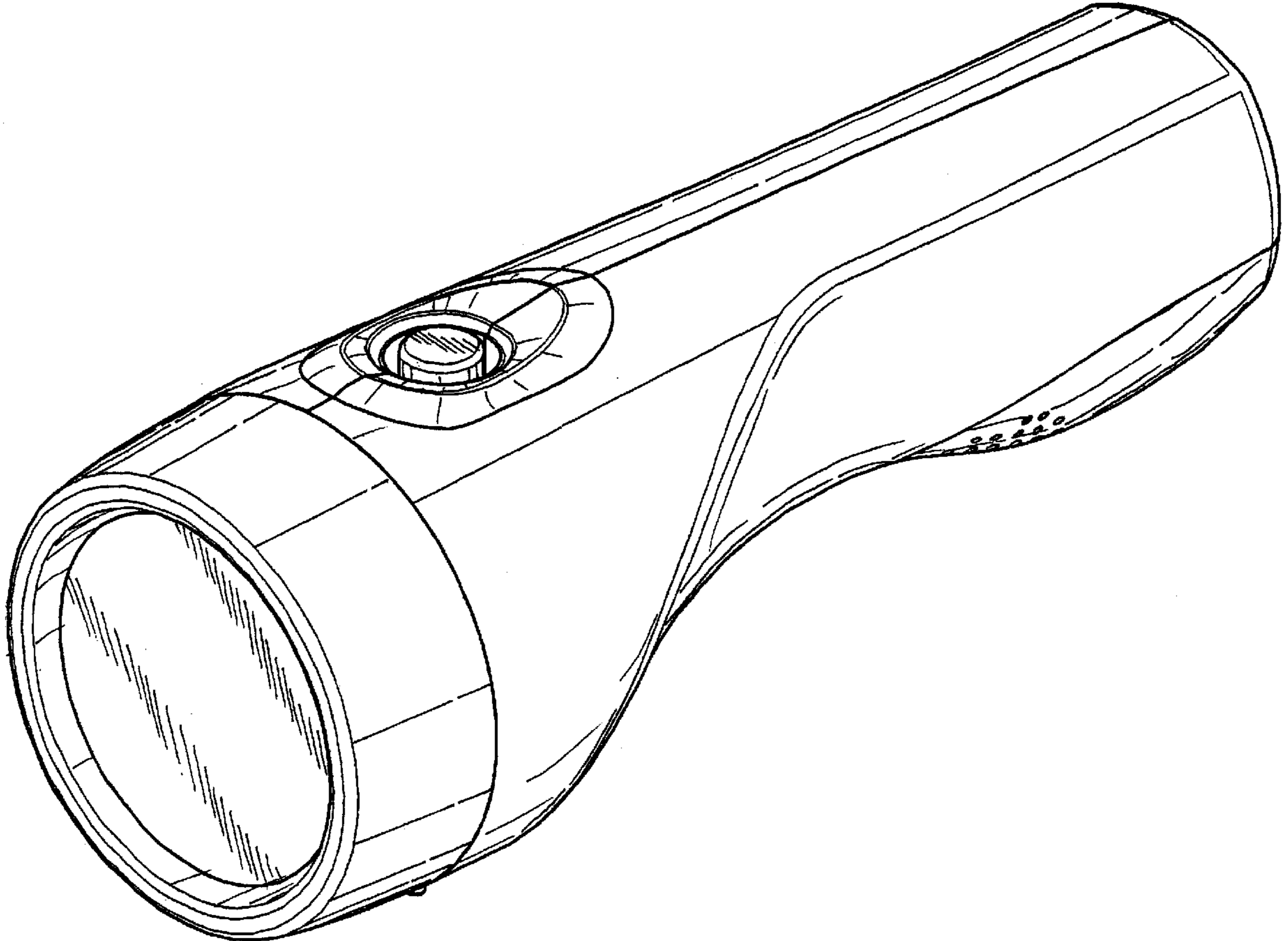
(57) **CLAIM**

We claim the ornamental design for a flashlight, as shown and described.

DESCRIPTION

FIG. 1 is a perspective view showing the front, top, and a first side of the flashlight of the present invention;
 FIG. 2 is a perspective view showing the rear and a second side of the flashlight of the present invention;
 FIG. 3 is an elevational plan view of the top of the flashlight of the present invention;
 FIG. 4 is an elevational plan view of the bottom of the flashlight of the present invention;
 FIG. 5 is an elevational plan view of the first side of the flashlight of the present invention;
 FIG. 6 is an elevational plan view of the second side of the flashlight of the present invention;
 FIG. 7 is an elevational plan view of the front of the flashlight of the present invention; and,
 FIG. 8 is an elevational plan view of the rear of the flashlight of the present invention.

1 Claim, 8 Drawing Sheets



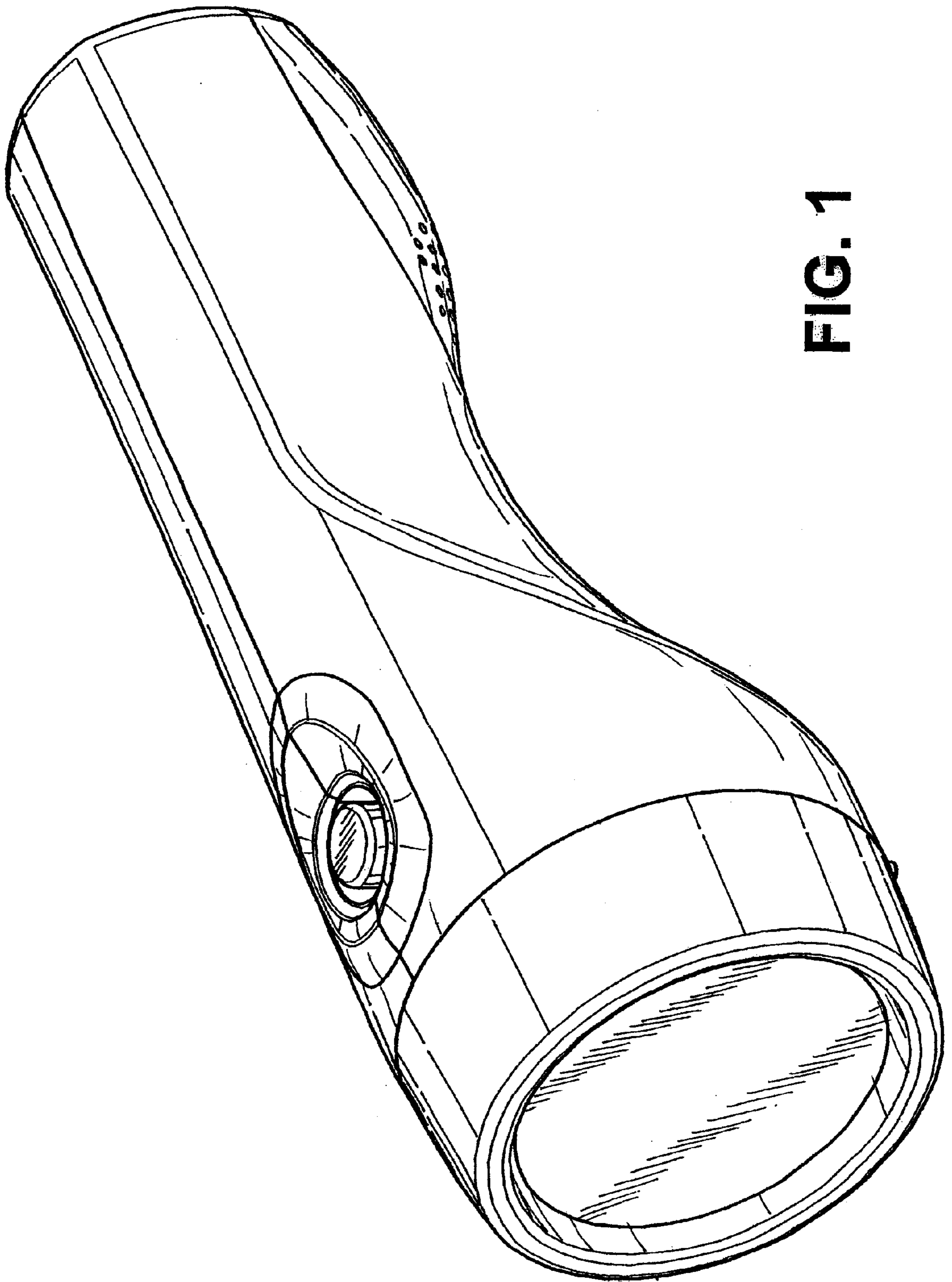


FIG. 1

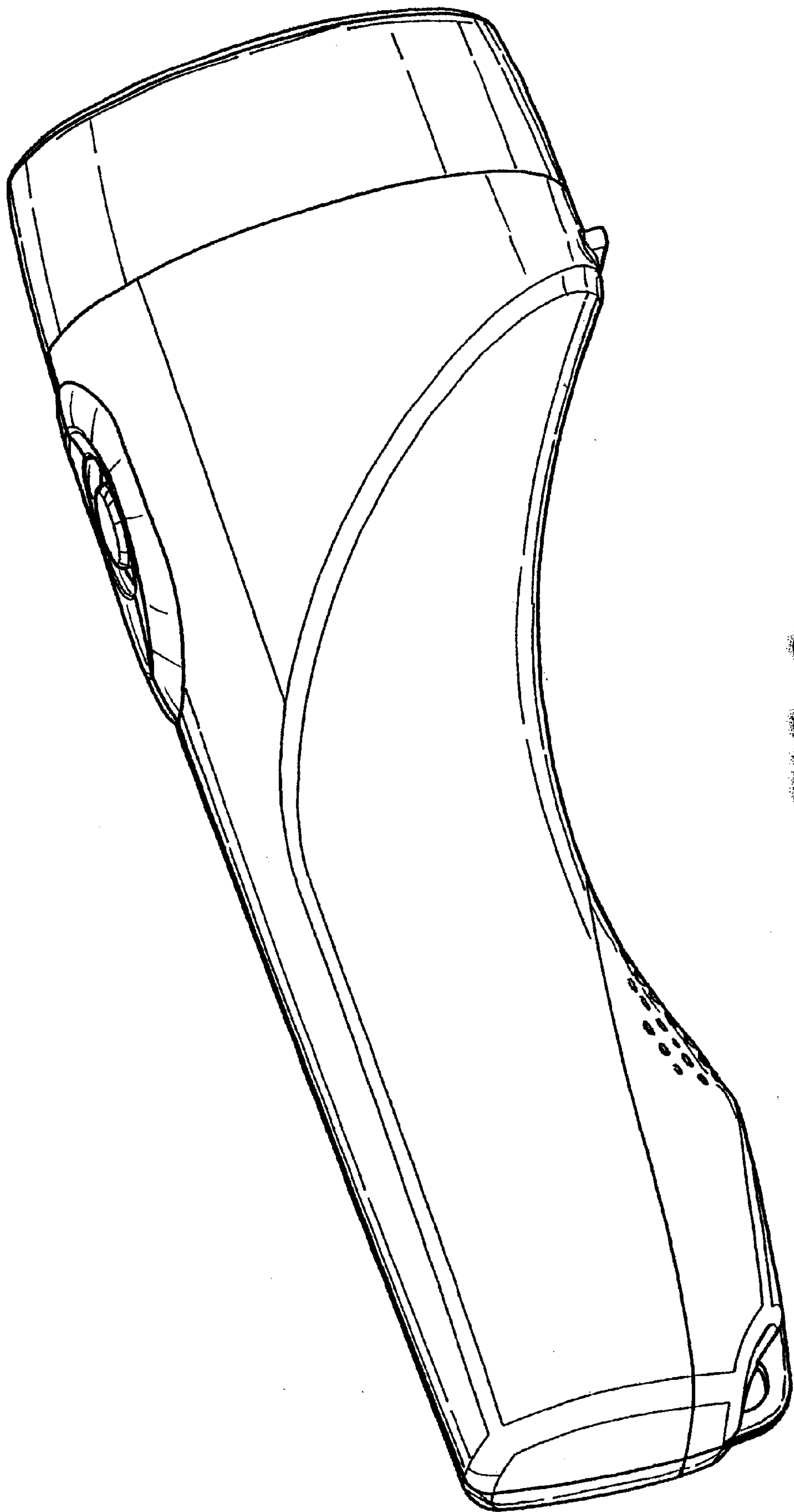


FIG. 2

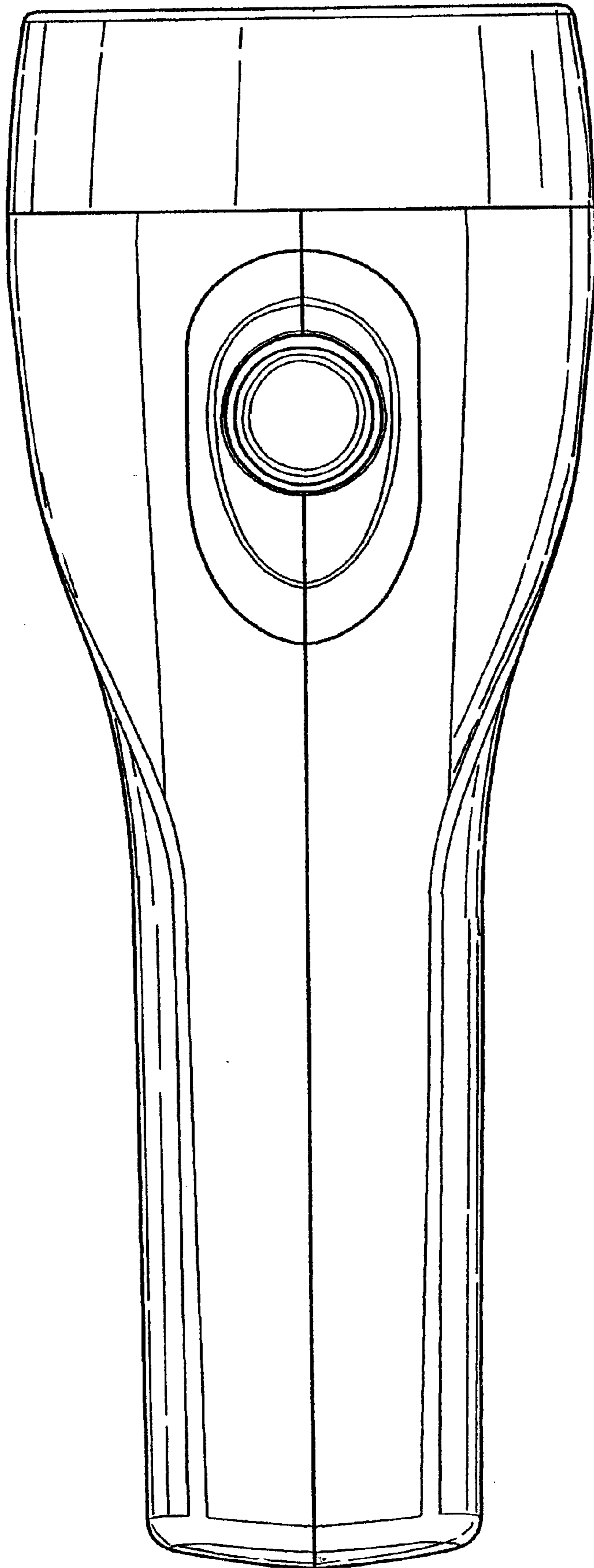


FIG. 3

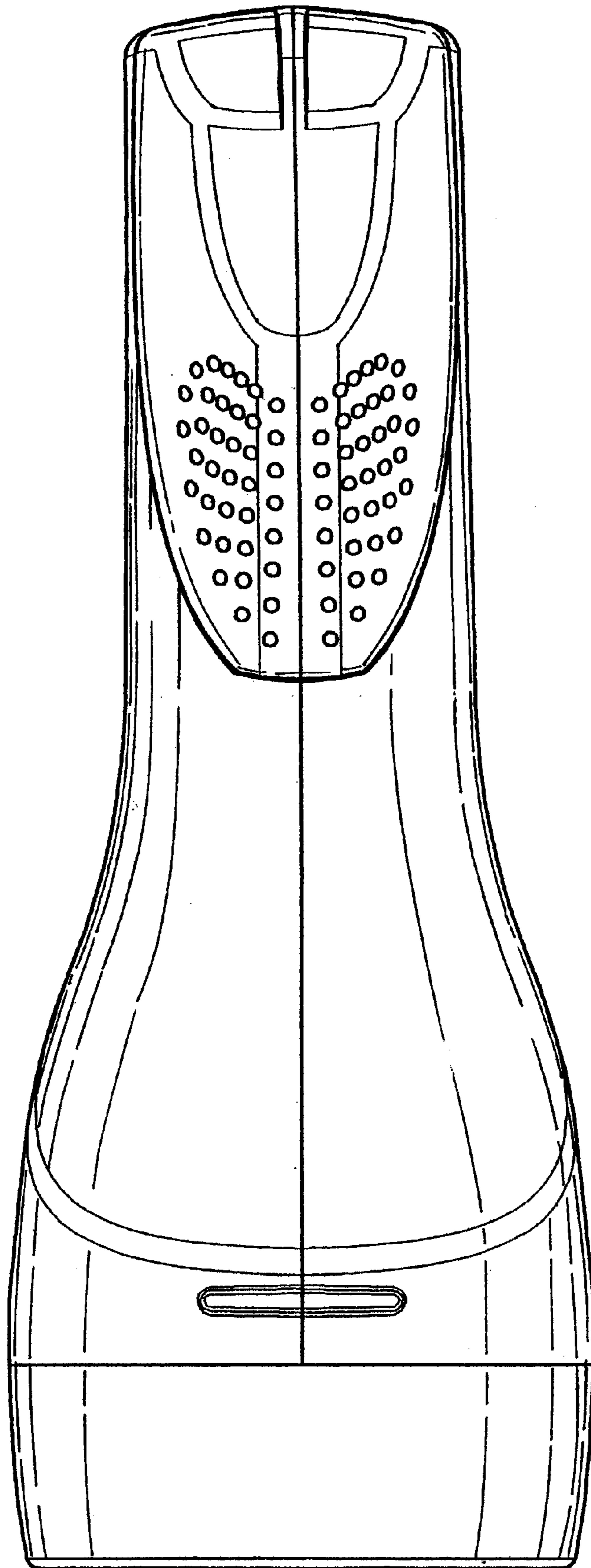


FIG. 4



FIG. 5



FIG. 6

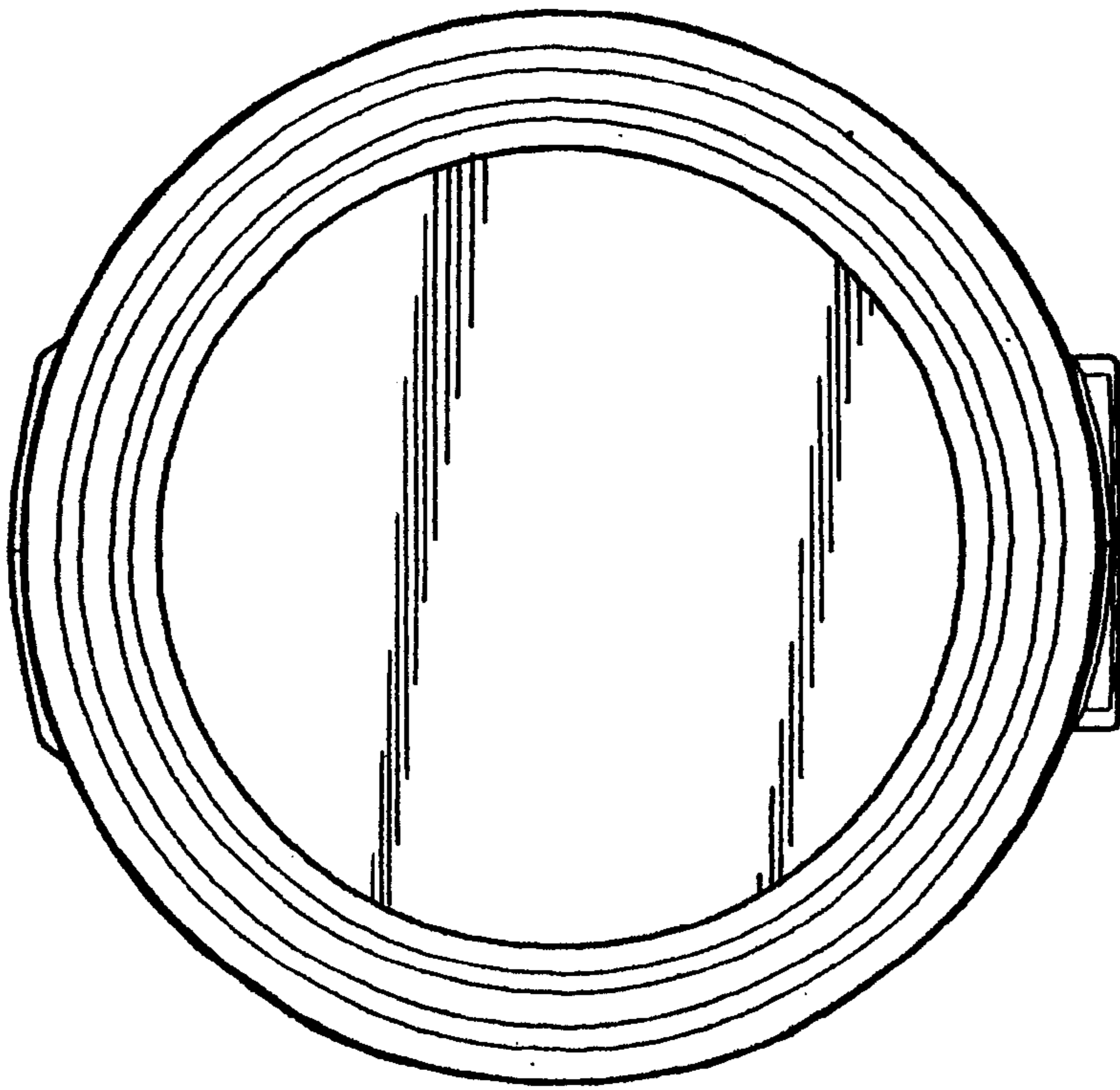


FIG. 7

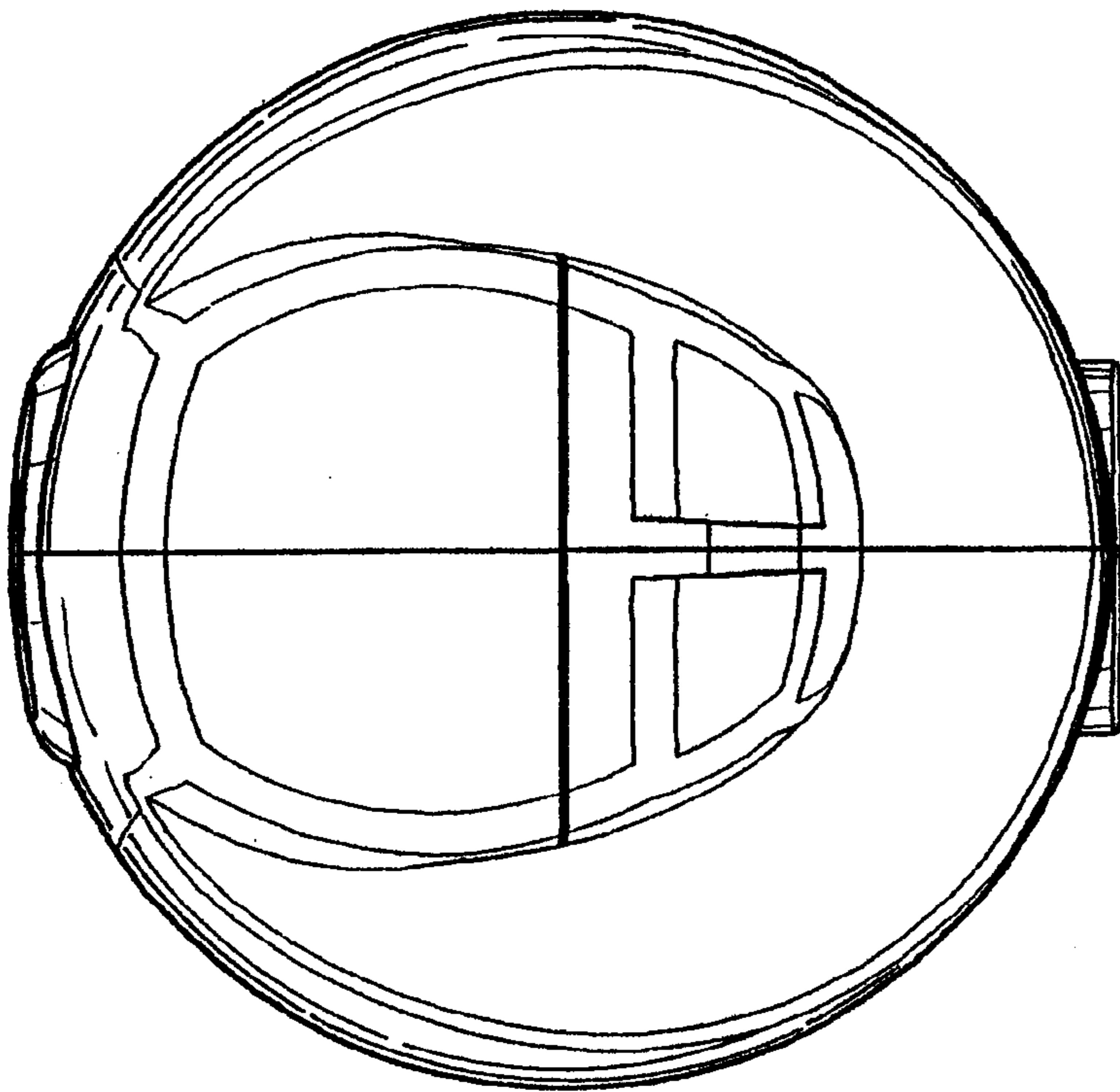


FIG. 8