



US00D448877B1

(12) **United States Design Patent**  
**Kuen**

(10) **Patent No.:** **US D448,877 S**

(45) **Date of Patent:** **\*\* Oct. 2, 2001**

(54) **STROBE LIGHT**

(75) Inventor: **Lam Man Kuen**, North Point (HK)

(73) Assignee: **Sky City Int'l Ltd.**, Hong Kong (CN)

(\*\*) Term: **14 Years**

(21) Appl. No.: **29/124,361**

(22) Filed: **Jun. 5, 2000**

(51) **LOC (7) Cl.** ..... **26-02**

(52) **U.S. Cl.** ..... **D26/48**

(58) **Field of Search** ..... D26/37-50; 362/157,  
362/158, 171, 173, 183-208

(56) **References Cited**

**U.S. PATENT DOCUMENTS**

- D. 406,373 \* 3/1999 Garrity ..... D26/49
- D. 409,777 \* 5/1999 Sharrah et al. .... D26/44

- D. 418,931 \* 1/2000 Poon ..... D26/48
- D. 431,663 \* 10/2000 Kung ..... D26/49

\* cited by examiner

*Primary Examiner*—Marcus A. Jackson

(74) *Attorney, Agent, or Firm*—Price and Gess

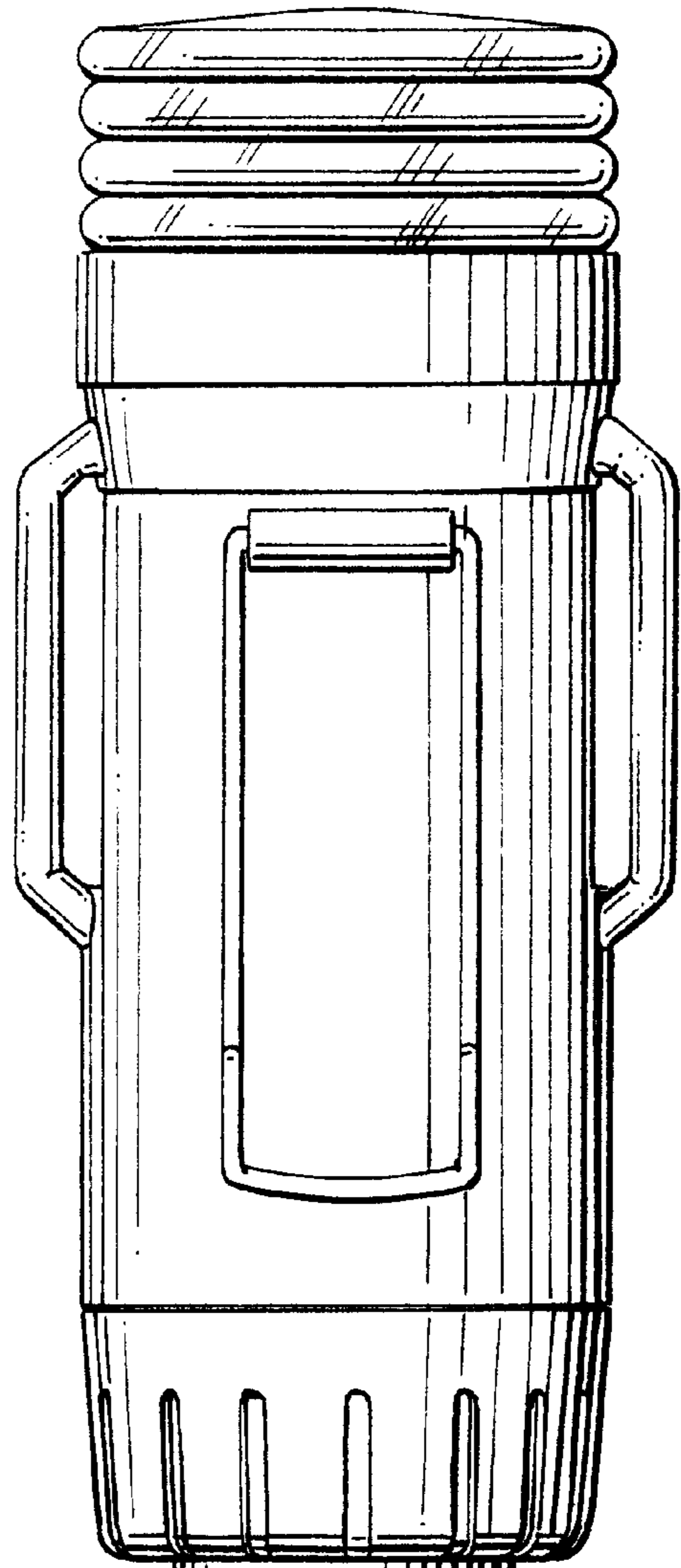
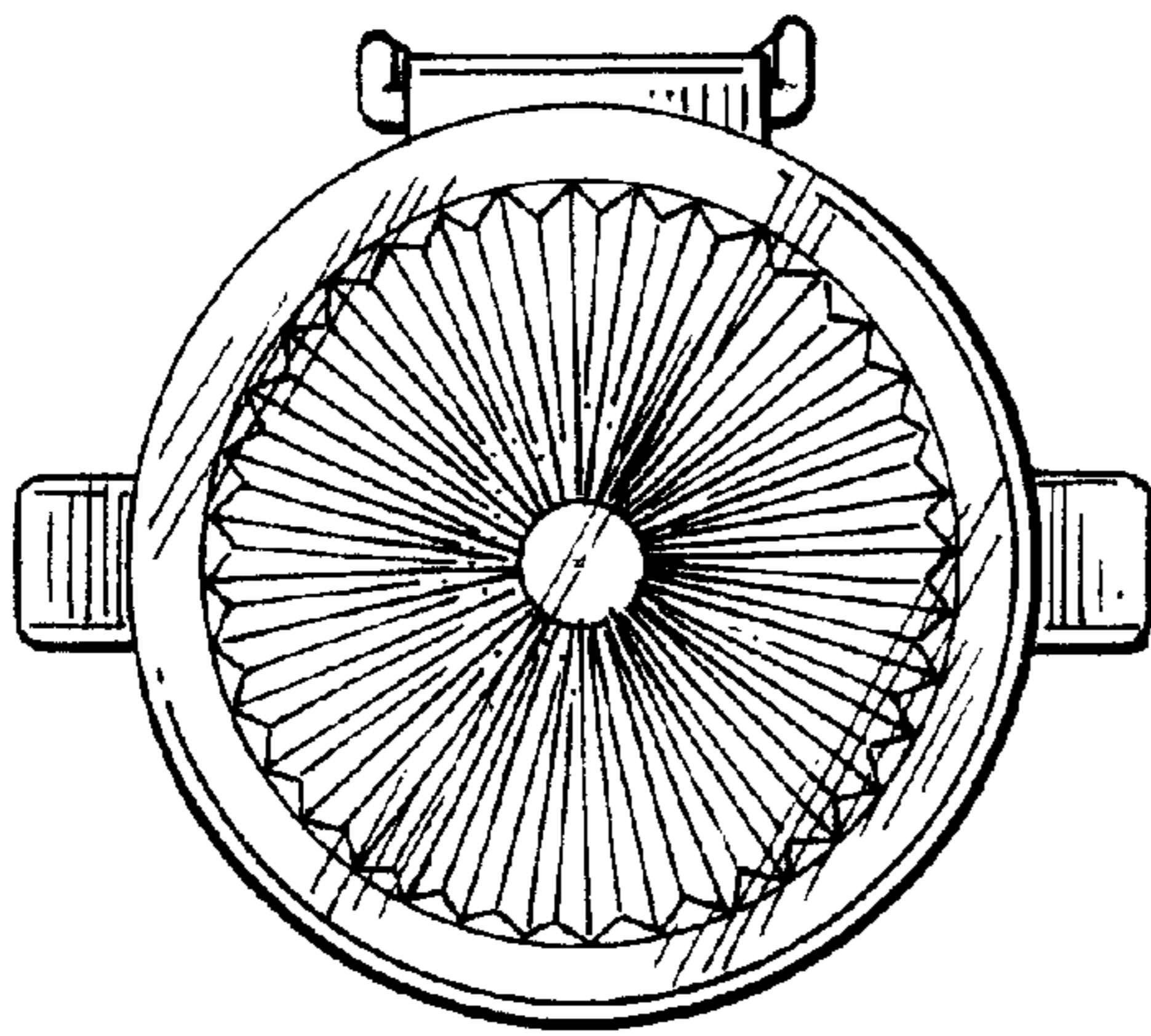
(57) **CLAIM**

The ornamental design for the strobe light, as shown and described.

**DESCRIPTION**

FIG. 1 is a left side elevational view of the strobe light; FIG. 2 is a front elevational view of the strobe light; FIG. 3 is a right side elevational view of the strobe light; FIG. 4 is a top plan view of the strobe light; FIG. 5 is a bottom plan view of the strobe light; and, FIG. 6 is a rear elevational view of the strobe light.

**1 Claim, 2 Drawing Sheets**



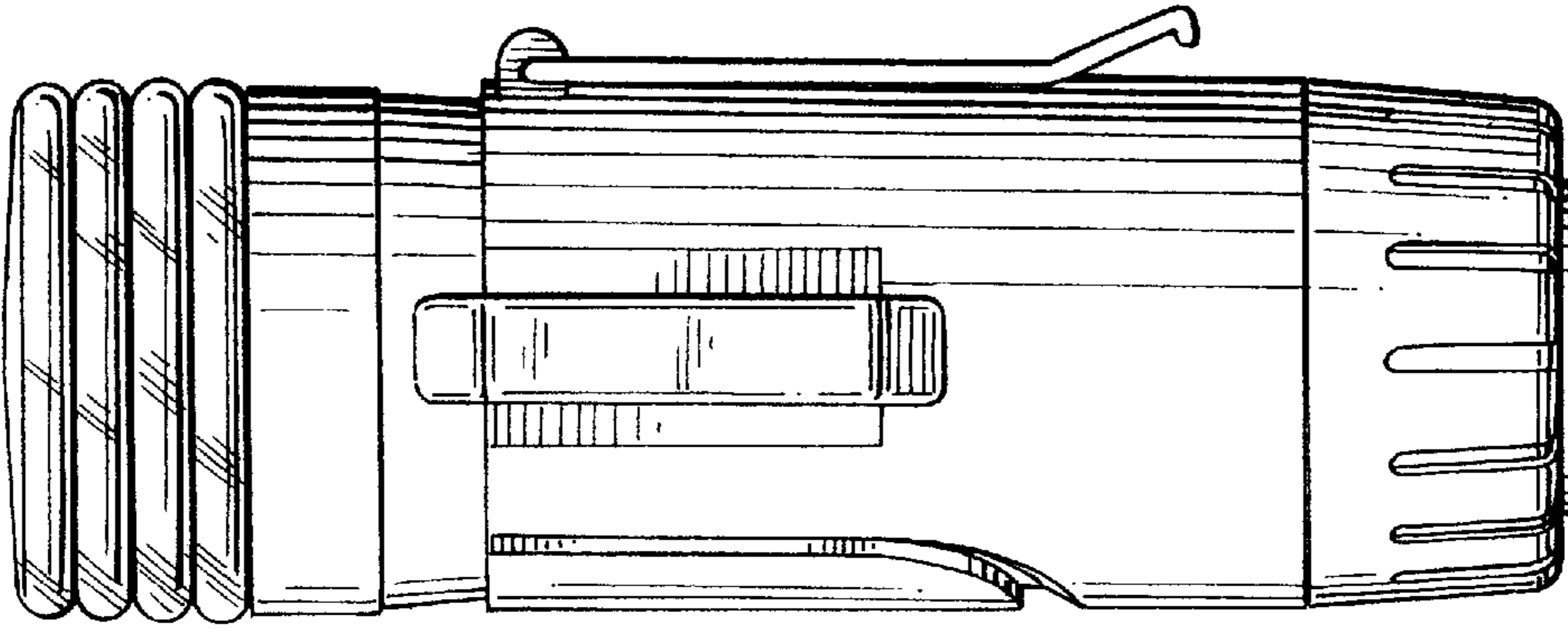


FIG. 3

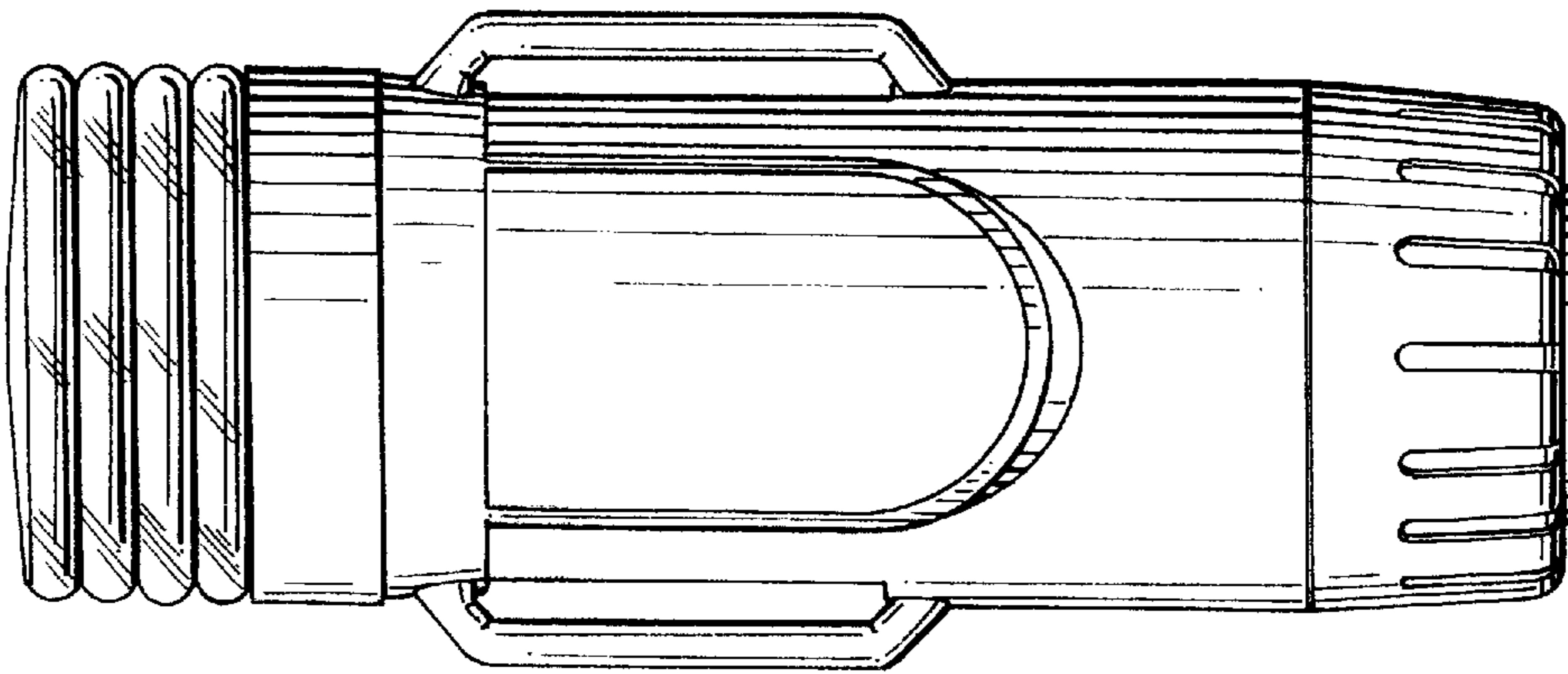


FIG. 1

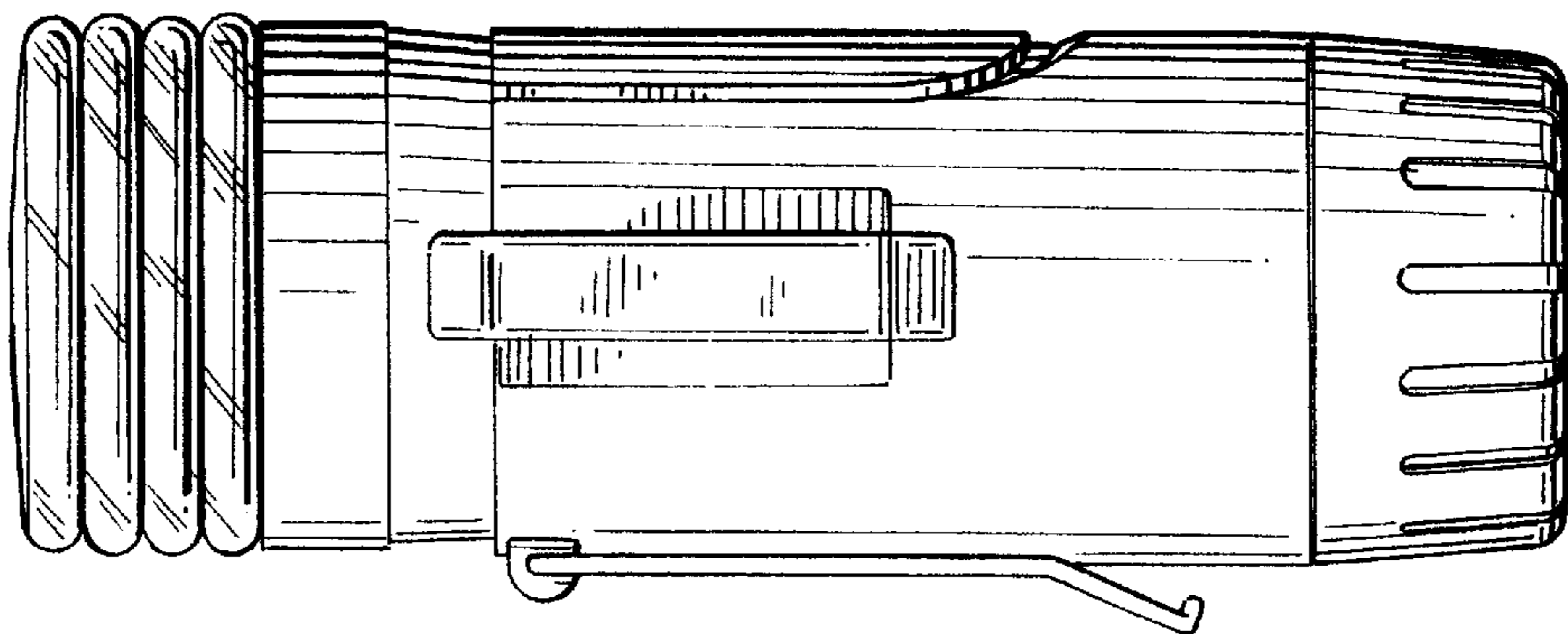


FIG. 2

FIG. 6

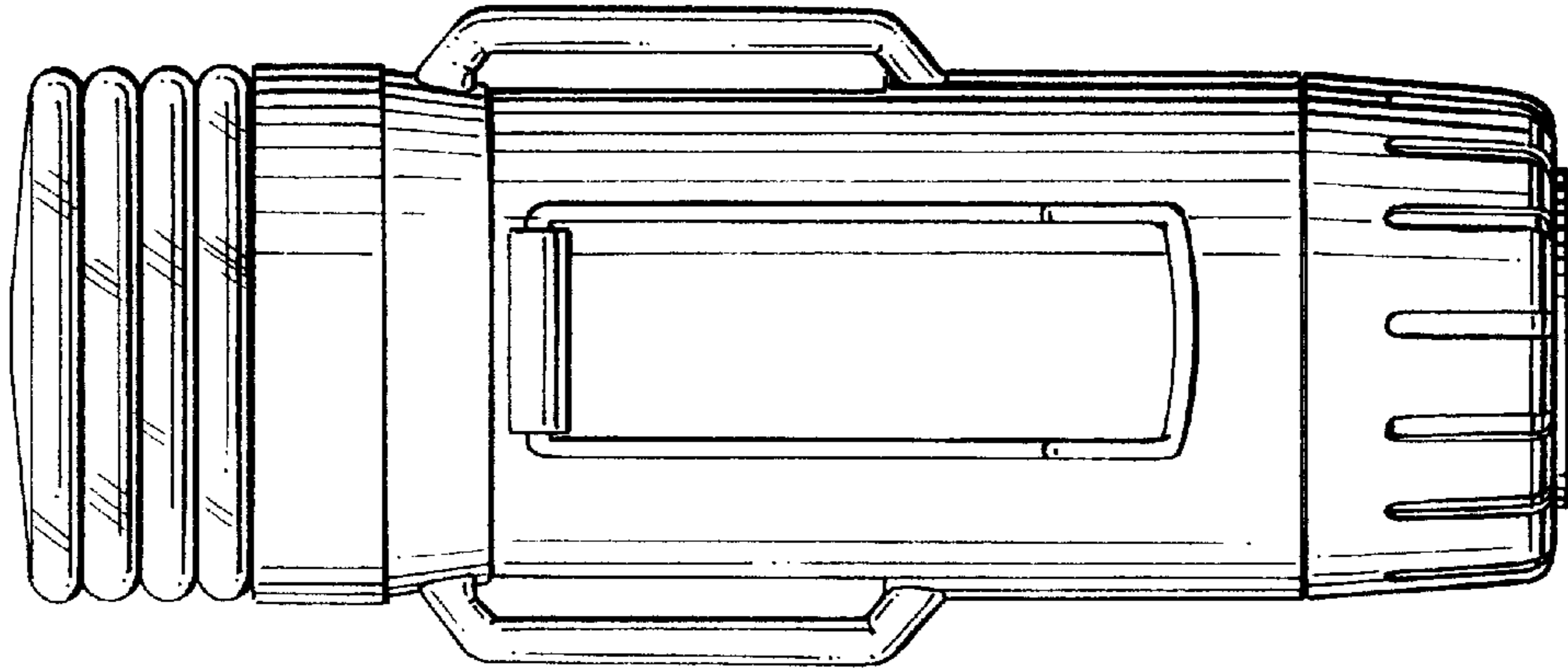


FIG. 4

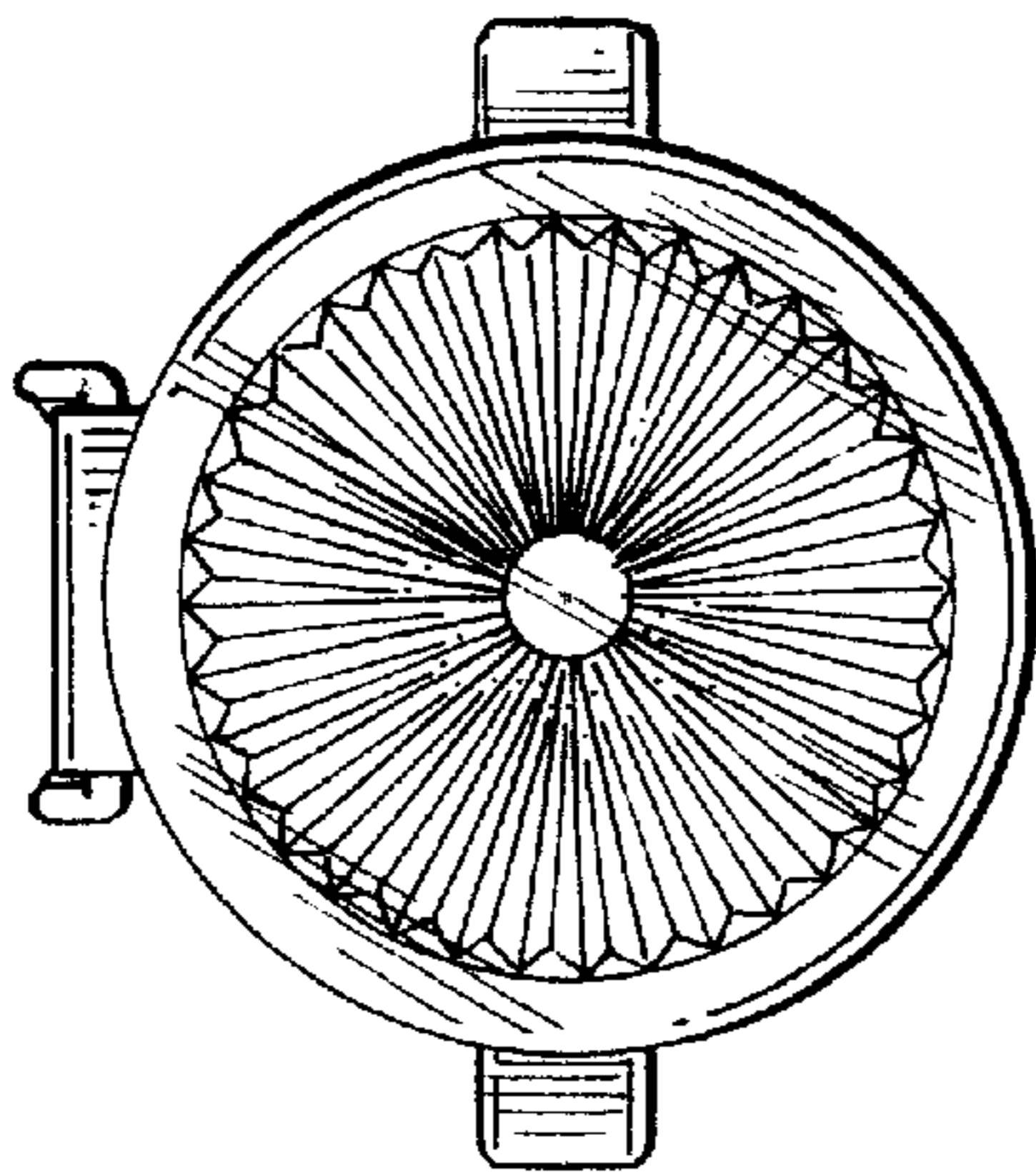


FIG. 5

