



US00D448875B1

(12) **United States Design Patent**
Yuen

(10) **Patent No.:** **US D448,875 S**

(45) **Date of Patent:** **** Oct. 2, 2001**

(54) **RECHARGEABLE FLUORESCENT LANTERN**

D. 392,062 * 3/1998 Wan D26/42
D. 437,951 * 2/2001 Yuen D26/42

(76) **Inventor:** **John Se-Kit Yuen**, 6/F Yau Lee Centre,
45 Hoi Yuen Road, Kwun Tong,
Kowloon (HK)

* cited by examiner

Primary Examiner—Marcus A. Jackson
(74) *Attorney, Agent, or Firm*—Raymond Y. Chan; David
and Raymond Patent Group

(**) **Term:** **14 Years**

(57) **CLAIM**

(21) **Appl. No.:** **29/134,222**

The ornamental design for a rechargeable fluorescent lantern, as shown.

(22) **Filed:** **Dec. 18, 2000**

(51) **LOC (7) Cl.** **26-02**

DESCRIPTION

(52) **U.S. Cl.** **D26/42**

FIG. 1 is a prespective view thereof.

(58) **Field of Search** D26/37-50; 362/157,
362/158, 171, 173, 183-208

FIG. 2 is a front view thereof.

FIG. 3 is a rear view thereof.

FIG. 4 is a right view thereof.

FIG. 5 is a left view thereof.

FIG. 6 is a top view thereof; and,

FIG. 7 is a bottom view thereof.

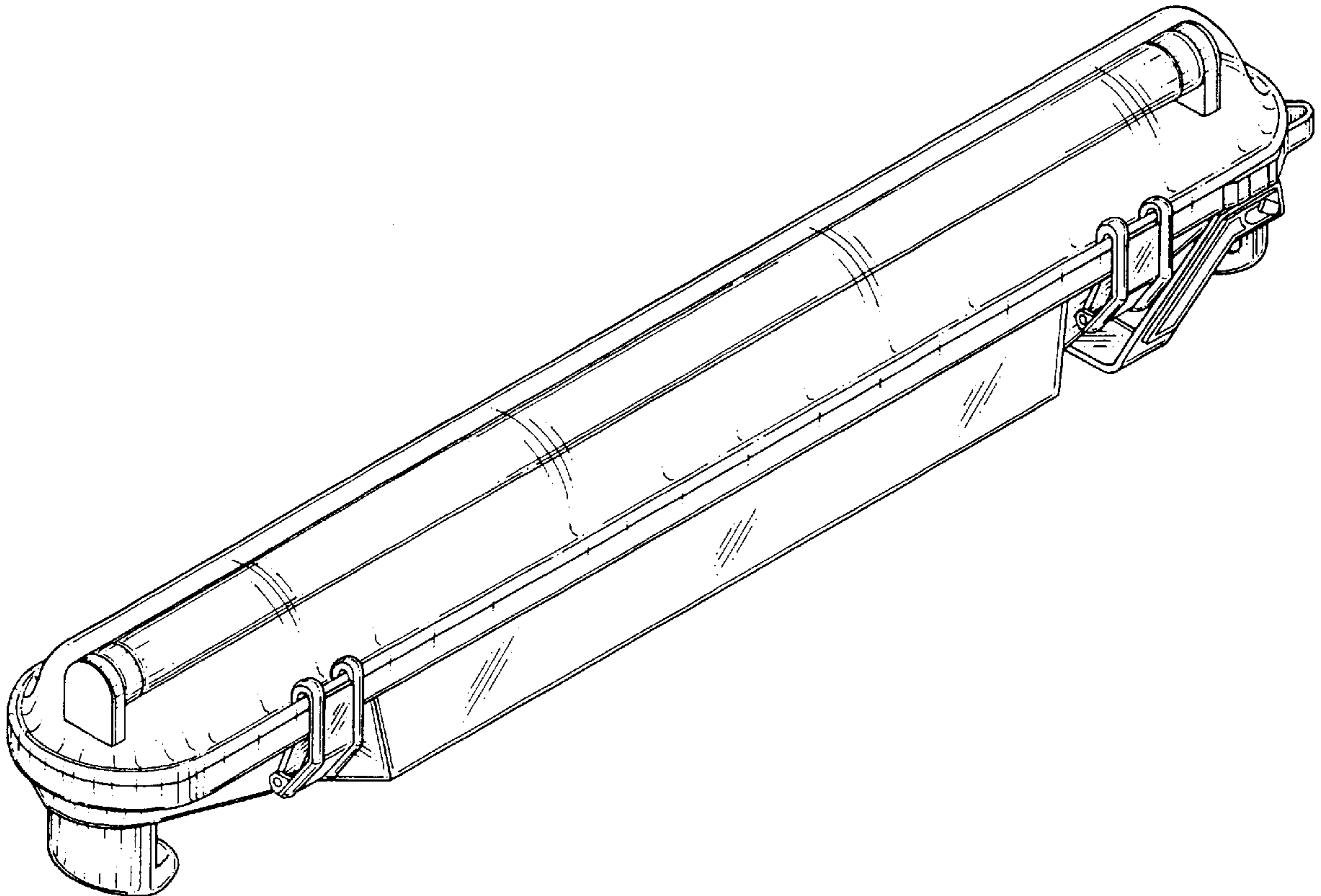
(56) **References Cited**

U.S. PATENT DOCUMENTS

D. 375,374 * 11/1996 Yuen D26/42

D. 378,141 * 2/1997 Yuen D26/42

1 Claim, 7 Drawing Sheets



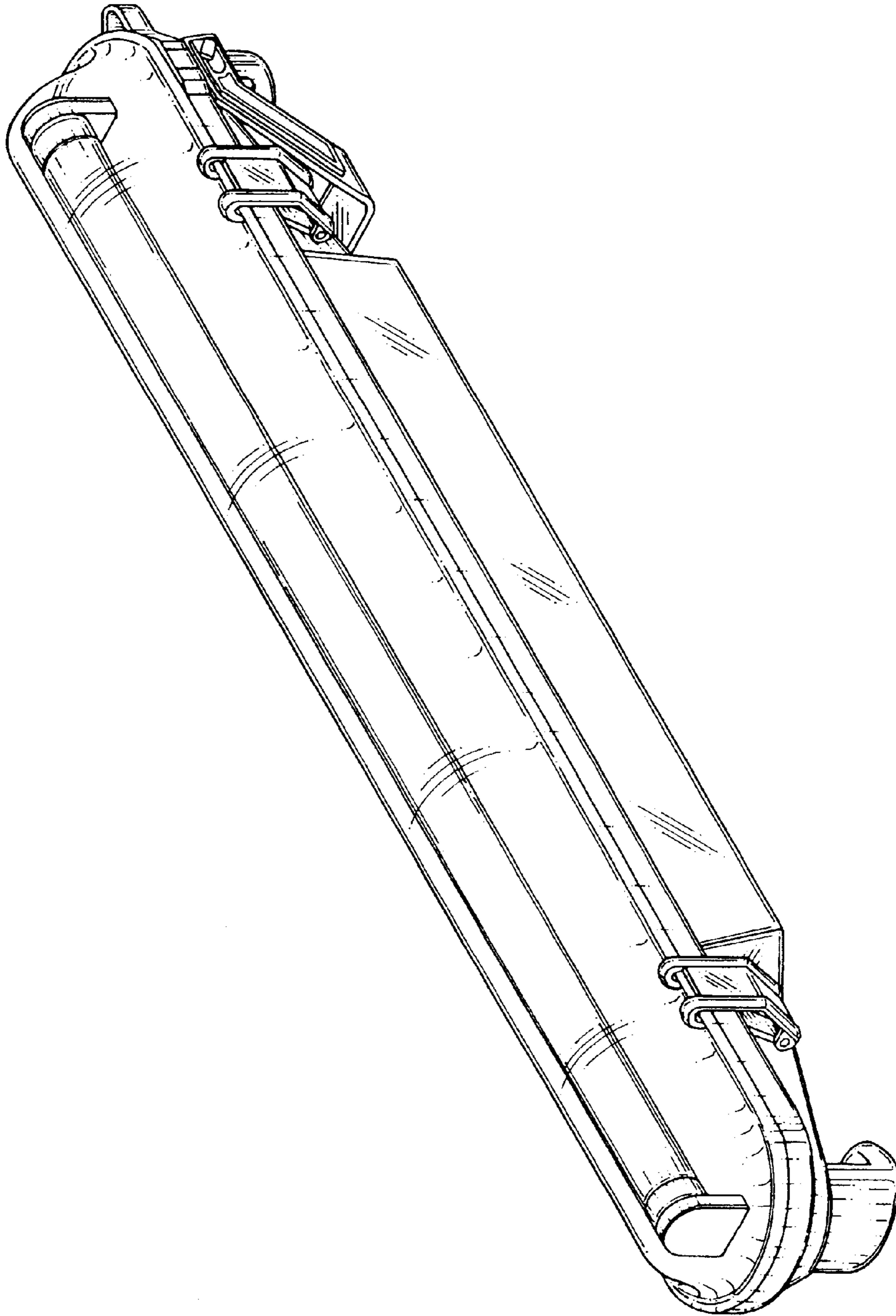


FIG.1

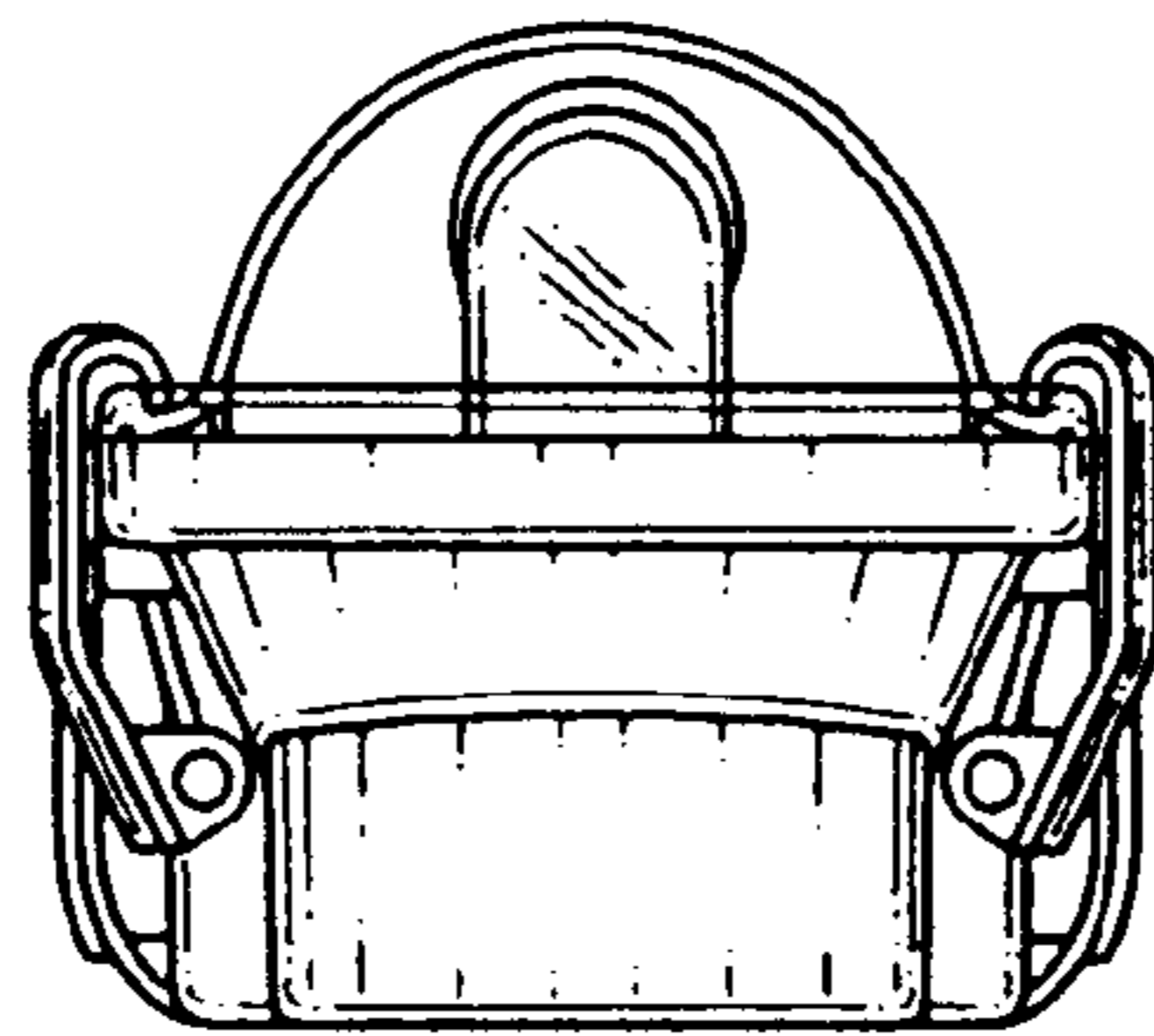


FIG.2

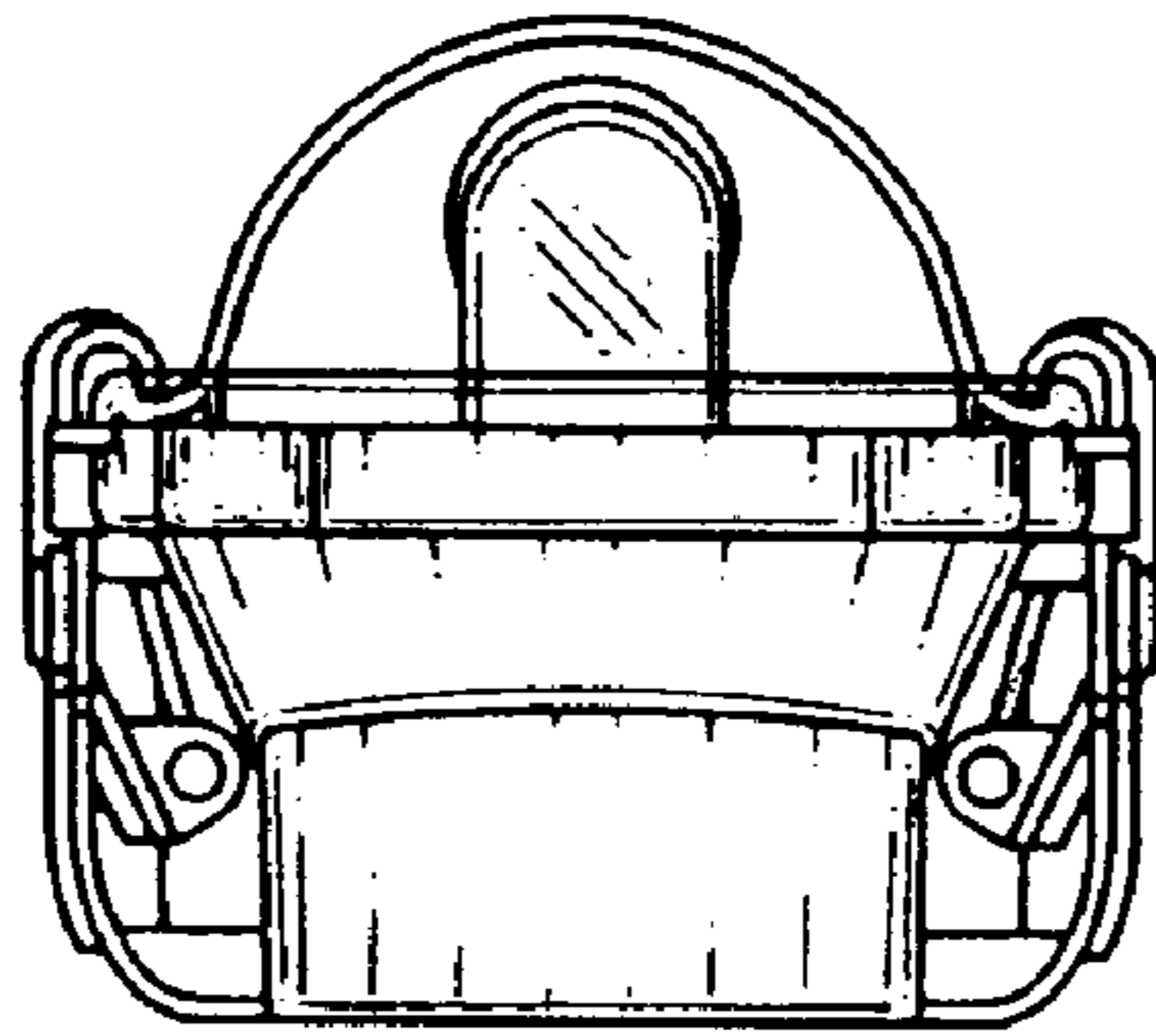


FIG.3

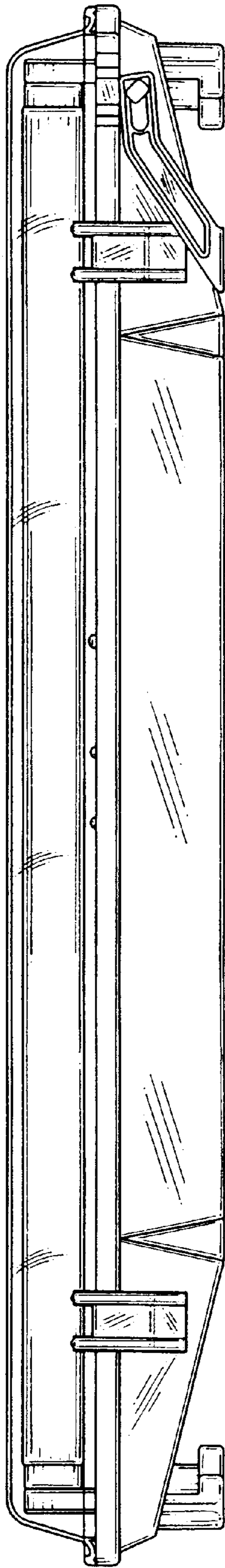


FIG.4

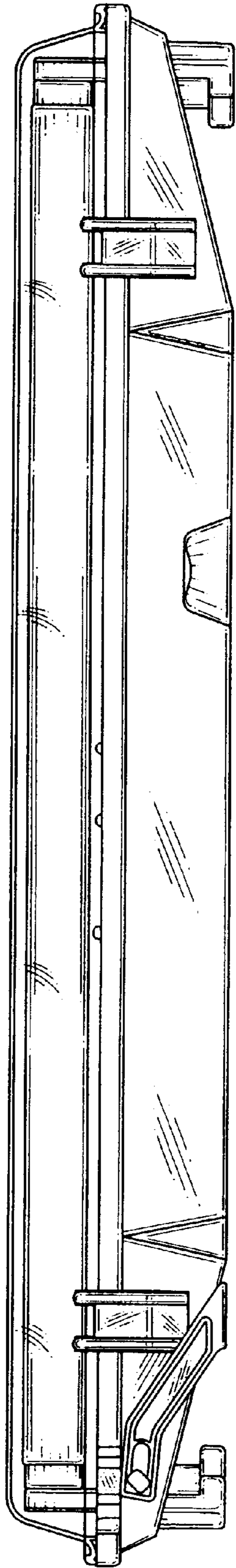


FIG.5

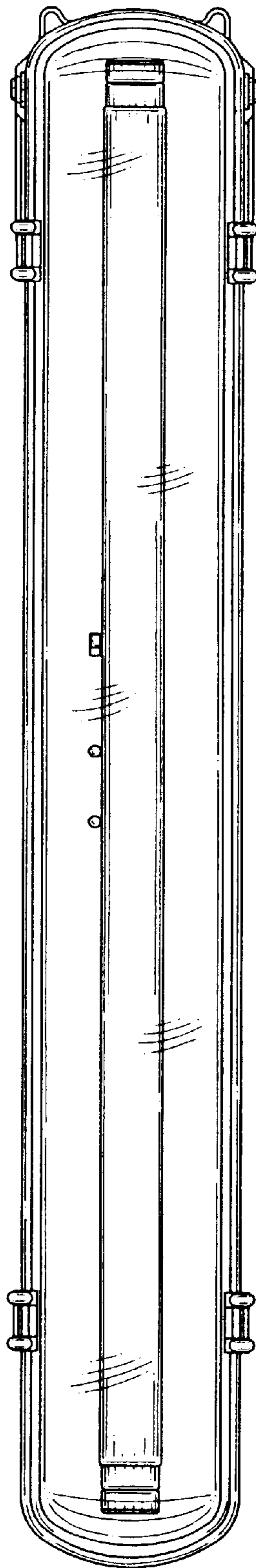


FIG.6

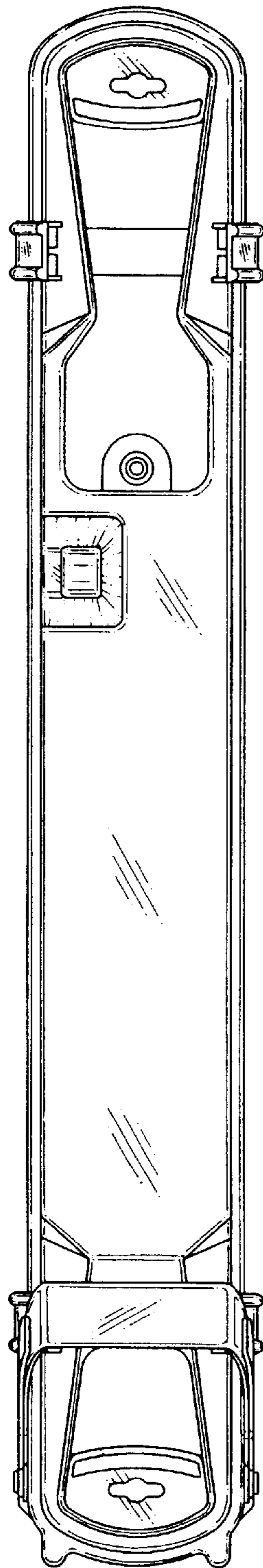


FIG.7