



US00D448873B1

(12) **United States Design Patent** (10) **Patent No.:** **US D448,873 S**
Dalton et al. (45) **Date of Patent:** **** Oct. 2, 2001**

(54) **PORTABLE LIGHT**

(75) Inventors: **David R. Dalton**, Turramurra; **John R. Brown**, Mosman, both of (AU)

(73) Assignee: **Eveready Battery Company, Inc.**, St. Louis, MO (US)

(**) Term: **14 Years**

(21) Appl. No.: **29/108,365**

(22) Filed: **Jul. 26, 1999**

(30) **Foreign Application Priority Data**

May 3, 1999 (AU) 1390/99

(51) **LOC (7) Cl.** **26-02**

(52) **U.S. Cl.** **D26/37**

(58) **Field of Search** D26/37-50; 362/158,
362/183-209

(56) **References Cited**

U.S. PATENT DOCUMENTS

- D. 353,903 * 12/1994 Yuen D26/42
- D. 357,757 * 4/1995 Bamber et al. D26/37
- D. 383,230 * 9/1997 Yuen D26/42
- D. 407,510 * 3/1999 Yuen D26/37

* cited by examiner

Primary Examiner—Marcus A. Jackson
(74) *Attorney, Agent, or Firm*—Robert W. Welsh

(57) **CLAIM**

We claim the ornamental design for a portable light, as shown in the drawing figures.

DESCRIPTION

FIG. 1 is a perspective view showing the front, top, and a first side of the portable light of the present invention;

FIG. 2 is a perspective view showing the rear, top, and a second side of the portable light of the present invention;

FIG. 3 is a perspective view of the front of the portable light of the present invention;

FIG. 4 is a perspective view of the rear of the portable light of the present invention;

FIG. 5 is a perspective view showing the first side of the portable light of the present invention;

FIG. 6 is a perspective view showing the second side of the portable light of the present invention;

FIG. 7 is a perspective view showing the top of the portable light of the present invention;

FIG. 8 is a perspective view of the bottom of the portable light of the present invention;

FIG. 9 is a perspective view showing the front, top, and a first side of the portable light of the present invention with a lighting portion in an extended position;

FIG. 10 is a perspective view showing the rear, top, and a second side of the portable light of the present invention with the lighting portion in an extended position;

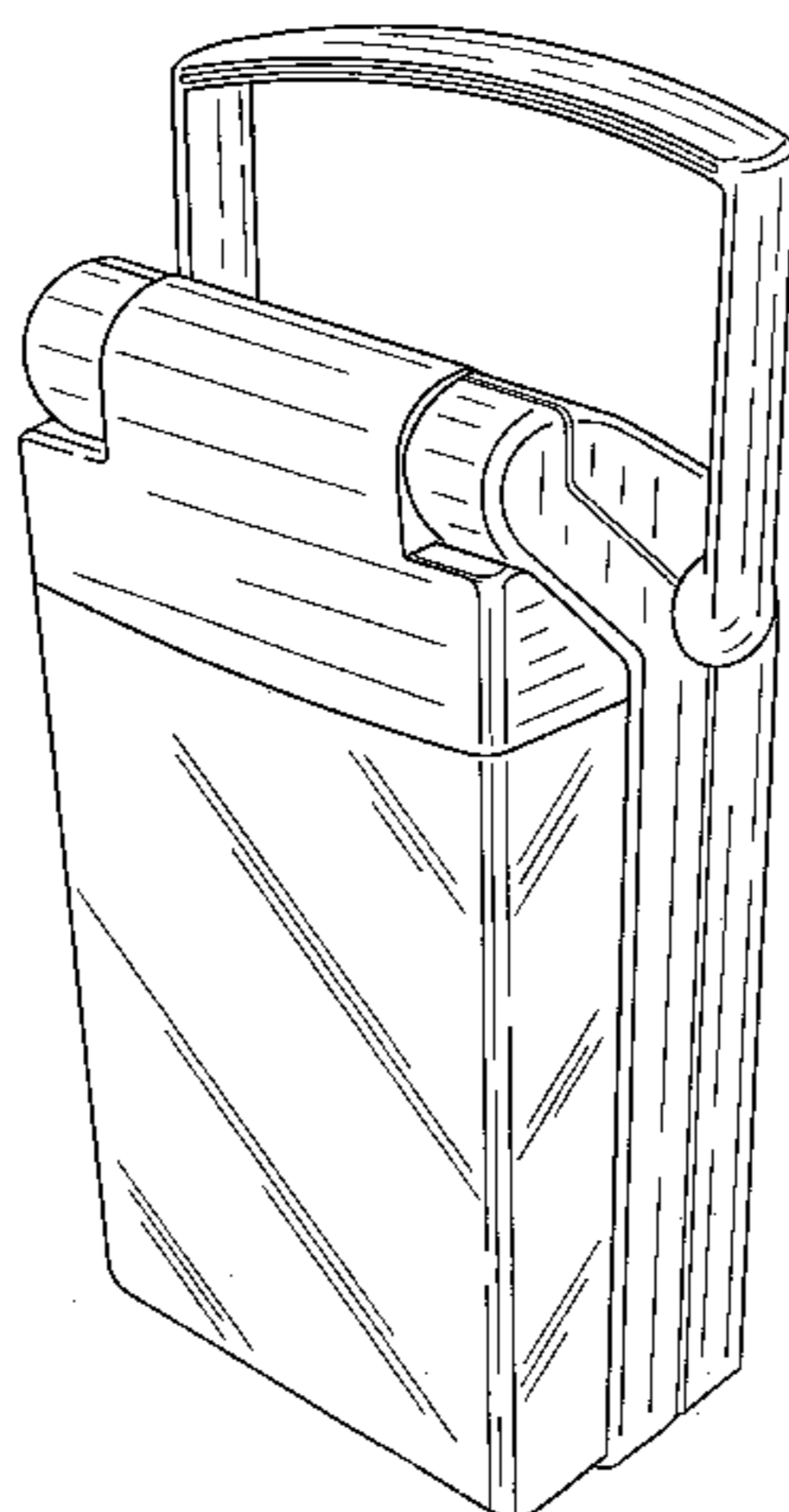
FIG. 11 is a perspective view of the front of the portable light of the present invention with the lighting portion in an extended position;

FIG. 12 is a perspective view showing the second side of the portable light of the present invention with the lighting portion in an extended position;

FIG. 13 is a perspective view showing the top of the portable light of the present invention with the lighting portion in an extended position; and,

FIG. 14 is a perspective view of the bottom of the portable light of the present invention with the lighting portion in an extended position.

1 Claim, 11 Drawing Sheets



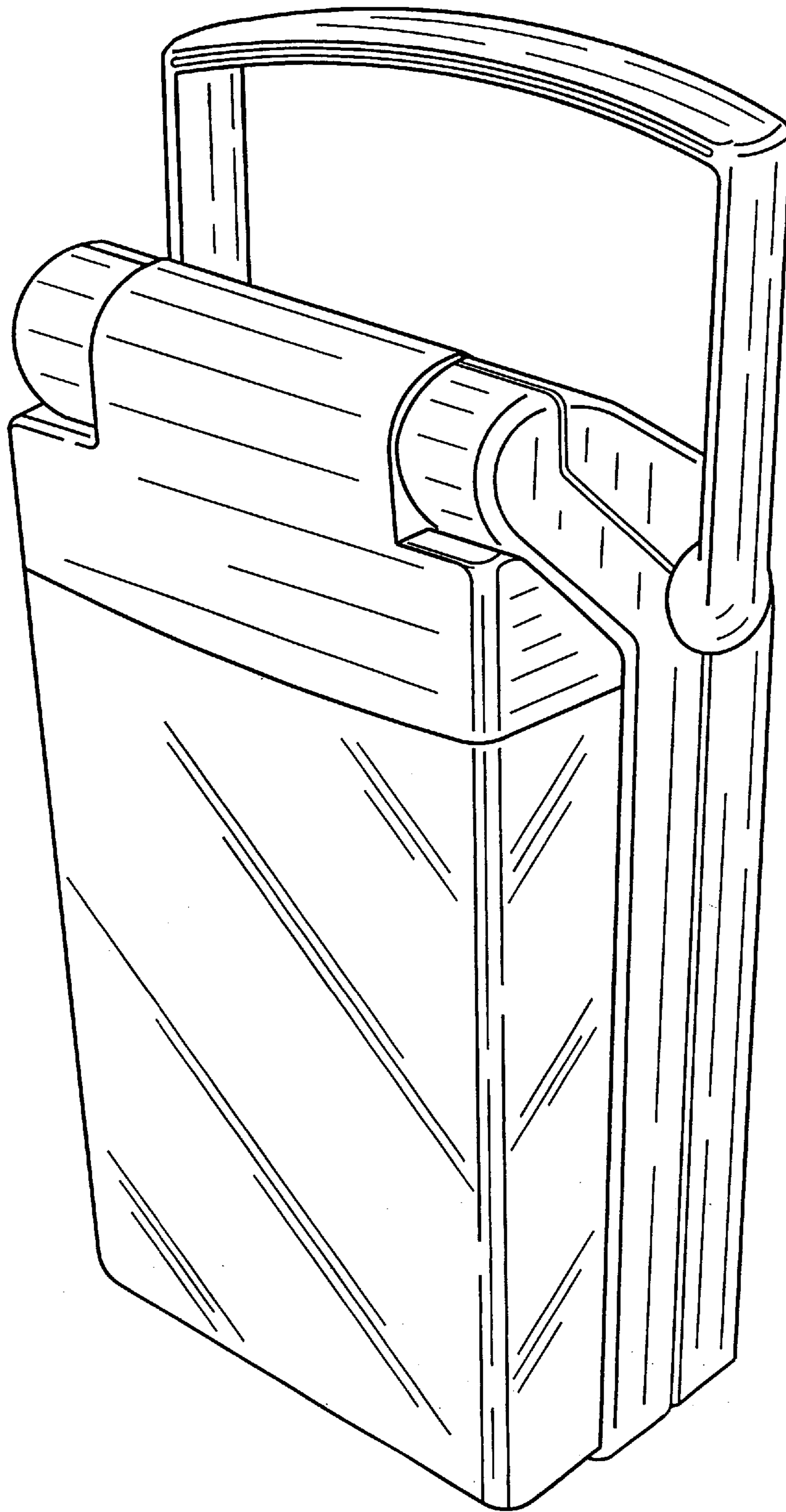


Fig. 1

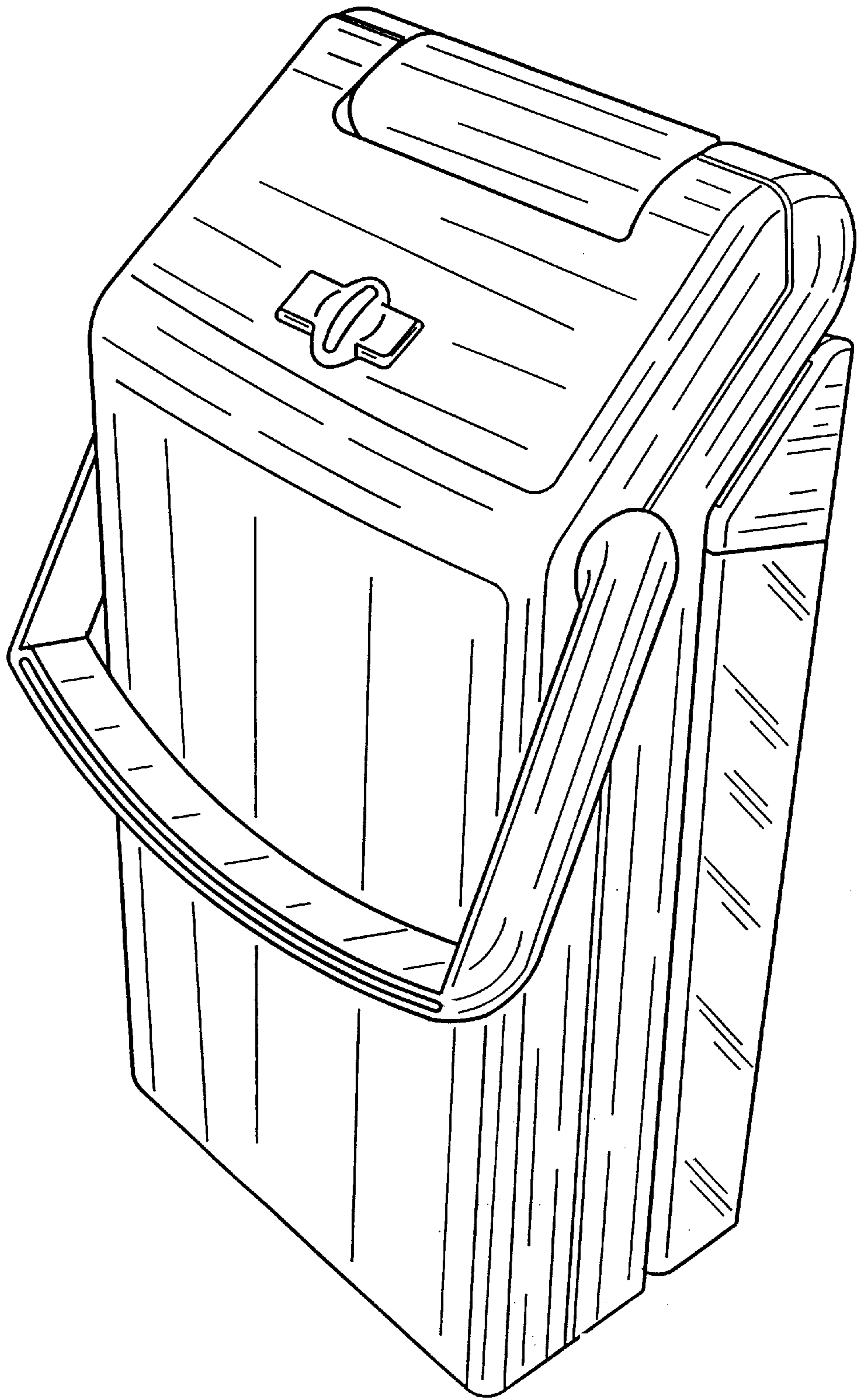


Fig. 2

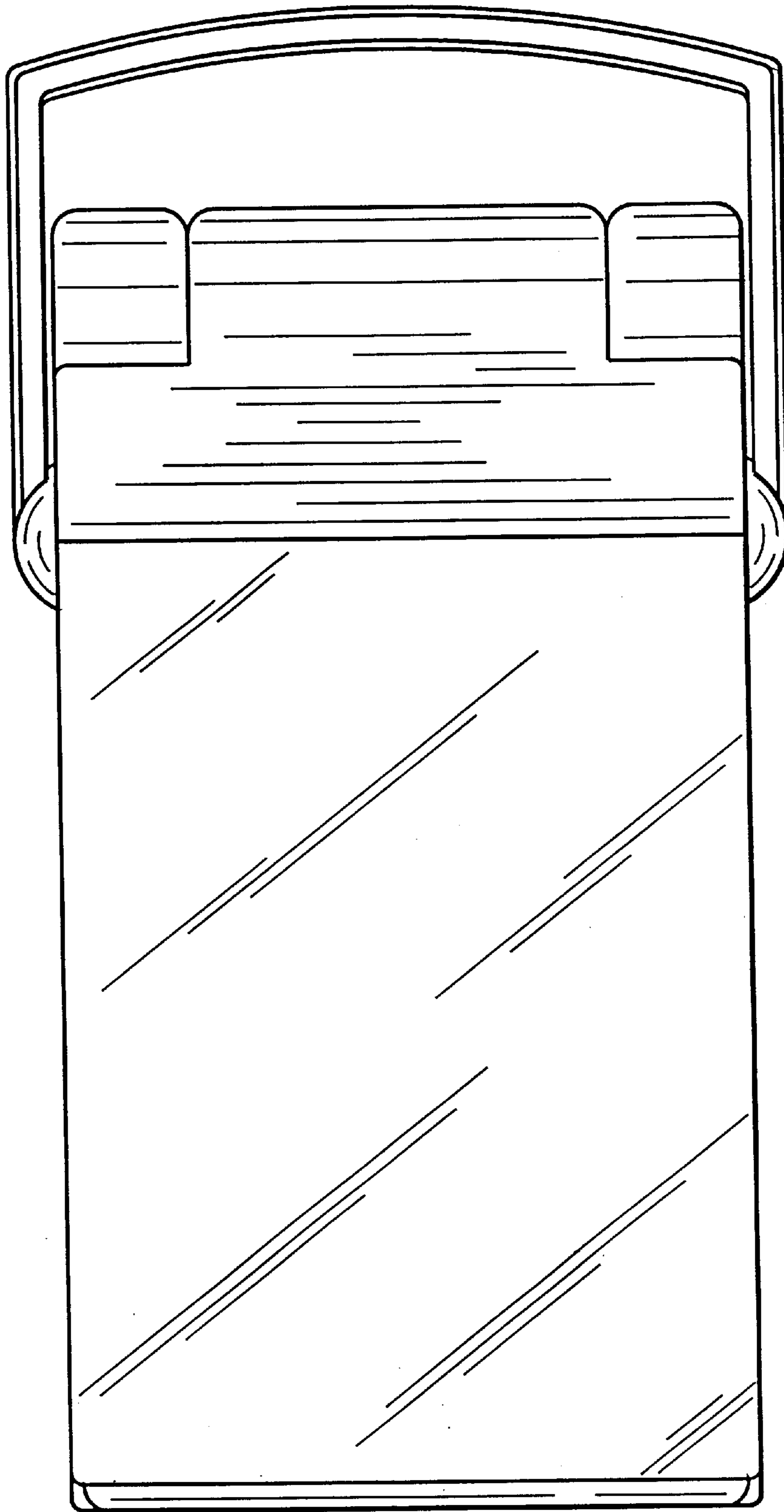


Fig. 3

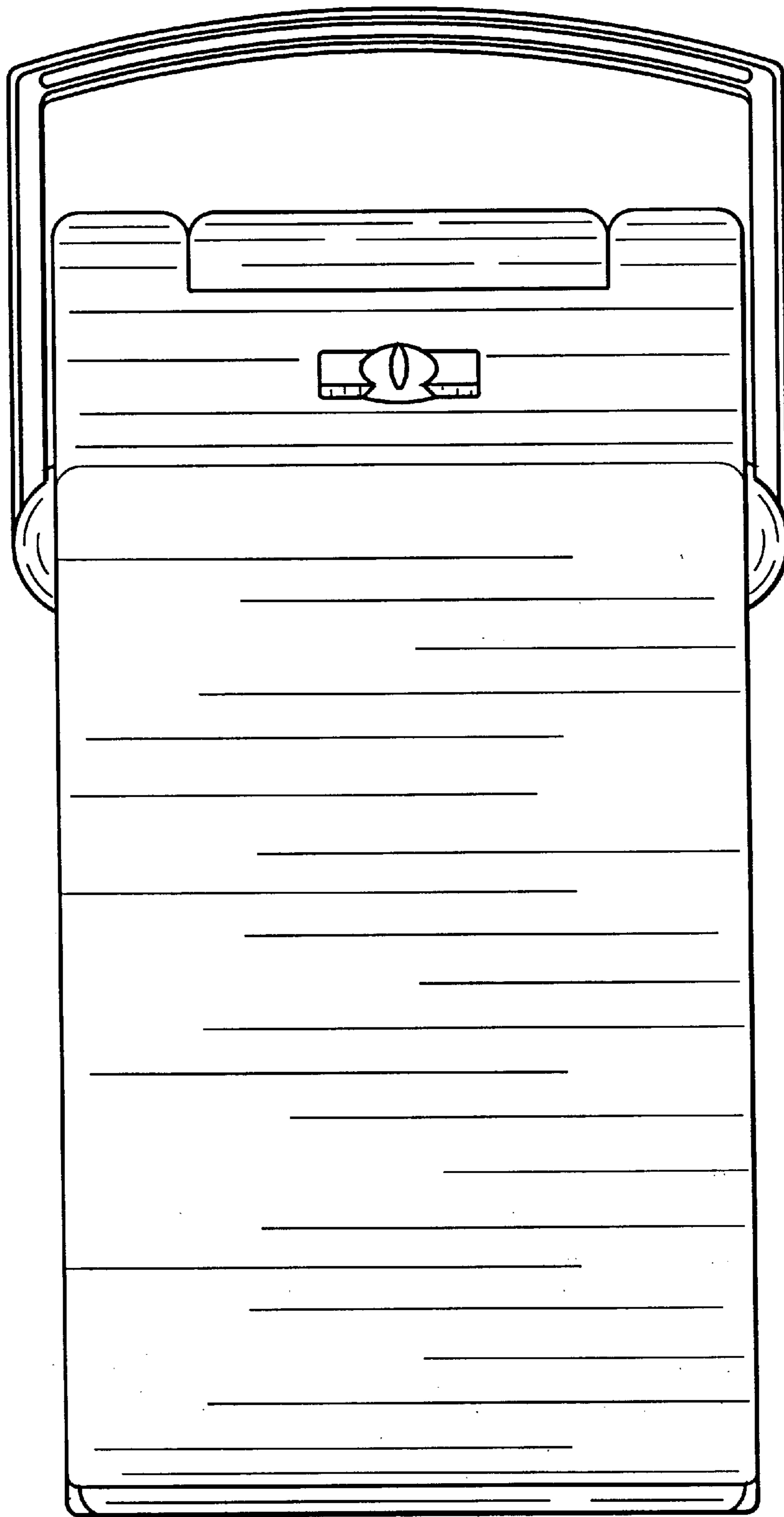


Fig. 4

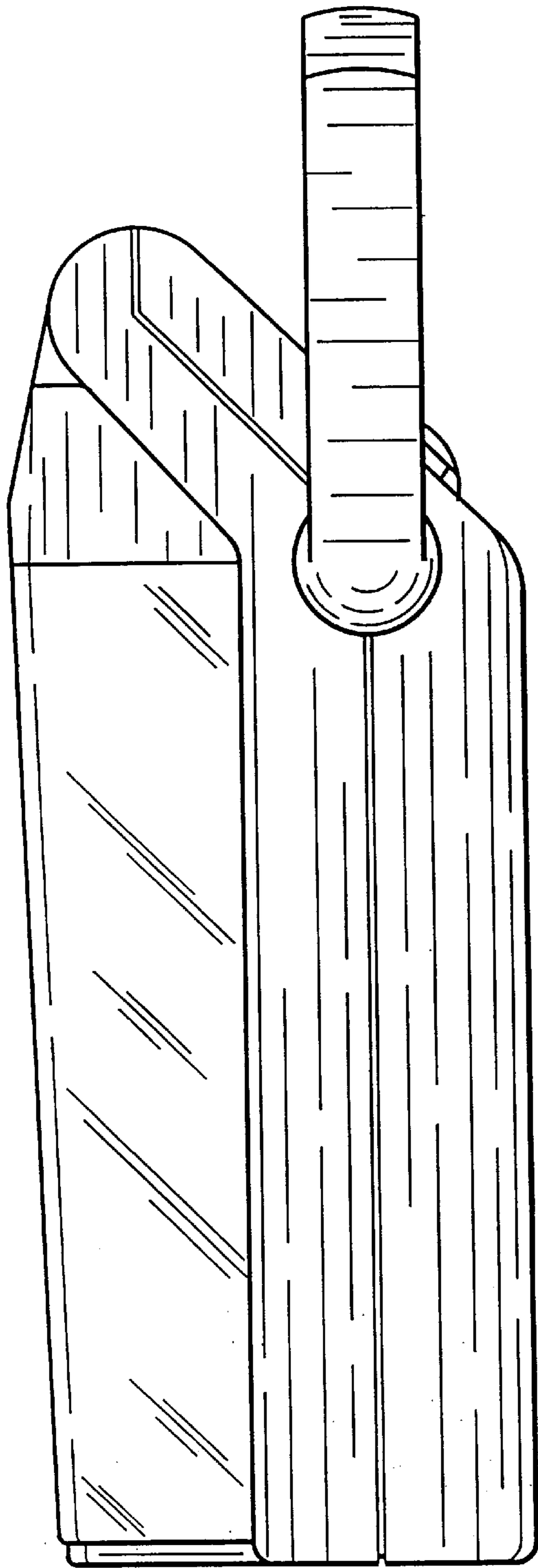


Fig. 5

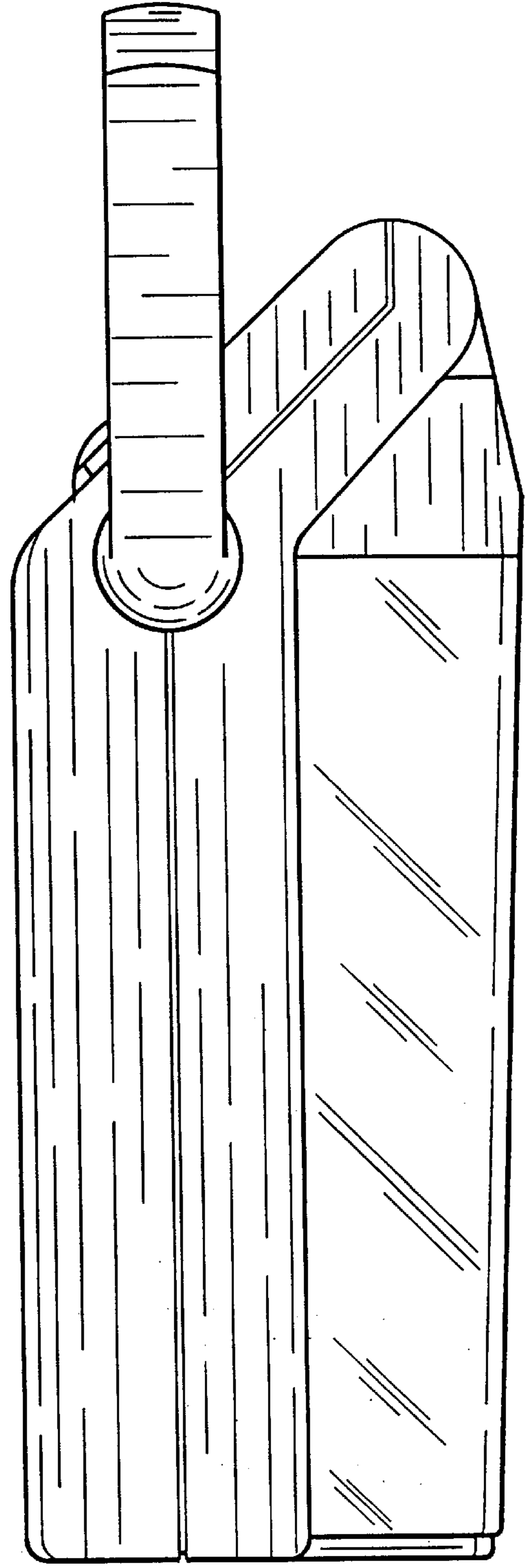


Fig. 6

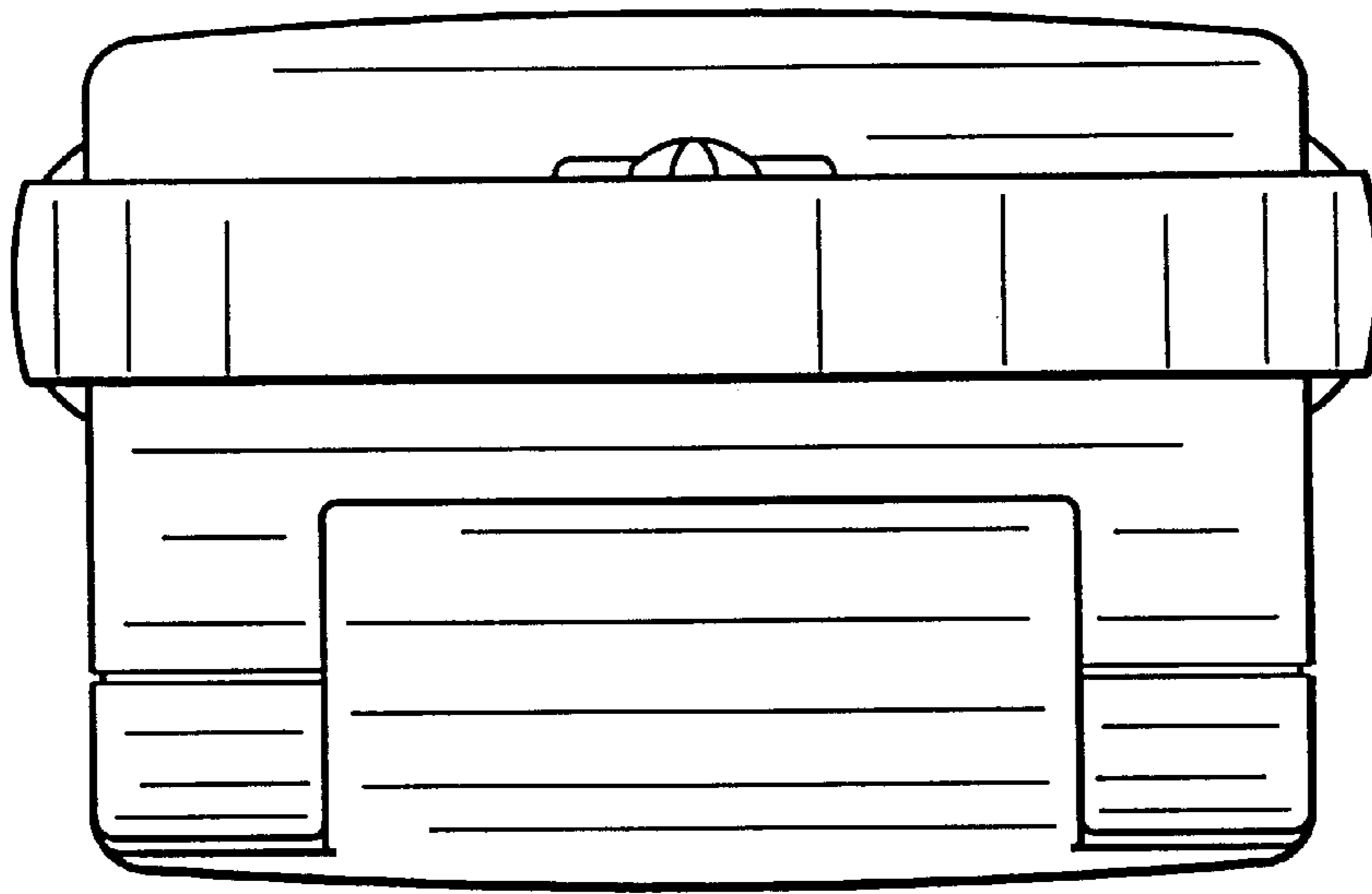


Fig. 7

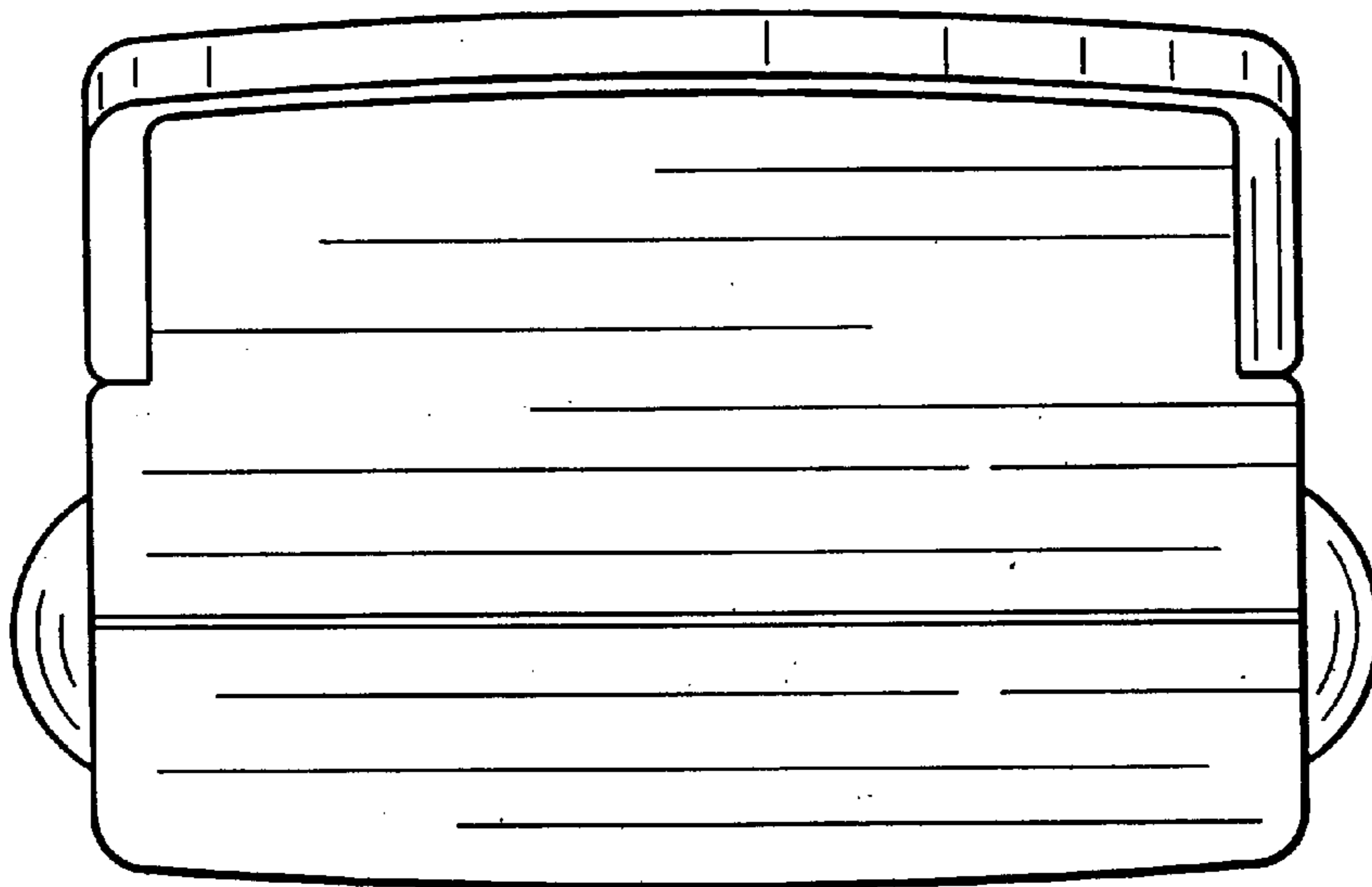


Fig. 8

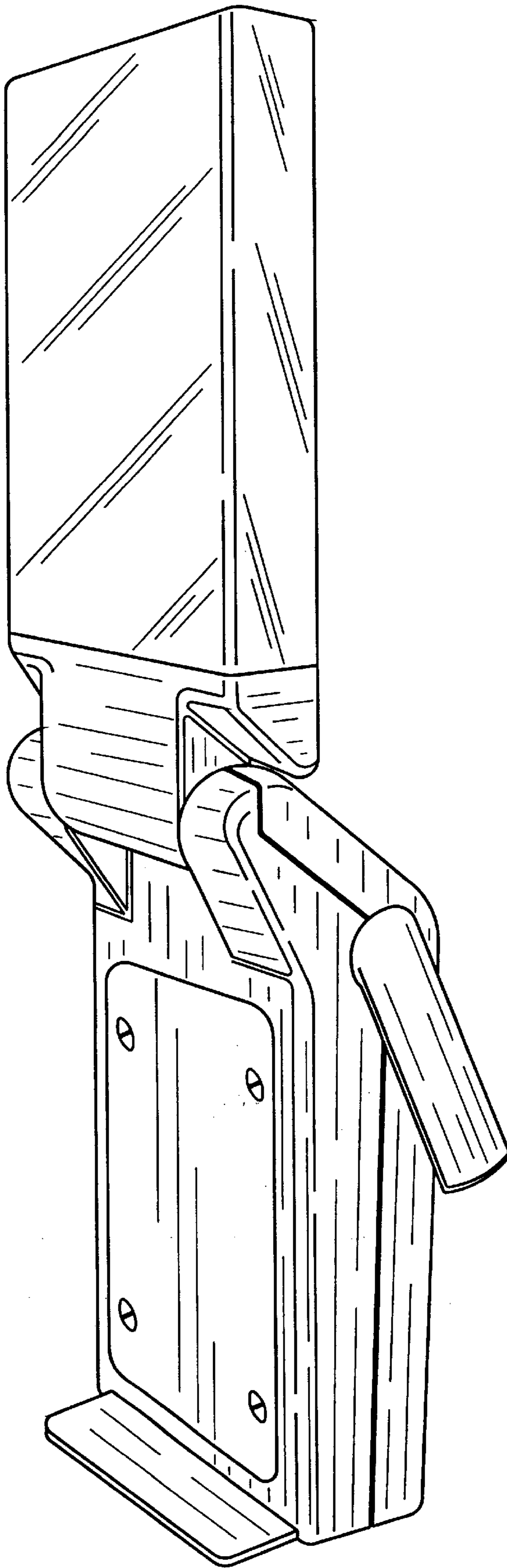
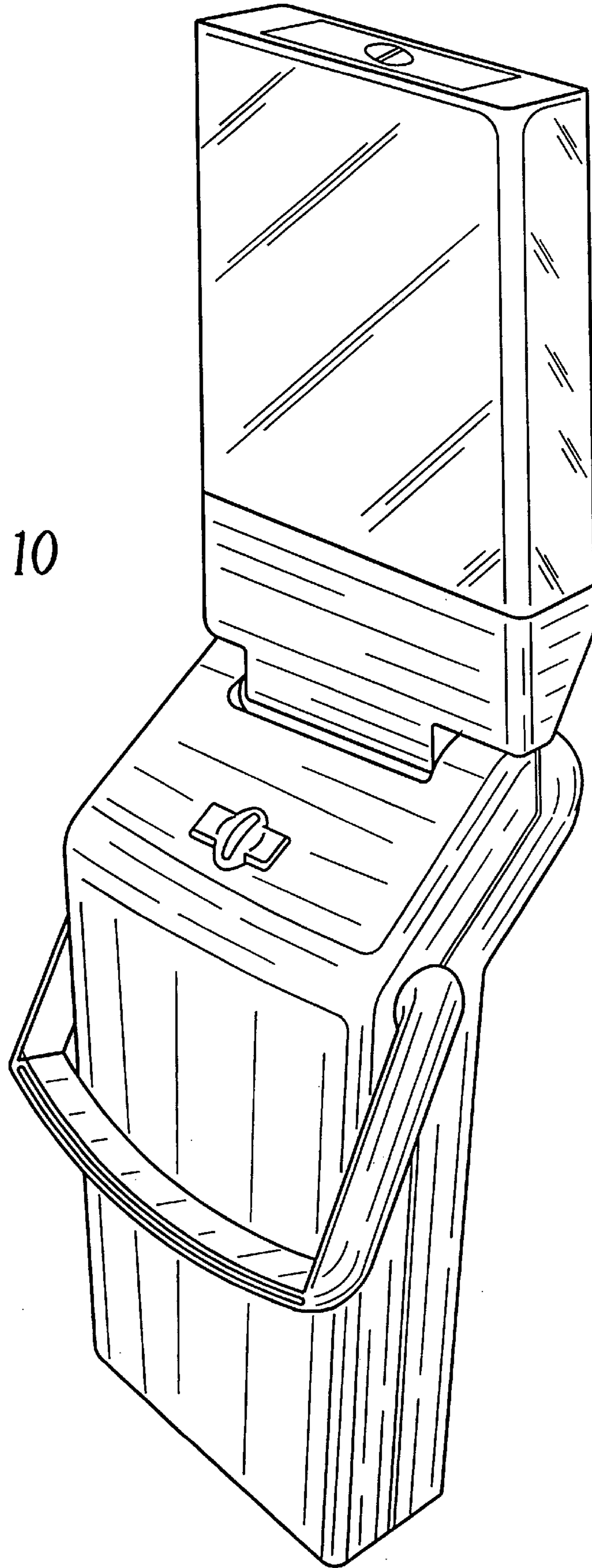


Fig. 9

Fig. 10



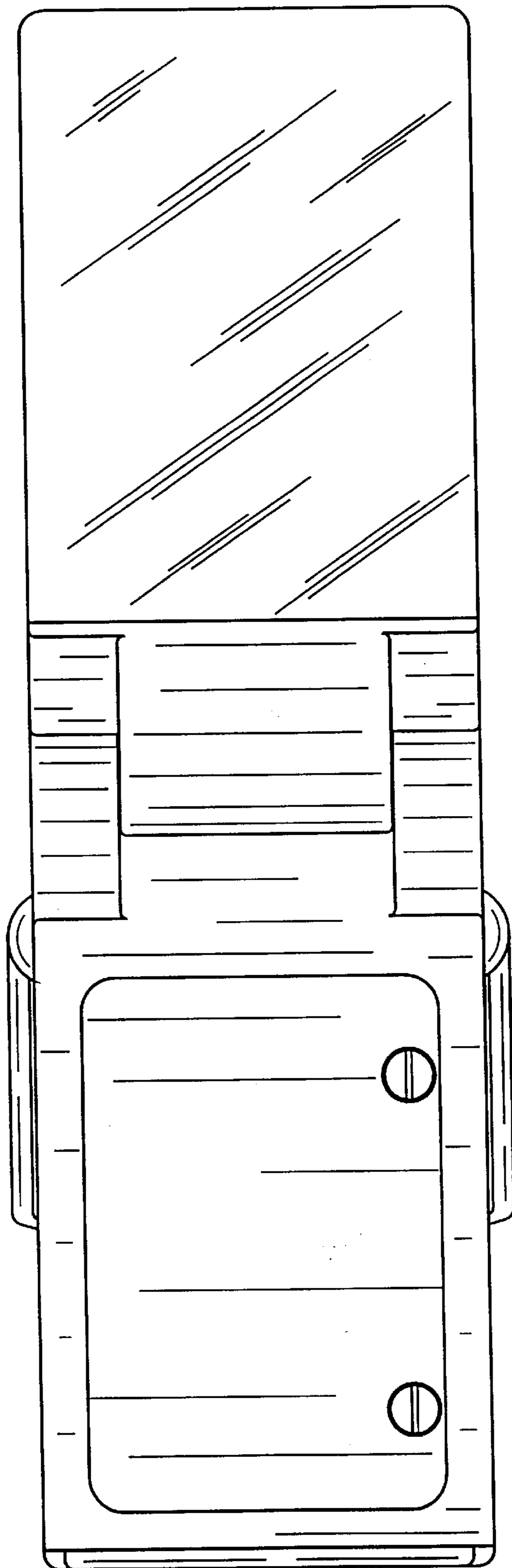
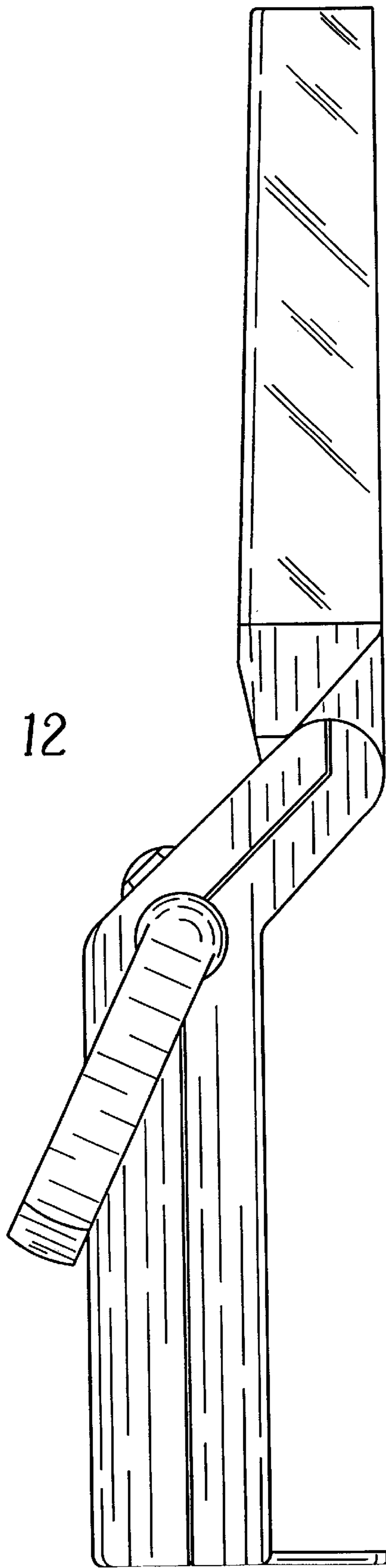


Fig. 11

Fig. 12



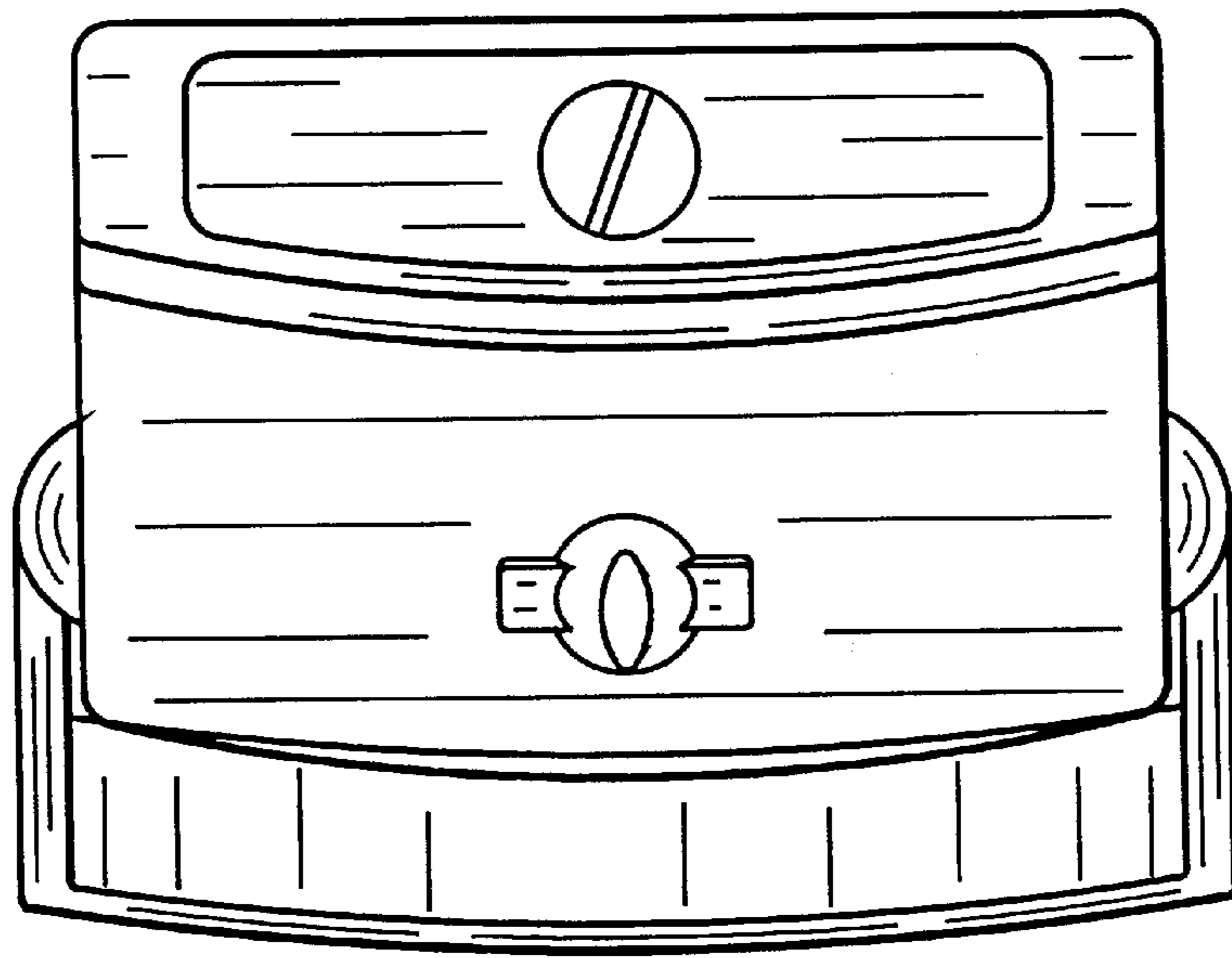


Fig. 13

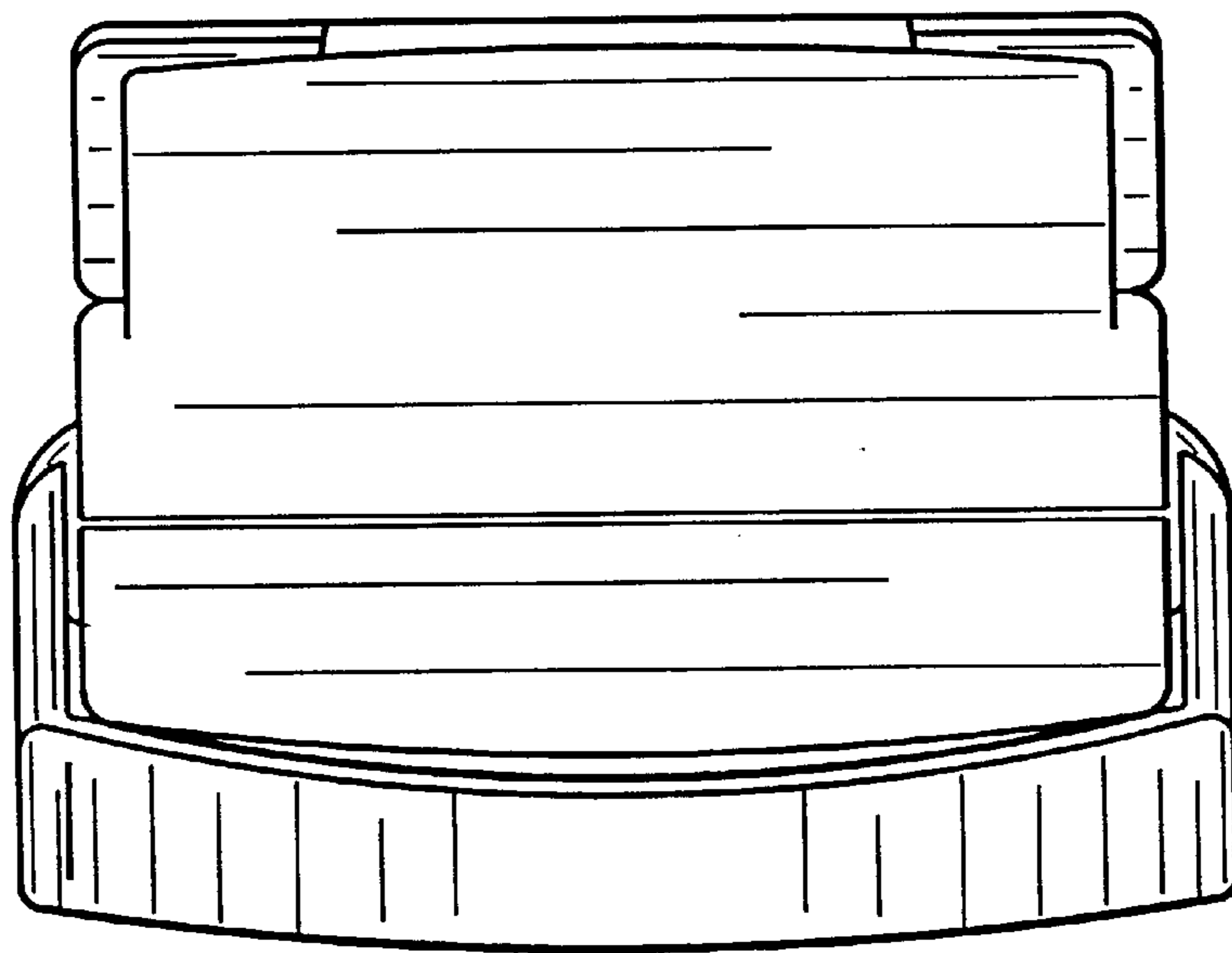


Fig. 14