



US00D448869B1

(12) **United States Design Patent**
Horowitz

(10) **Patent No.:** **US D448,869 S**

(45) **Date of Patent:** **** Oct. 2, 2001**

(54) **REPLACEMENT TAIL LENS ASSEMBLY FOR PICK-UP TRUCKS**

(76) **Inventor:** **Brian A. Horowitz**, 252 Granite St.,
Corona, CA (US) 92879

(**) **Term:** **14 Years**

(21) **Appl. No.:** **29/130,118**

(22) **Filed:** **Sep. 26, 2000**

(51) **LOC (7) Cl.** **26-04**

(52) **U.S. Cl.** **D26/28**

(58) **Field of Search** D26/28-36, 120,
D26/122; 362/61, 80, 81, 82, 83, 83.4,
267, 269, 275

(56) **References Cited**

U.S. PATENT DOCUMENTS

- D. 396,310 * 7/1998 Sacco et al. D26/28
- D. 409,772 * 5/1999 Bangle D26/28
- D. 427,363 * 6/2000 Sacco et al. D26/28
- D. 429,353 * 8/2000 Pfeiffer D26/28

OTHER PUBLICATIONS

Advertisement—Stillen Sports Cars from *Sport Compact Car*,
vol. 13, Nov. 3, Mar., 2001. pp. 58-59. prior to Sep. 26,
2001.

Three (3) photographs depicting rear view of Chevrolet S-10 truck prior to Sep. 26, 2001.

* cited by examiner

Primary Examiner—Marcus A. Jackson

(74) *Attorney, Agent, or Firm*—Knobbe, Martens, Olson & Bear, LLP

(57) **CLAIM**

The ornamental design for a replacement tail lens assembly for pick-up trucks, as shown and described.

DESCRIPTION

FIG. 1 is a right side perspective view of the replacement tail lens assembly of the present design;

FIG. 2 is a right side perspective view of the replacement tail lens assembly of the present design showing the cover of the replacement tail lens removed;

FIG. 3 is a right side view of the replacement tail lens assembly of the present design;

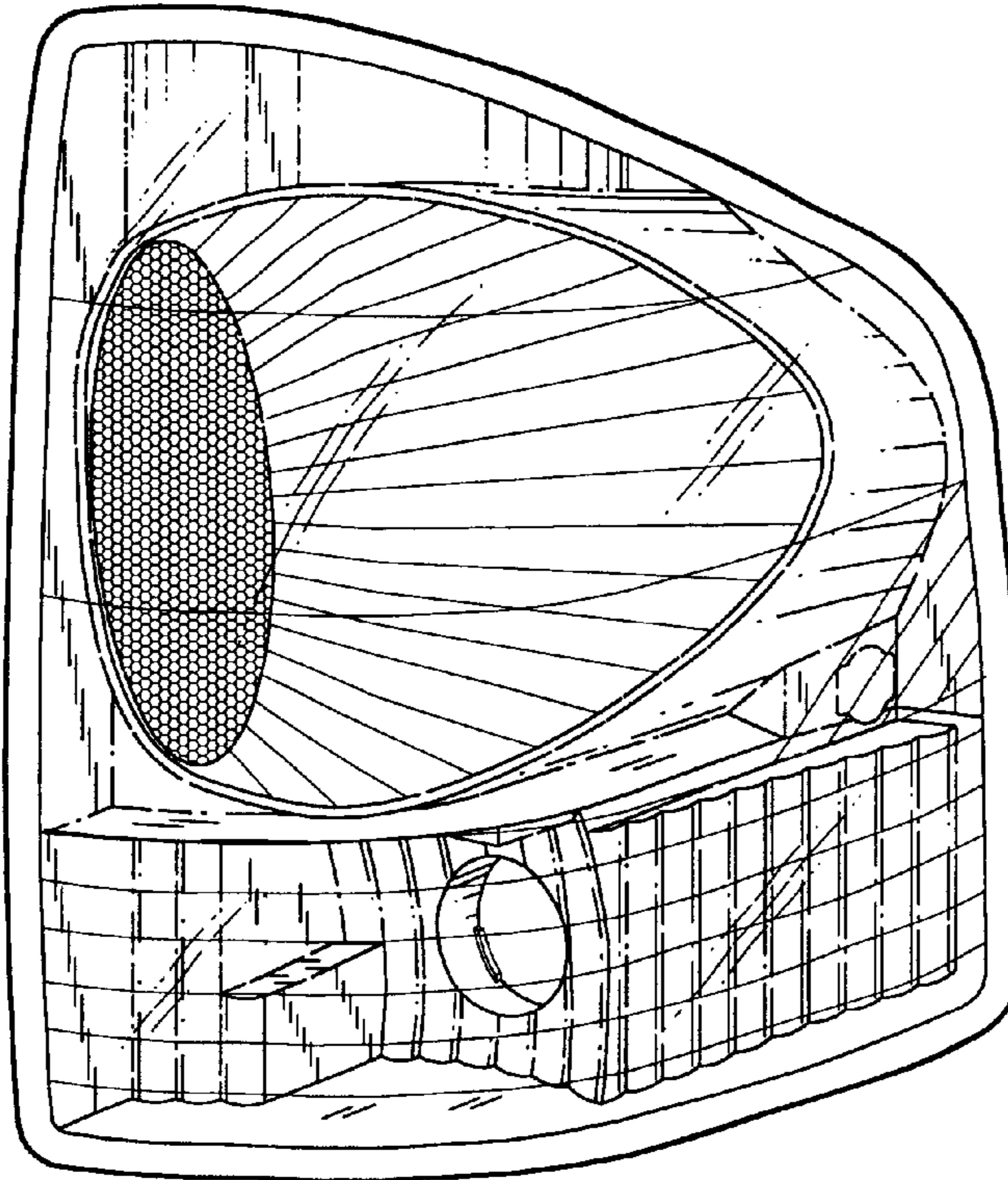
FIG. 4 is a front view of the replacement tail lens assembly of the present design;

FIG. 5 is a top sectional view of the replacement tail lens assembly of the present design; and,

FIG. 6 is a right side perspective view of the replacement tail lens assembly of the present design showing the lens assembly installed on a pick-up truck.

The broken lines showing of the lens assembly in FIG. 5 and of the pick-up truck in FIG. 6 are for illustrative purposes only and form no part of the claimed design.

1 Claim, 4 Drawing Sheets



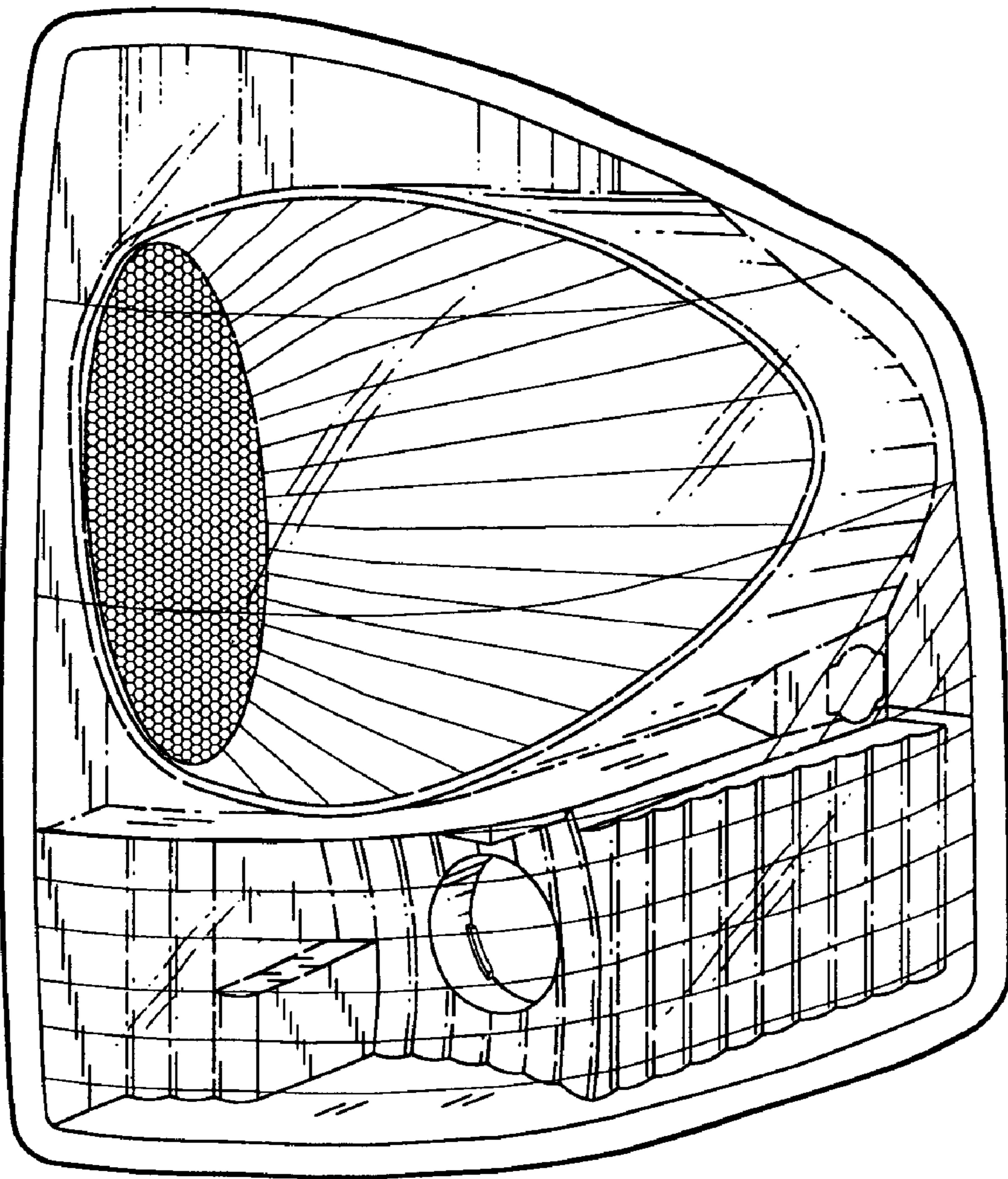


FIG. 1

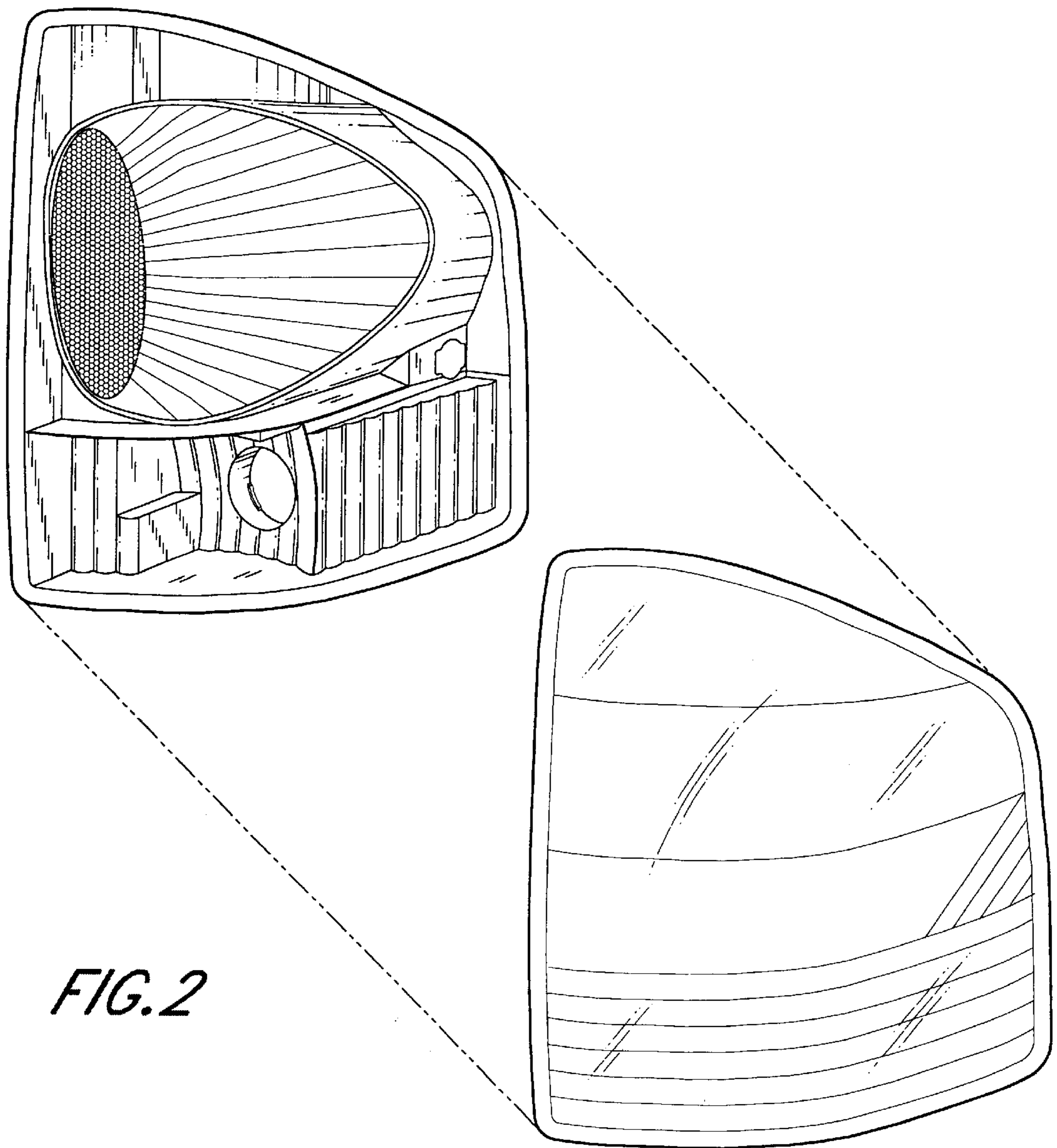


FIG. 2

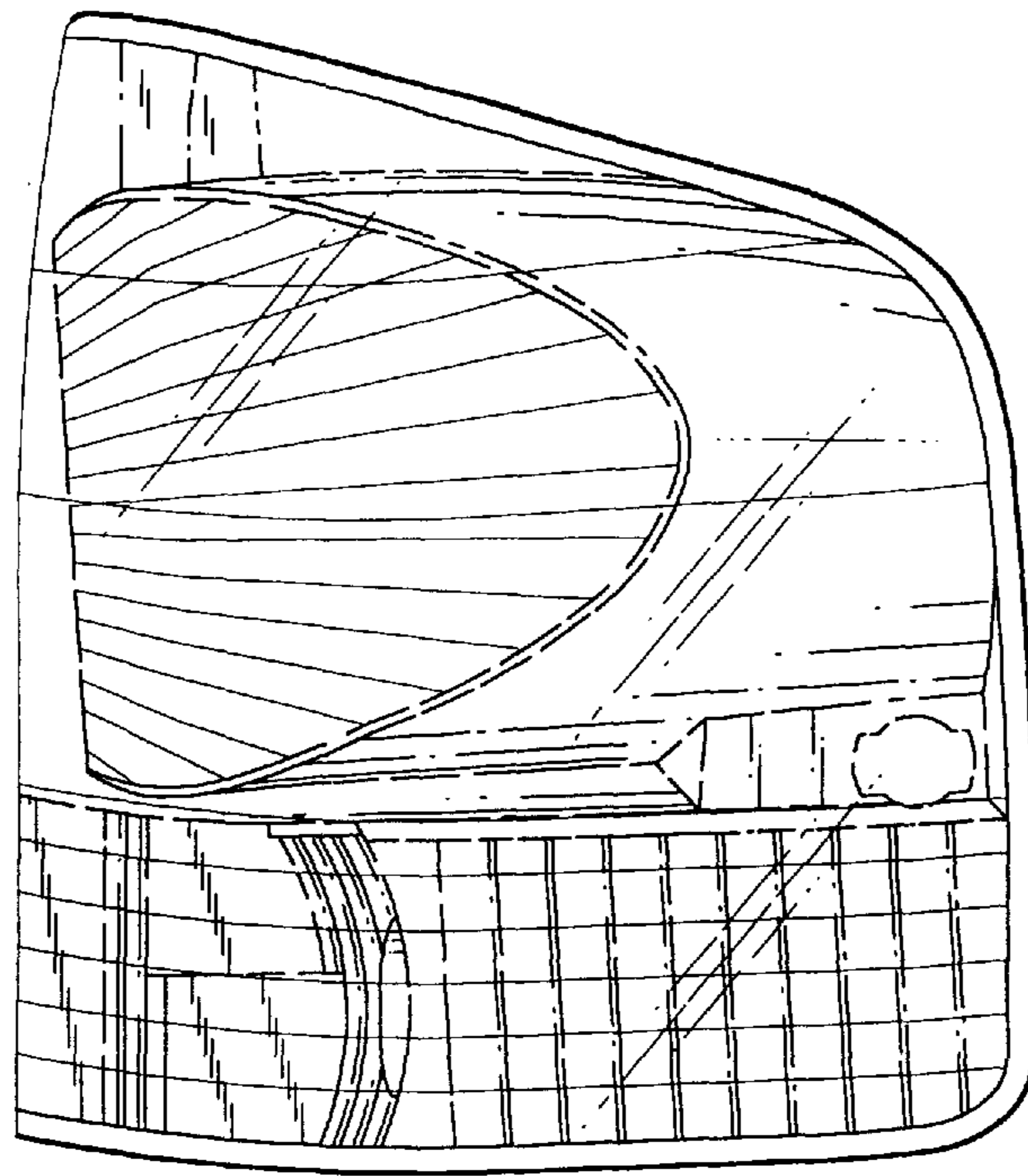


FIG. 3

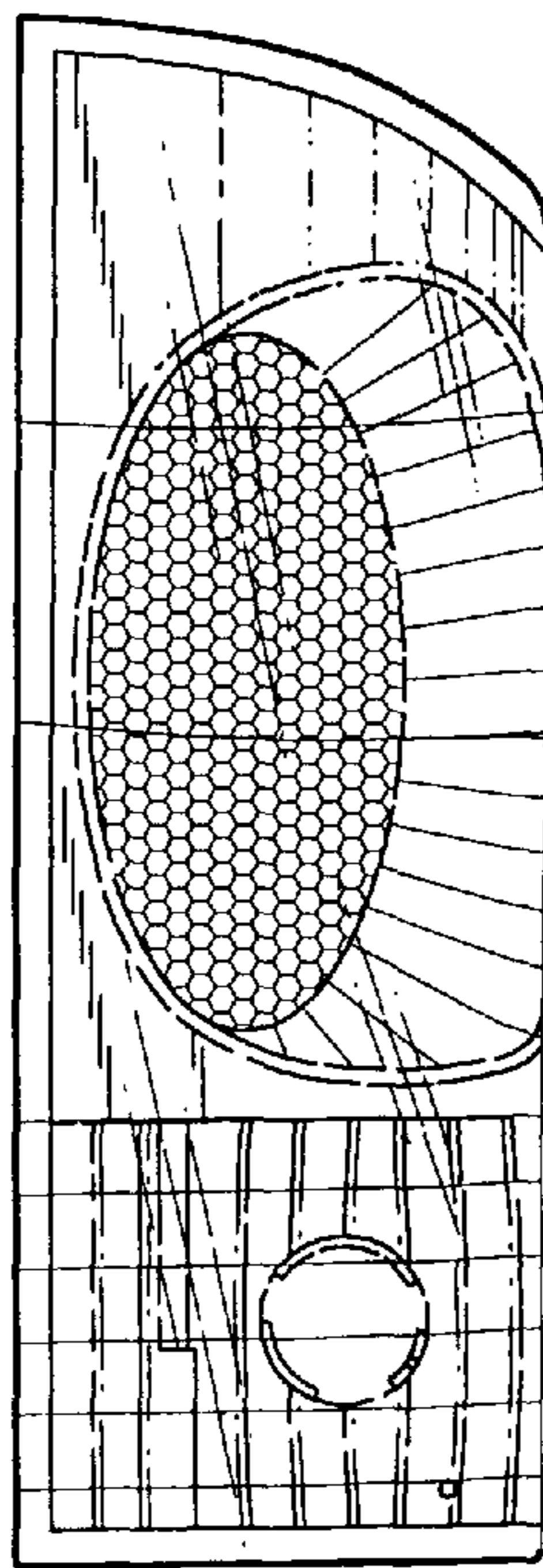


FIG. 4

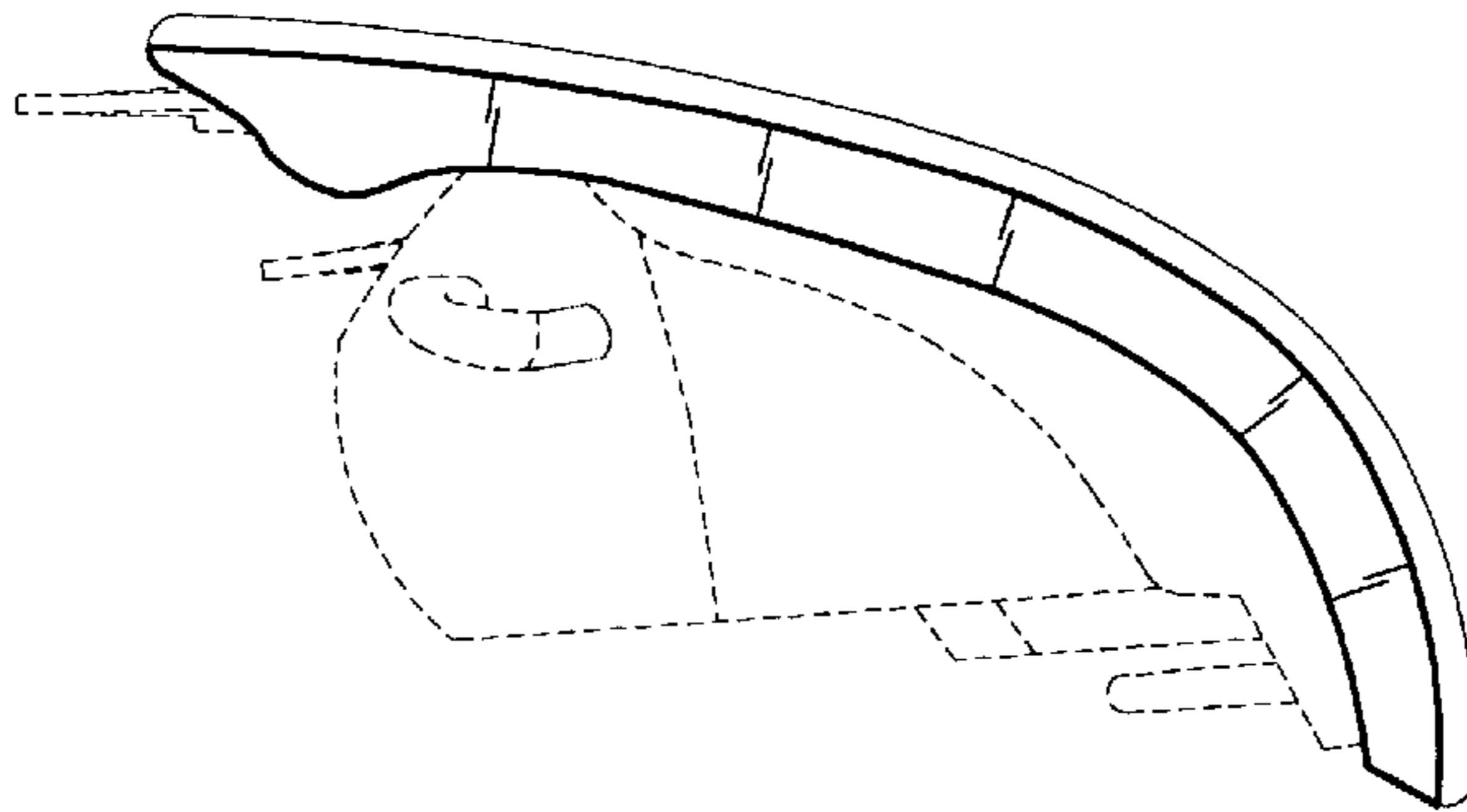


FIG. 5

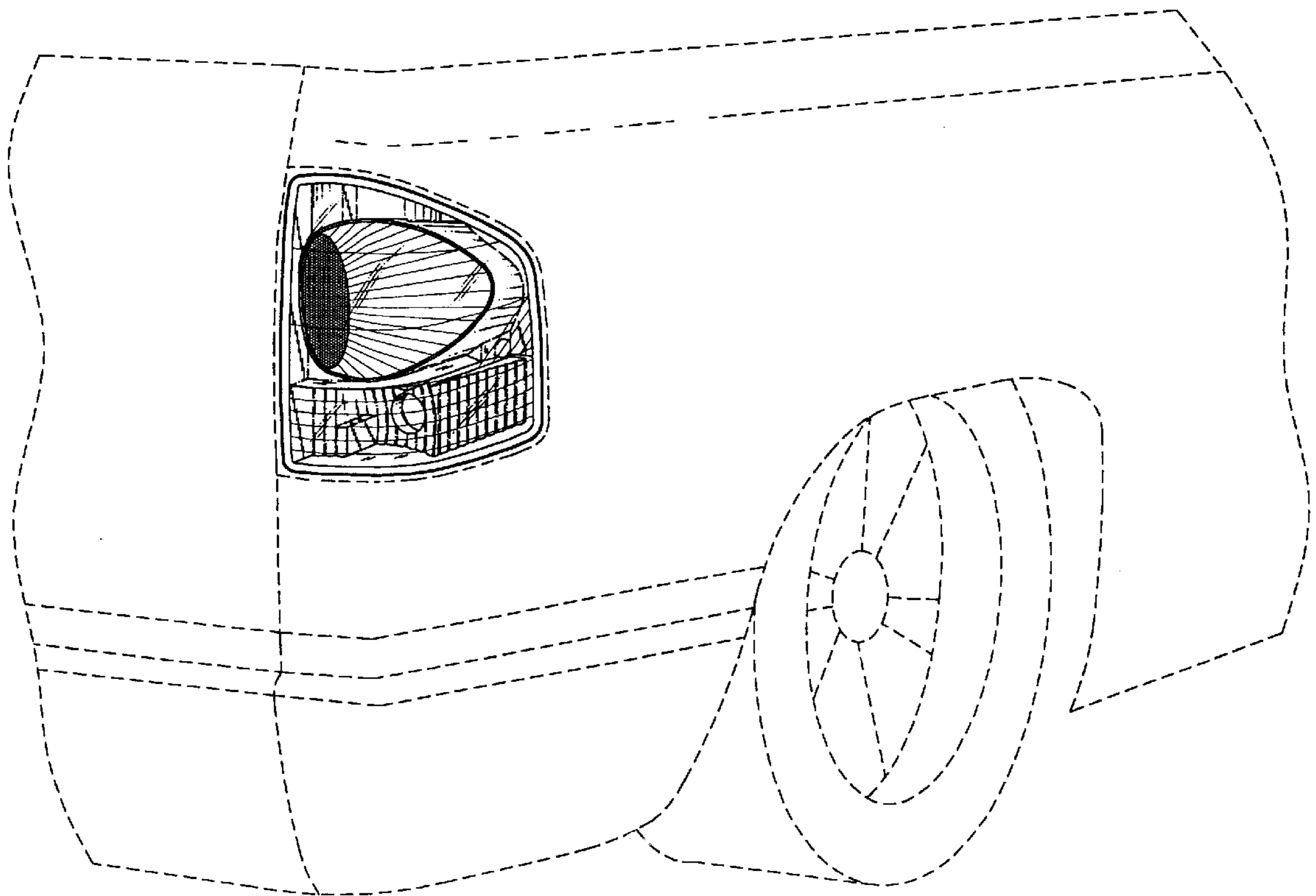


FIG. 6