



US00D448867B1

(12) **United States Design Patent**
Manocheo et al.

(10) **Patent No.:** **US D448,867 S**

(45) **Date of Patent:** **** Oct. 2, 2001**

(54) **CANDLE CARTRIDGE**

D. 415,295 * 10/1999 Kochis et al. D26/9

(76) Inventors: **Andrew R. Manocheo; Scott A. Ternovits**, both of Gravity Tank, Inc.,
2241 S. Wabash, Floor 3, Chicago, IL
(US) 60616

* cited by examiner

Primary Examiner—Robin V. Taylor

(74) *Attorney, Agent, or Firm*—Marshall, Gerstein & Borun

(**) Term: **14 Years**

(57) **CLAIM**

The ornamental design for a candle cartridge, as shown and described.

(21) Appl. No.: **29/131,798**

DESCRIPTION

(22) Filed: **Oct. 27, 2000**

(51) **LOC (7) Cl.** **26-01**

FIG. 1 is a perspective view of a candle cartridge in accordance with the present invention;

(52) **U.S. Cl.** **D26/9; D26/11**

FIG. 2 is a top view;

(58) **Field of Search** D26/9-12; 431/291,
431/292, 295

FIG. 3 is a front-side view, the right-side, left-side and back-side views being identical;

FIG. 4 is a bottom view;

(56) **References Cited**

FIG. 5 is a cross-sectional view through lines 5—5 of FIG. 2; and,

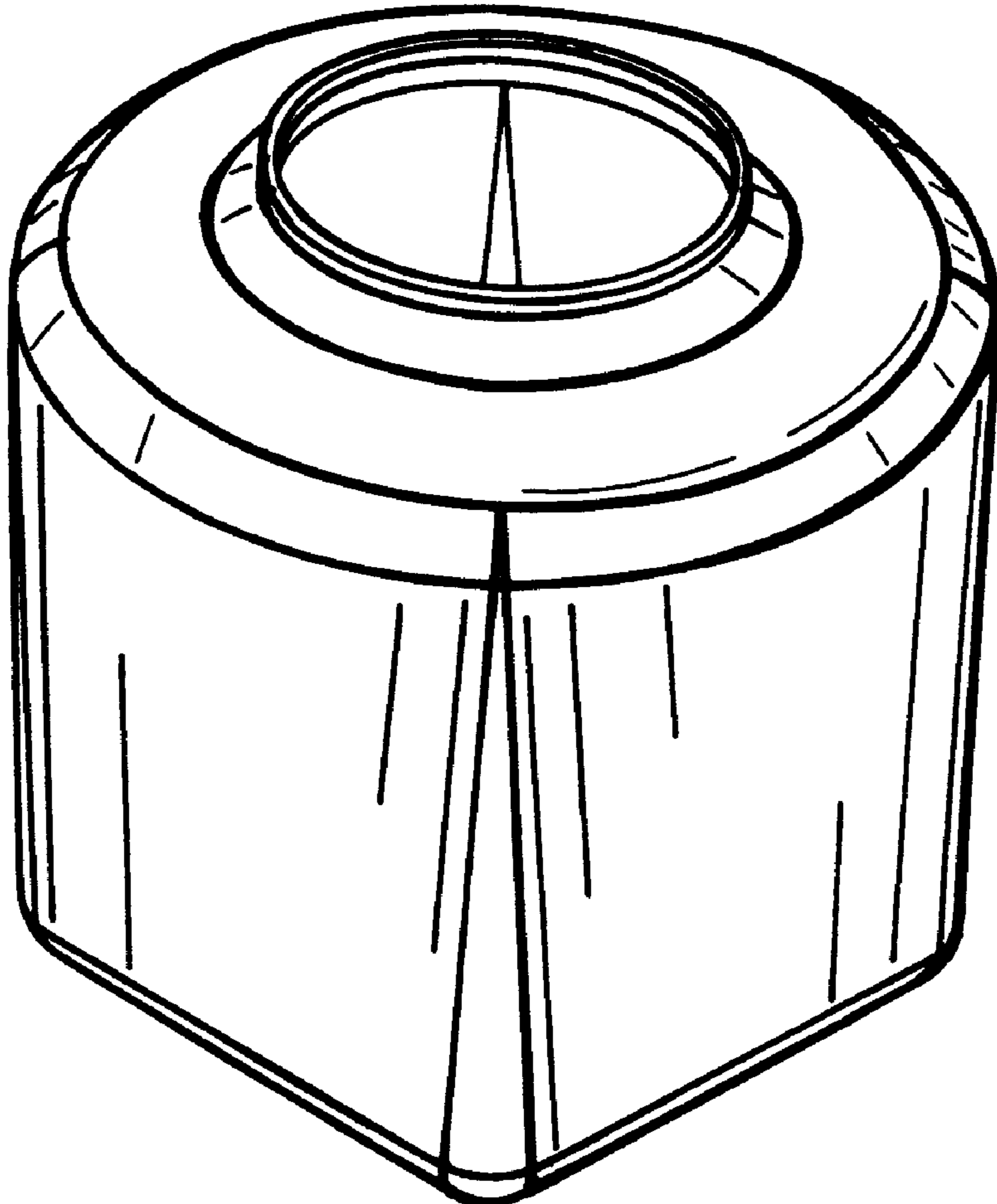
U.S. PATENT DOCUMENTS

FIG. 6 is an angled-side view.

D. 371,212 * 6/1996 Hardy et al. D26/9

D. 414,570 * 9/1999 Shin et al. D26/9

1 Claim, 2 Drawing Sheets



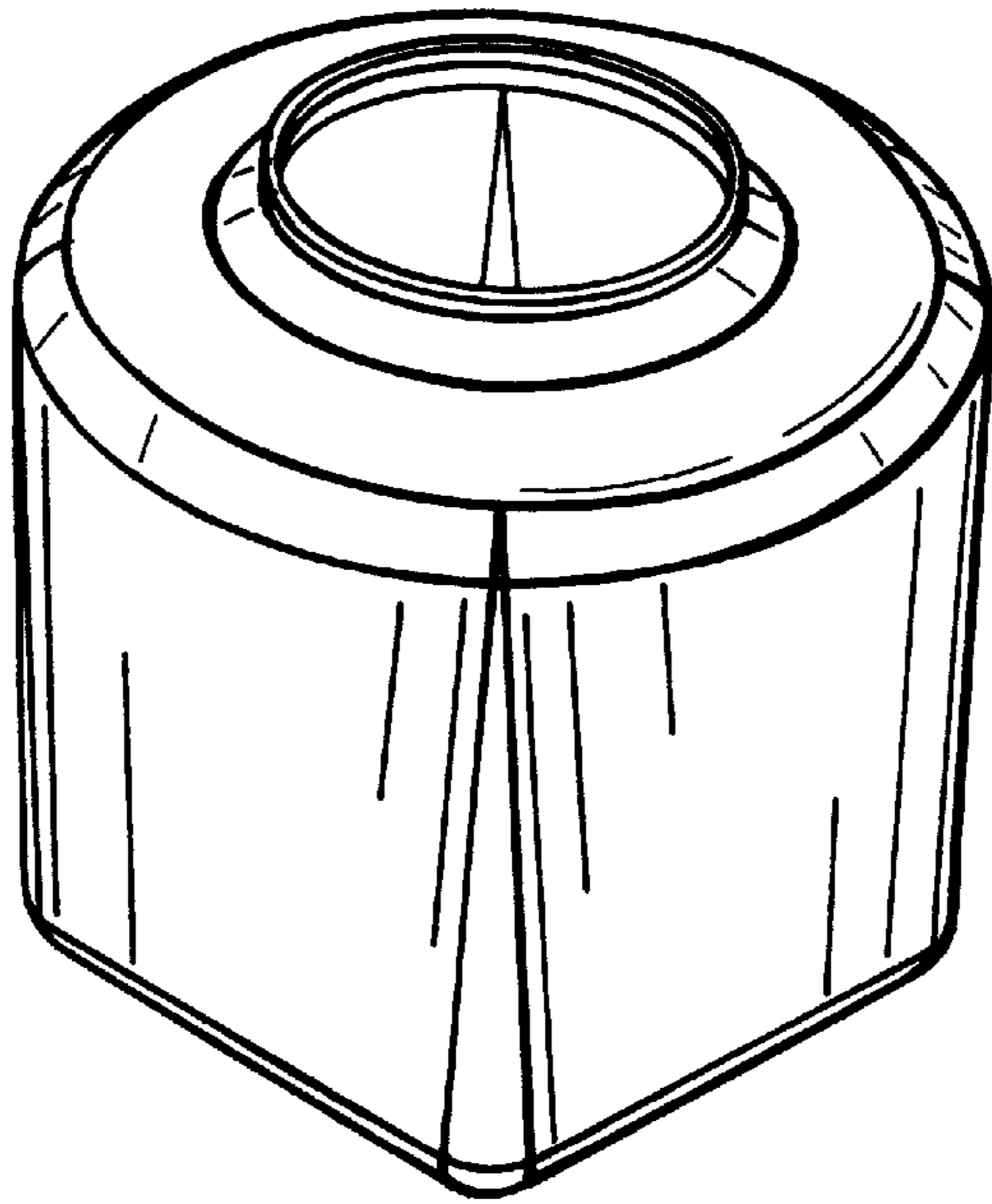


FIG. 1

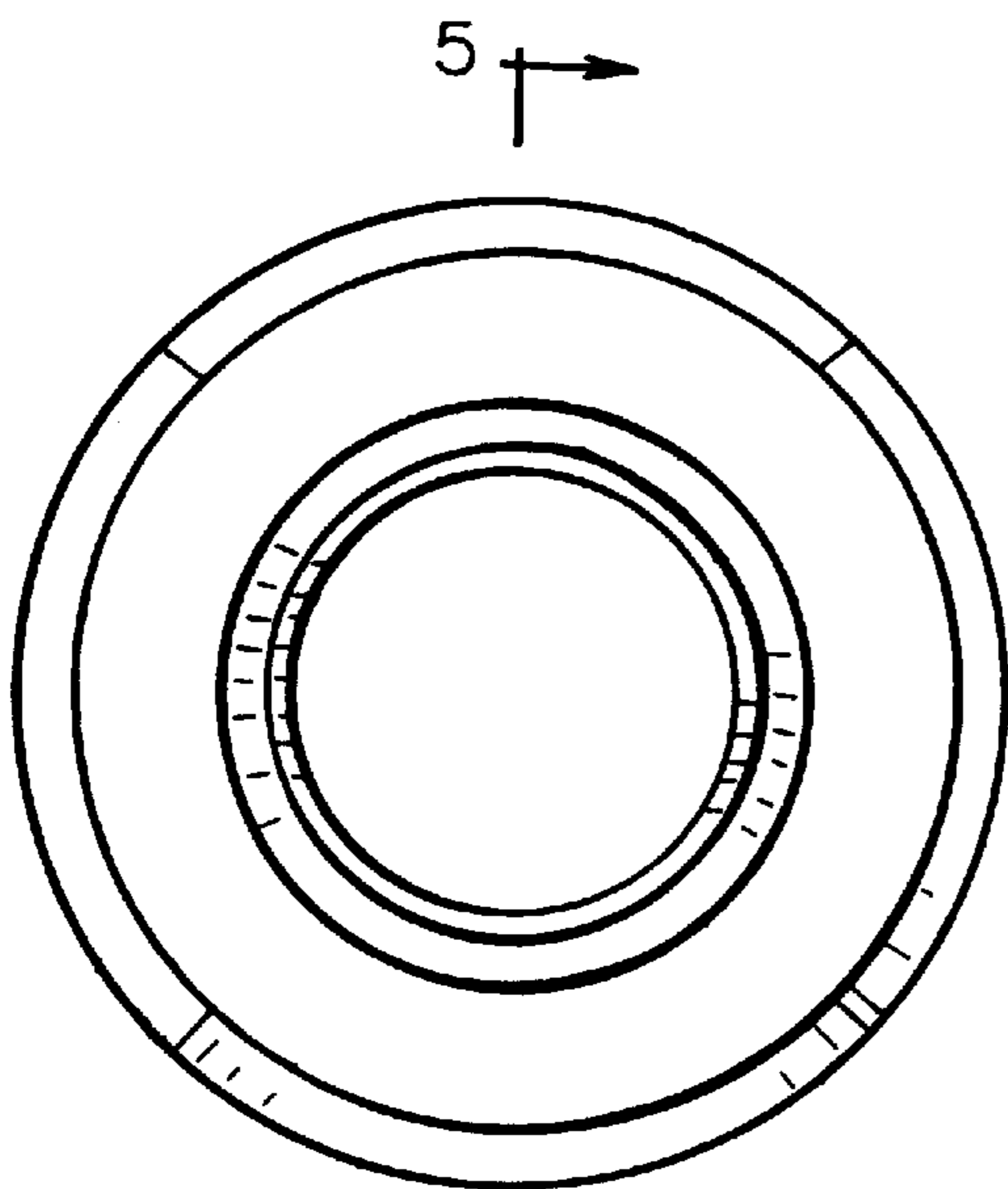


FIG. 2

FIG. 3

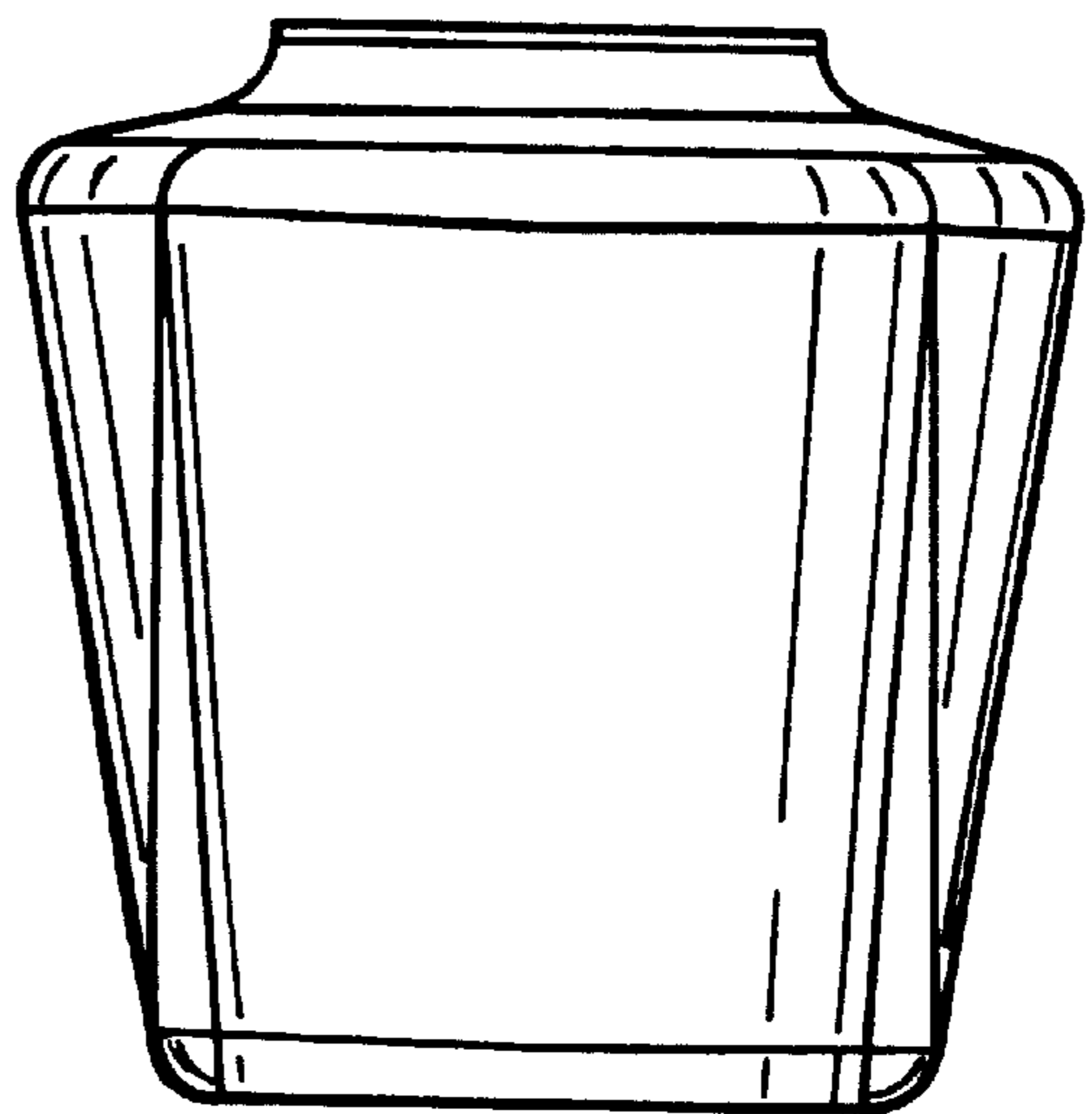


FIG. 4

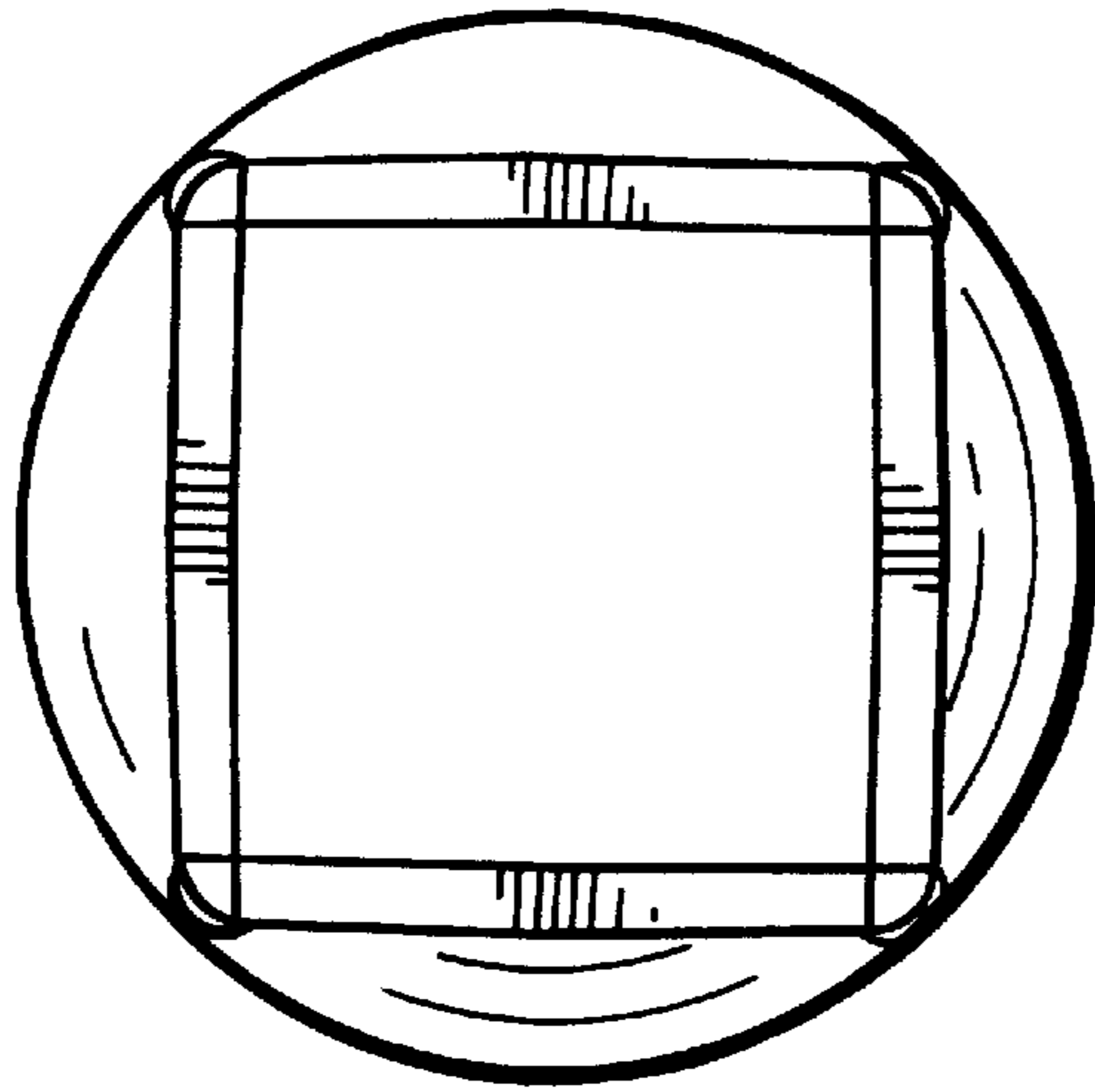


FIG. 5

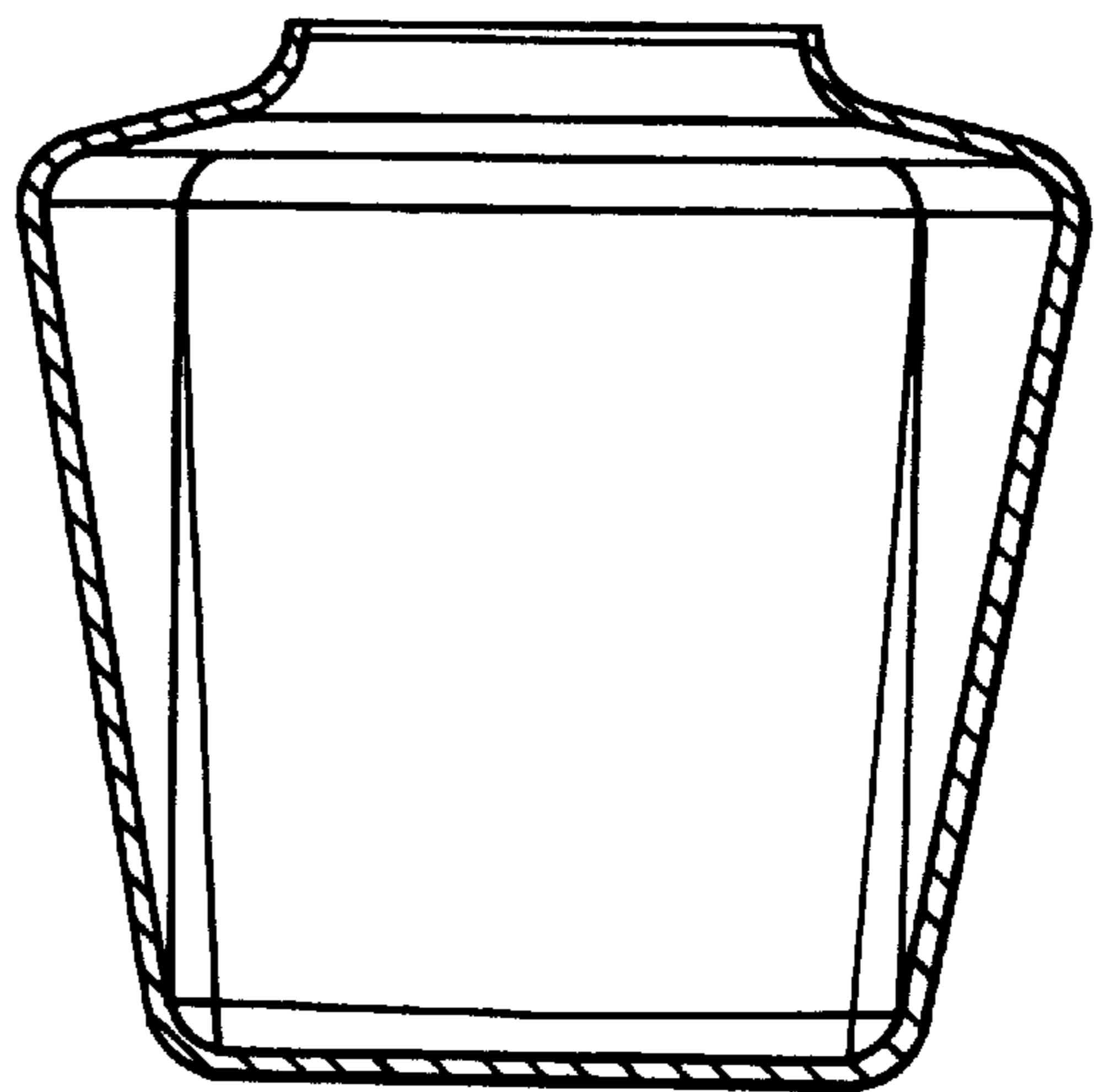


FIG. 6

