



US00D448864B1

(12) **United States Design Patent**  
**Marshall**

(10) **Patent No.:** **US D448,864 S**

(45) **Date of Patent:** **\*\* Oct. 2, 2001**

(54) **WINDOW COMPONENT EXTRUSION**

(75) **Inventor:** **Philip Marshall, Pittsburgh, PA (US)**

(73) **Assignee:** **Chelsea Building Products, Inc.,  
Oakmont, PA (US)**

(\*\*) **Term:** **14 Years**

(21) **Appl. No.:** **29/131,141**

(22) **Filed:** **Oct. 13, 2000**

(51) **LOC (7) Cl.** ..... **25-01**

(52) **U.S. Cl.** ..... **D25/124**

(58) **Field of Search** ..... D25/124, 125,  
D25/52, 60; 49/504, 505, DIG. 2; 52/204.5,  
204.56, 204.51, 730.3, 204.1

(56) **References Cited**

**U.S. PATENT DOCUMENTS**

D. 333,876	3/1993	Cole .	
D. 333,877	3/1993	Cole .	
D. 342,796	12/1993	Cole .	
D. 342,797	12/1993	Cole .	
D. 343,463	1/1994	Cole .	
D. 345,019	3/1994	Cole .	
D. 351,666	10/1994	Cole .	
D. 354,573	1/1995	Hosseini .	
D. 366,320	1/1996	Hosseini .	
D. 384,170	9/1997	Franson .	
D. 388,188	12/1997	Goss .	
D. 388,521	12/1997	Porter et al. .	
D. 388,890	1/1998	Lockbeam .	
D. 392,395	3/1998	Porter et al. .	
D. 394,117	5/1998	Goss .	
D. 394,119 *	5/1998	Jarrell .....	D25/124
D. 394,120	5/1998	Goss .	
D. 401,359	11/1998	Porter et al. .	
D. 406,653	3/1999	Morton et al. .	
D. 406,654	3/1999	Morton et al. .	

D. 406,655	3/1999	Morton et al. .	
D. 406,656	3/1999	Stammen .	
D. 406,657	3/1999	Morton et al. .	
D. 406,658	3/1999	Chaney et al. .	
D. 406,659	3/1999	Chaney et al. .	
D. 406,660	3/1999	Morton et al. .	
D. 406,661	3/1999	Morton et al. .	
D. 406,662	3/1999	Morton et al. .	
D. 406,663	3/1999	Morton et al. .	
D. 407,505 *	3/1999	Hersh et al. ....	D25/124
D. 417,510	12/1999	Tyra .	
D. 417,511	12/1999	Tyra .	
D. 418,925	1/2000	Franson .	
D. 420,151	2/2000	Franson .	
D. 424,712	5/2000	Siudzinski .	
4,831,781	5/1989	Morton .	
4,941,288	7/1990	Morton .	
5,136,814	8/1992	Headrick .	
5,273,258	12/1993	Bedics .	
5,426,894	6/1995	Headrick .	
5,524,391	6/1996	Joffe et al. .	
6,055,782	5/2000	Morton et al. .	

\* cited by examiner

*Primary Examiner*—Doris Clark

(74) *Attorney, Agent, or Firm*—Buchanan Ingersoll, P.C.

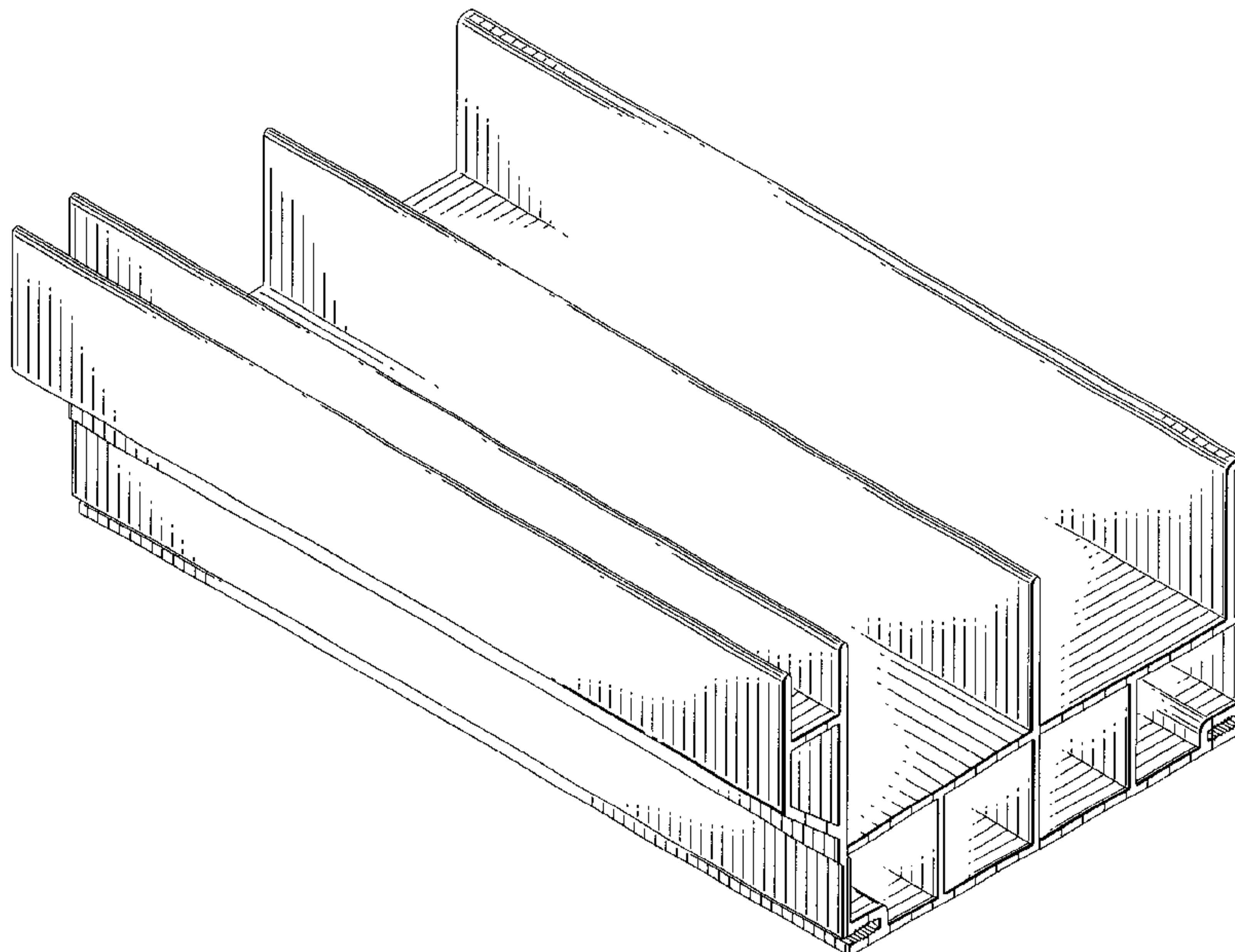
(57) **CLAIM**

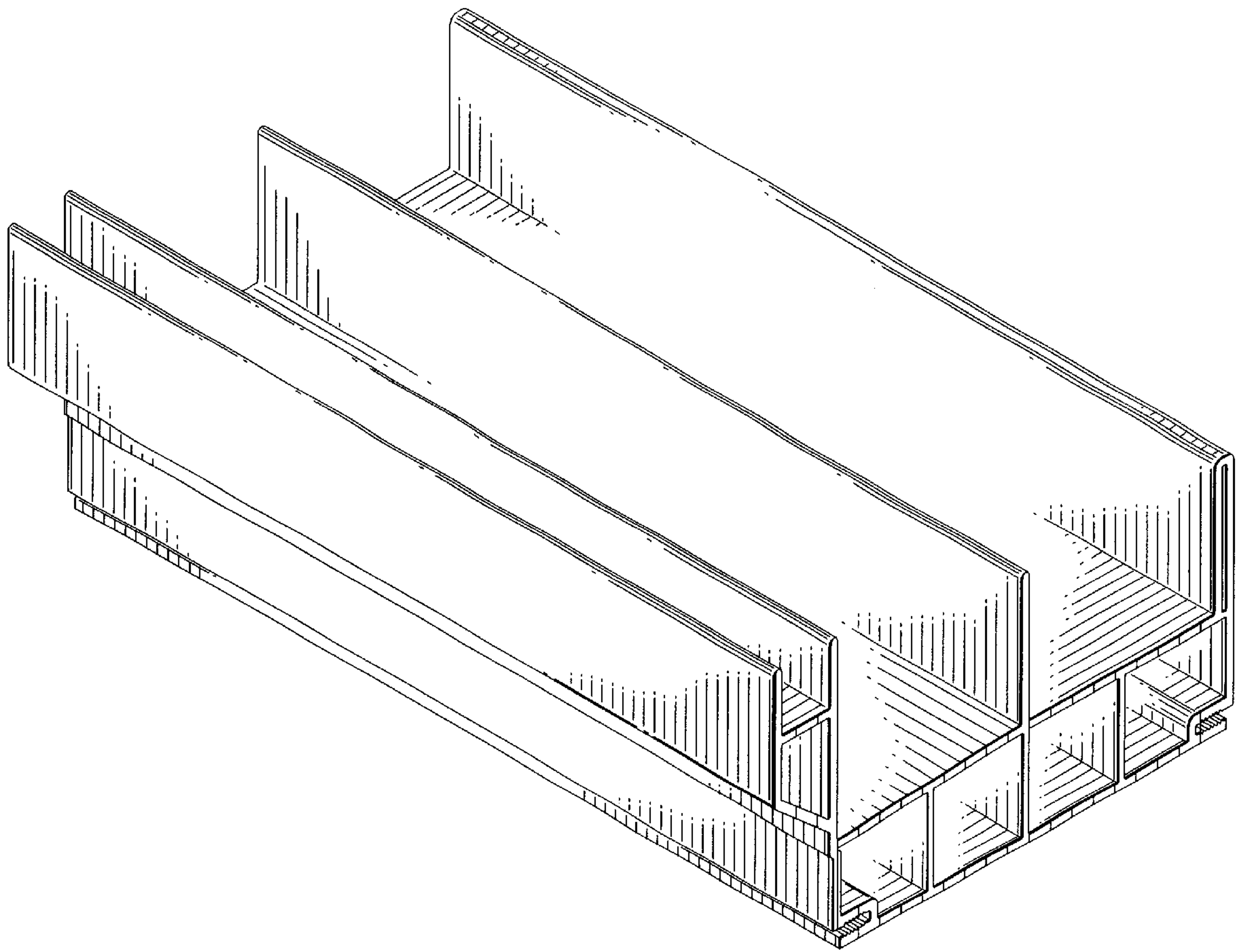
The ornamental design for a window component extrusion, as shown and described.

**DESCRIPTION**

FIG. 1 is a perspective view of a window component extrusion showing my new design; FIG. 2 is a front elevational view thereof; FIG. 3 is a rear elevational view thereof; FIG. 4 is a right side elevational view thereof; FIG. 5 is a top plan view thereof; and, FIG. 6 is a bottom plan view thereof.

**1 Claim, 3 Drawing Sheets**





*FIG. 1*

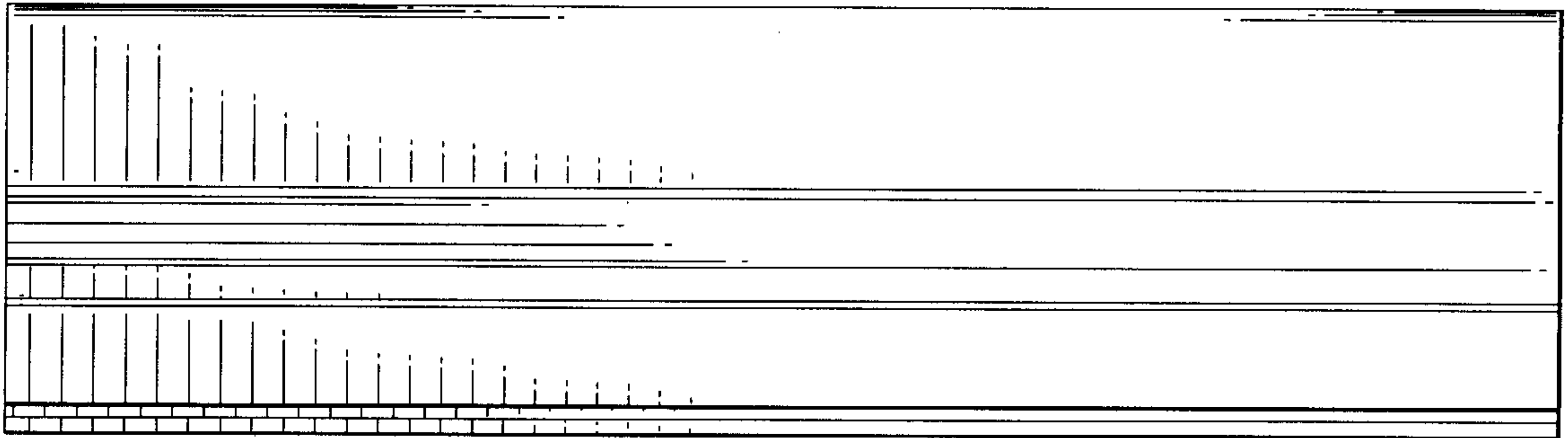


FIG. 2

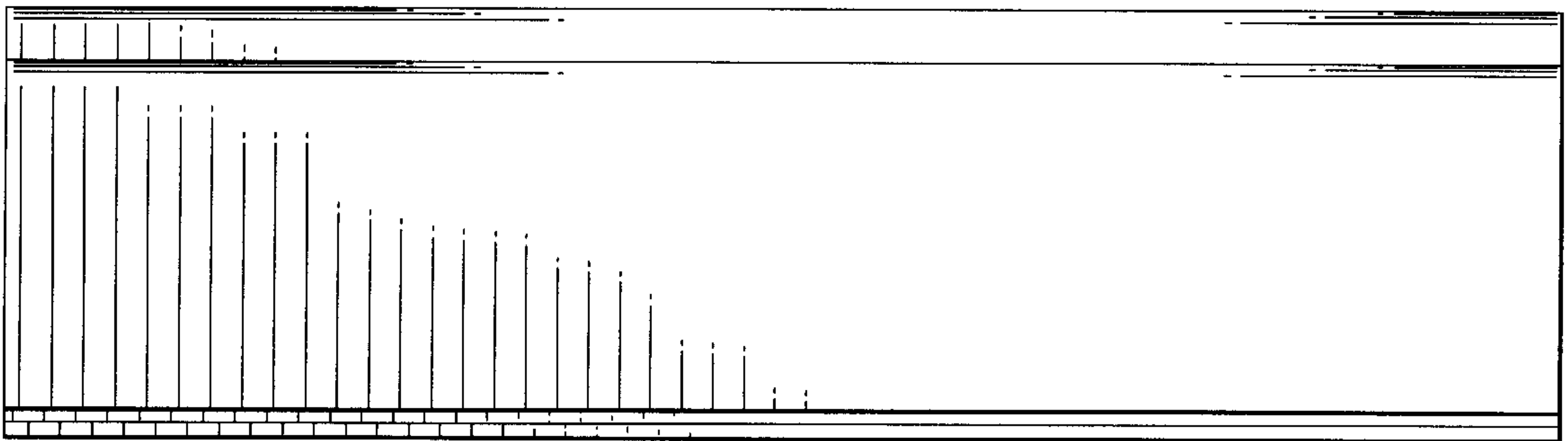


FIG. 3

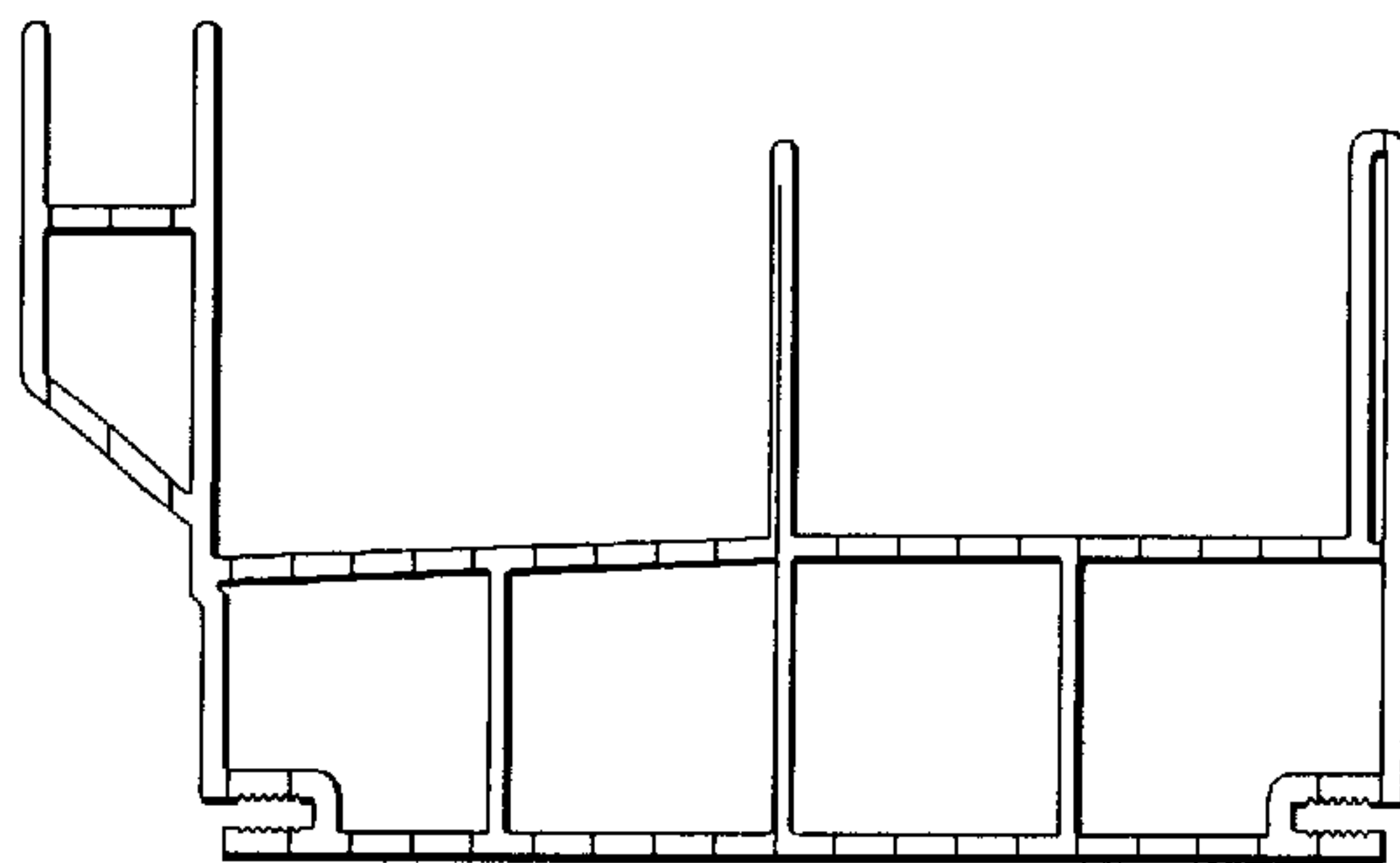


FIG. 4

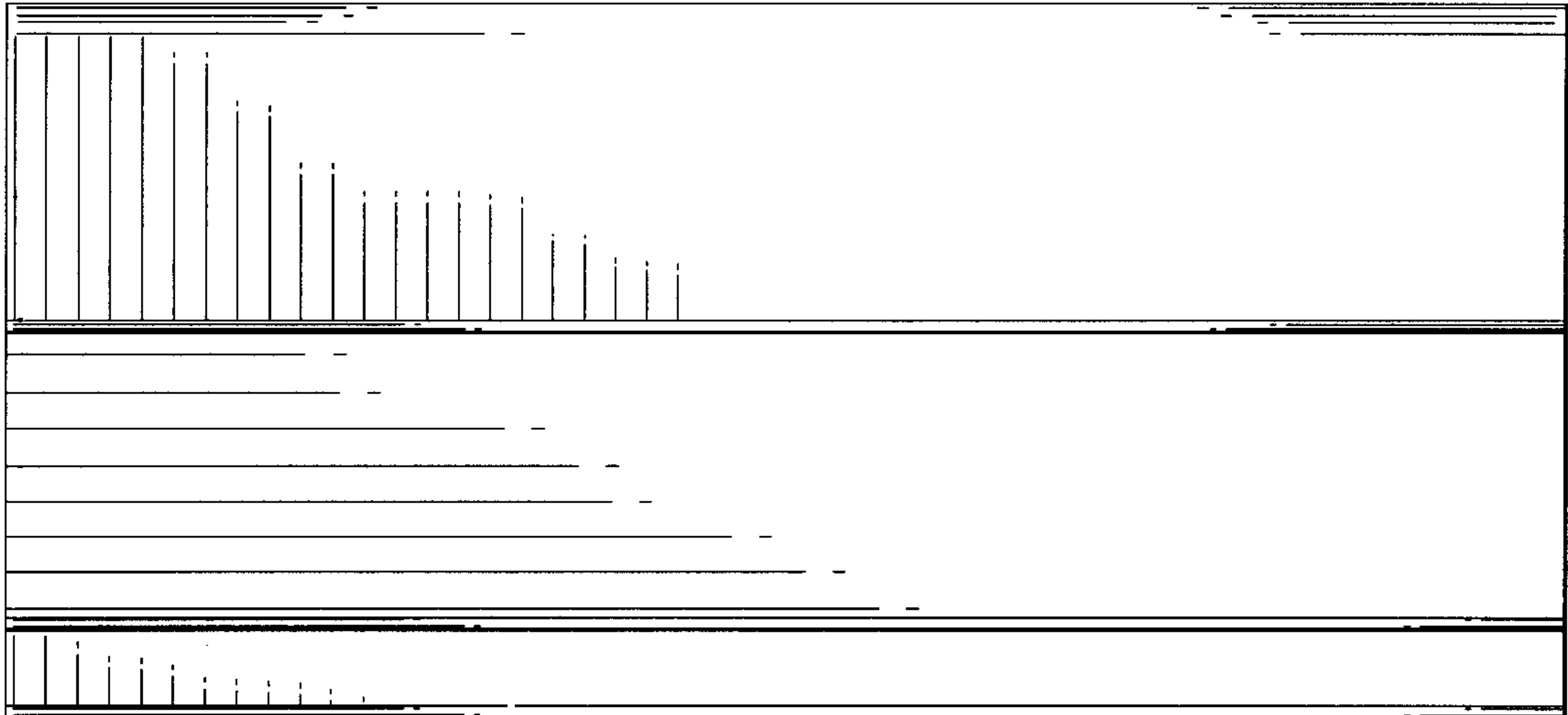


FIG. 5

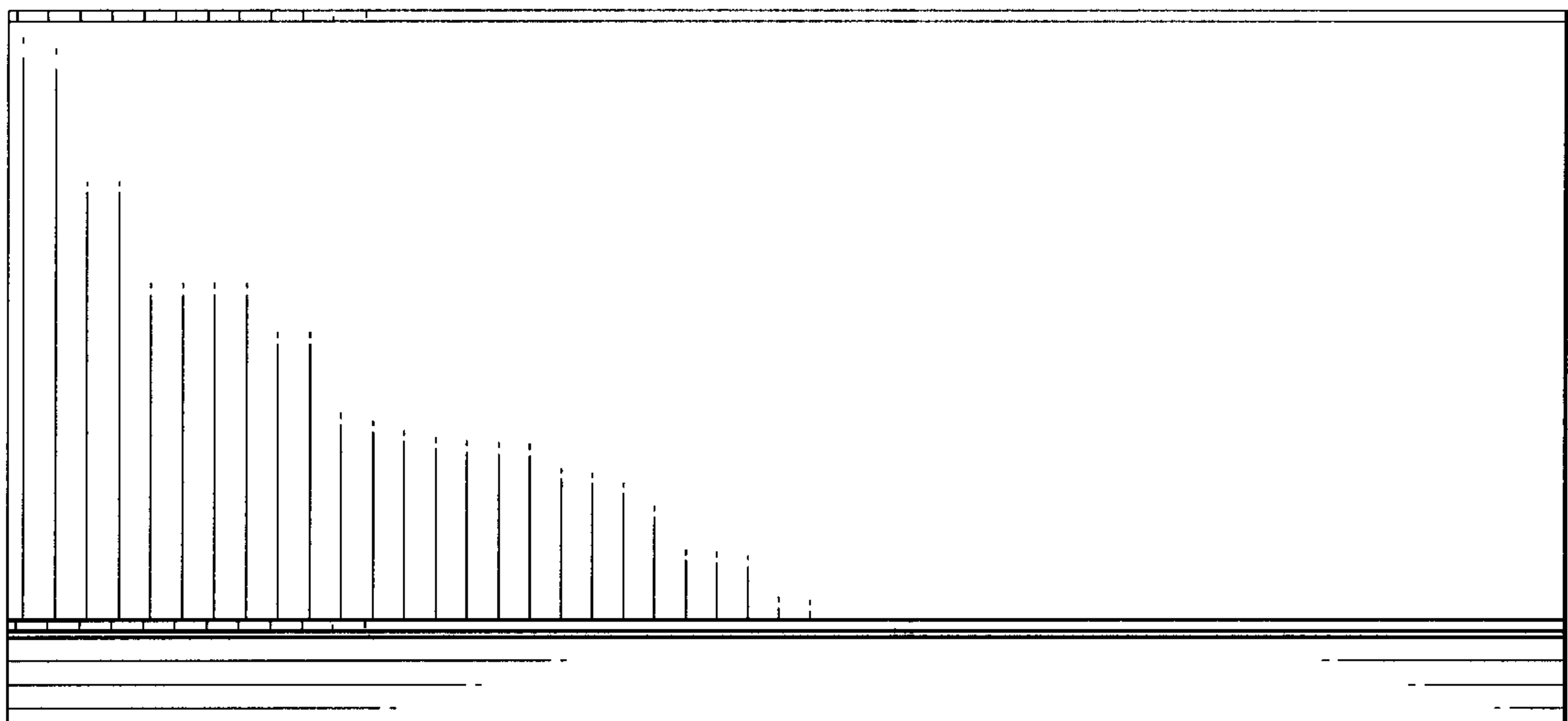


FIG. 6