



US00D448862B1

(12) **United States Design Patent**
Kieffer

(10) **Patent No.:** **US D448,862 S**

(45) **Date of Patent:** **** Oct. 2, 2001**

(54) **SEMI-OCTOPOST EXTRUSION**
(75) Inventor: **Stephen George Kieffer**, Washington
Island, WI (US)
(73) Assignee: **Kieffer & Co., Inc.**, Sheboygan, WI
(US)
(**) Term: **14 Years**

4,825,890 5/1989 Castlebury .
4,941,500 7/1990 Emard .
5,053,931 10/1991 Rushing .
5,144,780 9/1992 Gieling et al. .
5,185,972 2/1993 Markiewicz .
5,438,717 8/1995 Wells .
5,490,532 2/1996 Mallokis et al. .
5,584,564 12/1996 Phyle .

FOREIGN PATENT DOCUMENTS

(21) Appl. No.: **29/113,105**
(22) Filed: **Nov. 1, 1999**

1303185 7/1961 (FR) .
665244 1/1952 (GB) .

* cited by examiner

(51) **LOC (7) Cl.** **25-01**
(52) **U.S. Cl.** **D25/121**
(58) **Field of Search** 135/127, 114,
135/120.3, 121; 52/730.4, 731.2, 732.1,
732.2; D25/121, 122, 126, 61

Primary Examiner—Doris Clark
(74) *Attorney, Agent, or Firm*—Oblon, Spivak, McClelland,
Maier & Neustadt, P.C.

(57) **CLAIM**

(56) **References Cited**

The ornamental design for semi-octopost extrusion, as
shown and described.

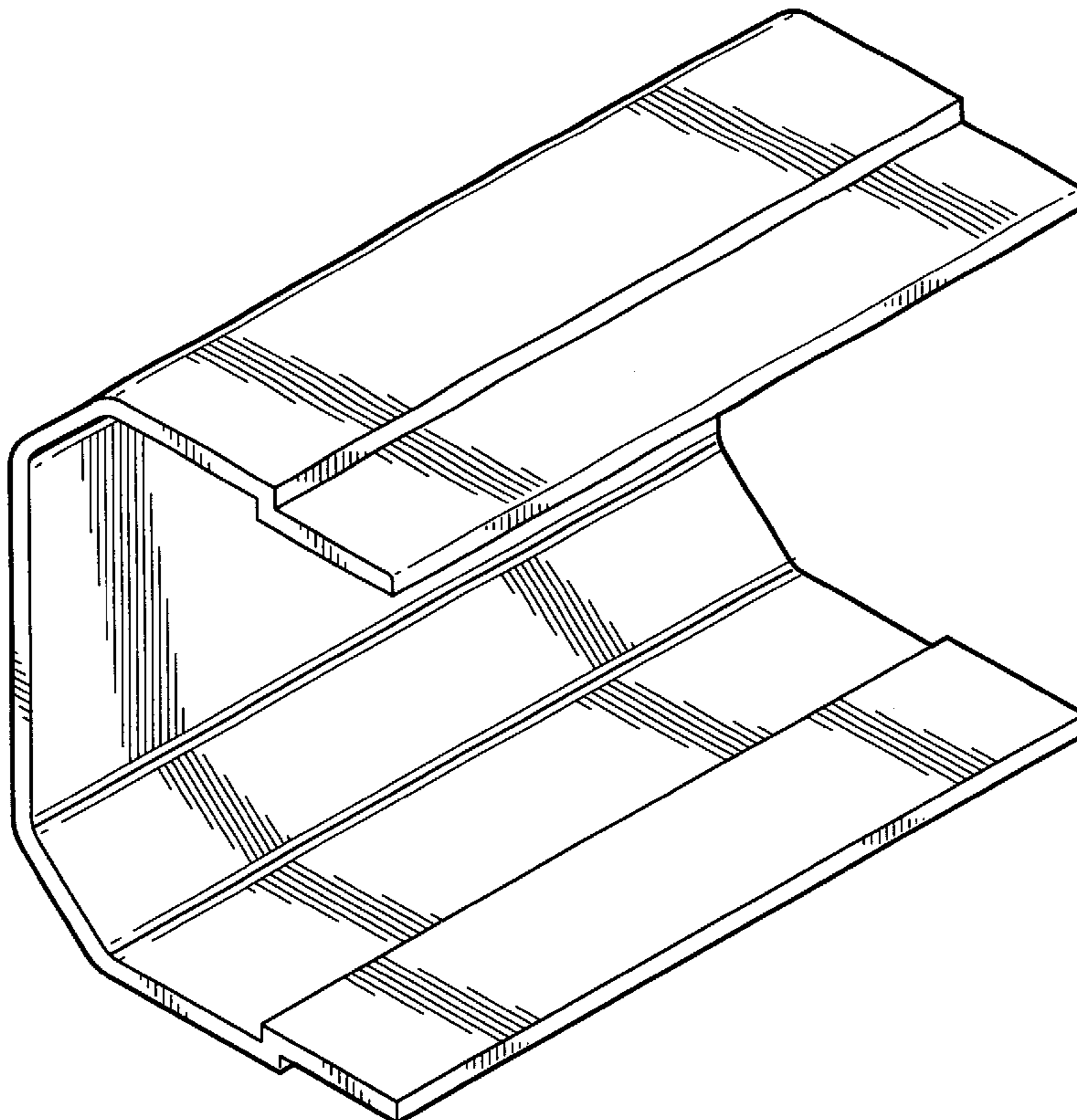
U.S. PATENT DOCUMENTS

DESCRIPTION

D. 200,702 * 3/1965 Huret D25/121
223,468 1/1880 Benthall .
928,495 7/1909 Busenbark .
1,563,736 12/1925 Fink .
1,593,431 7/1926 Buie .
2,333,915 11/1943 Budd .
2,618,285 11/1952 Heisig .
2,845,078 7/1958 Singleton .
3,383,127 5/1968 Grunfeld .
4,408,260 10/1983 Miedel .
4,508,126 * 4/1985 Everard 135/114

FIG. 1 is a top, left front perspective view of semi-octopost
extrusion showing my new design;
FIG. 2 is a front elevational view thereof;
FIG. 3 is a top plan view thereof;
FIG. 4 is a bottom plan view thereof;
FIG. 5 is a right side view thereof; and,
FIG. 6 is a left side elevational view thereof.

1 Claim, 3 Drawing Sheets



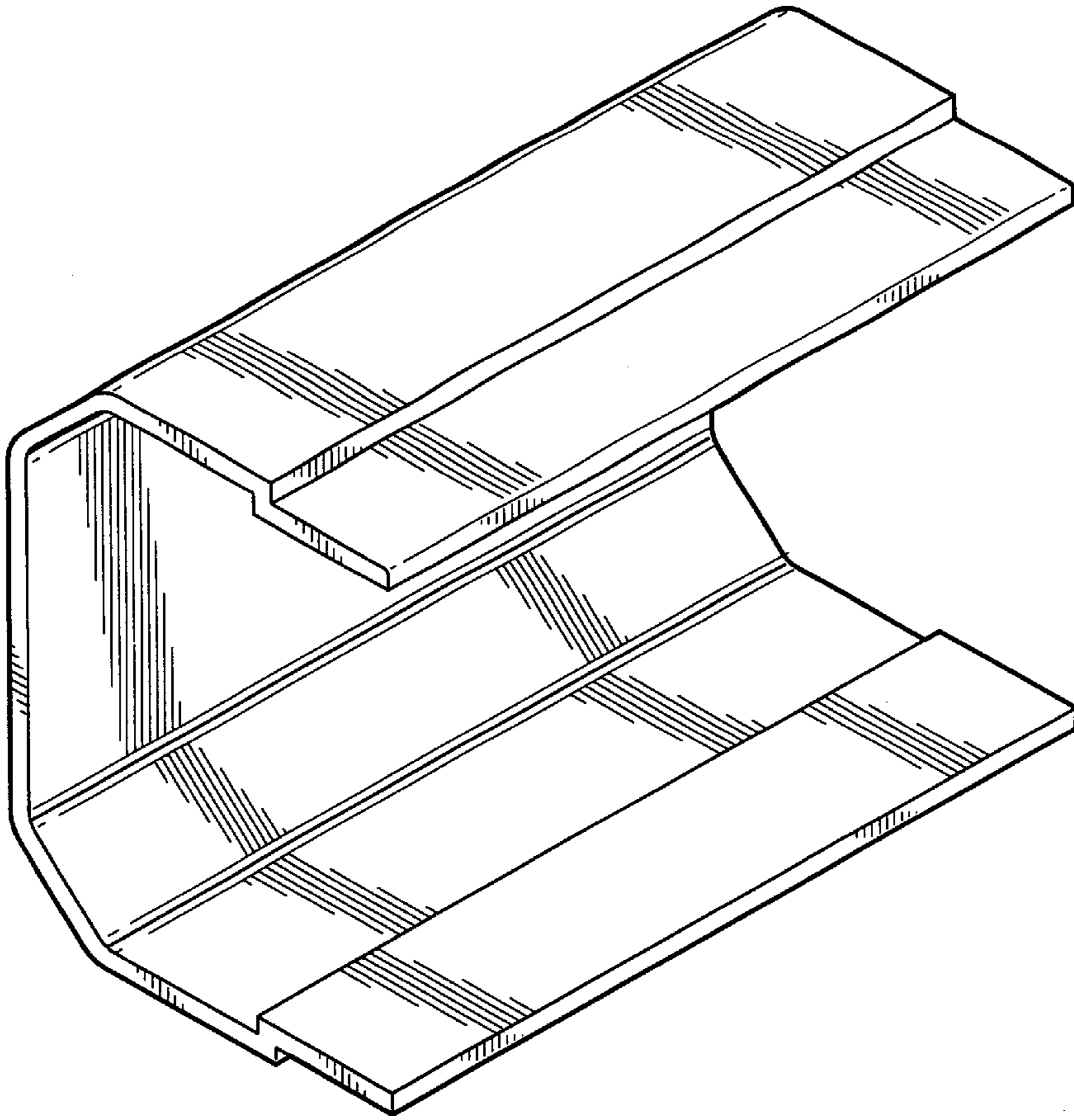


FIG. 1

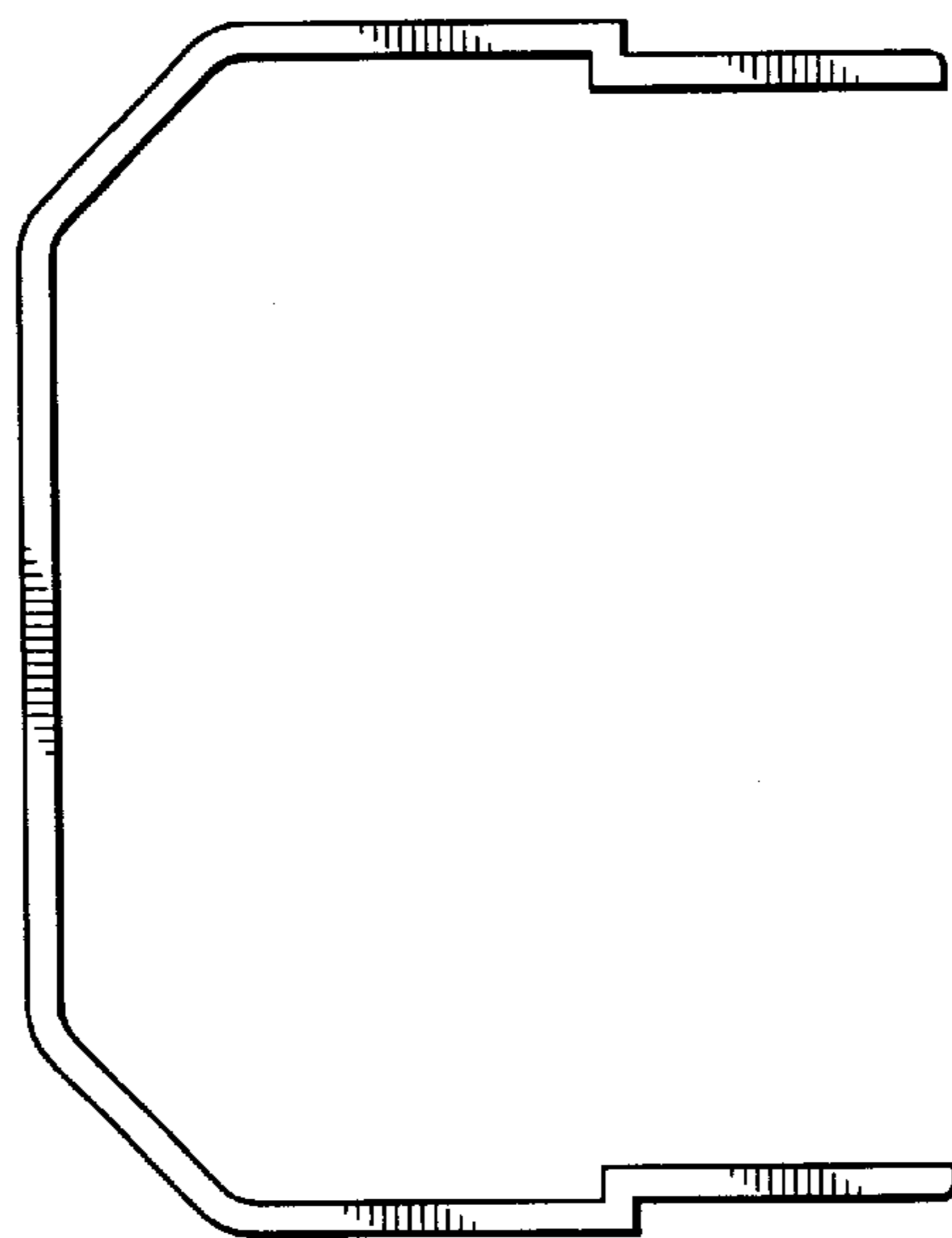


FIG. 2

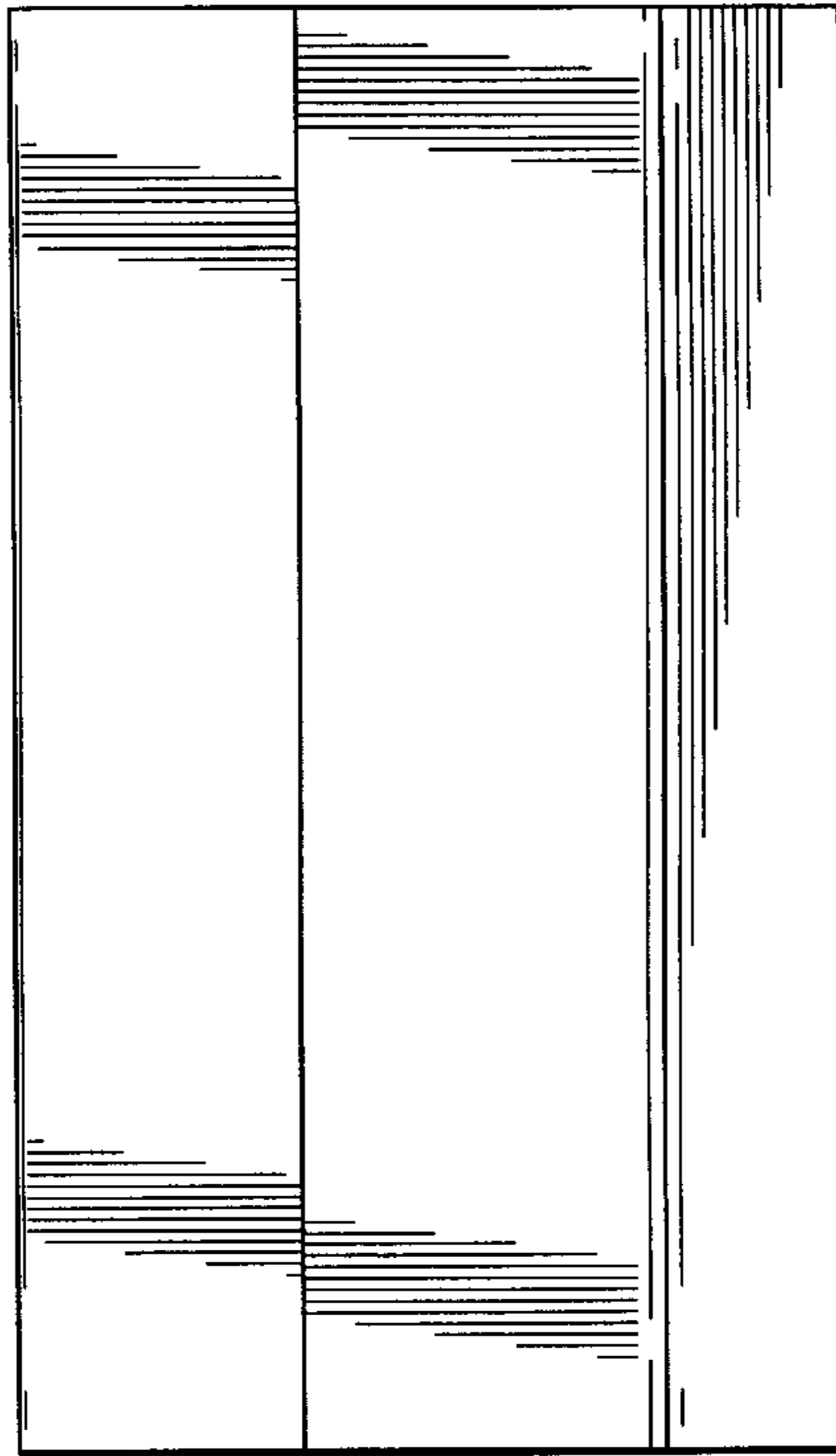


FIG. 3

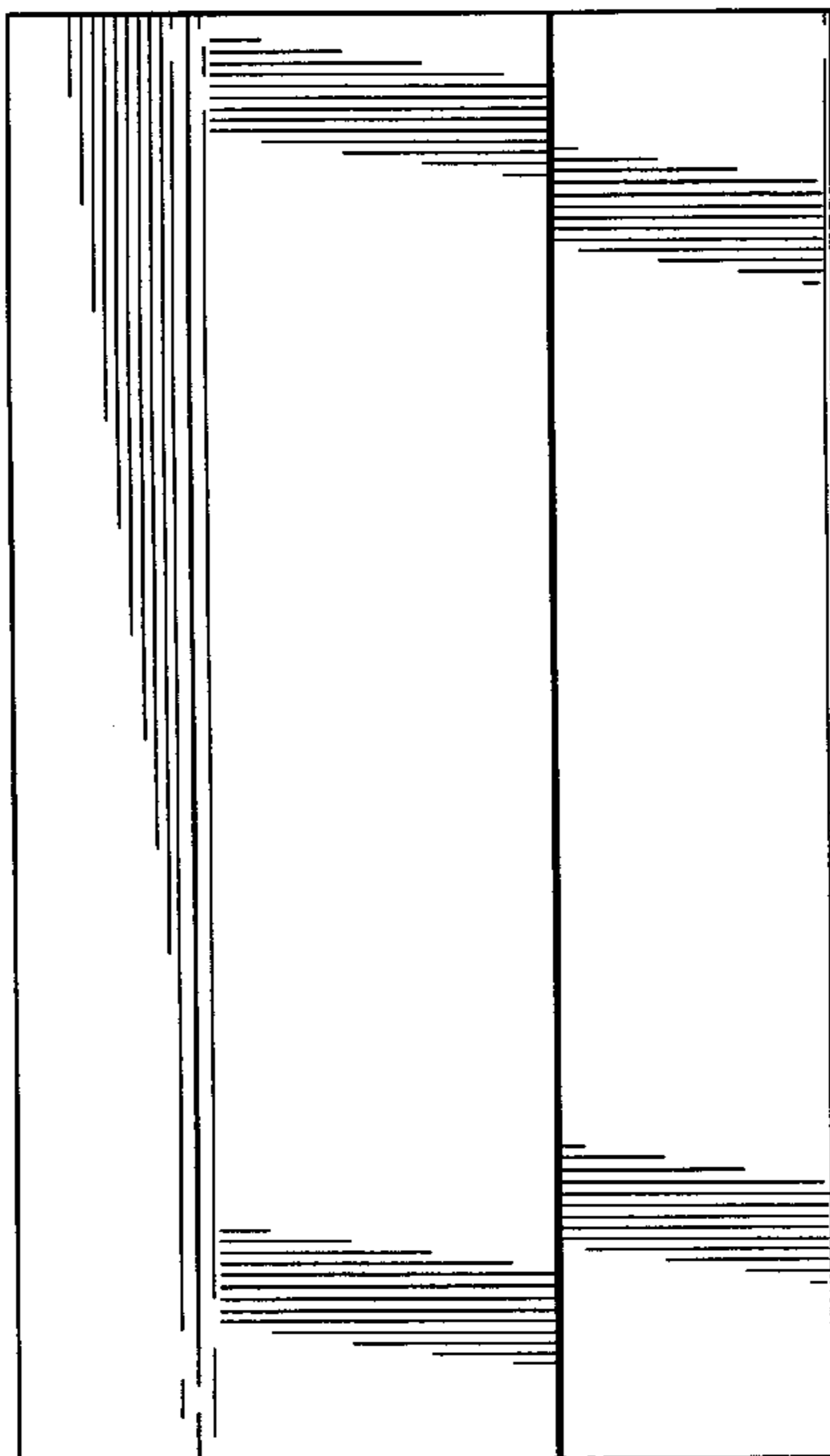


FIG. 4

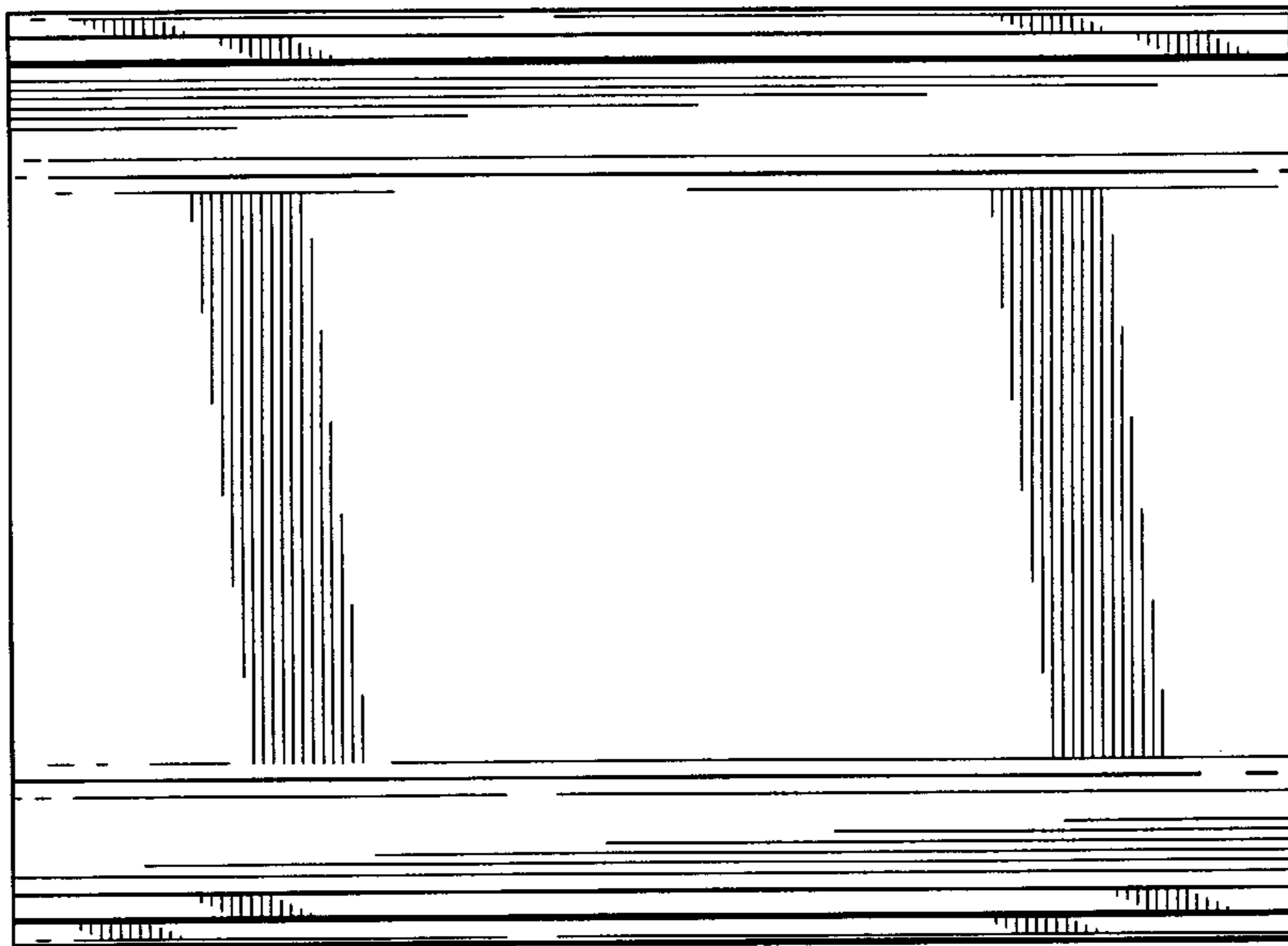


FIG. 5

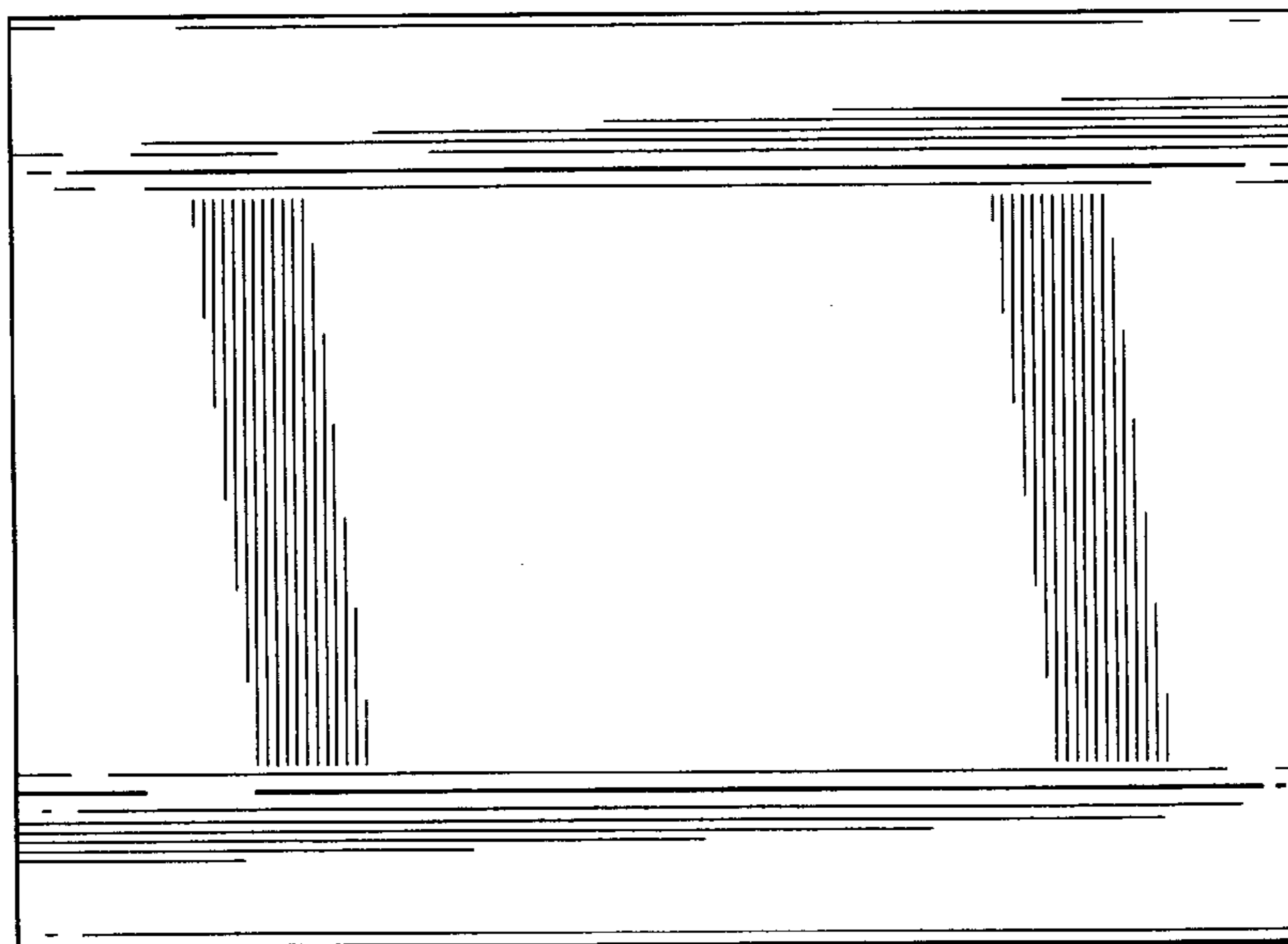


FIG. 6