



US00D448859B1

(12) **United States Design Patent**
Doman

(10) **Patent No.:** **US D448,859 S**

(45) **Date of Patent:** **** Oct. 2, 2001**

(54) **LANDSCAPE BORDER**

(76) **Inventor:** **Bryce Doman**, 300 N. Draper La.,
Provo, UT (US) 84601

(**) **Term:** **14 Years**

(21) **Appl. No.:** **29/132,075**

(22) **Filed:** **Nov. 1, 2000**

(51) **LOC (7) Cl.** **25-01**

(52) **U.S. Cl.** **D25/113; D25/164**

(58) **Field of Search** **D25/102, 113-118,**
D25/164; D21/484-486, 489-497, 503;
404/27-31; 52/102, 578-582.2, 596-609

(56) **References Cited**

U.S. PATENT DOCUMENTS

D. 378,702	4/1997	Blomquist et al.	D25/113
D. 386,265	* 11/1997	Ellington	D25/113
D. 407,507	* 3/1999	Owens, II et al.	D25/164
D. 421,136	2/2000	Doman	D25/113
D. 438,992	* 3/2001	Chrisco et al.	D25/164
3,762,113	* 10/1973	O'Mullan et al.	52/102
4,976,063	12/1990	Young	52/102 X

5,080,523	*	1/1992	Steiner	52/585	X
5,119,587		6/1992	Waltz	52/102	X
5,414,956		5/1995	Kheradpir	47/33	
5,921,021		7/1999	Coates	47/33	
6,038,811		3/2000	Conway	47/33	

* cited by examiner

Primary Examiner—Louis S. Zarfaz

Assistant Examiner—Robert A. Delehanty

(74) *Attorney, Agent, or Firm*—Thorpe North & Western
LLP

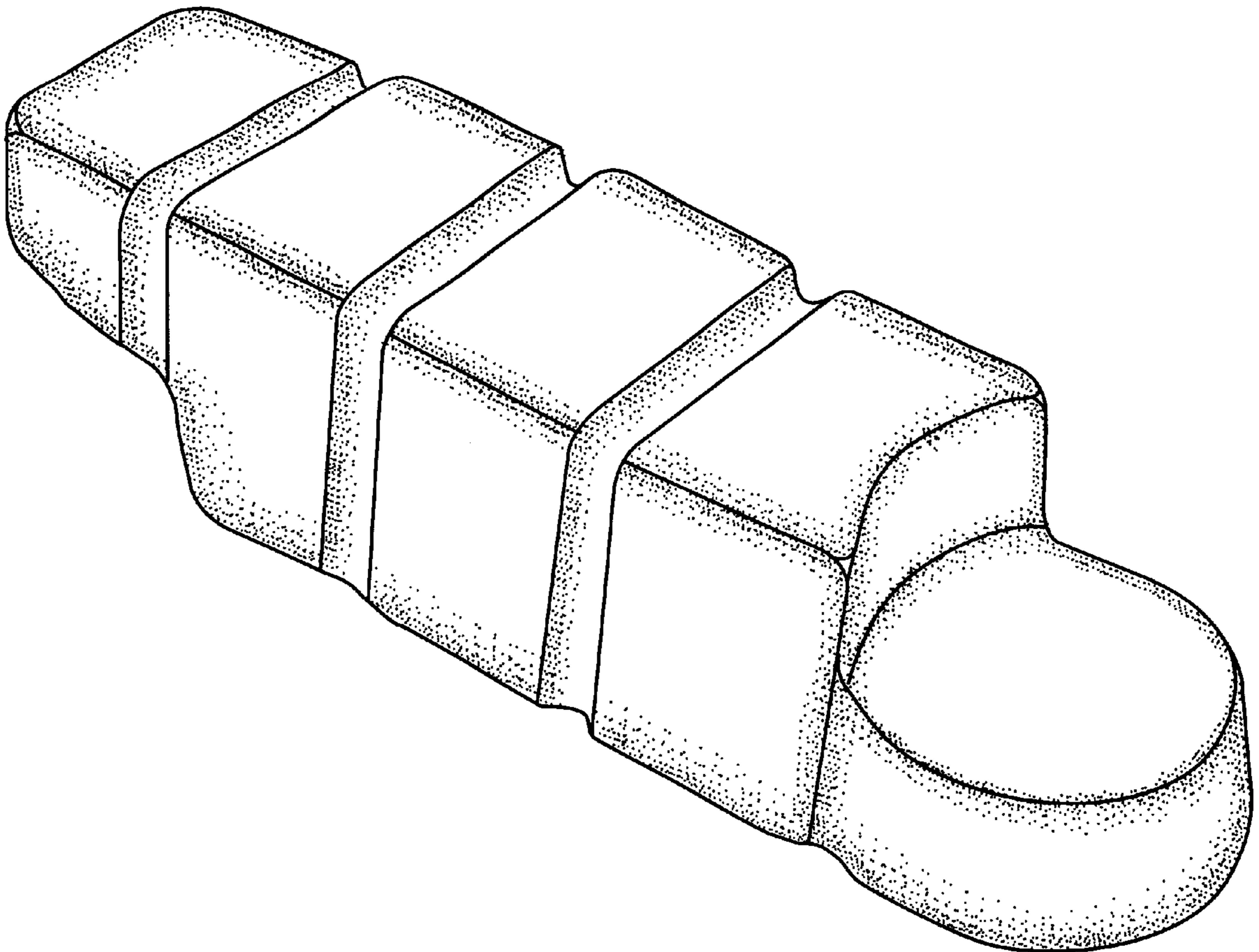
(57) **CLAIM**

What is claimed is the ornamental design for a landscape
border, as shown and described herein.

DESCRIPTION

FIG. 1 is a side perspective view of the invention;
FIG. 2 is a first side view thereof;
FIG. 3 is a second side view thereof;
FIG. 4 is a front end view thereof;
FIG. 5 is a rear end view thereof;
FIG. 6 is a top view thereof; and,
FIG. 7 is a bottom view thereof.

1 Claim, 2 Drawing Sheets



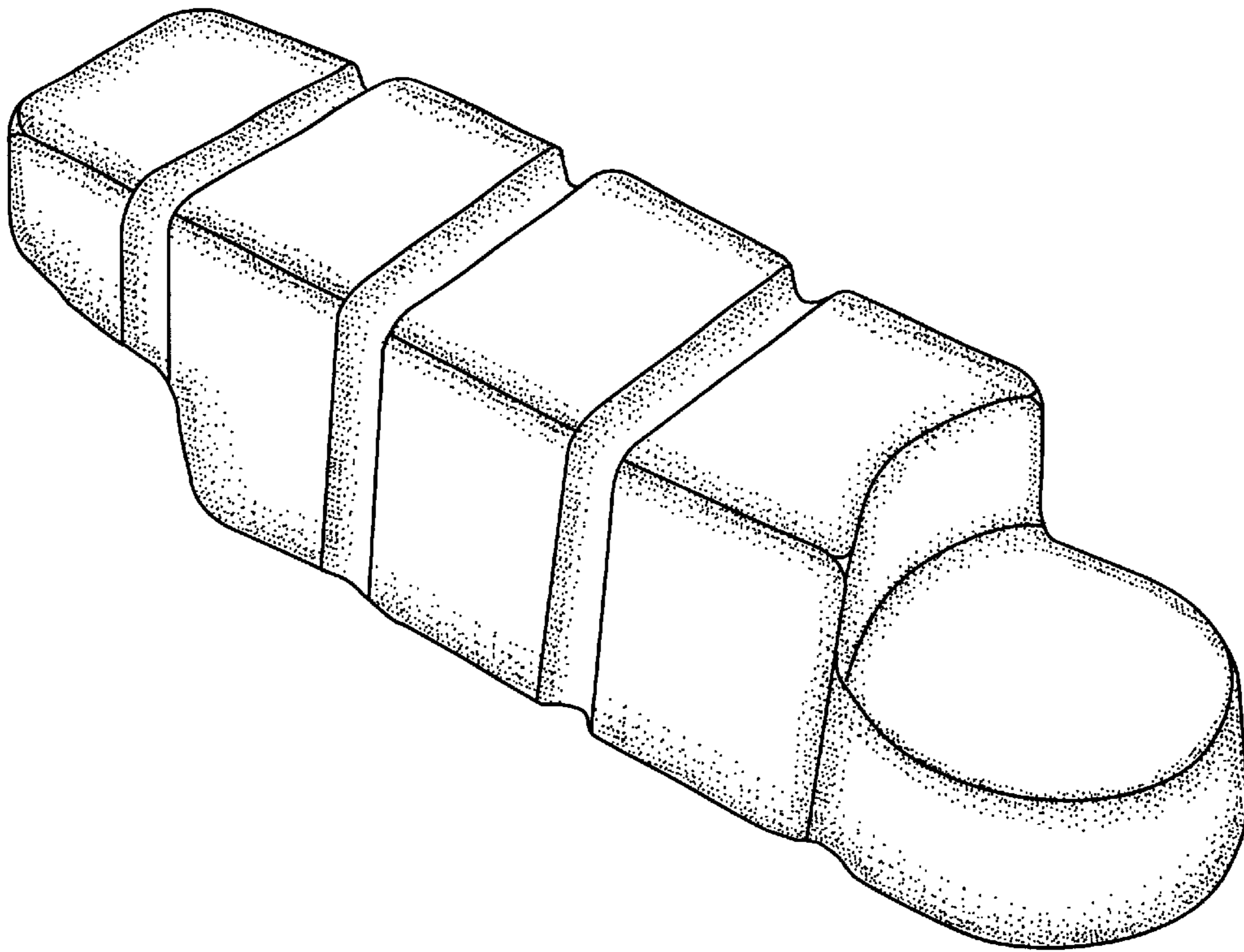


Fig. 1

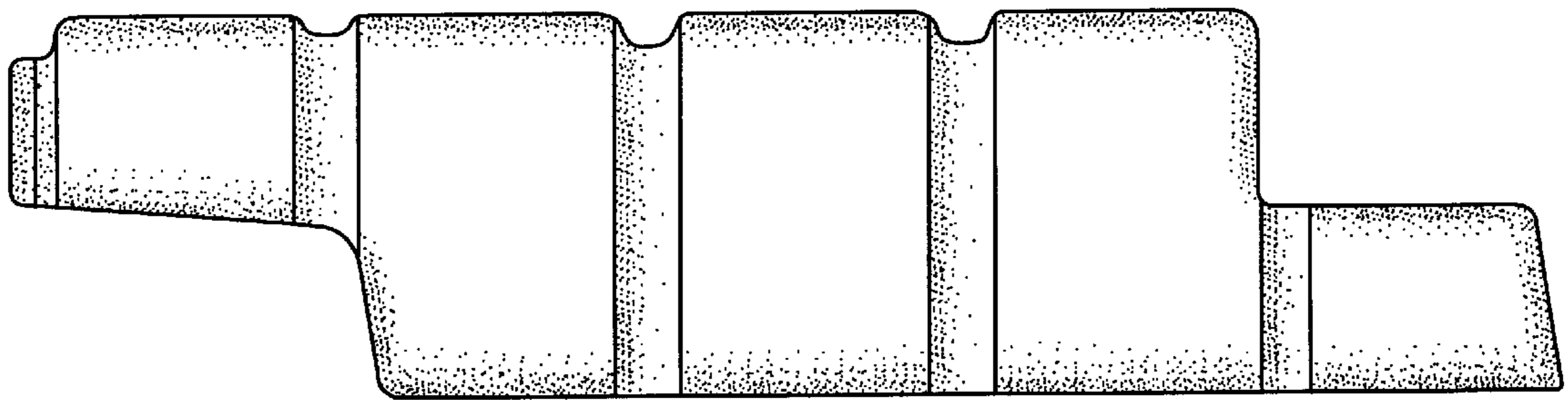


Fig. 2

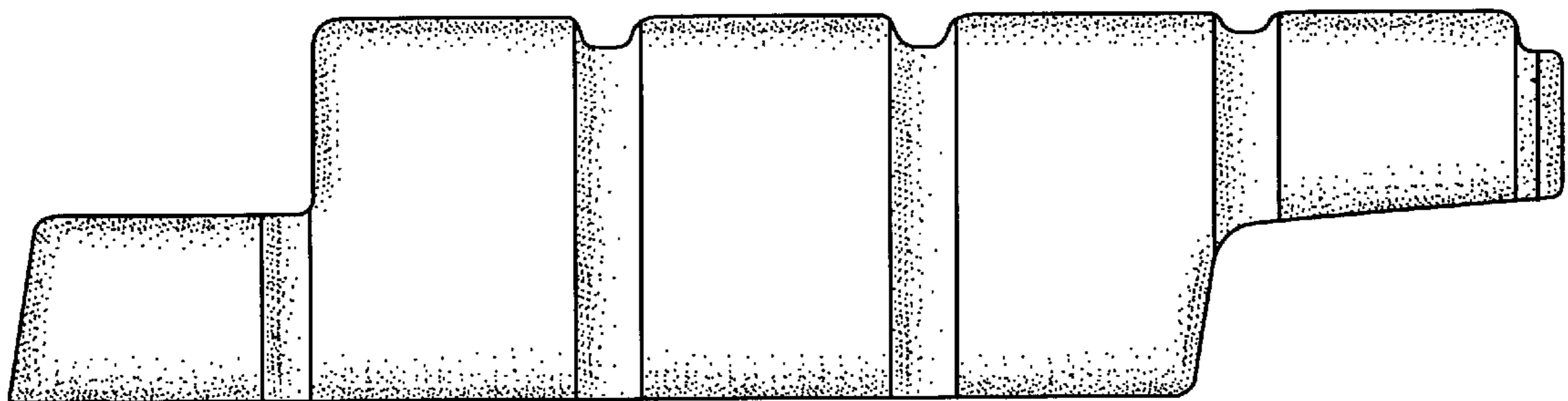


Fig. 3

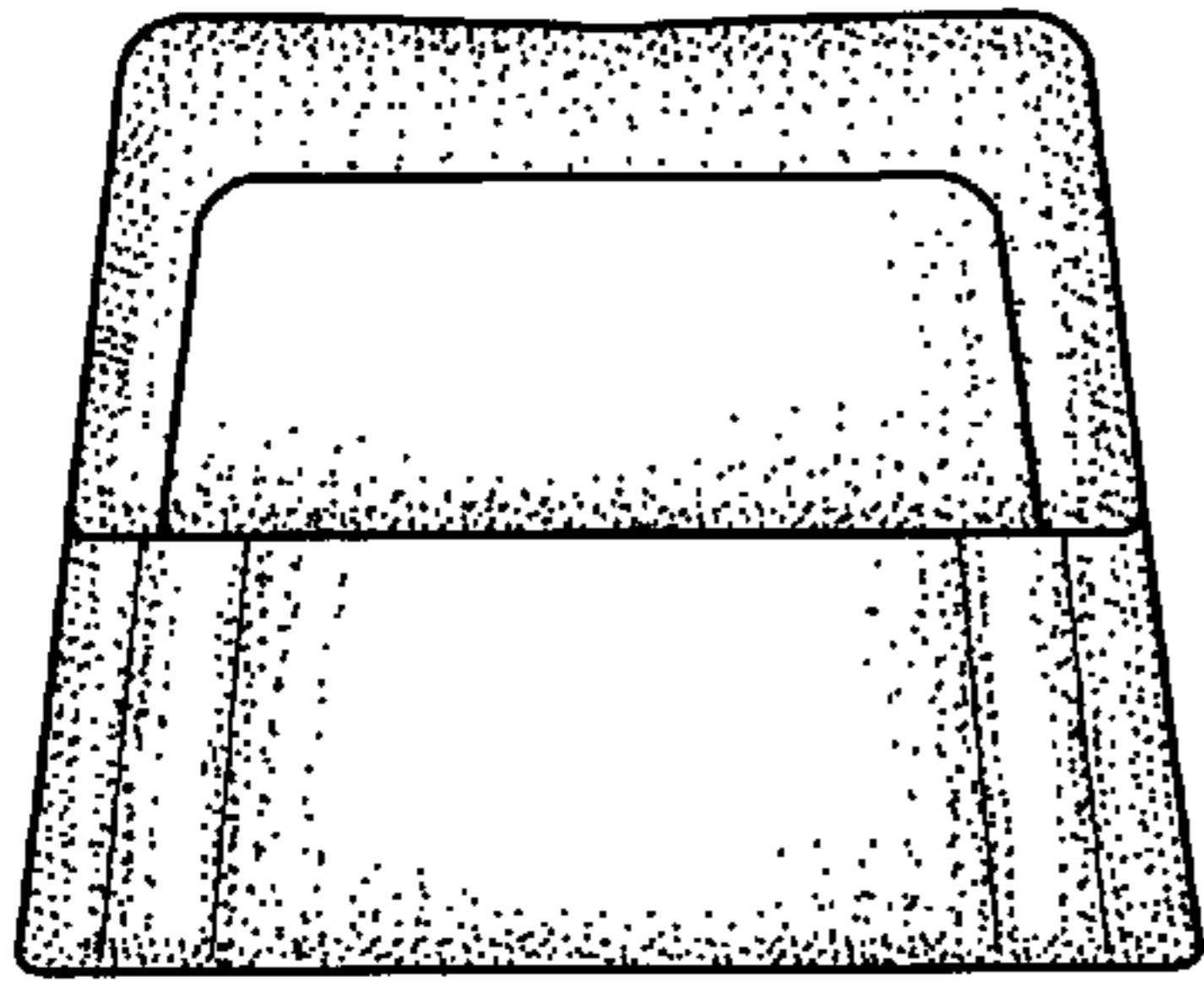


Fig. 4

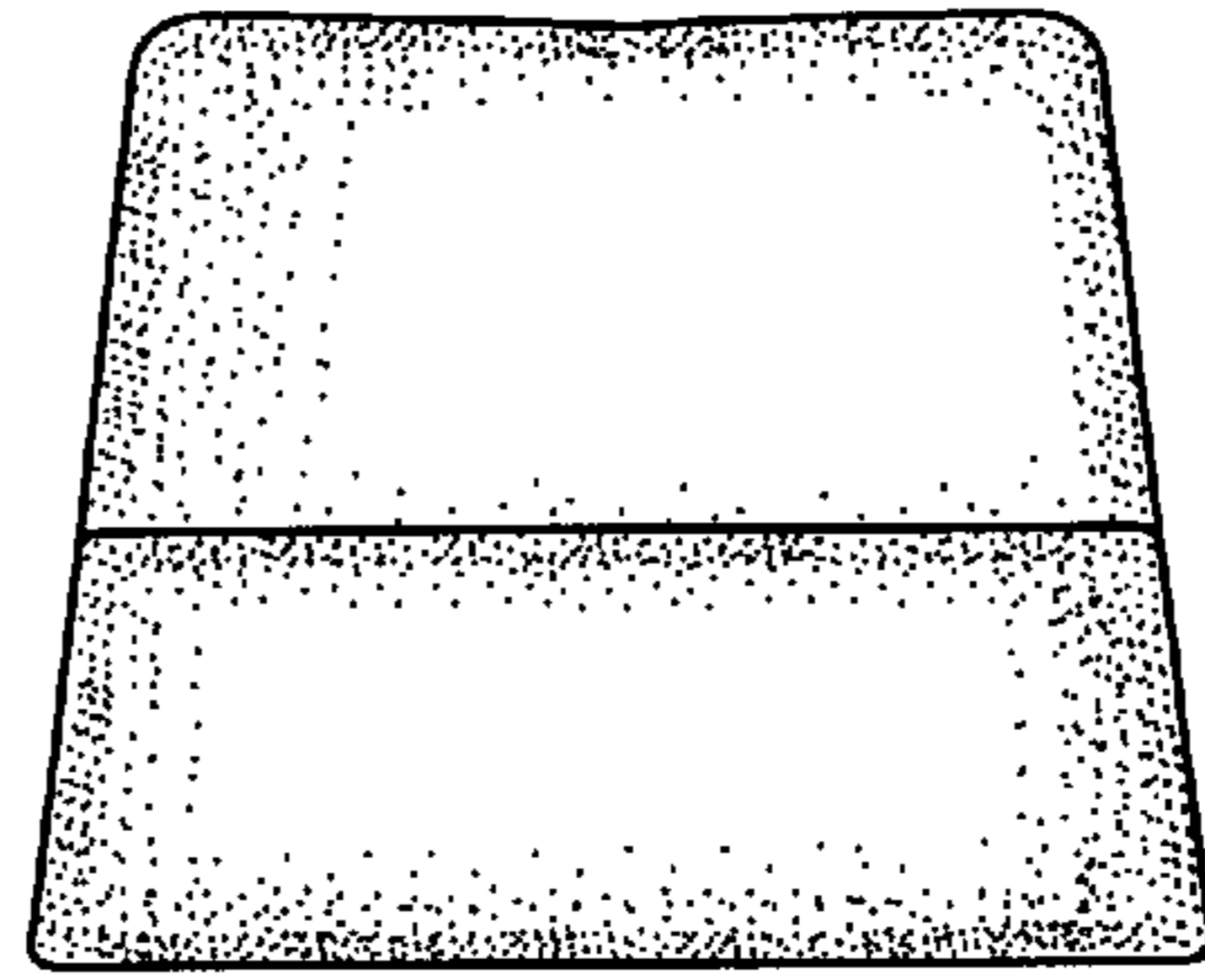


Fig. 5

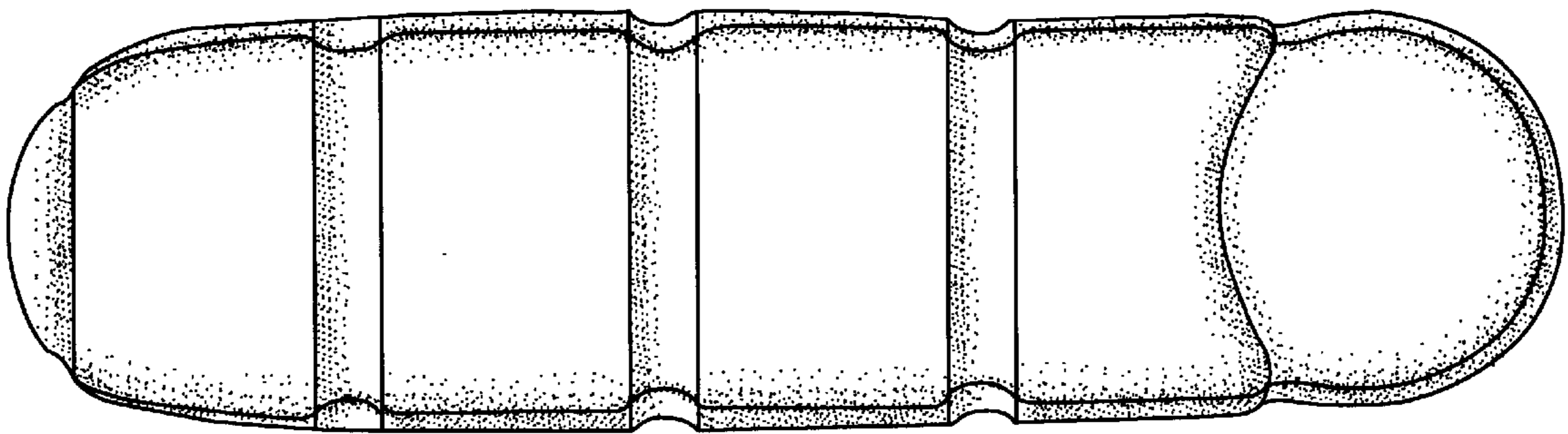


Fig. 6

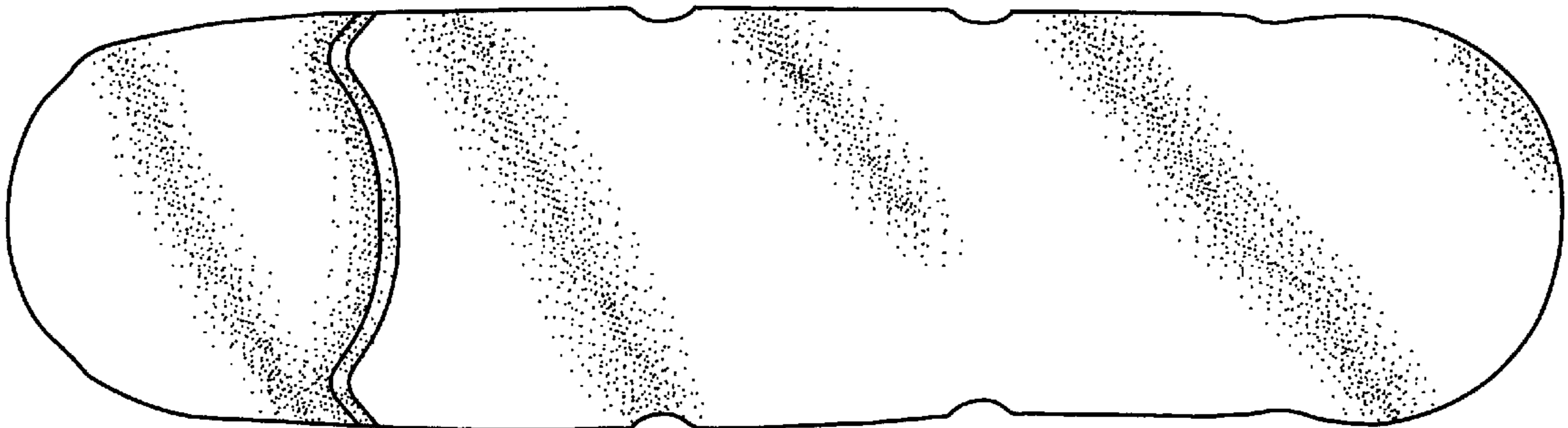


Fig. 7