



US00D448858B1

(12) **United States Design Patent**
Azar

(10) **Patent No.:** **US D448,858 S**

(45) **Date of Patent:** **** Oct. 2, 2001**

(54) **CORNER BRICK**

(76) Inventor: **Tony J. Azar**, 3555 North Service Road, East Windsor, Ontario (CA), N8W 5R7

(**) Term: **14 Years**

(21) Appl. No.: **29/130,600**

(22) Filed: **Oct. 5, 2000**

(30) **Foreign Application Priority Data**

Sep. 25, 2000 (CA) 2000-0916

(51) **LOC (7) Cl.** **25-01**

(52) **U.S. Cl.** **D25/113**

(58) **Field of Search** D25/102, 113-118, D25/164; D21/484-486, 489-491, 500-502; 405/284-287.1; 404/17-18, 27-31, 34-42; 52/102, 574-581, 588.1, 582.1, 582.2, 596-612

(56) **References Cited**

U.S. PATENT DOCUMENTS

D. 21,522	*	5/1892	Lewis	D25/113
D. 266,362	*	9/1982	Santos	D25/114
1,086,975	*	2/1914	Aaronson	52/316 X
1,495,022	*	5/1924	Langer	52/605 X
6,145,266	*	11/2000	VonDross	52/604

* cited by examiner

Primary Examiner—Louis S. Zarfaz

Assistant Examiner—Robert A. Delehanty

(74) *Attorney, Agent, or Firm*—Anthony J. Casella; Gerald E. Hespos

(57) **CLAIM**

The ornamental design of a corner brick, as shown and described.

DESCRIPTION

FIG. 1 is a perspective view of a corner brick in accordance

with my design, and showing the rear face of the corner brick;

FIG. 2 is a rear elevational view of my design;

FIG. 3 is a front elevational view thereof;

FIG. 4 is a top plan view thereof;

FIG. 5 is a bottom plan view thereof;

FIG. 6 is a side elevational view as viewed from the left side of FIG. 1;

FIG. 7 is a side elevational view as viewed from the right side of FIG. 1;

FIG. 8 is a perspective view of the corner brick shown in FIG. 1, but showing the front face of the corner brick;

FIG. 9 is a perspective view of a corner brick in accordance with my design, but showing a corner brick that is a mirror image of the corner brick shown in FIG. 1, and intended for an opposite corner;

FIG. 10 is a rear elevational view of the corner brick shown in FIG. 9;

FIG. 11 is a front elevational view of the corner brick shown in FIG. 9;

FIG. 12 is a top plan view thereof;

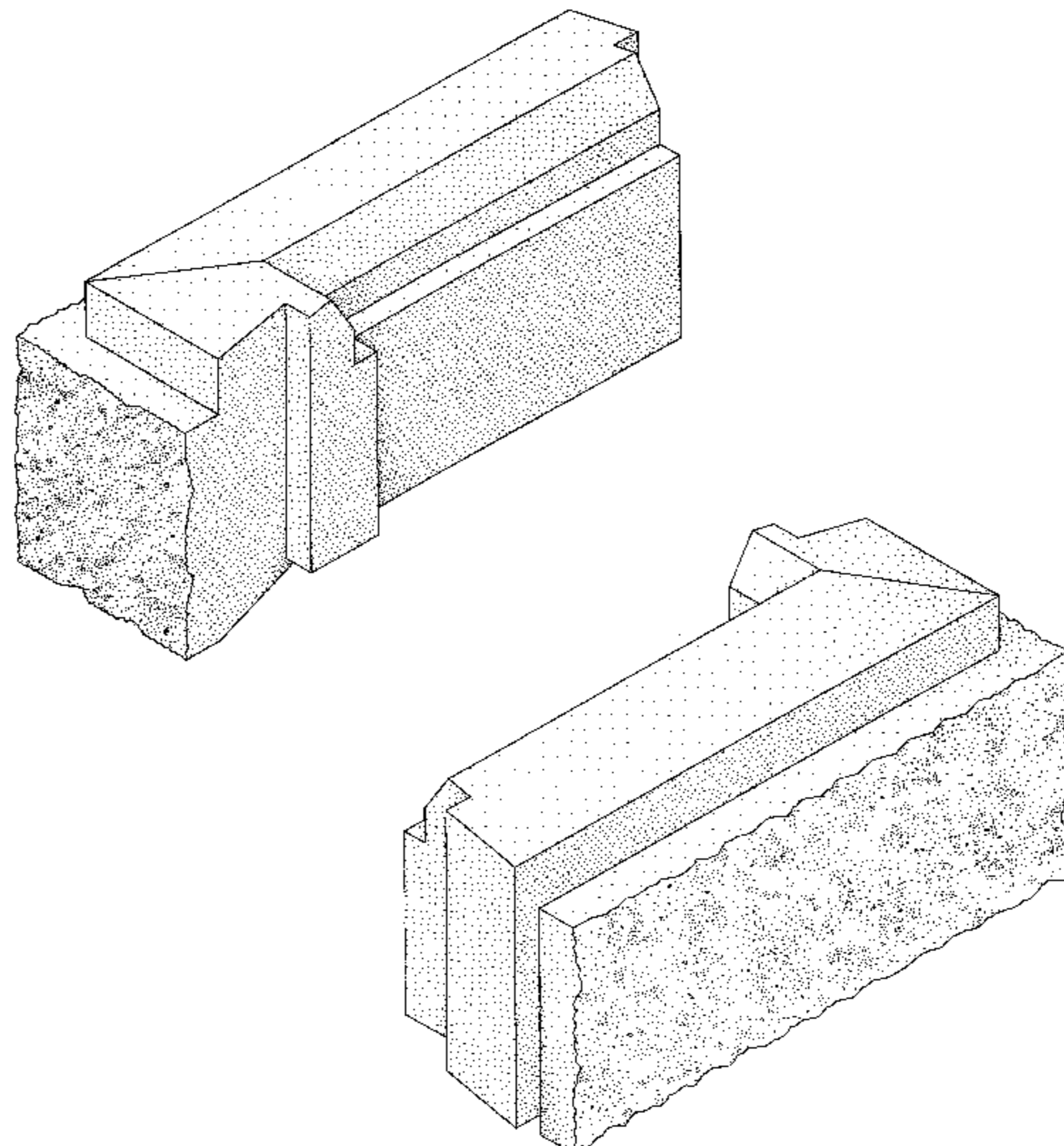
FIG. 13 is a bottom plan view thereof;

FIG. 14 is a side elevational view as viewed from the left side of FIG. 9;

FIG. 15 is a side elevational view as viewed as viewed from the right side of FIG. 9; and,

FIG. 16 is a perspective view of the corner brick shown in FIG. 9, but showing the front face of the corner brick.

1 Claim, 8 Drawing Sheets



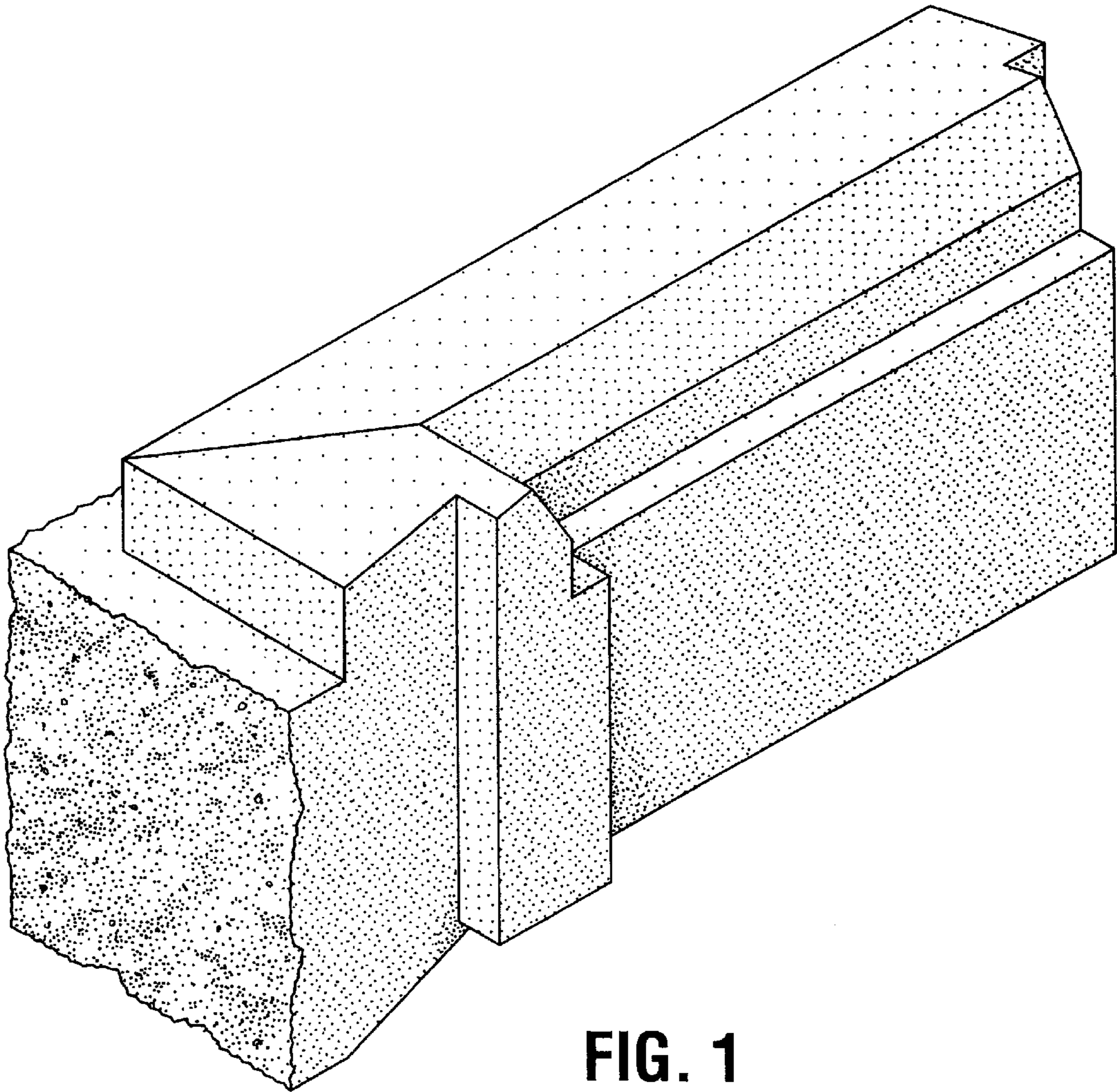


FIG. 1

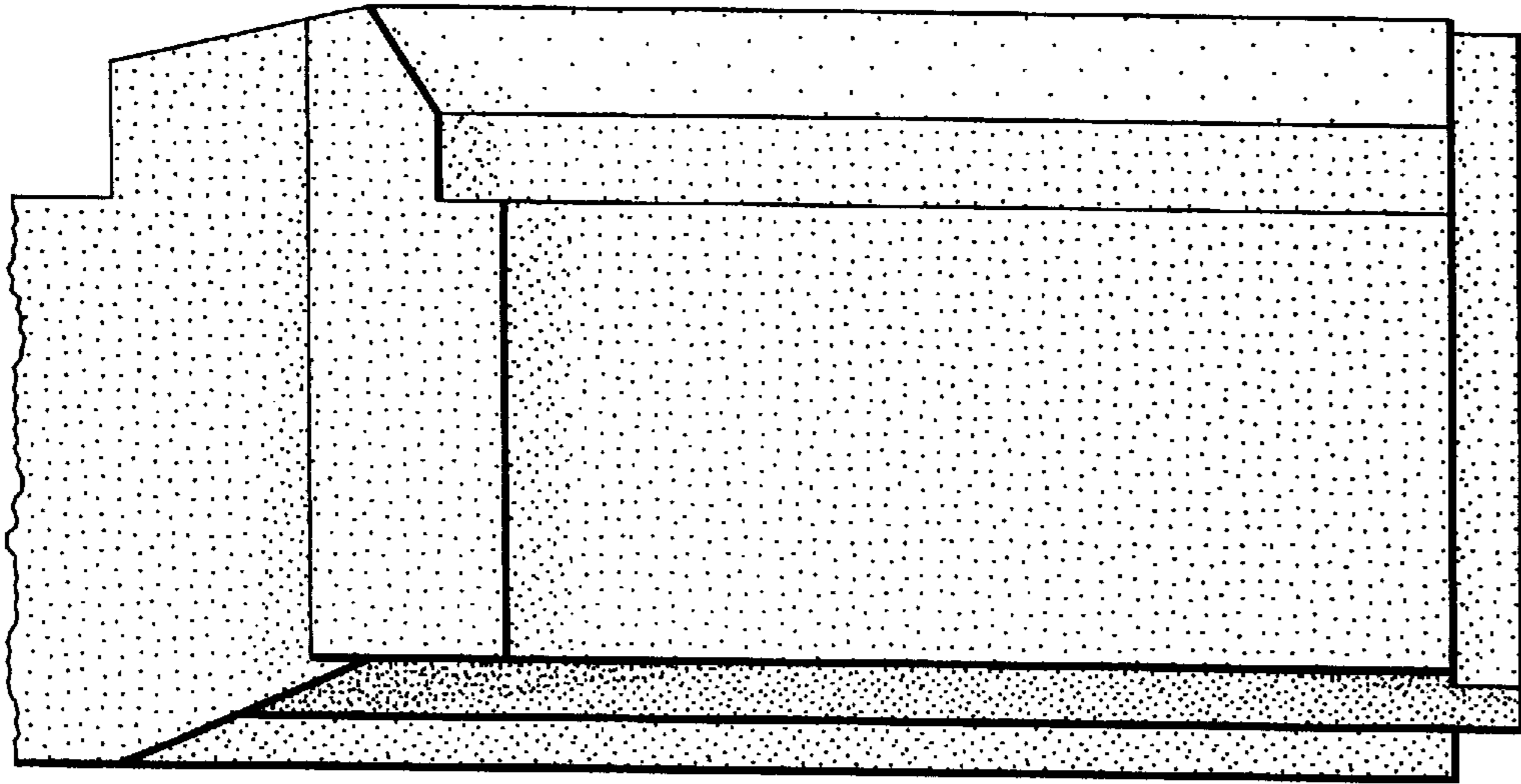


FIG. 2

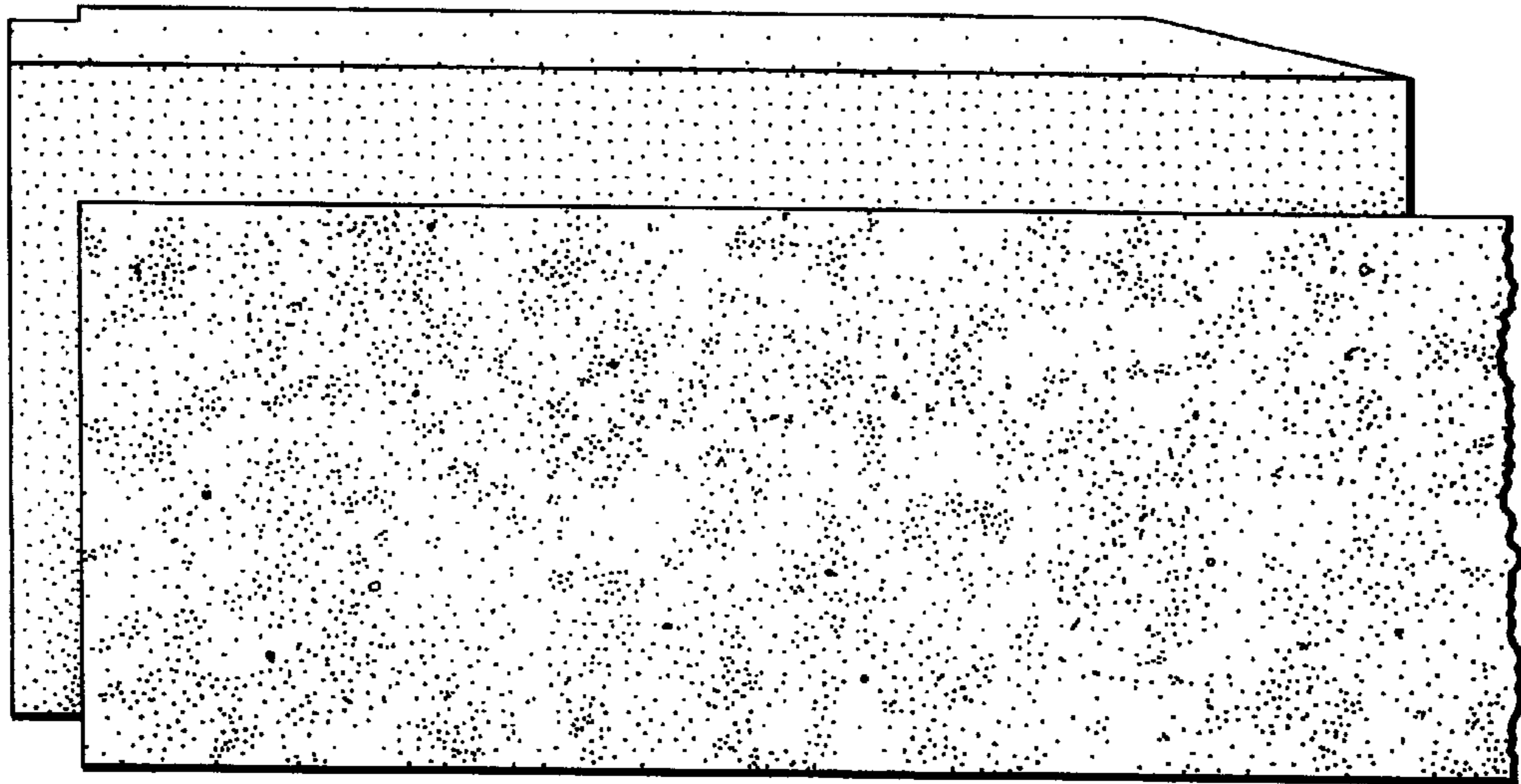


FIG. 3

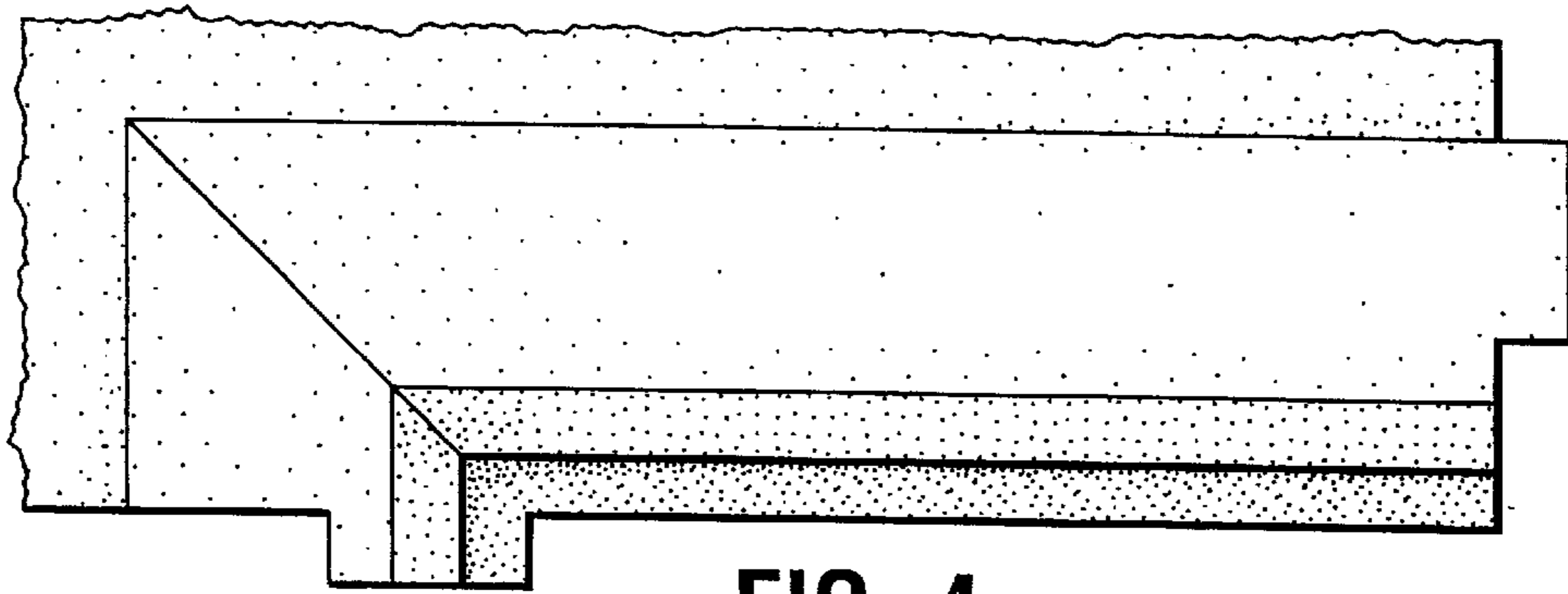


FIG. 4

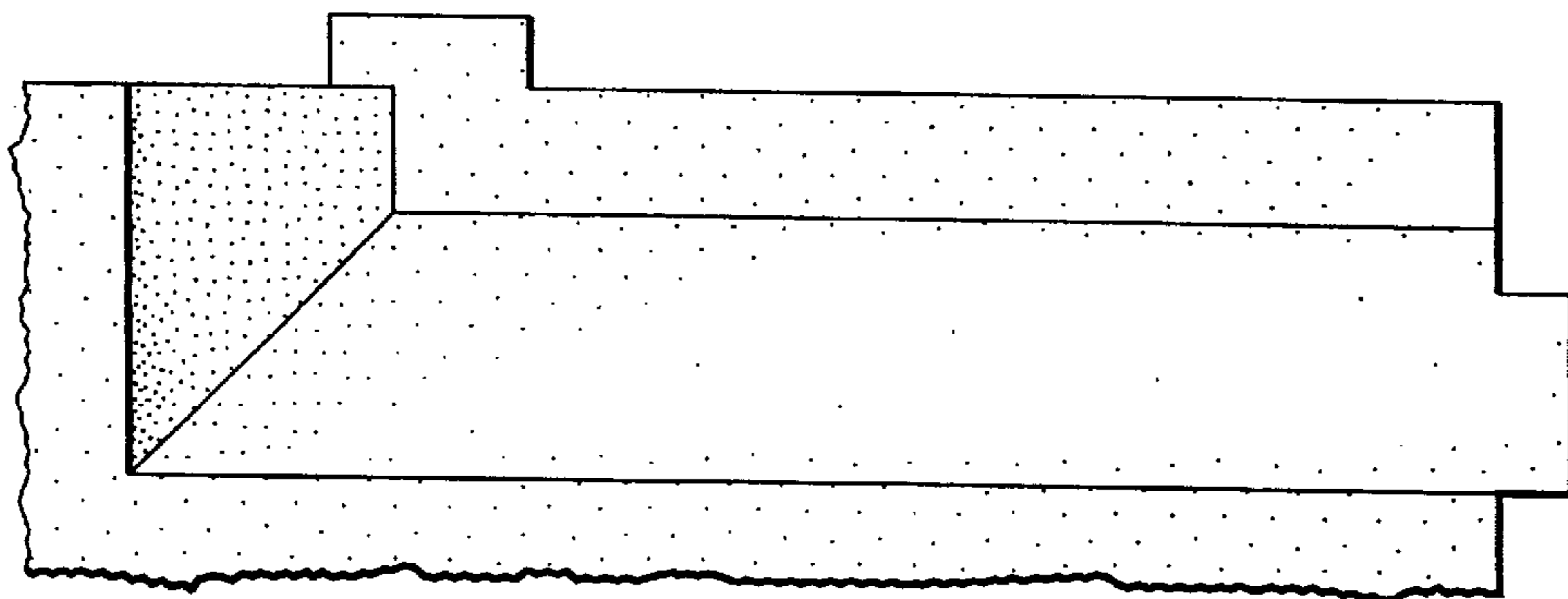


FIG. 5

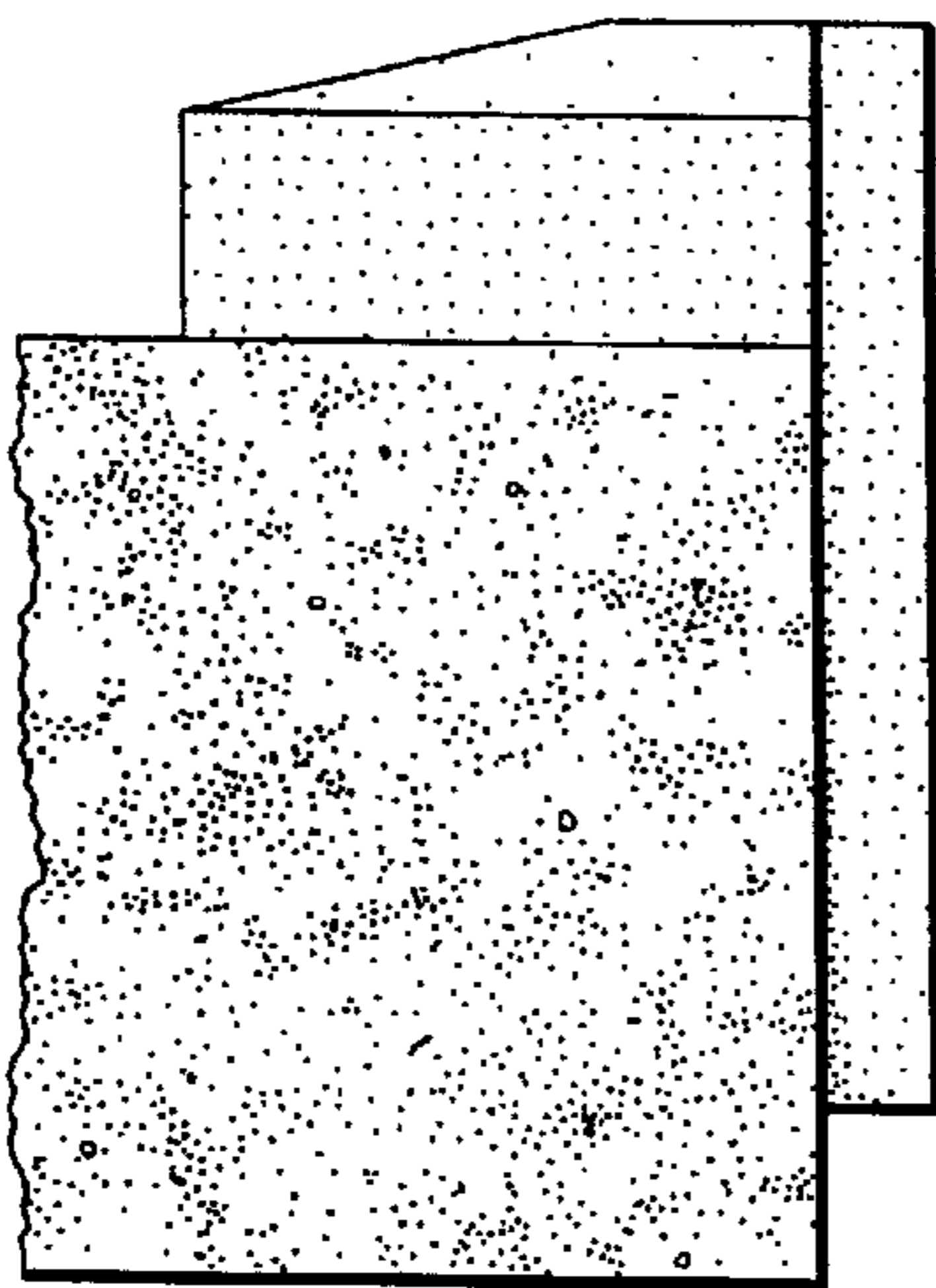


FIG. 6

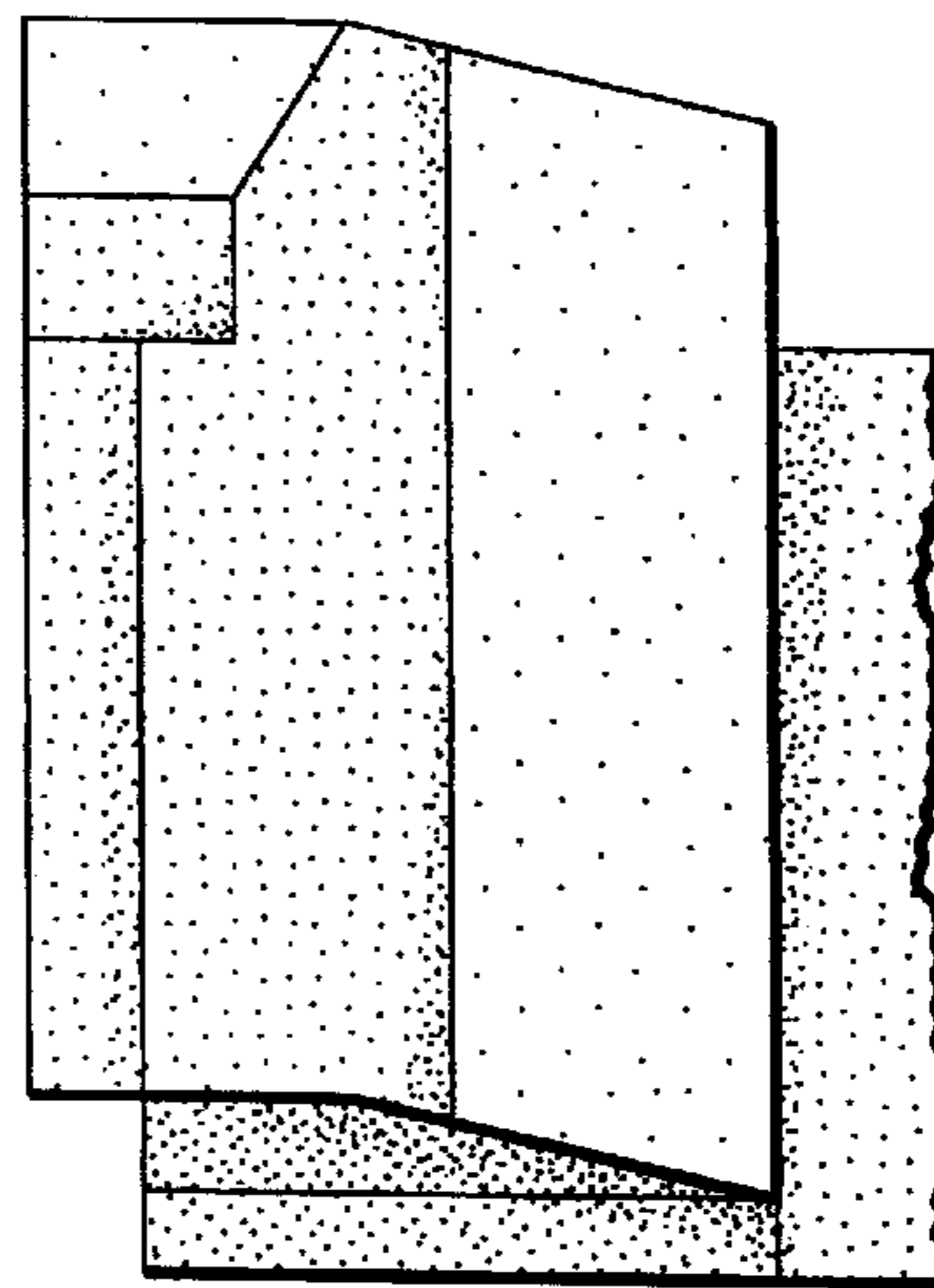


FIG. 7

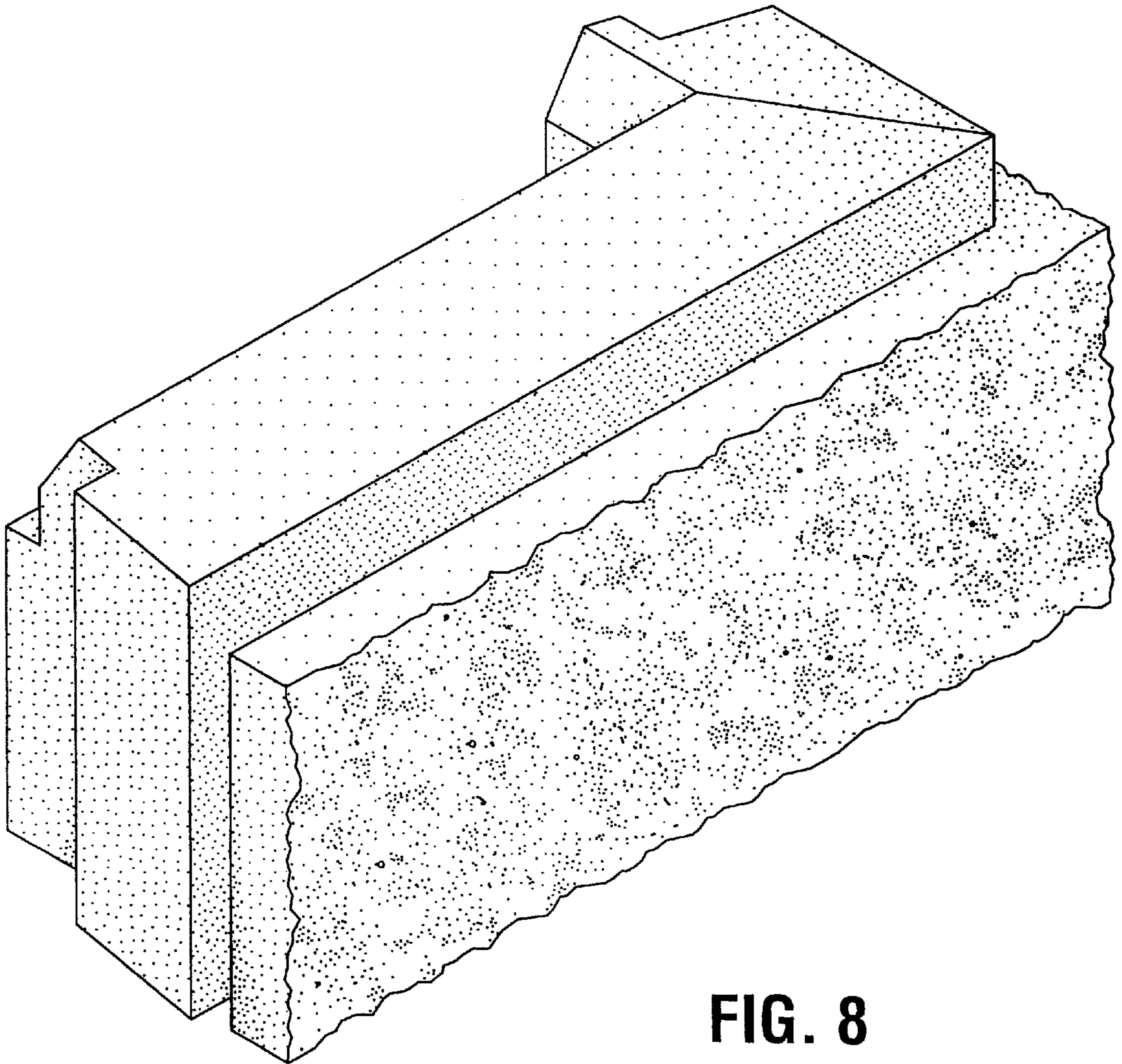


FIG. 8

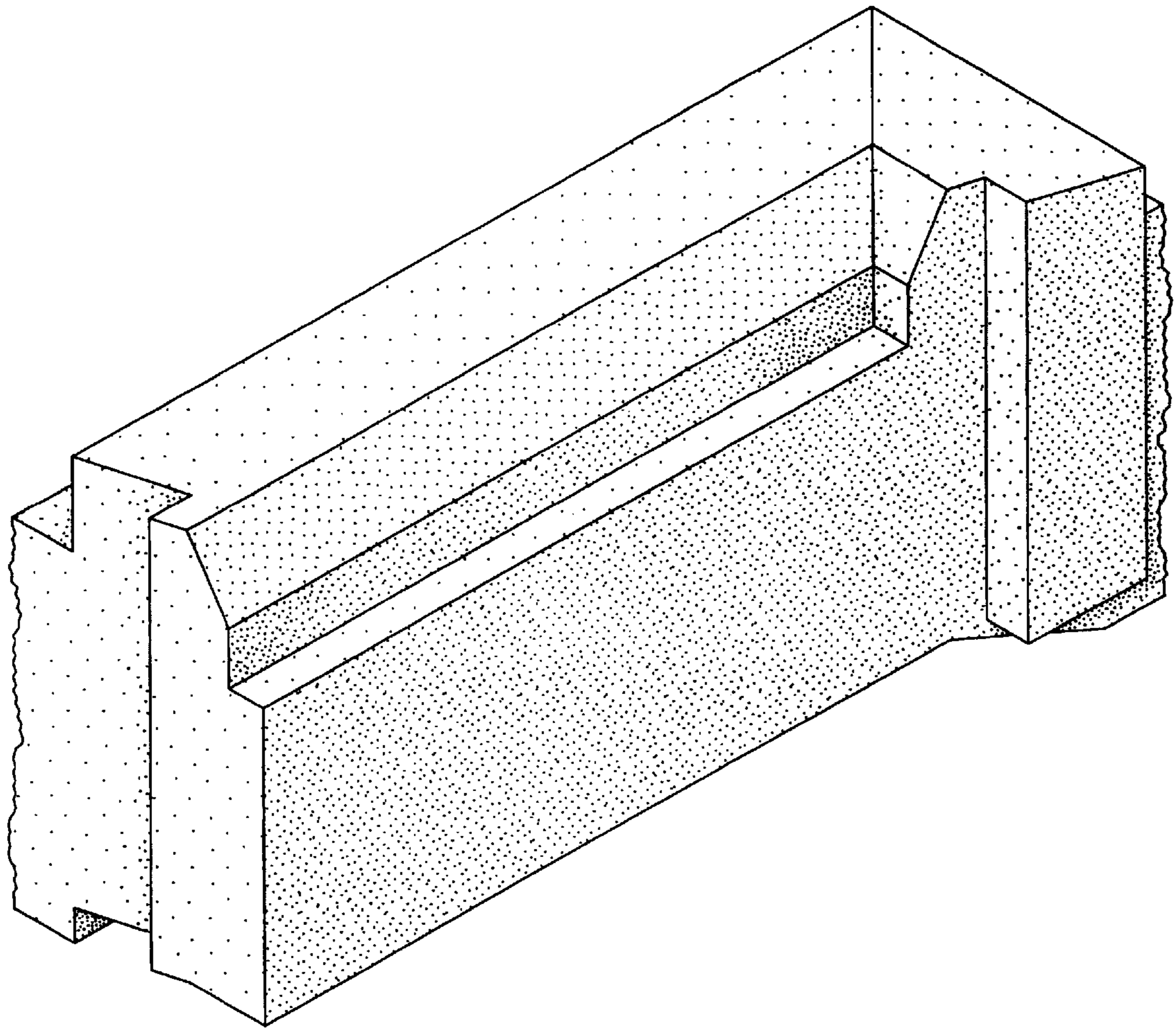


FIG. 9

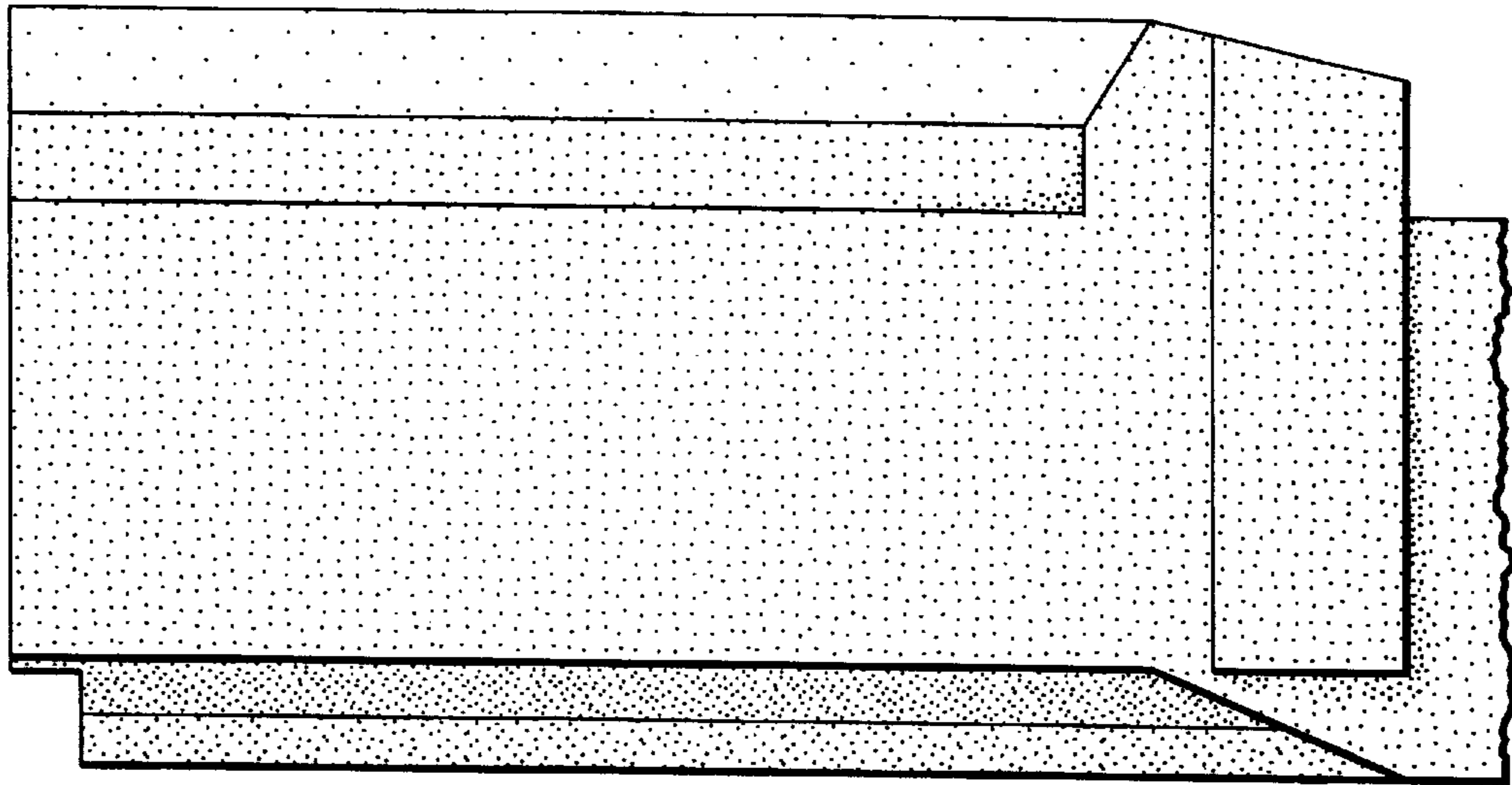


FIG. 10

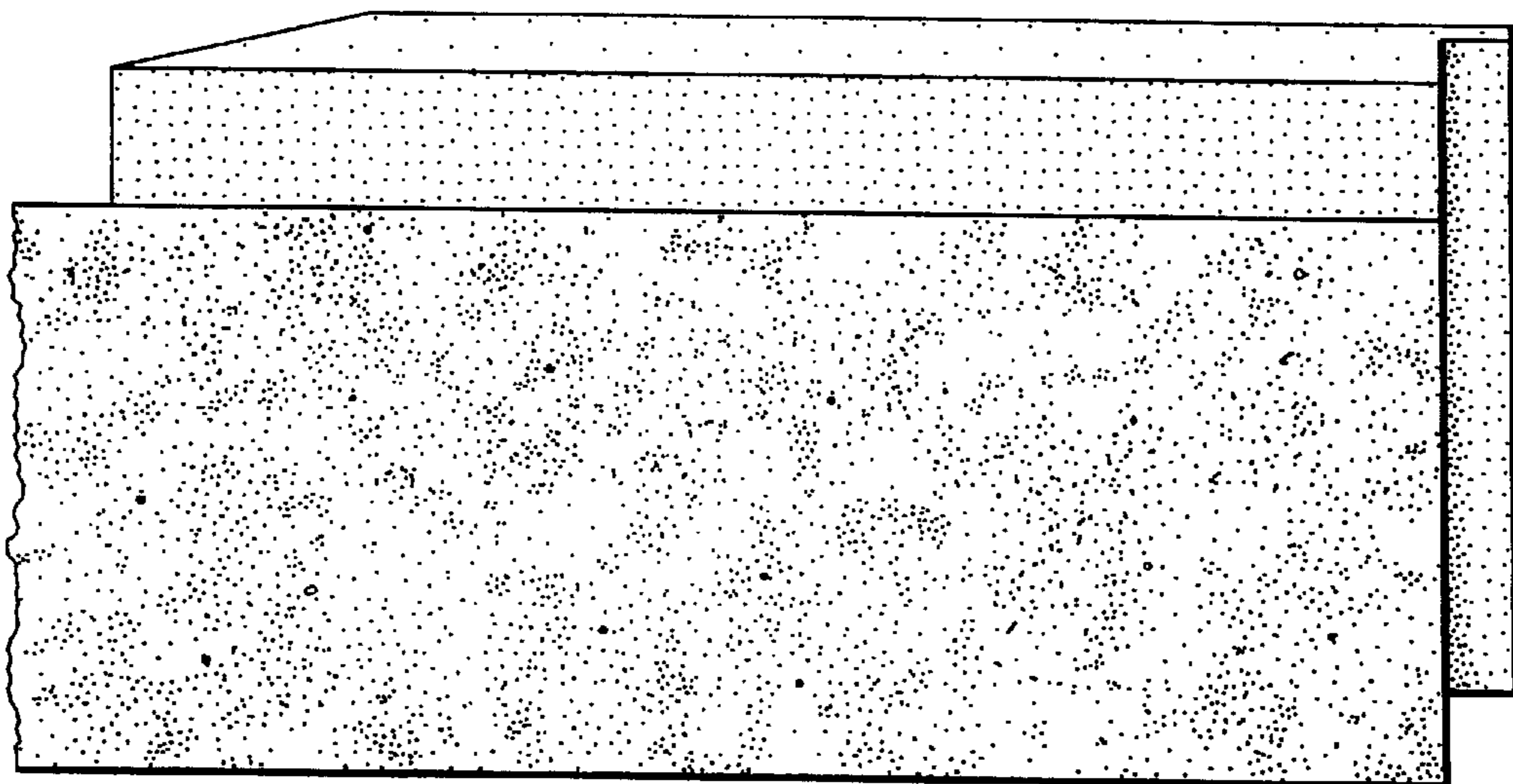


FIG. 11

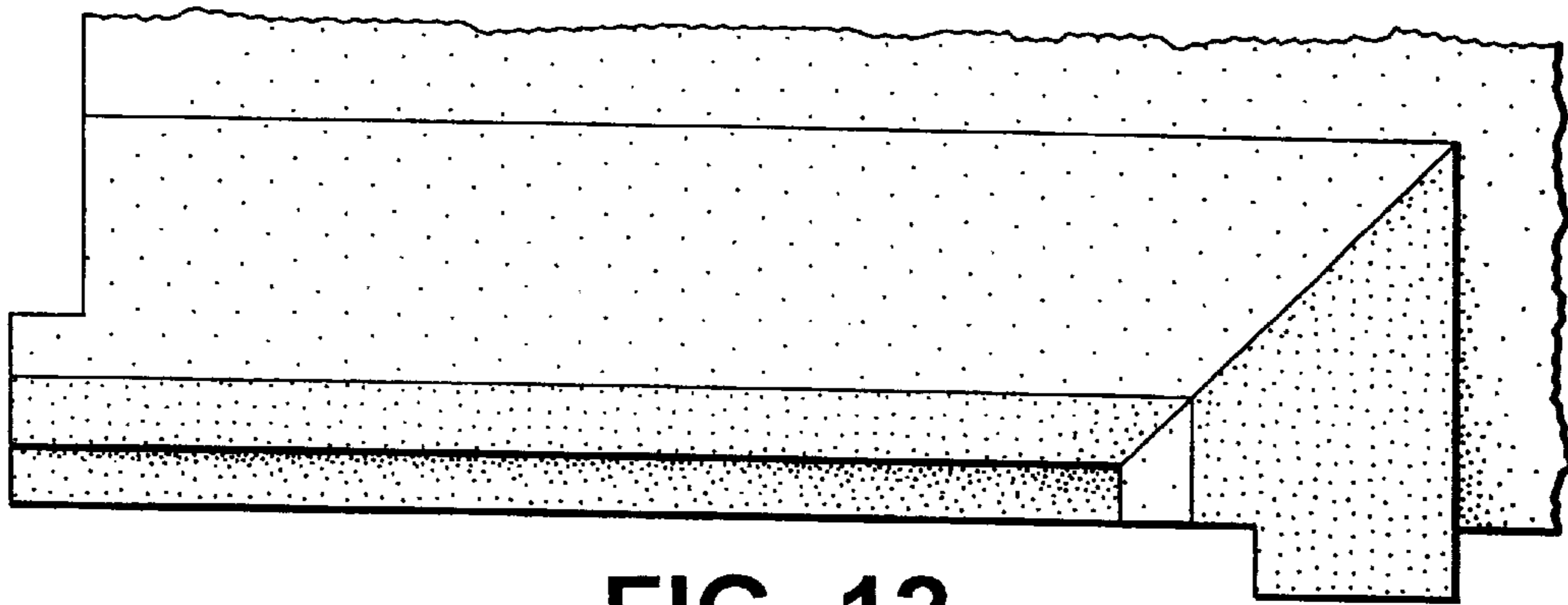


FIG. 12

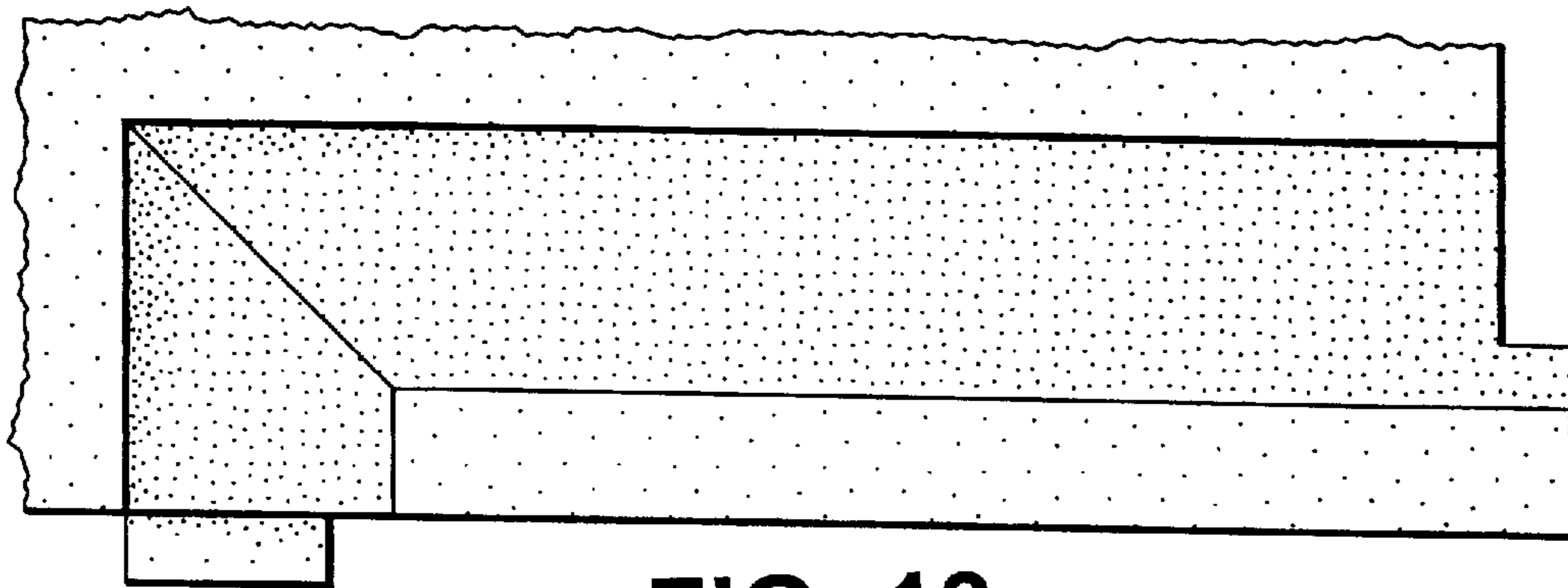


FIG. 13

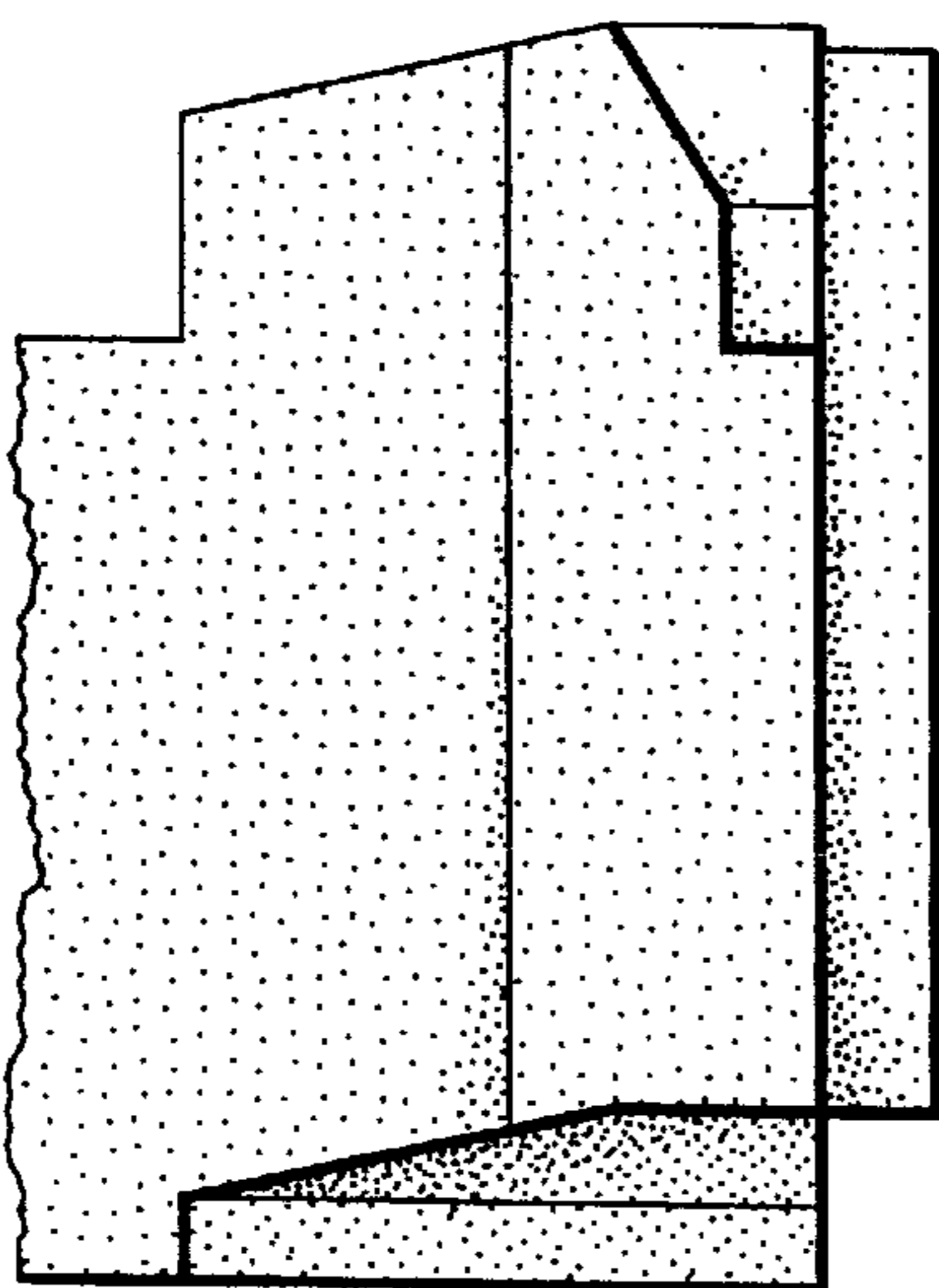


FIG. 14

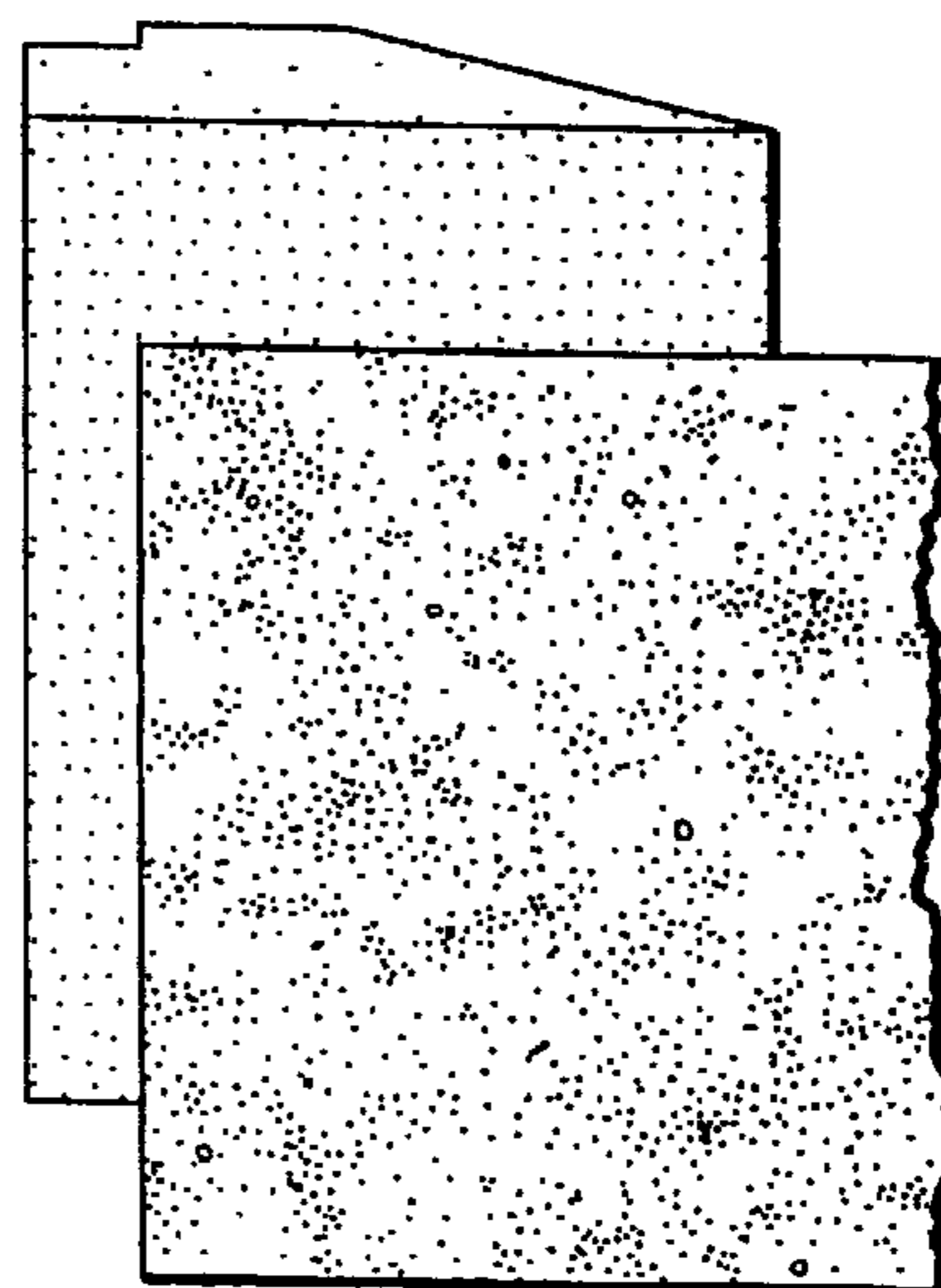


FIG. 15

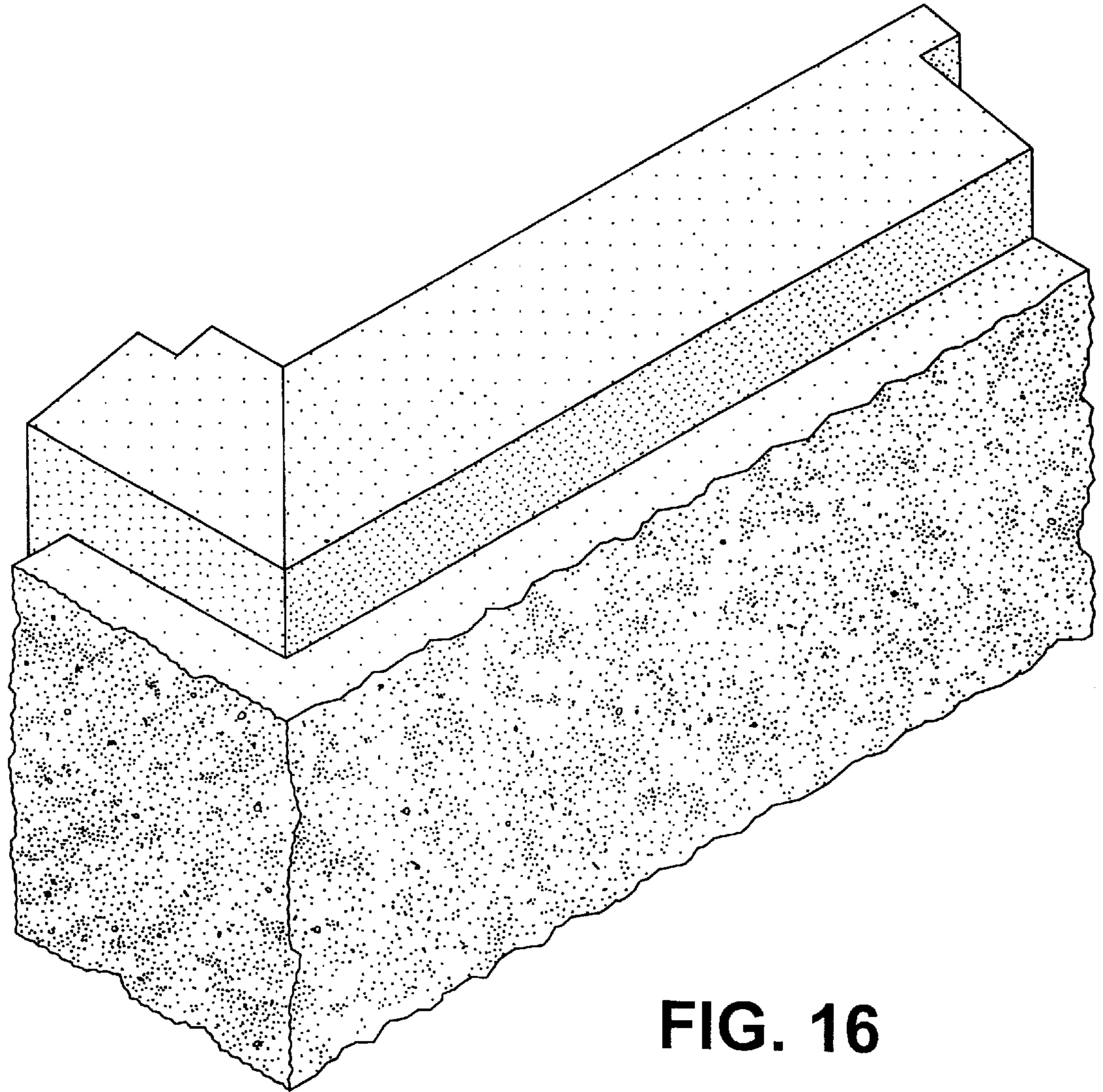


FIG. 16