



US00D448856B1

(12) **United States Design Patent**
Boone

(10) **Patent No.:** **US D448,856 S**

(45) **Date of Patent:** **** Oct. 2, 2001**

(54) **DECORATIVE WALL BLOCK**

OTHER PUBLICATIONS

(76) Inventor: **Anthony Forest Boone**, P.O. Box 2991,
Louisville, KY (US) 40201-2991

(**) Term: **14 Years**

(21) Appl. No.: **29/128,084**

(22) Filed: **Aug. 17, 2000**

Related U.S. Application Data

(63) Continuation-in-part of application No. 29/114,725, filed on
Nov. 30, 1999, now Pat. No. Des. 436,186.

(51) **LOC (7) Cl.** **25-01**

(52) **U.S. Cl.** **D25/113**

(58) **Field of Search** D25/102, 112-118,
D25/164, 199; D21/484-486, 488-492,
499-500; 52/582.1, 588.1, 596, 605, 606,
612; 404/29-31, 34, 37-42; 405/284-287,
287.1, 16, 272-273

(56) **References Cited**

U.S. PATENT DOCUMENTS

D. 305,569	*	1/1990	Sakata	D25/113
D. 305,571	*	1/1990	Sakata	D25/114
D. 305,572	*	1/1990	Sakata	D25/114
D. 305,574	*	1/1990	Sakata	D25/113
D. 319,885		9/1991	Bloomquist et al.	.	
D. 321,060		10/1991	Bloomquist et al.	.	
D. 341,215		11/1993	Bloomquist et al.	.	
D. 346,667		5/1994	Bloomquist et al.	.	
D. 378,702		4/1997	Bloomquist et al.	.	
D. 391,376		2/1998	Strand et al.	.	
1,770,155	*	7/1930	Flath	405/273
2,112,861	*	4/1938	O'Hagen et al.	D25/113
3,381,428	*	5/1968	Sillman	52/233
5,064,313	*	11/1991	Risi et al.	405/284
5,381,638	*	1/1995	Anderson	52/588.1
5,542,787	*	8/1996	Charlanow	405/258
5,887,339		3/1999	Shaw et al.	.	
5,887,399		3/1999	Shaw et al.	.	

Website: <http://www.greenstreak.com> (discovered Aug. 21, 2000), Greenstreak, Inc.

Website: <http://www.formliner.com/parapet.html> (discovered Aug. 21, 2000), Karlson Forming Specialities, Inc.

Website: <http://www.formliners.com> (discovered Aug. 21, 2000), Fitzgerald Formliners.

Prime Forming and Construction Supply, Inc. catalogue and users guide 1995, 4 pgs.

Refer to parent patent Serial #29/114725, Decorative Wall Block filed Nov. 30, 1999.

"Thin Brick" buyline 6621, Sweet's General Building & Renovation 1993 Catalog.*

* cited by examiner

Primary Examiner—Louis S. Zarfaz

Assistant Examiner—Robert A. Delehanty

(57) **CLAIM**

The ornamental design for a decorative wall block, as shown and described.

DESCRIPTION

FIG. 1 is a perspective view of a decorative wall block of the first embodiment, the block having quarter round voids at the two front corners, the darker areas depicting void pockets along the uppermost and lowermost ridges of the front of the block;

FIG. 2 is a greatly enlarged left side elevation view showing one of the quarter voids, having scrape marks therein;

FIG. 3 is a greatly enlarged right side elevation view showing one of the quarter voids, having scrape marks therein;

FIG. 4 is an enlarged top plan view, the gradation of shading depicting distinctive ridge levels on the front of the block;

FIG. 5 is an enlarged bottom plan view of the block also showing distinctive ridge levels therein;

FIG. 6 is a front elevation view, the darker areas depicting void pockets along the uppermost and lowermost ridges, horizontal lines showing varied ridge levels along the front of the block;

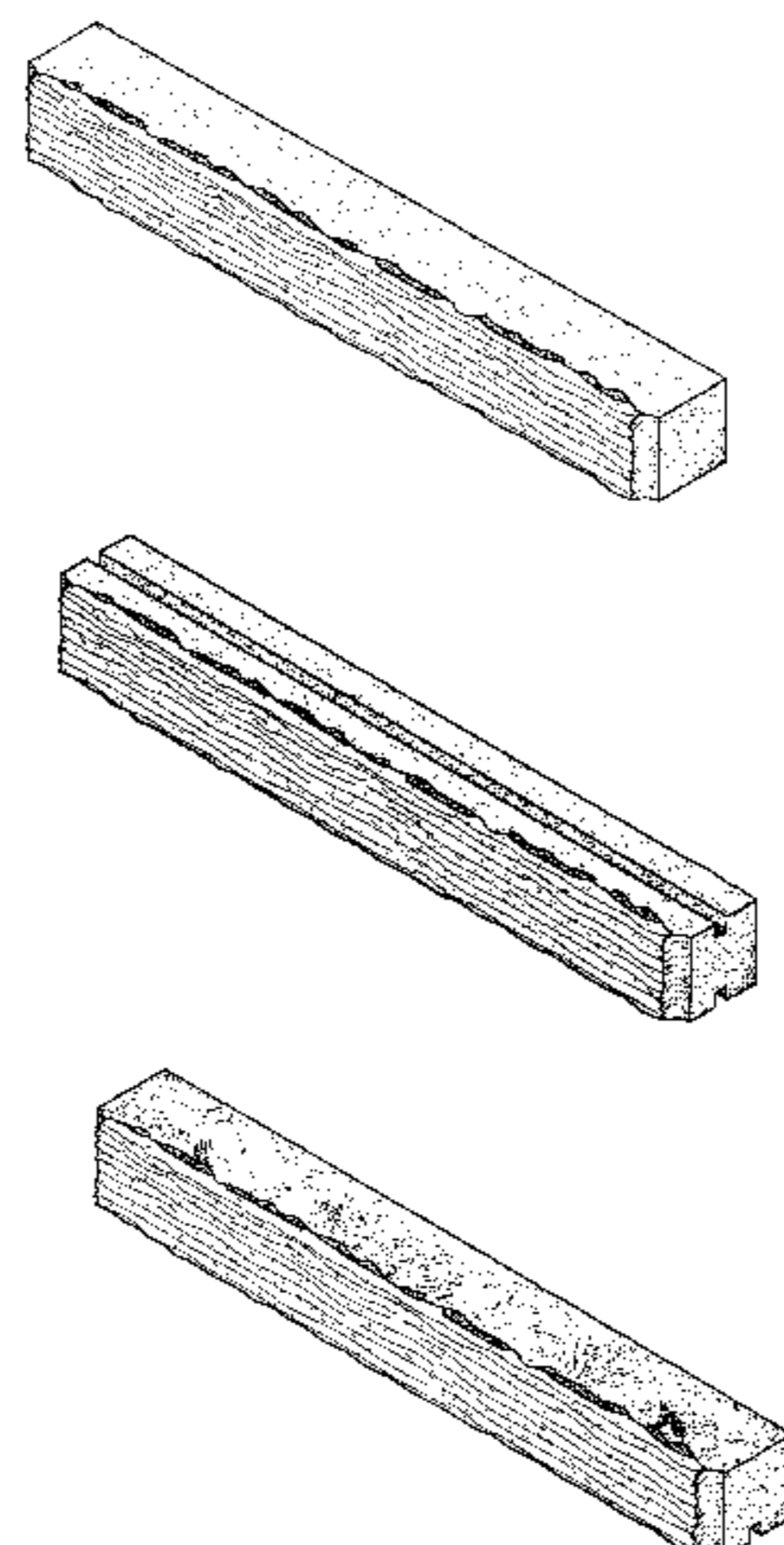


FIG. 7 is a perspective view of a decorative wall block of a second embodiment, the sole difference from the decorative wall block of the first embodiment indicated with a bracket, showing the block of intermediate length;

FIG. 8 is a perspective view of a decorative wall block of a third embodiment, the sole difference from the decorative wall block of the second embodiment is that the front corners of the block have quarter square voids therein;

FIG. 9 is a perspective view of a decorative wall block of a fourth embodiment, the sole difference from the decorative wall block of the first embodiment is the addition of a void channel shown in the top and right side of the block, it being understood that the left side has a similar void channel therein;

FIG. 10 is a top plan view showing a void channel and set of openings therethrough;

FIG. 11 is a greatly enlarged left side elevation view, the block having a pair of void channels therein;

FIG. 12 is a greatly enlarged right side elevation view, showing a similar pair of void channels therein;

FIG. 13 is a perspective view of a decorative wall block of a fifth embodiment, the sole difference from the decorative wall block of block the fourth embodiment indicated with a bracket, showing the block as one of intermediate length;

FIG. 14 is a perspective view of a decorative wall block of a sixth embodiment, the sole difference from the decorative wall block of the fifth embodiment is that the quarter round voids in the front corners of the block have been replaced with quarter square voids therein;

FIG. 15 is a perspective view of a decorative wall block of a seventh embodiment, the sole difference from the decorative wall block of the first embodiment is the addition of the decorative design in the top of the block;

FIG. 16 is an enlarged top plan view showing decorative design therein;

FIG. 17 is a perspective view of a decorative wall block of an eighth embodiment, the sole difference from the decorative wall block of the seventh embodiment is the addition of a visible void channel opening at the bottom of the right side, it being understood that the left side of the block has a similar opening that is visible;

FIG. 18 is a perspective view of a decorative wall block of a ninth embodiment, the sole difference from the decorative wall block of the fifth embodiment is that the void channel in the top of the block has been replaced with the decorative design shown therein; and,

FIG. 19 is a perspective view of a decorative wall block of a tenth embodiment, the sole difference from the decorative wall block of the sixth embodiment is that the void channel in the top of the block has been replaced with the decorative design shown therein.

1 Claim, 10 Drawing Sheets

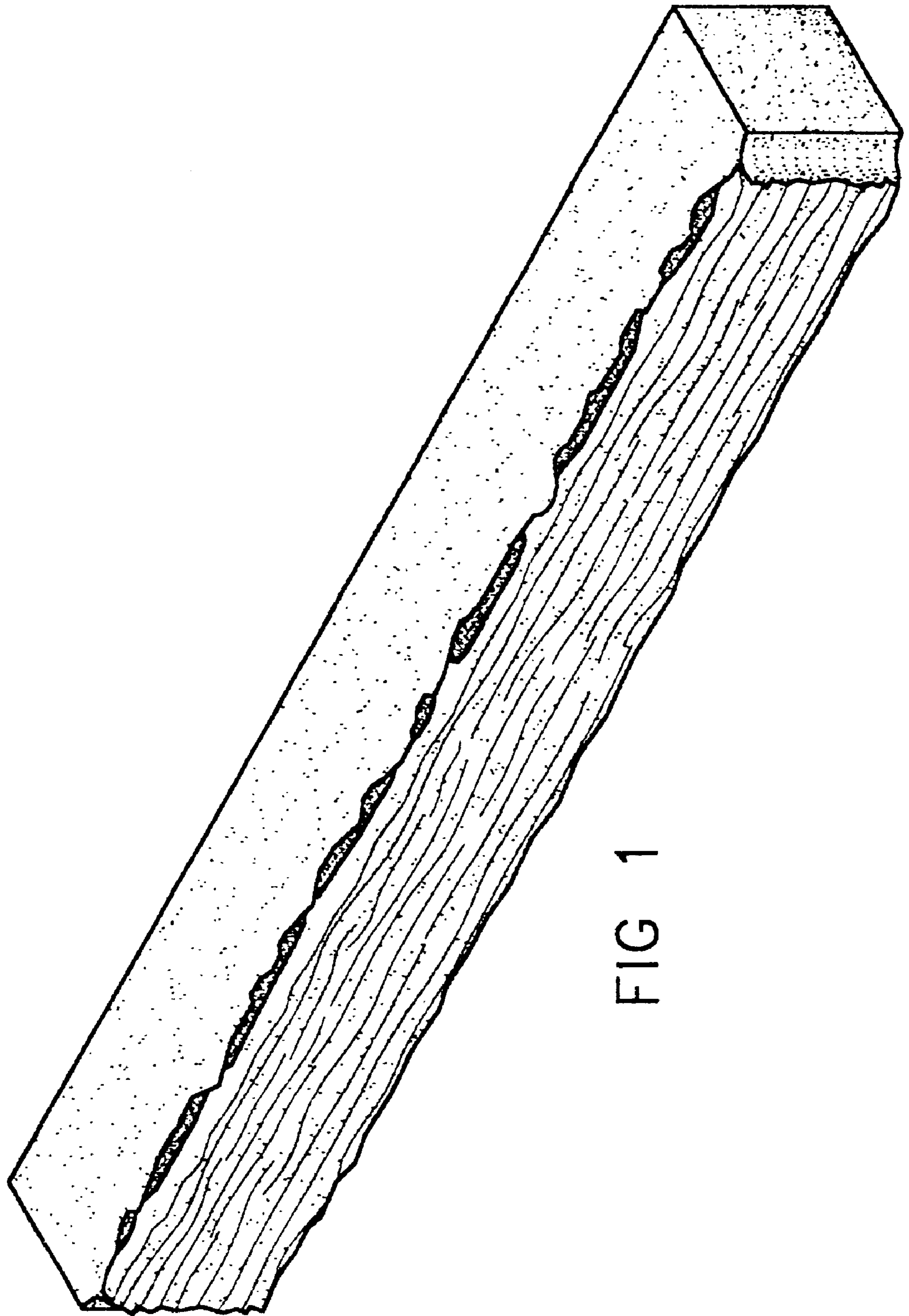


FIG 1

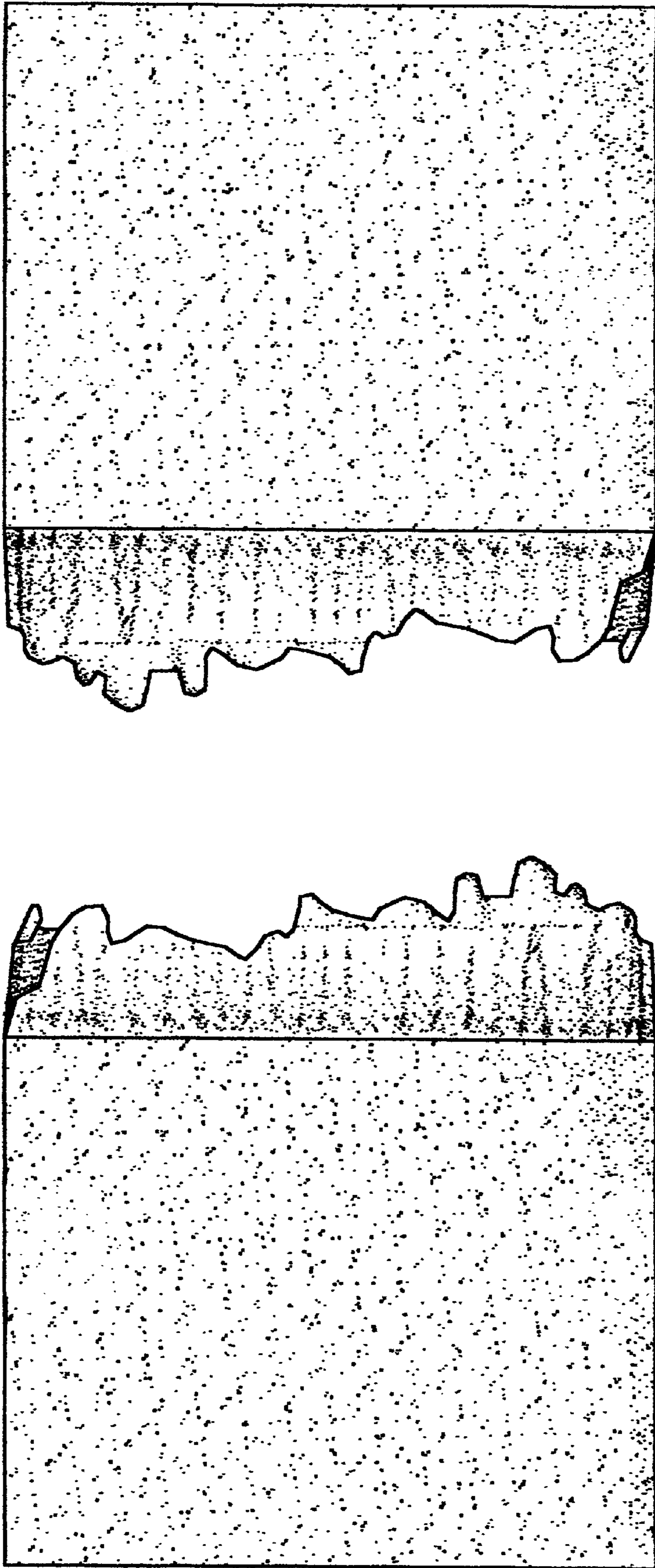


FIG 3

FIG 2



FIG 4

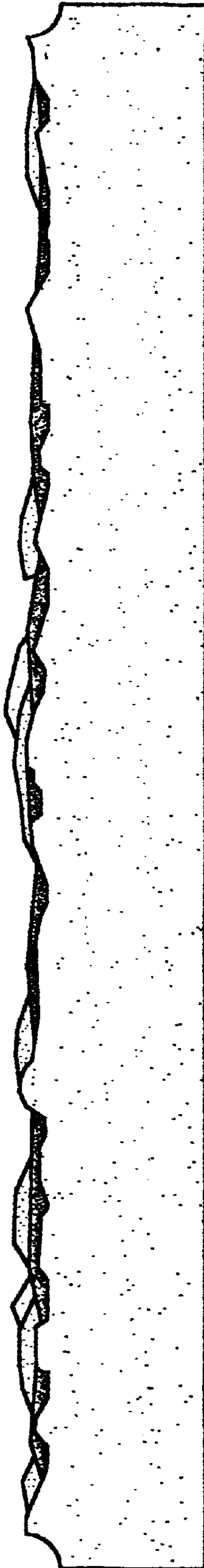


FIG 5

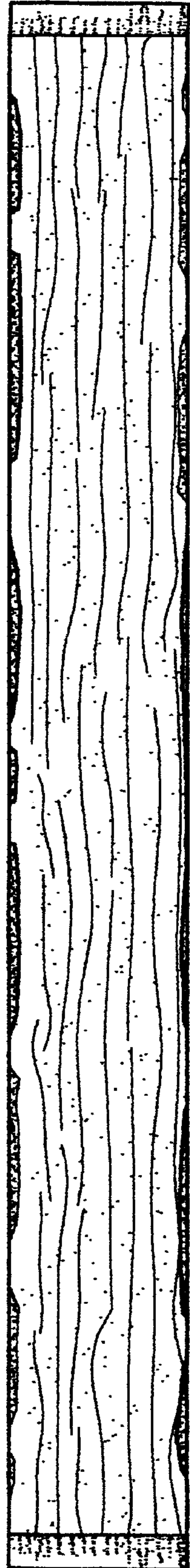


FIG 6

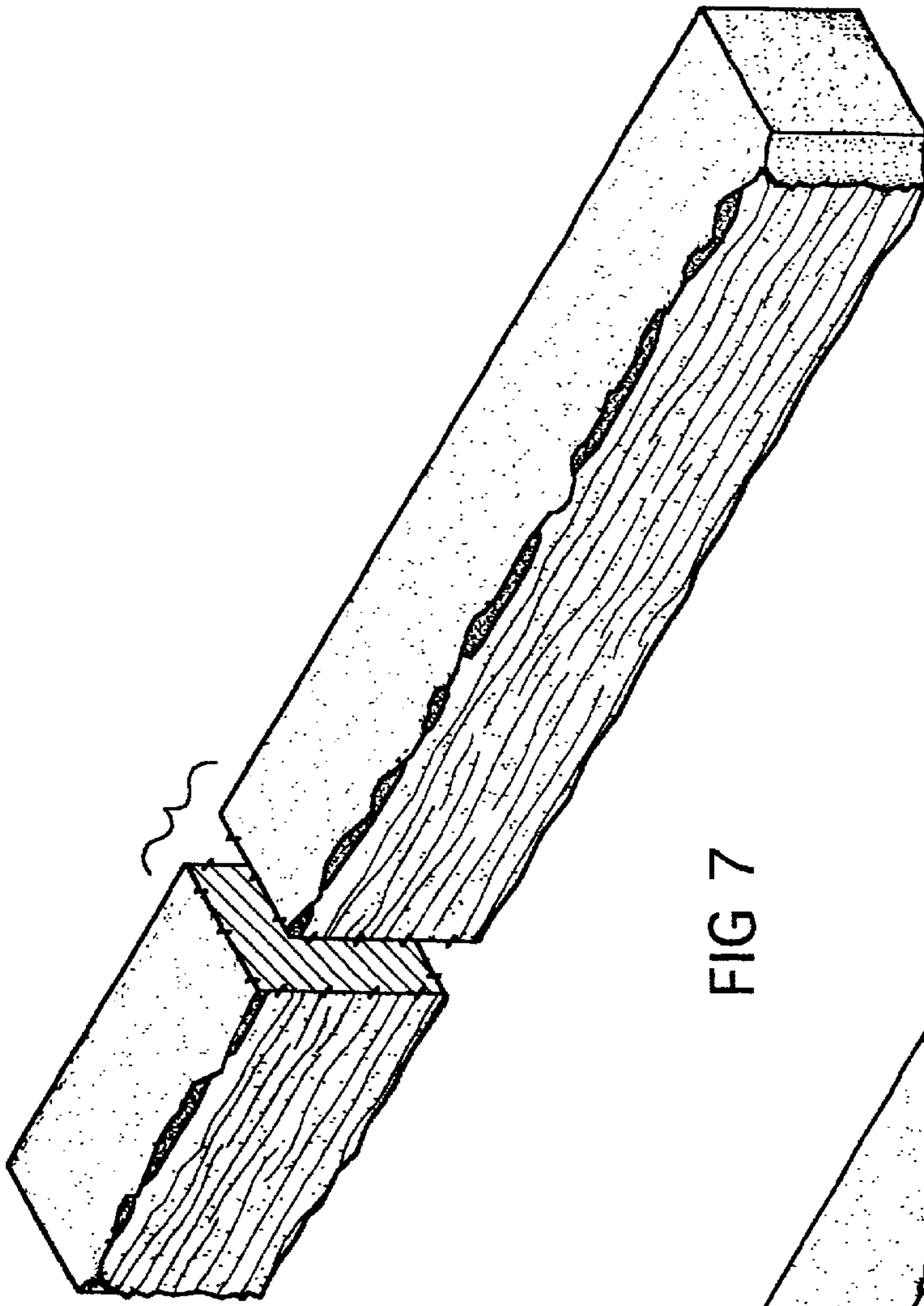


FIG 7

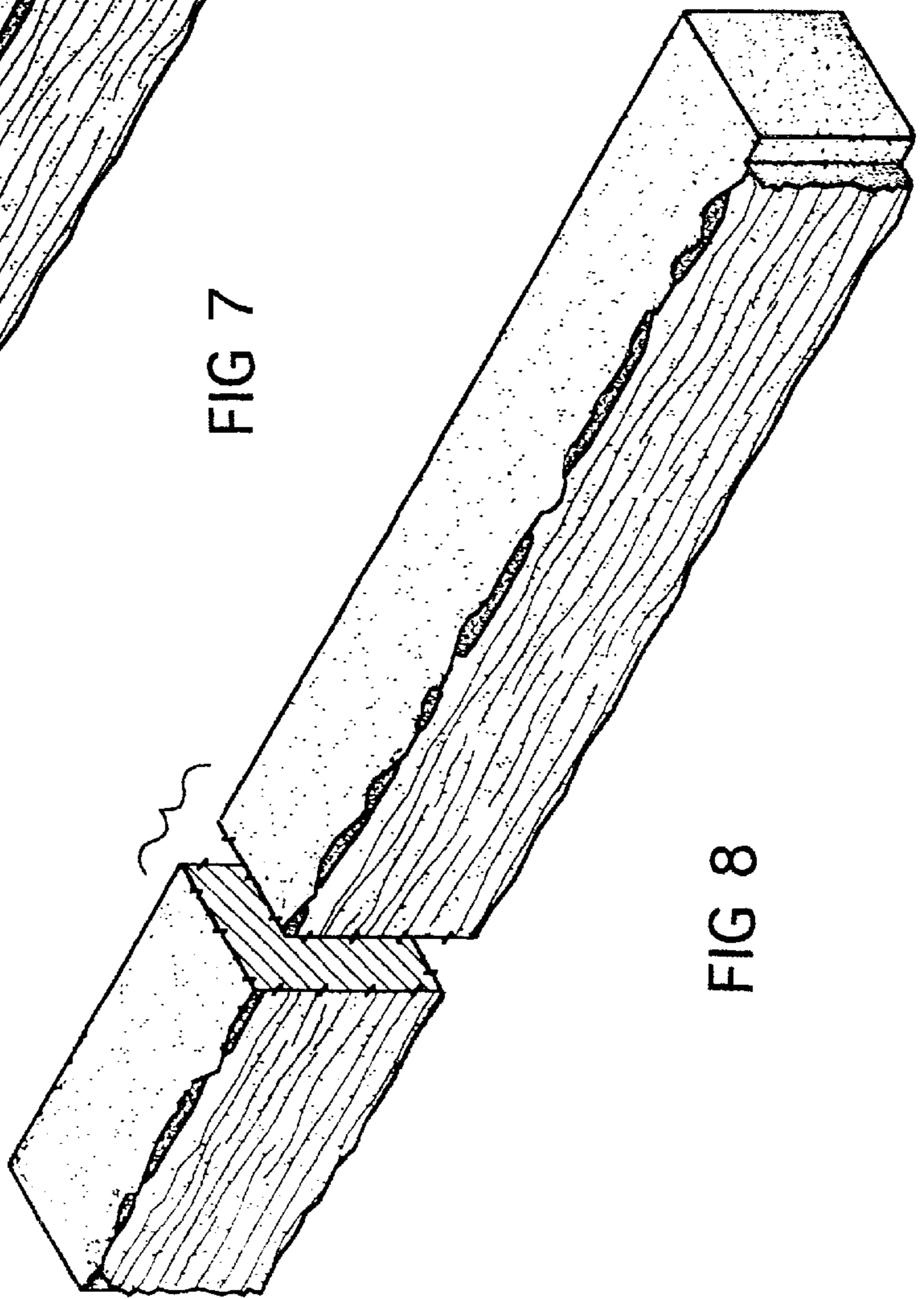


FIG 8

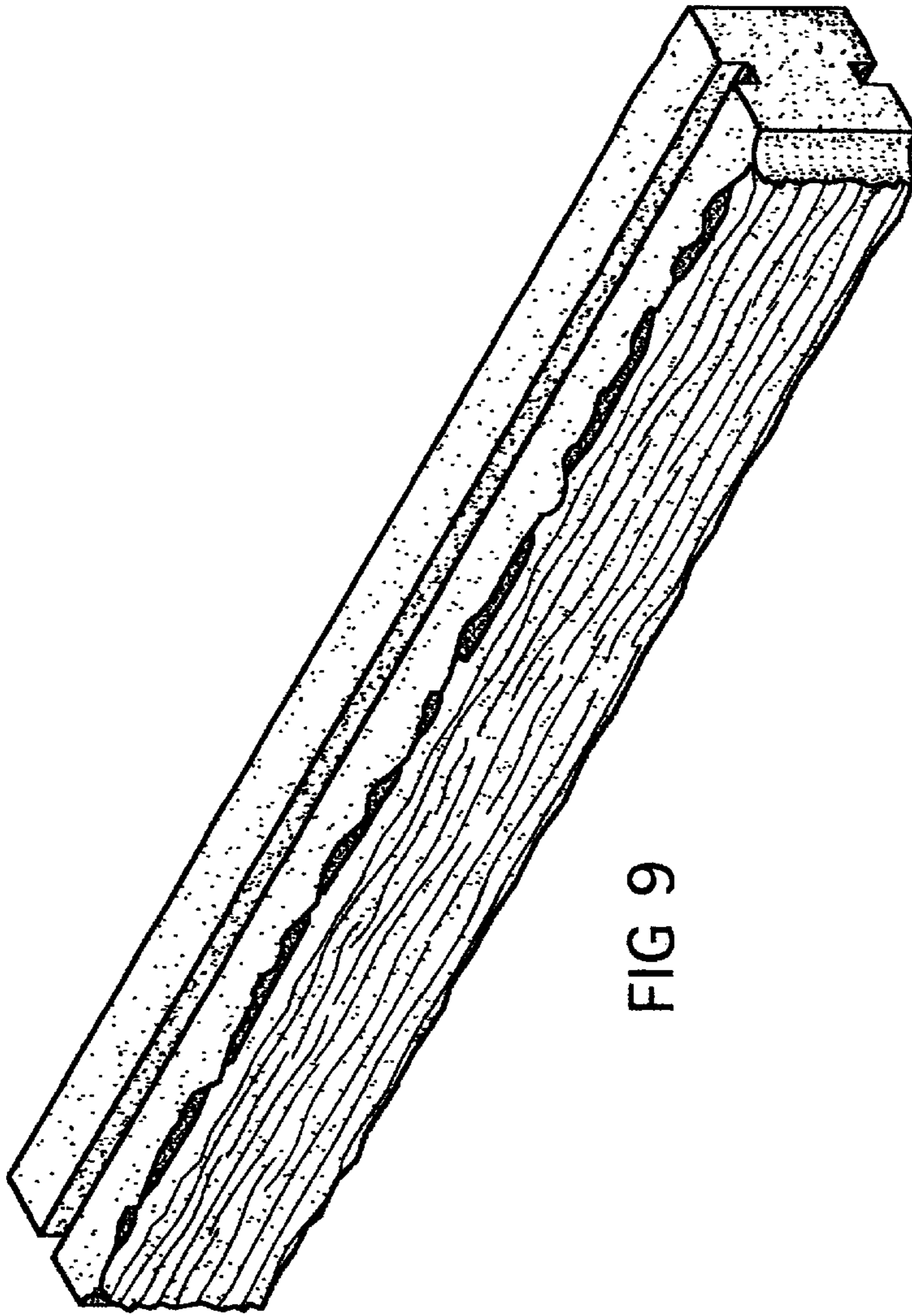


FIG 9

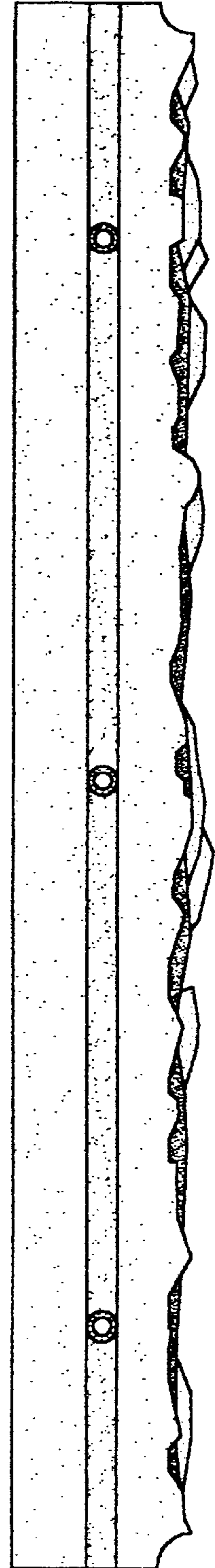


FIG 10

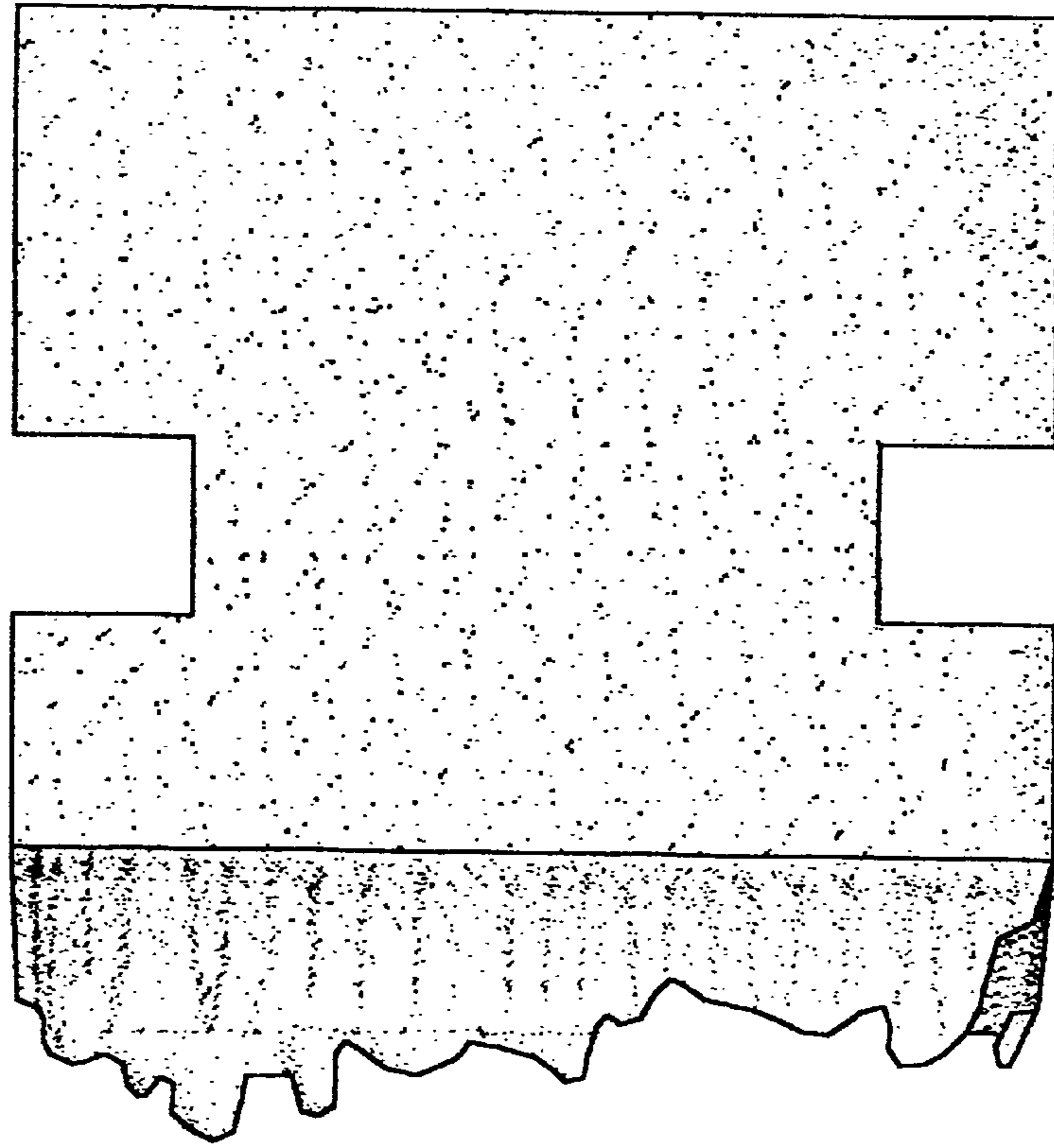


FIG 12

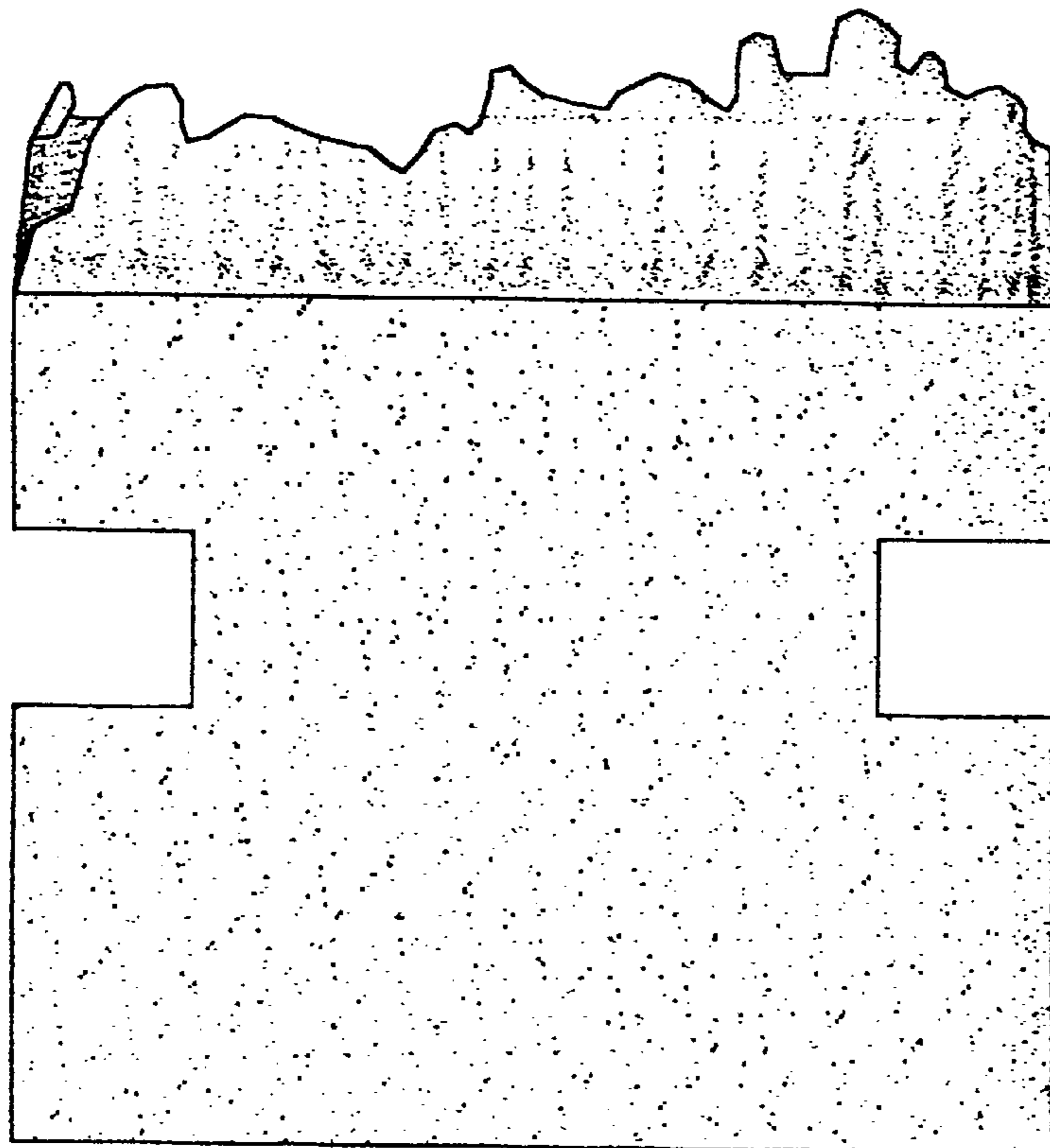


FIG 11

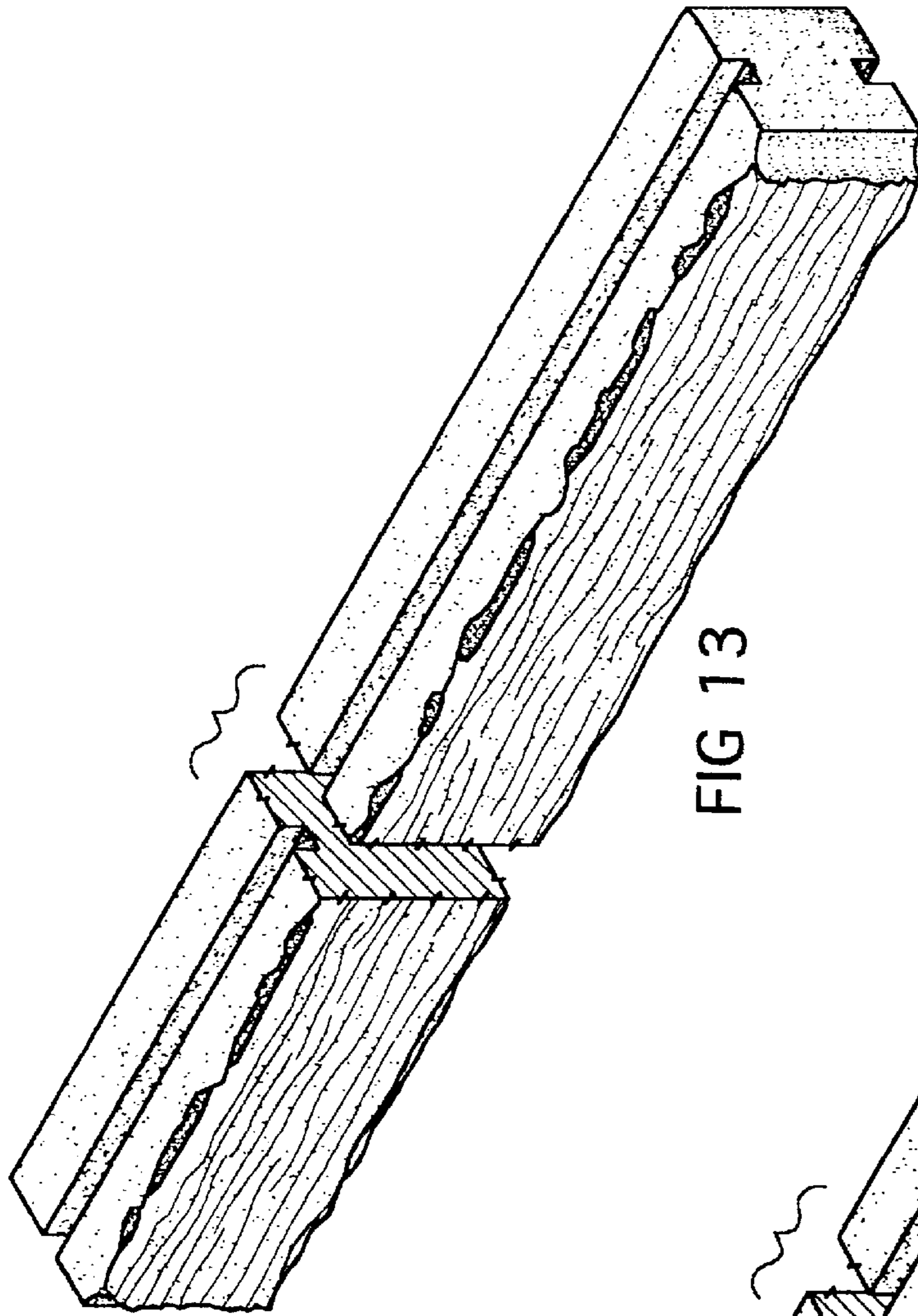


FIG 13

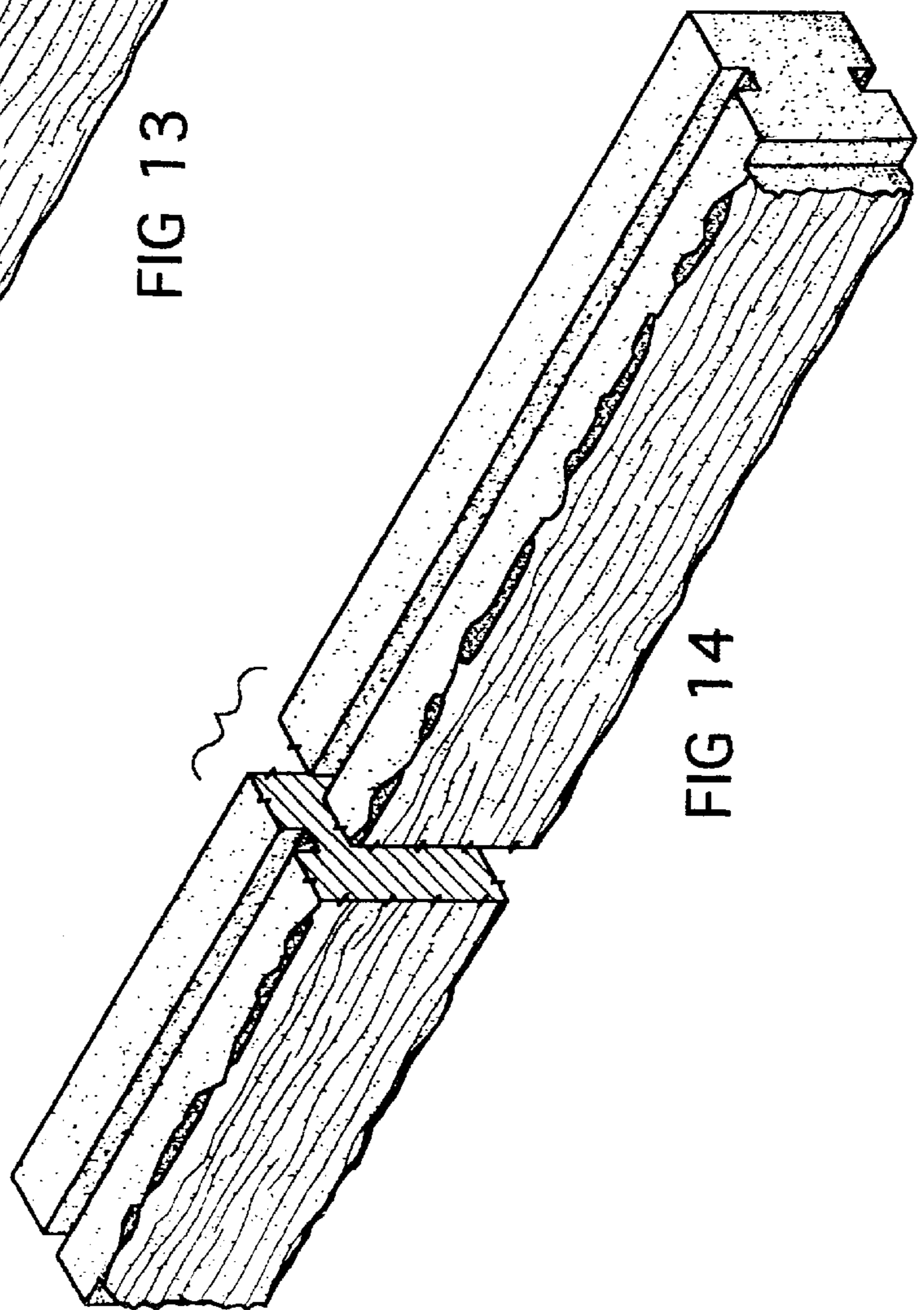


FIG 14

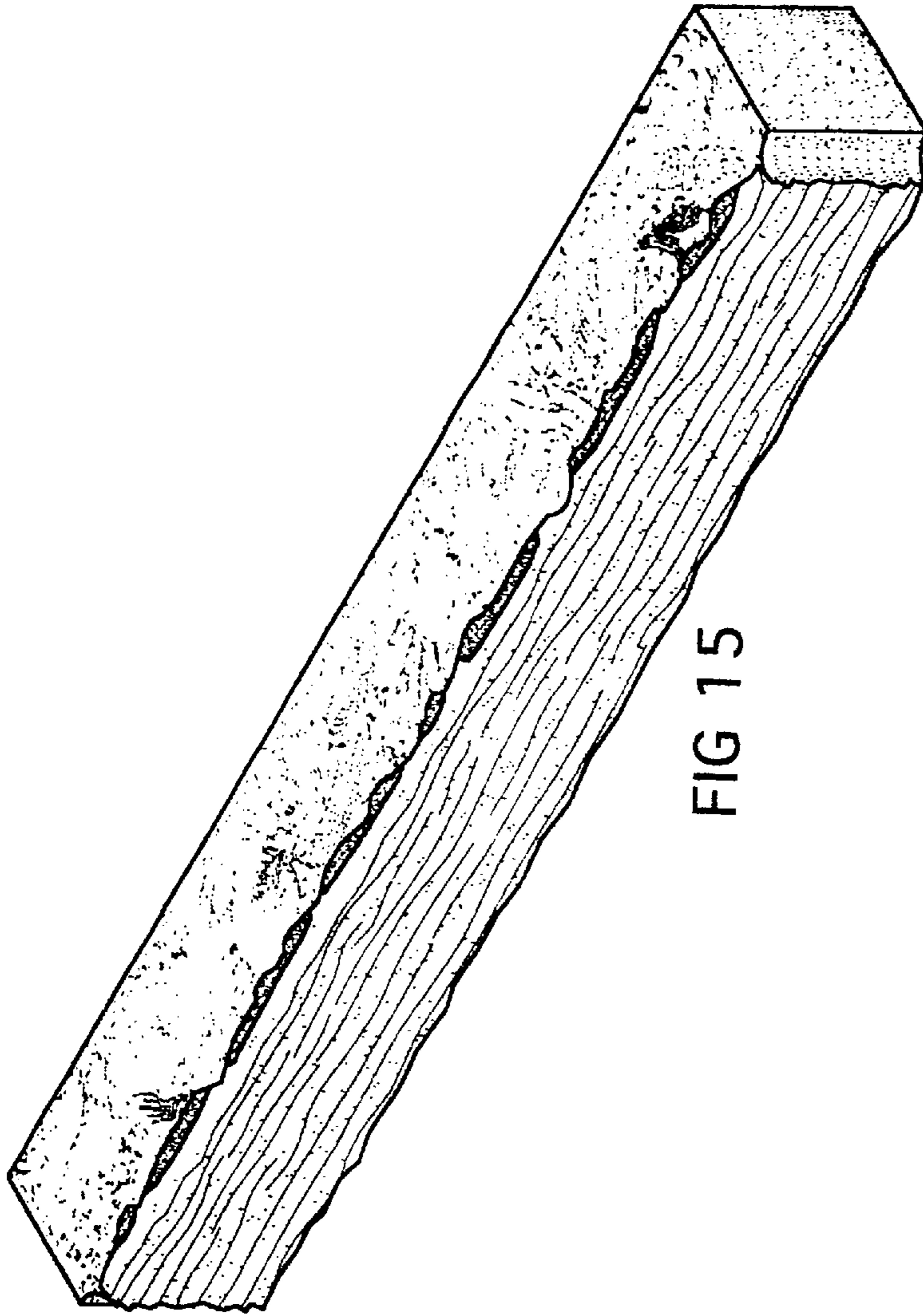


FIG 15



FIG 16

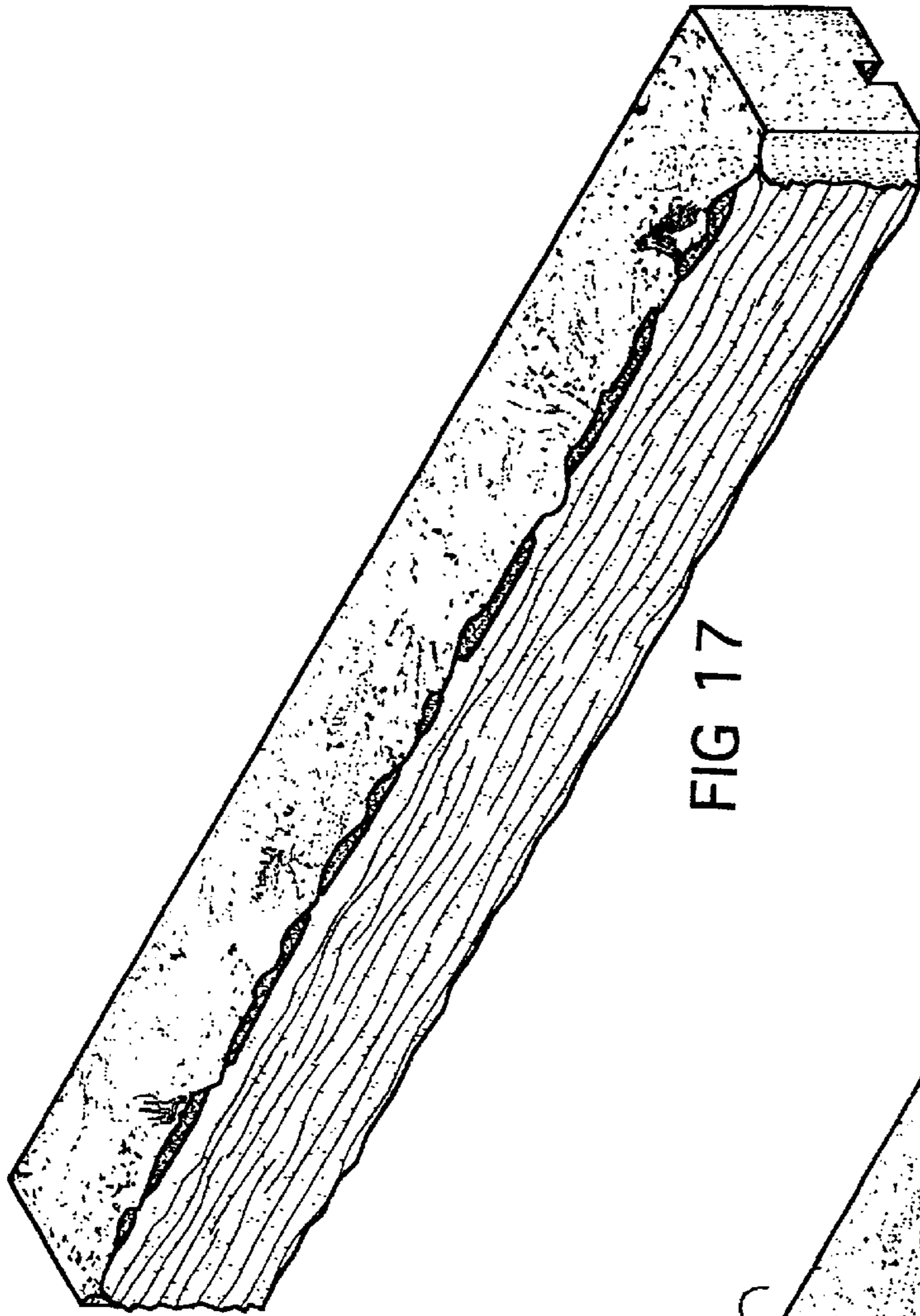


FIG 17

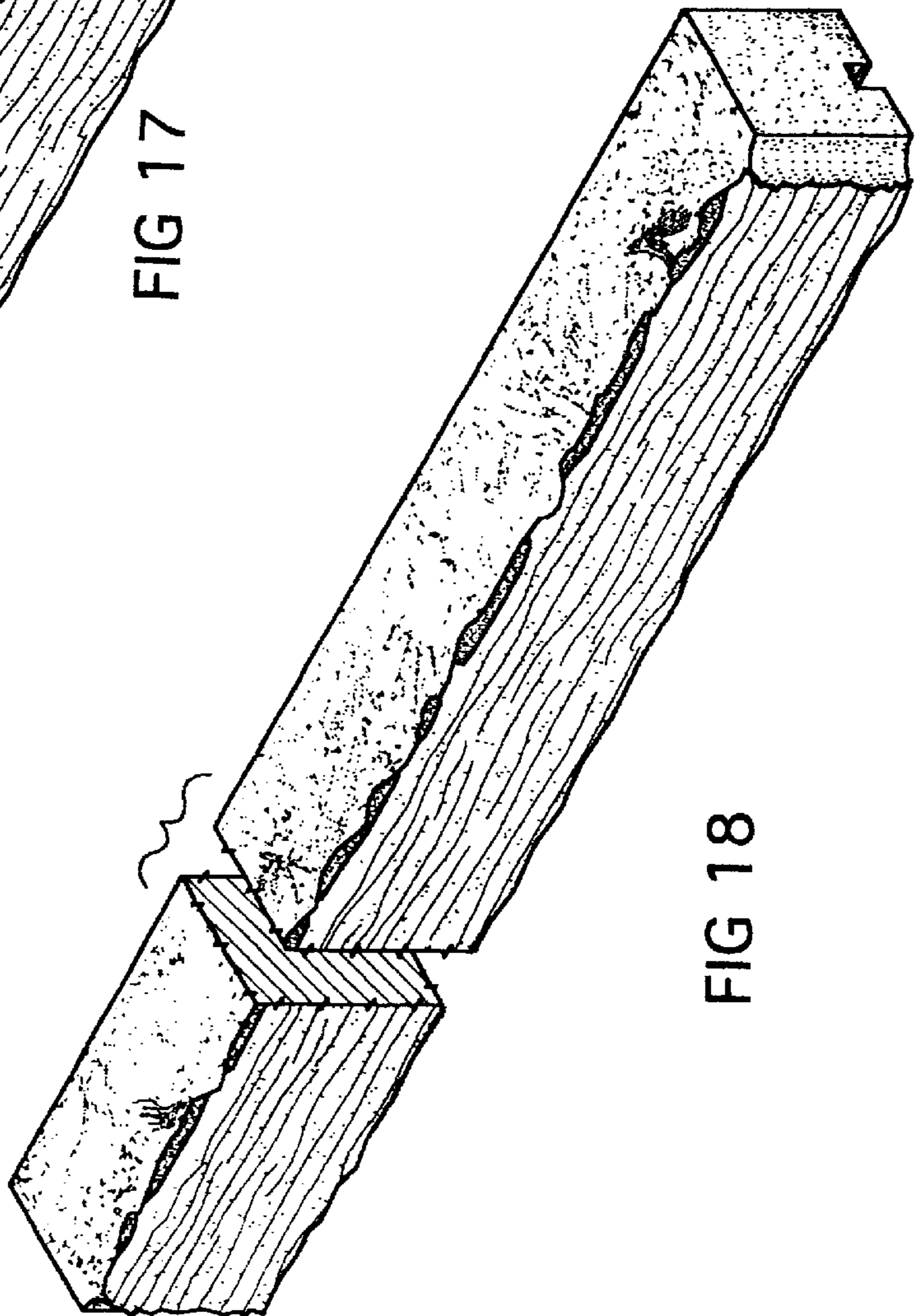


FIG 18

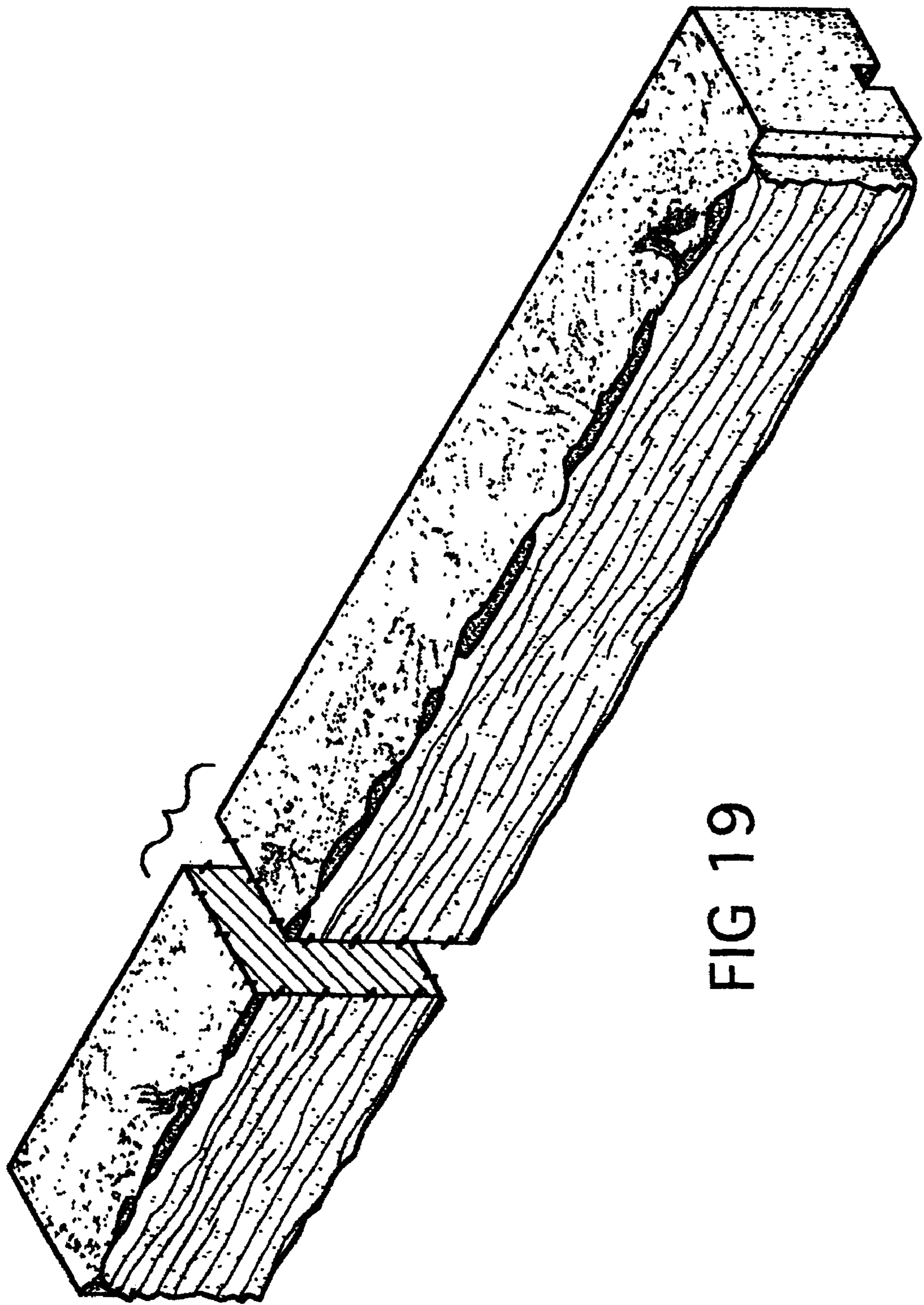


FIG 19