



US00D448851B1

(12) **United States Design Patent**
Louis

(10) **Patent No.:** **US D448,851 S**

(45) **Date of Patent:** **** Oct. 2, 2001**

(54) **MESSAGE TOOL**

(75) Inventor: **John G. Louis**, Northfield, IL (US)

(73) Assignee: **Acuforce International, Inc.**,
Winnetka, IL (US)

(**) Term: **14 Years**

(21) Appl. No.: **29/128,499**

(22) Filed: **Aug. 28, 2000**

(51) **LOC (7) Cl.** **28-03**

(52) **U.S. Cl.** **D24/211; D24/214**

(58) **Field of Search** D24/200, 211,
D24/214; 601/27, 118, 120, 121, 128, 131,
134, 135, 136, 137

(56) **References Cited**

U.S. PATENT DOCUMENTS

D. 248,493	*	7/1978	Moncrief	D24/211
D. 269,375	*	6/1983	Masuda	D24/211
D. 271,051	*	10/1983	McCoy et al.	D24/211
D. 347,898	*	6/1994	Belcher	D24/211
D. 398,400	*	9/1998	Havelind	D24/211
3,616,794	*	11/1971	Gromala	601/120
4,173,217		11/1979	Johnston	.	
4,345,757		8/1982	Lovoi	.	

4,433,683	*	2/1984	McCoy et al.	601/120
4,712,539	*	12/1987	Kim	601/120
4,832,006		5/1989	Kirsch et al.	.	
5,577,996	*	11/1996	Gardner et al.	601/120

* cited by examiner

Primary Examiner—Stella Reid

(57) **CLAIM**

The ornamental design for the massage tool, as shown and described.

DESCRIPTION

Applicant claims the benefit of the priority date of co-pending U.S. Application, Ser. No. 09/379,028, filed on Aug. 23, 1999.

FIG. 1 is a perspective view of a massage tool according to the invention.

FIG. 2 is a side elevation view of the massage tool of FIG. 1.

FIG. 3 is a top plan view of the massage tool of FIG. 1.

FIG. 4 is a left end elevation view of the massage tool of FIG. 1; and,

FIG. 5 is a right end elevation view of the massage tool of FIG. 1.

1 Claim, 1 Drawing Sheet

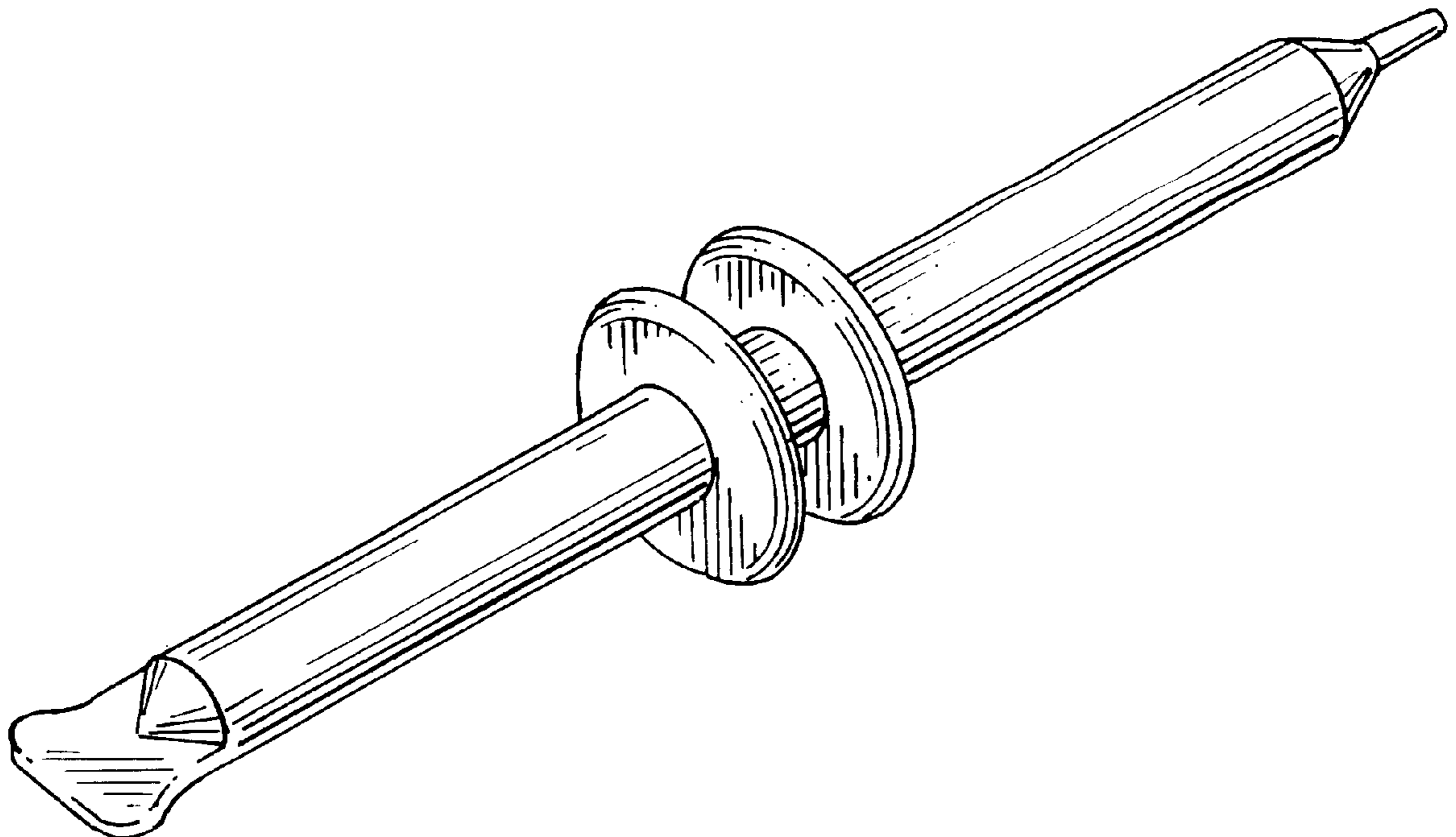


FIG. 1

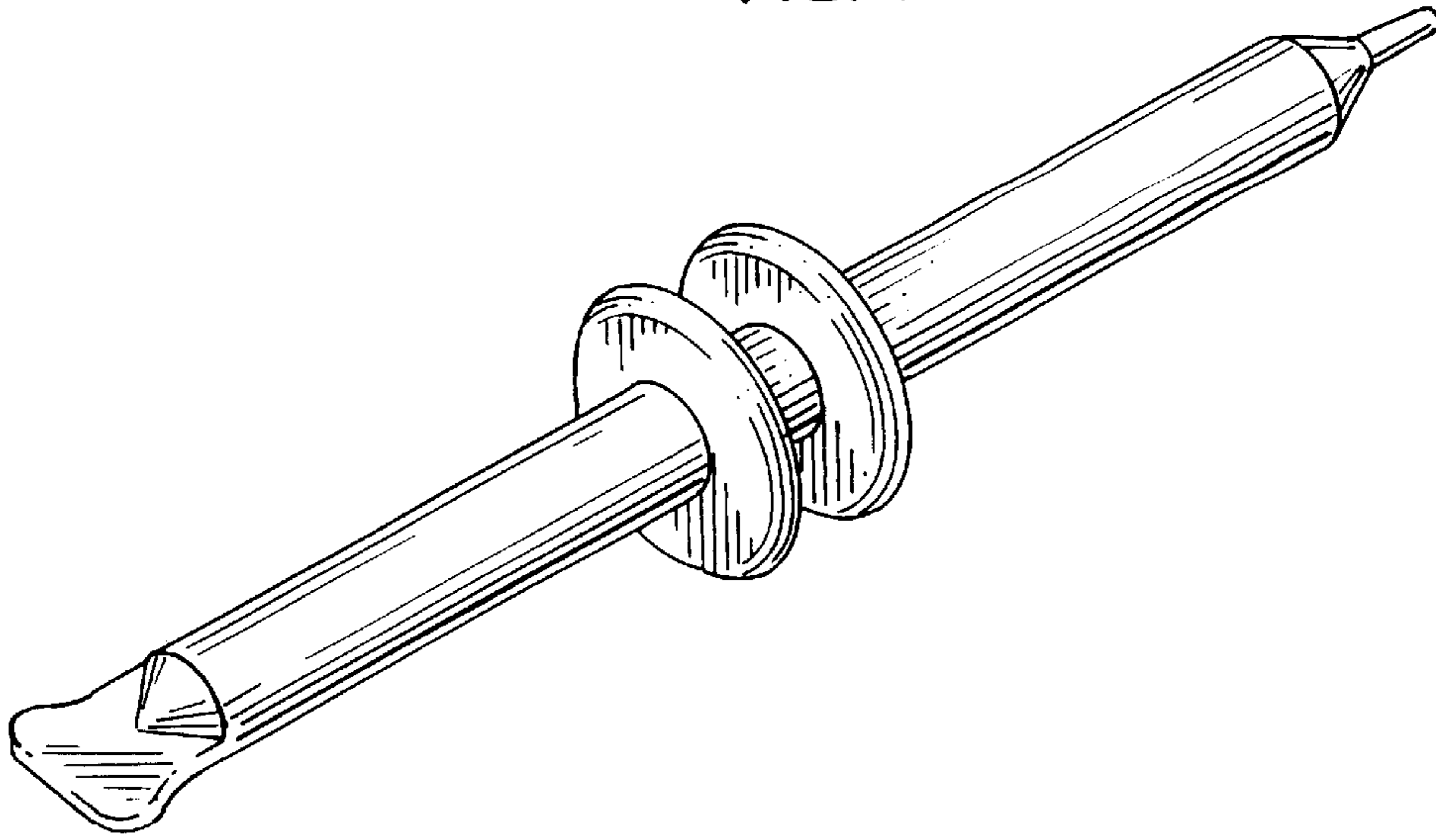


FIG. 2

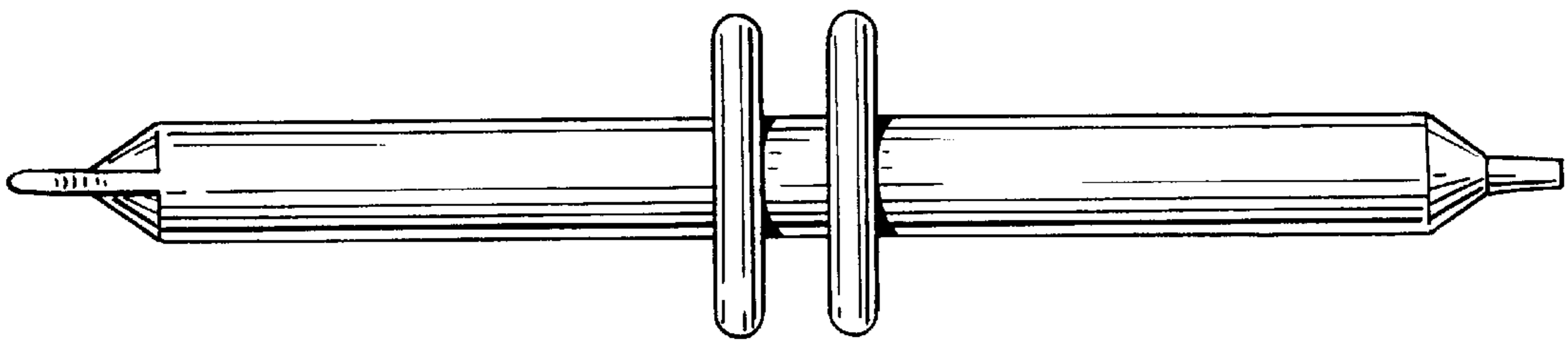


FIG. 3

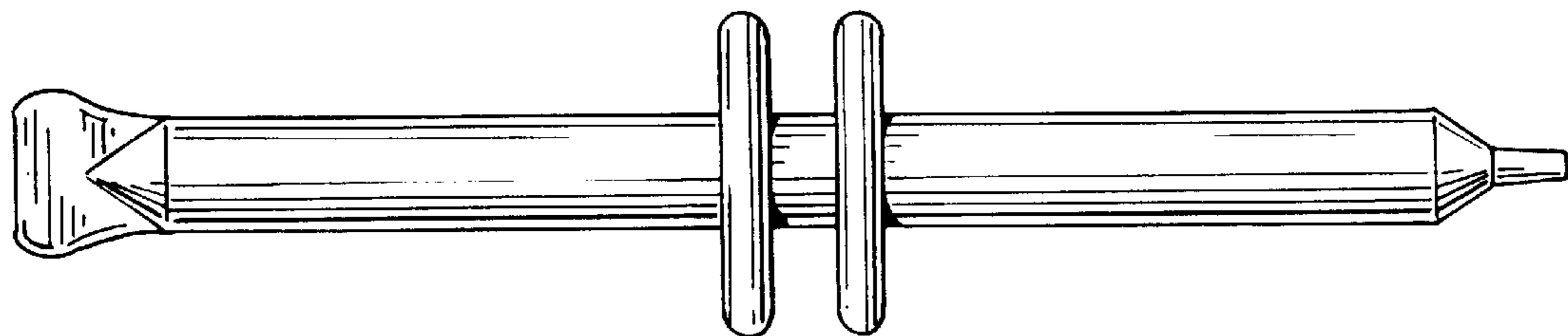


FIG. 4

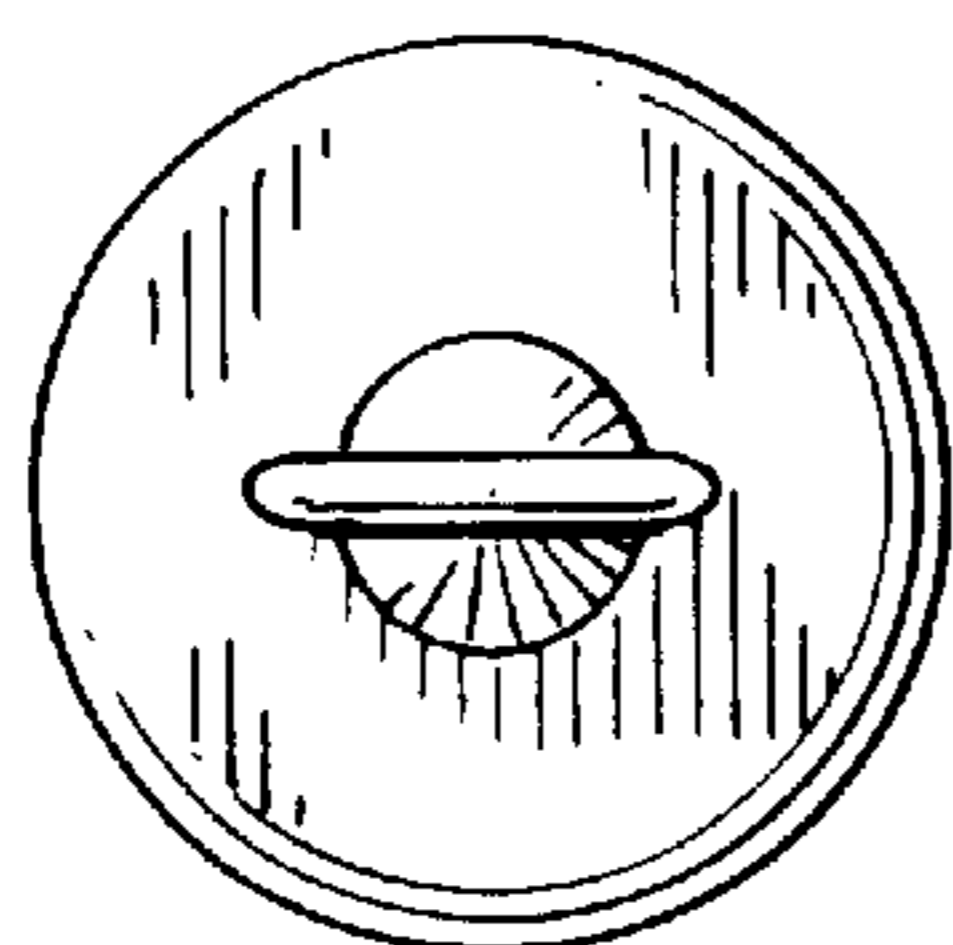


FIG. 5

