



US00D448849B1

(12) **United States Design Patent**
Laupper

(10) **Patent No.:** **US D448,849 S**

(45) **Date of Patent:** **** Oct. 2, 2001**

(54) **X-RAY UNIT**

(75) **Inventor:** **Ruedi G. Laupper, Hitzkirch (CH)**

(73) **Assignee:** **Swissray Medical AG, Hitzkirch (CH)**

(**) **Term:** **14 Years**

(21) **Appl. No.:** **29/123,481**

(22) **Filed:** **May 19, 2000**

(30) **Foreign Application Priority Data**

Nov. 19, 1999 (CH) 126547

(51) **LOC (7) Cl.** **24-01**

(52) **U.S. Cl.** **D24/158**

(58) **Field of Search** D24/158; 378/198,
378/197, 196, 193, 190, 40

(56) **References Cited**

U.S. PATENT DOCUMENTS

D. 323,892 * 2/1992 Spoljaric D24/158

D. 342,137 * 12/1993 Guentner D24/158
D. 417,503 * 12/1999 Spoljaric D24/158
4,887,287 * 12/1989 Cobben 378/198
5,008,921 * 4/1991 Kaul et al. 378/198
5,642,392 * 6/1997 Nakano et al. 378/38

* cited by examiner

Primary Examiner—Stella Reid

(74) *Attorney, Agent, or Firm*—Shoemaker and Mattare

(57) **CLAIM**

The ornamental design for an x-ray unit, as shown and described.

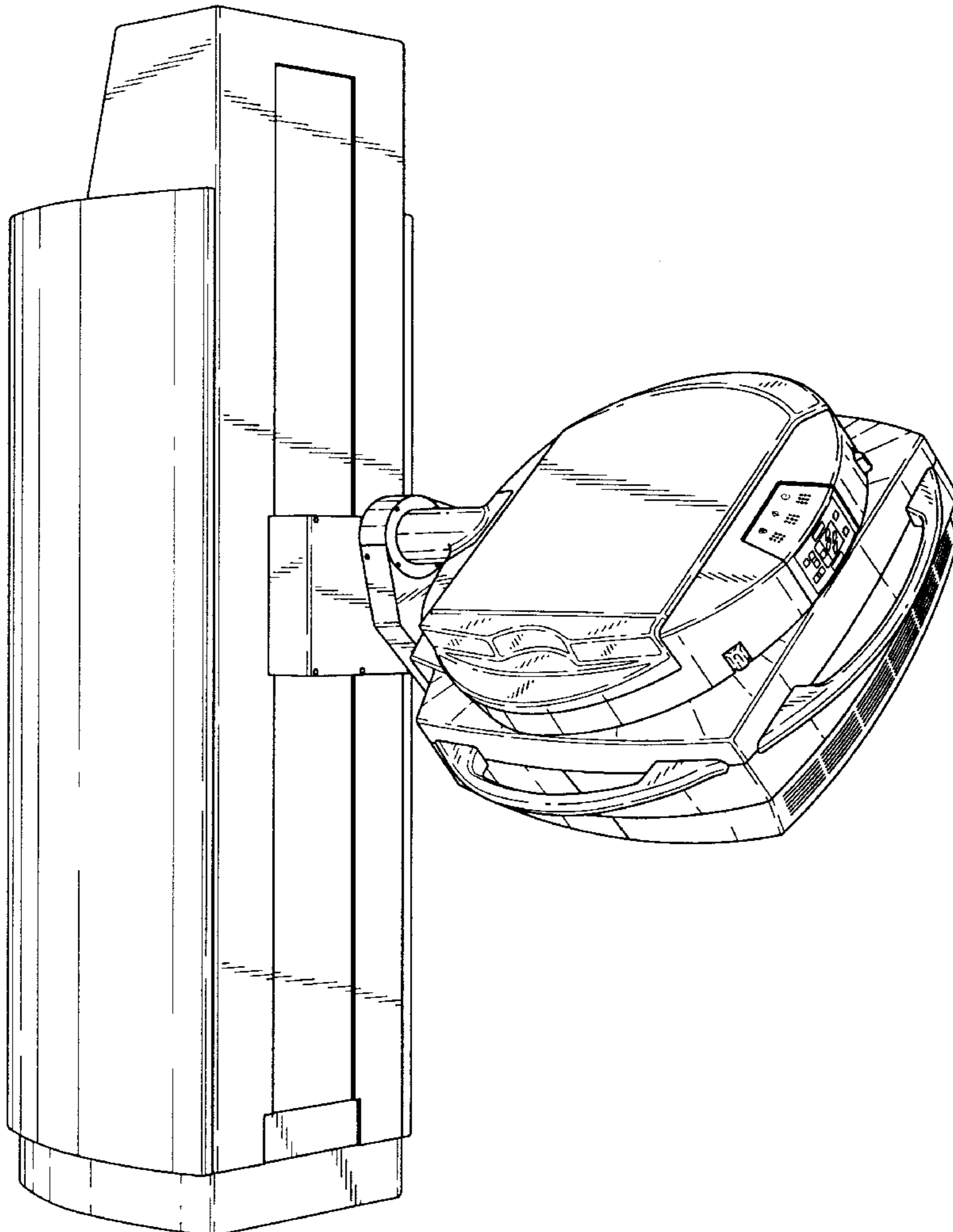
DESCRIPTION

FIG. 1 is a perspective view of an x-ray unit, showing my new design from the front and right side thereof;

FIG. 2 is a front elevation thereof; and,

FIG. 3 is a left side elevation thereof.

1 Claim, 3 Drawing Sheets



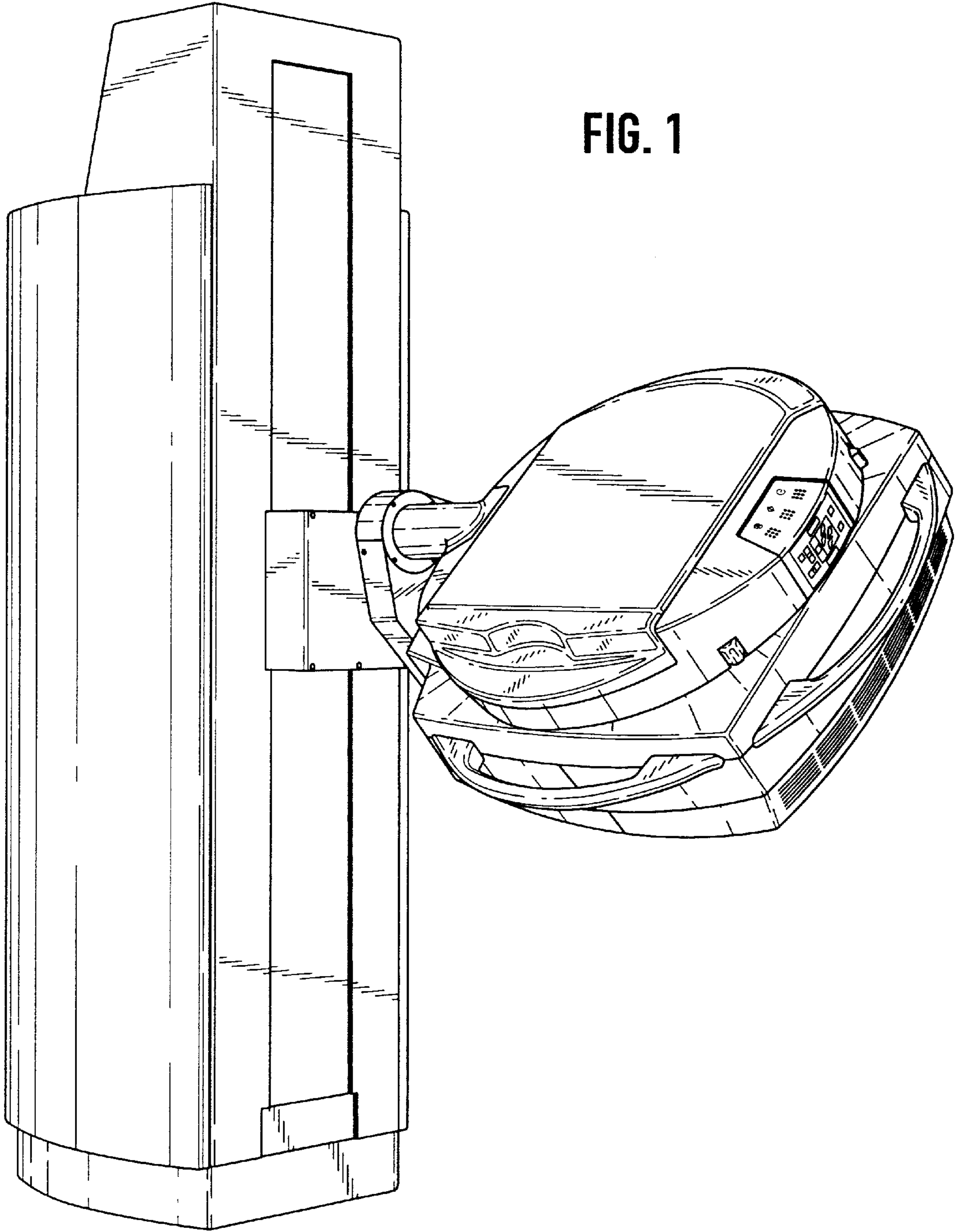


FIG. 1

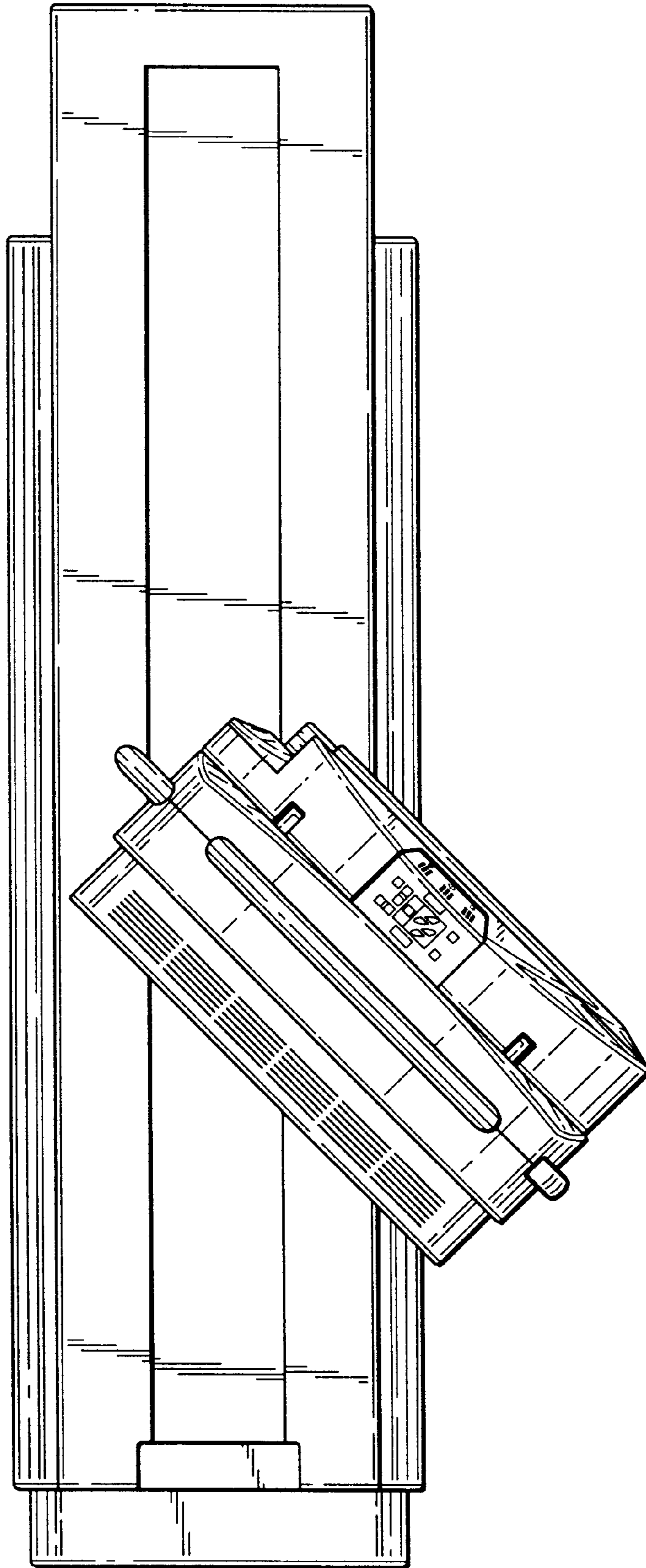


FIG. 2

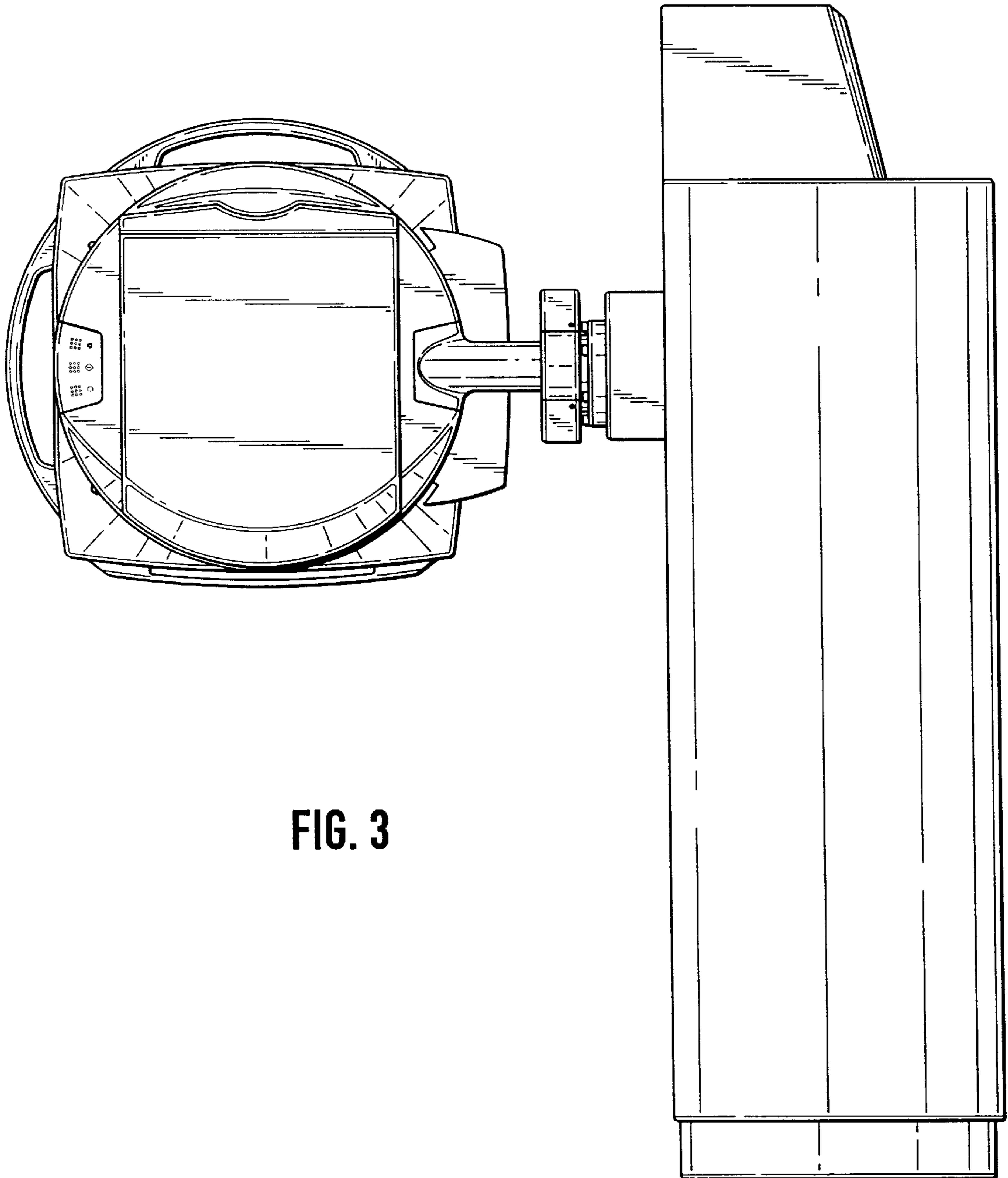


FIG. 3