



US00D448844B1

(12) **United States Design Patent**
Reis

(10) **Patent No.:** **US D448,844 S**

(45) **Date of Patent:** **** Oct. 2, 2001**

(54) **MEDICINE DOSER**

(75) Inventor: **Carlos Cezar Barros Reis**, Rio de Janeiro (BR)

(73) Assignee: **Agaplastic Ind. Com. Ltda.**, Rio de Janeiro (BR)

(**) Term: **14 Years**

(21) Appl. No.: **29/130,670**

(22) Filed: **Oct. 6, 2000**

(30) **Foreign Application Priority Data**

Jun. 5, 2000 (BR) DI 6001343

(51) **LOC (7) Cl.** **24-02**

(52) **U.S. Cl.** **D24/114; D24/112**

(58) **Field of Search** D24/114, 112, D24/130, 113; D21/452, 451; 604/191, 82, 193, 236, 218, 77, 210, 79, 234

(56) **References Cited**

U.S. PATENT DOCUMENTS

D. 306,069	*	2/1990	Kelly et al.	D24/114
3,299,891	*	1/1967	Smeton	D24/114
3,572,337	*	3/1971	Schunk	D24/112
5,169,253	*	12/1992	Tsao	D21/452
5,300,024		4/1994	Yang	.	
5,431,680	*	7/1995	Jones	606/236

FOREIGN PATENT DOCUMENTS

MU 6802759
U 8/1989 (BR) .

MI 5500571-3
S 8/1995 (BR) .
PI 9501277-0
A 5/1997 (BR) .
0295143 A2 12/1988 (EP) .
WO 92/00717 1/1992 (WO) .

* cited by examiner

Primary Examiner—Ian Simmons
(74) *Attorney, Agent, or Firm*—Woodard, Emhardt, Naughton, Moriarty & McNett; Clifford W. Browning

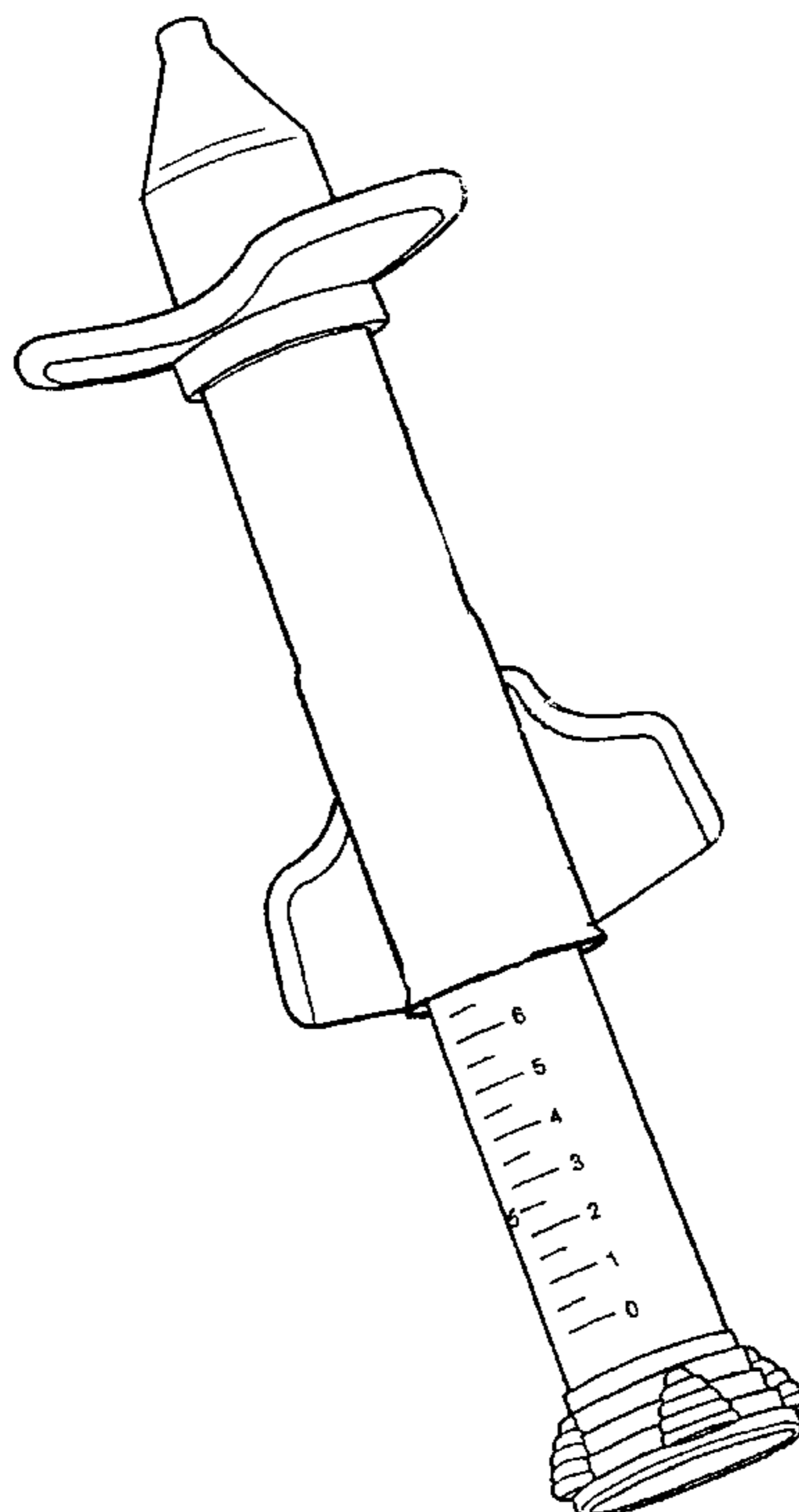
(57) **CLAIM**

The ornamental design for a medicine doser, as shown and described.

DESCRIPTION

FIG. 1 is a perspective view of a medicine doser showing my new design;
FIG. 2 is a left side perspective view of the barrel portion of the medicine doser of FIG. 1;
FIG. 3 is a right side view thereof;
FIG. 4 is a front side view thereof;
FIG. 5 is a rear side view thereof;
FIG. 6 is a top plan view thereof;
FIG. 7 is a bottom plan view thereof;
FIG. 8 is a right side perspective view of the plunger portion of the medicine doser of FIG. 1;
FIG. 9 is a right side view thereof;
FIG. 10 is a top plan view thereof; and,
FIG. 11 is a bottom plan view thereof.

1 Claim, 7 Drawing Sheets



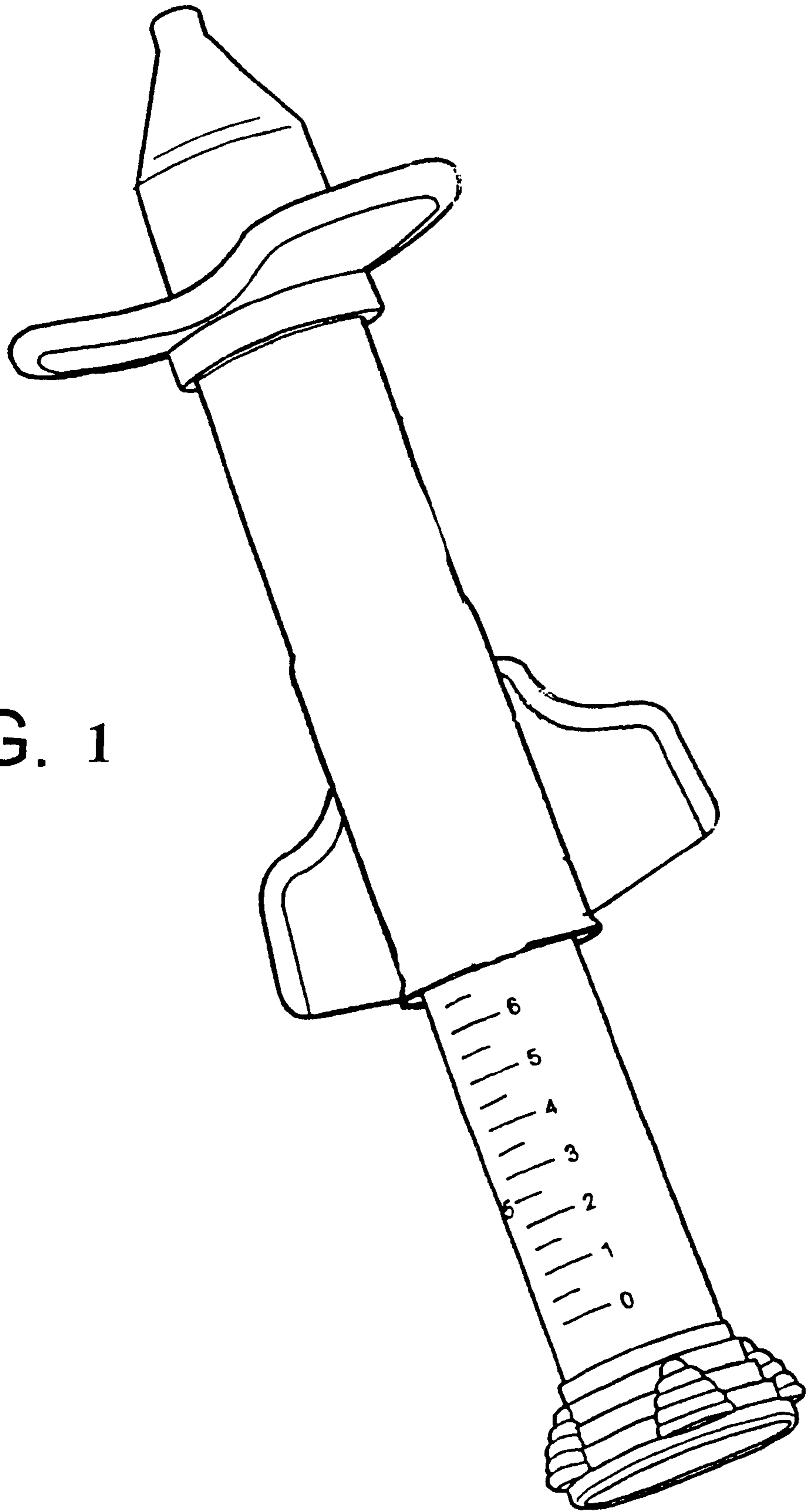


FIG. 1

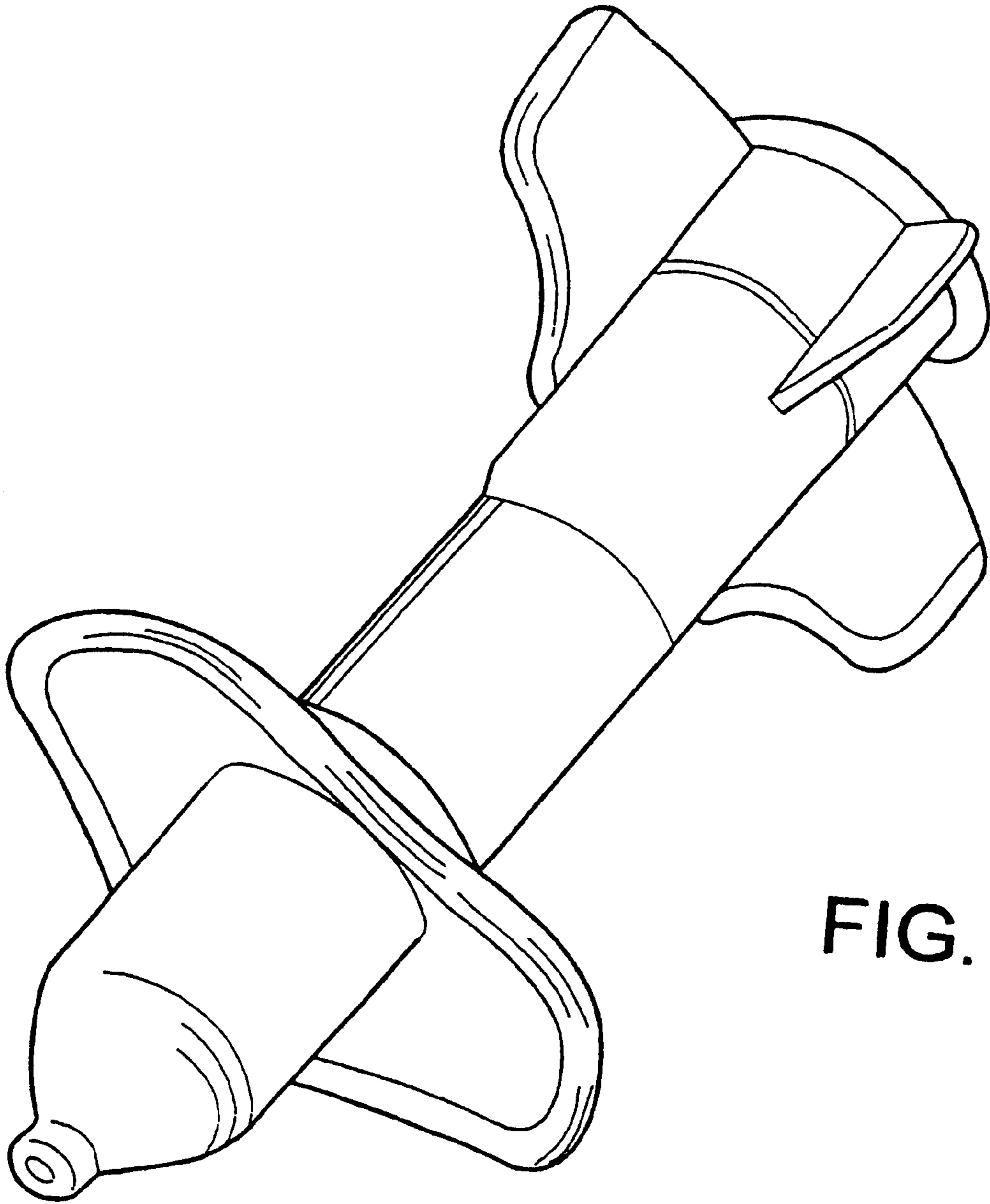


FIG. 2

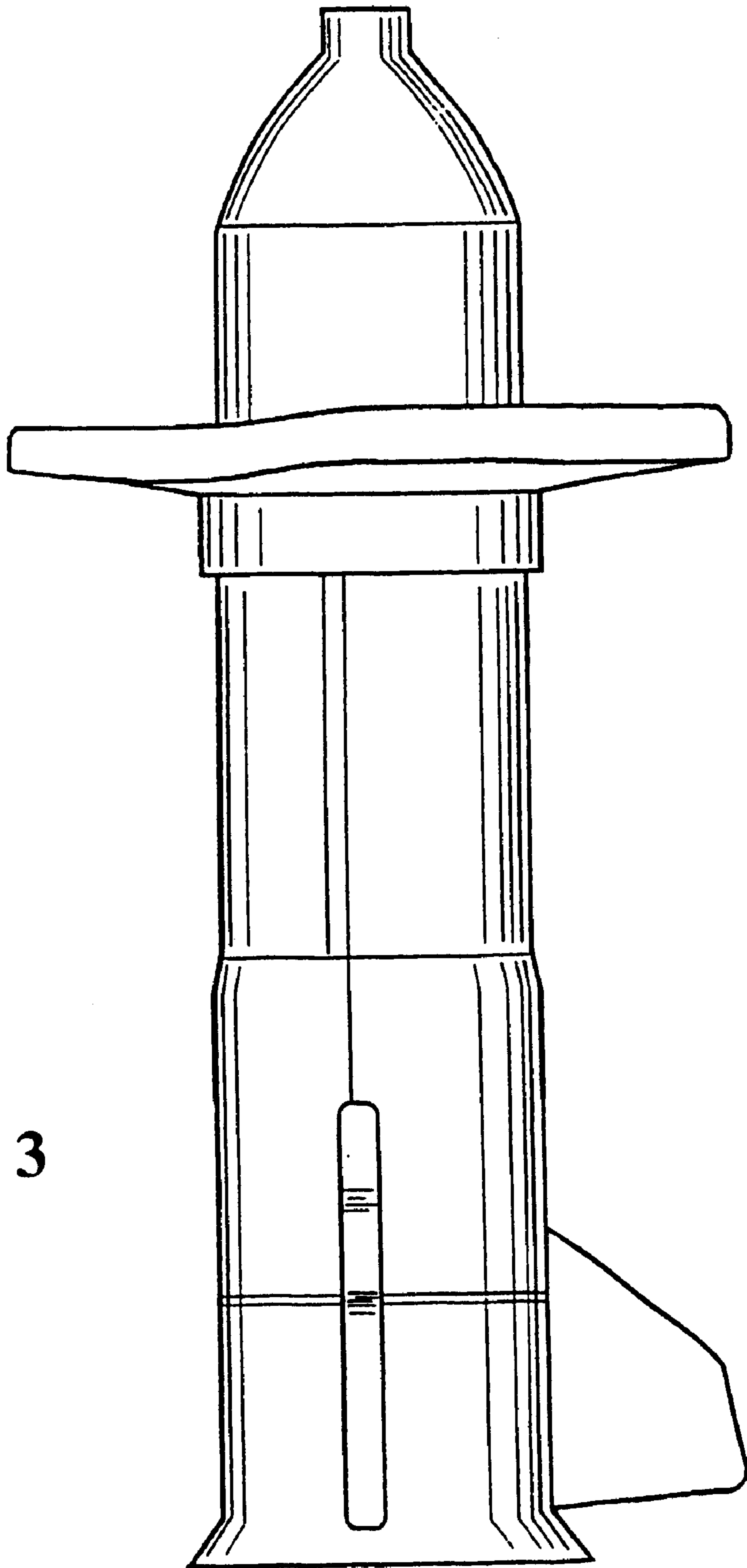


FIG. 3

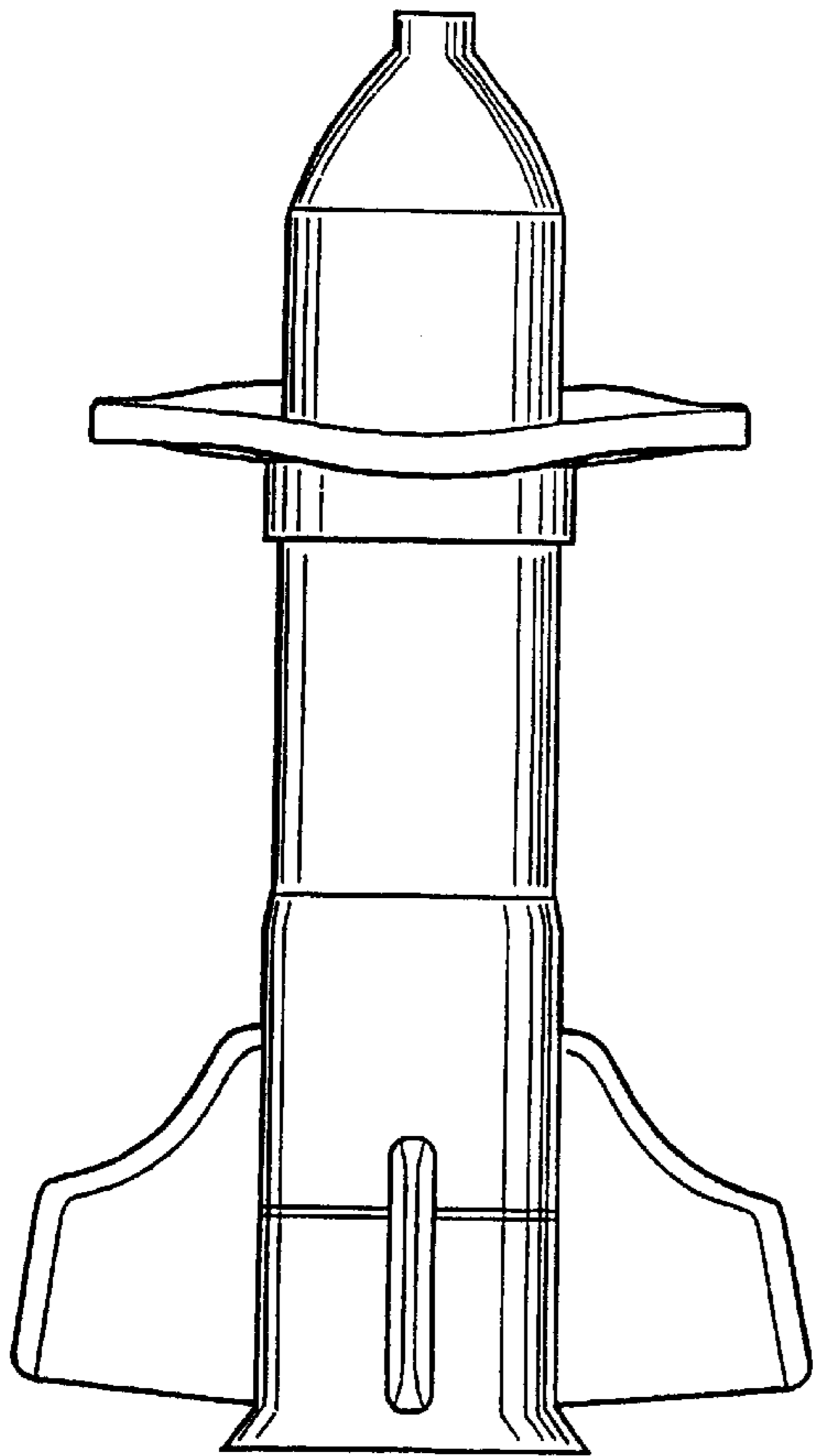


FIG. 4

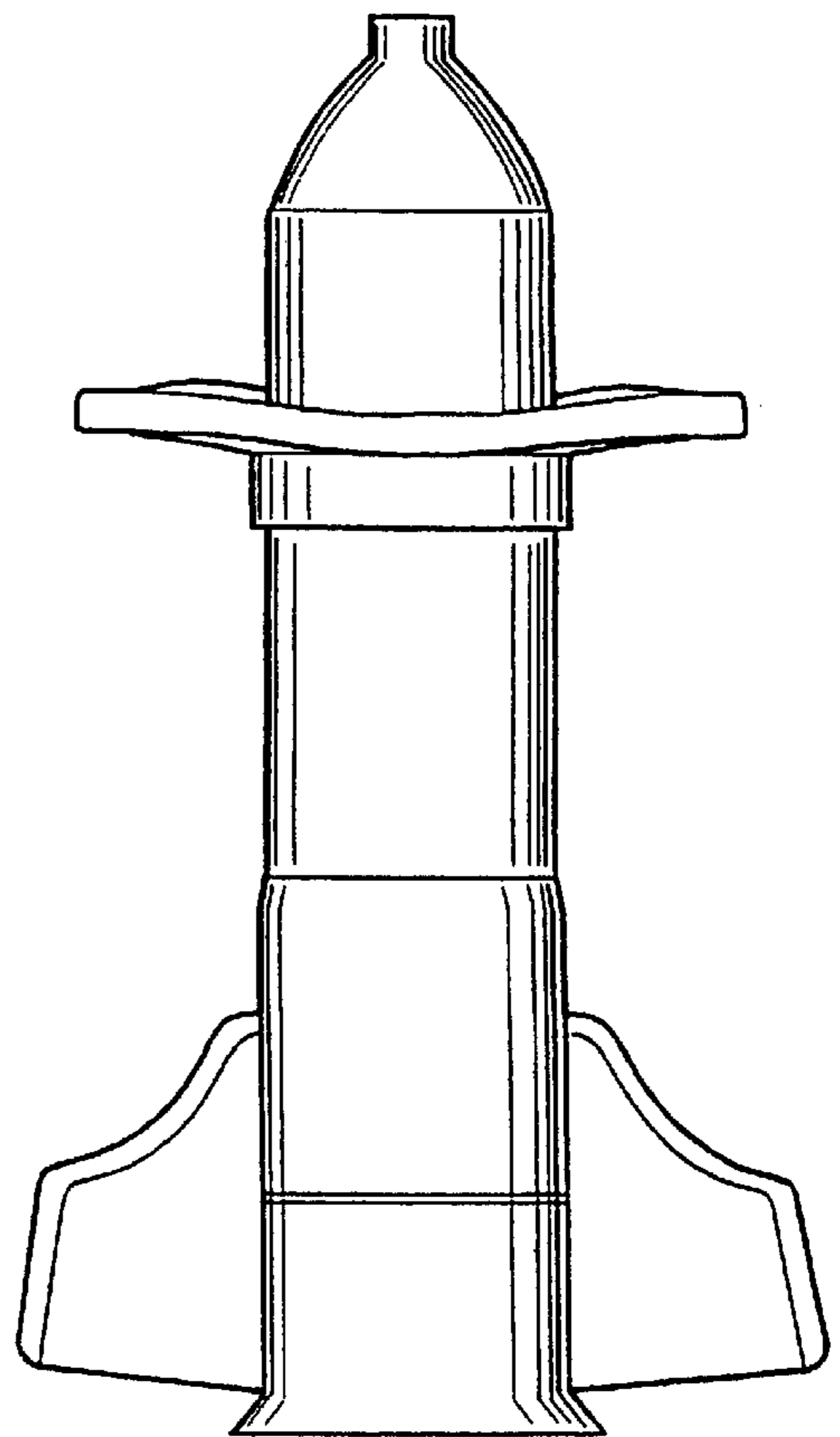


FIG. 5

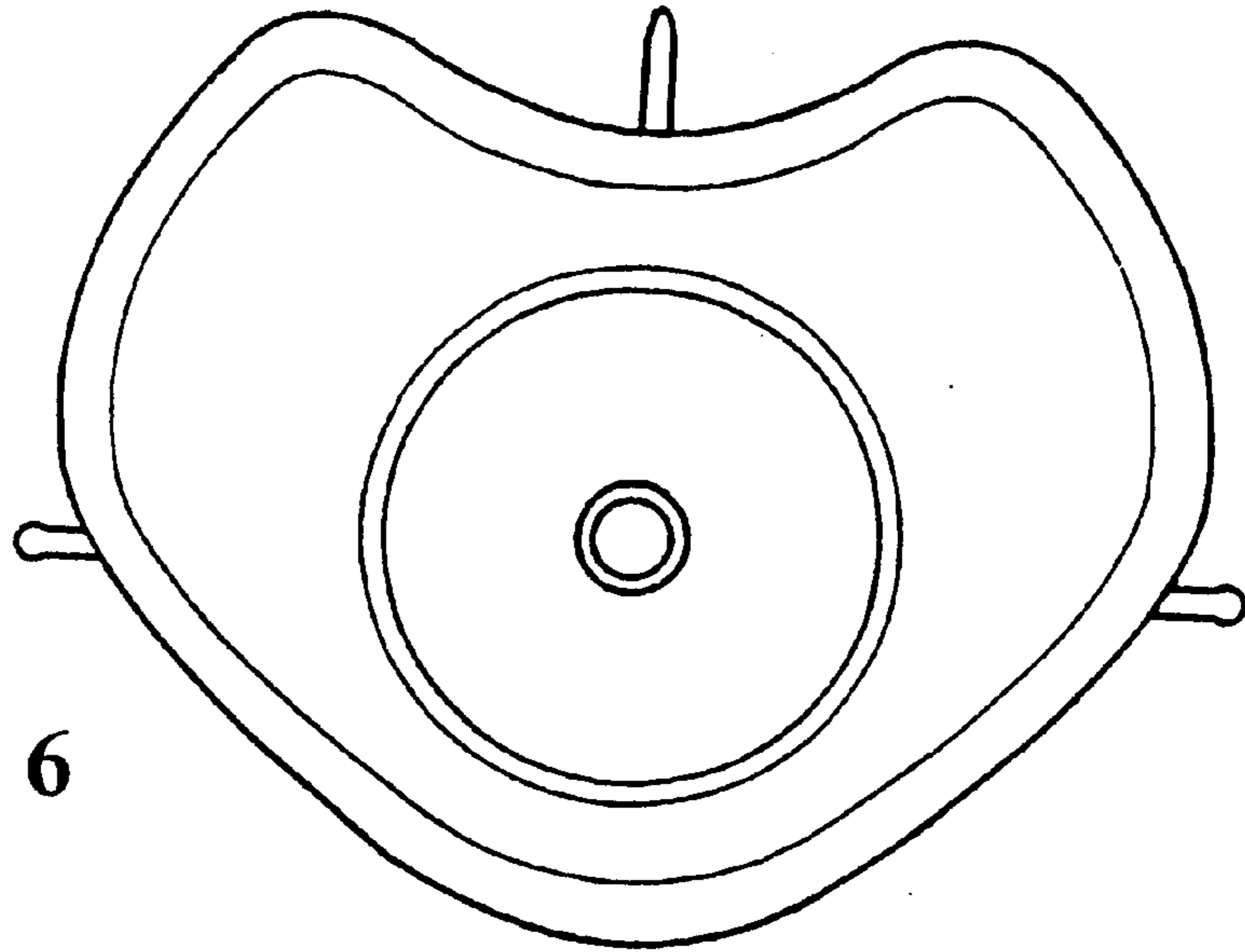


FIG. 6

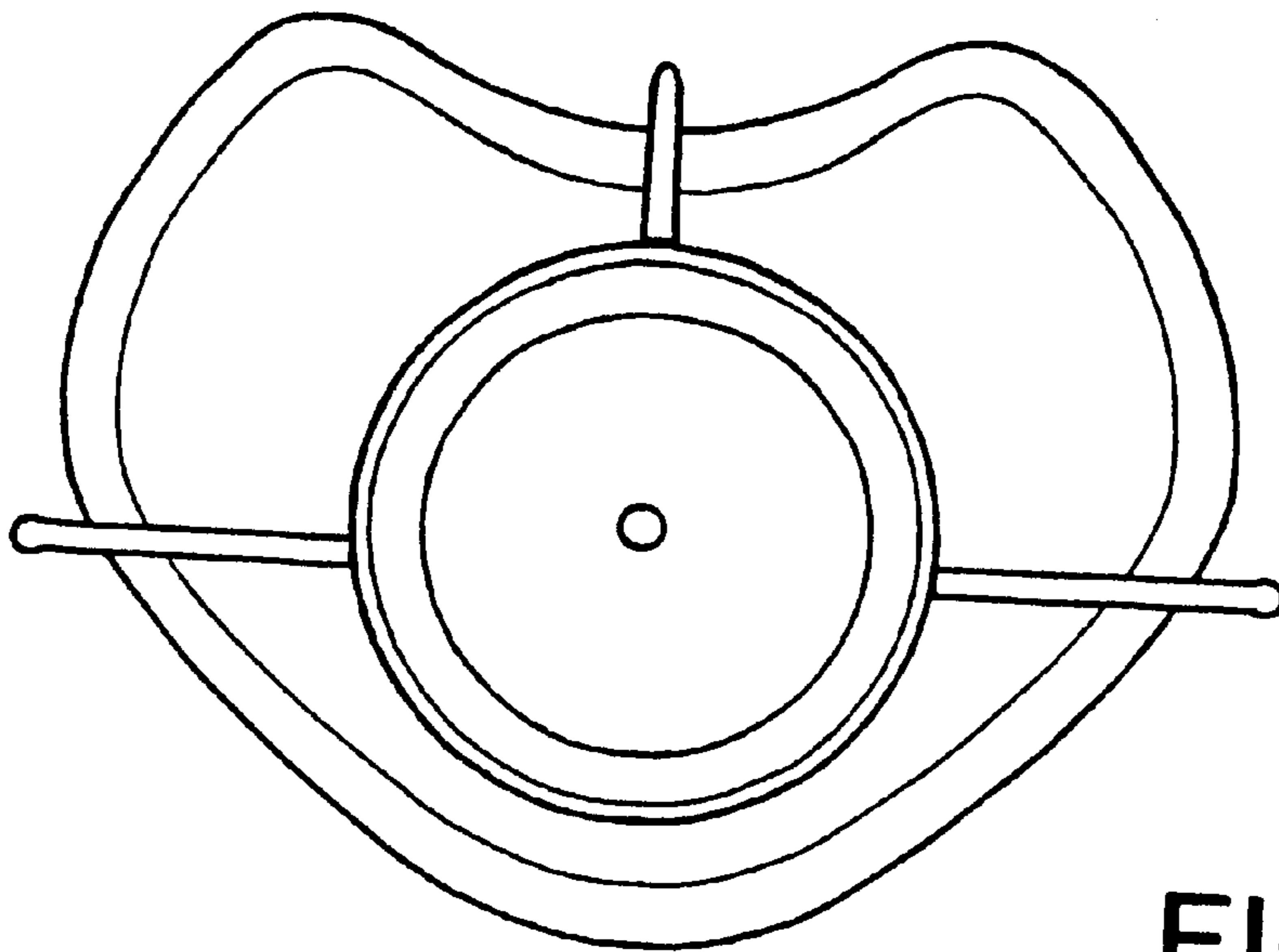


FIG. 7

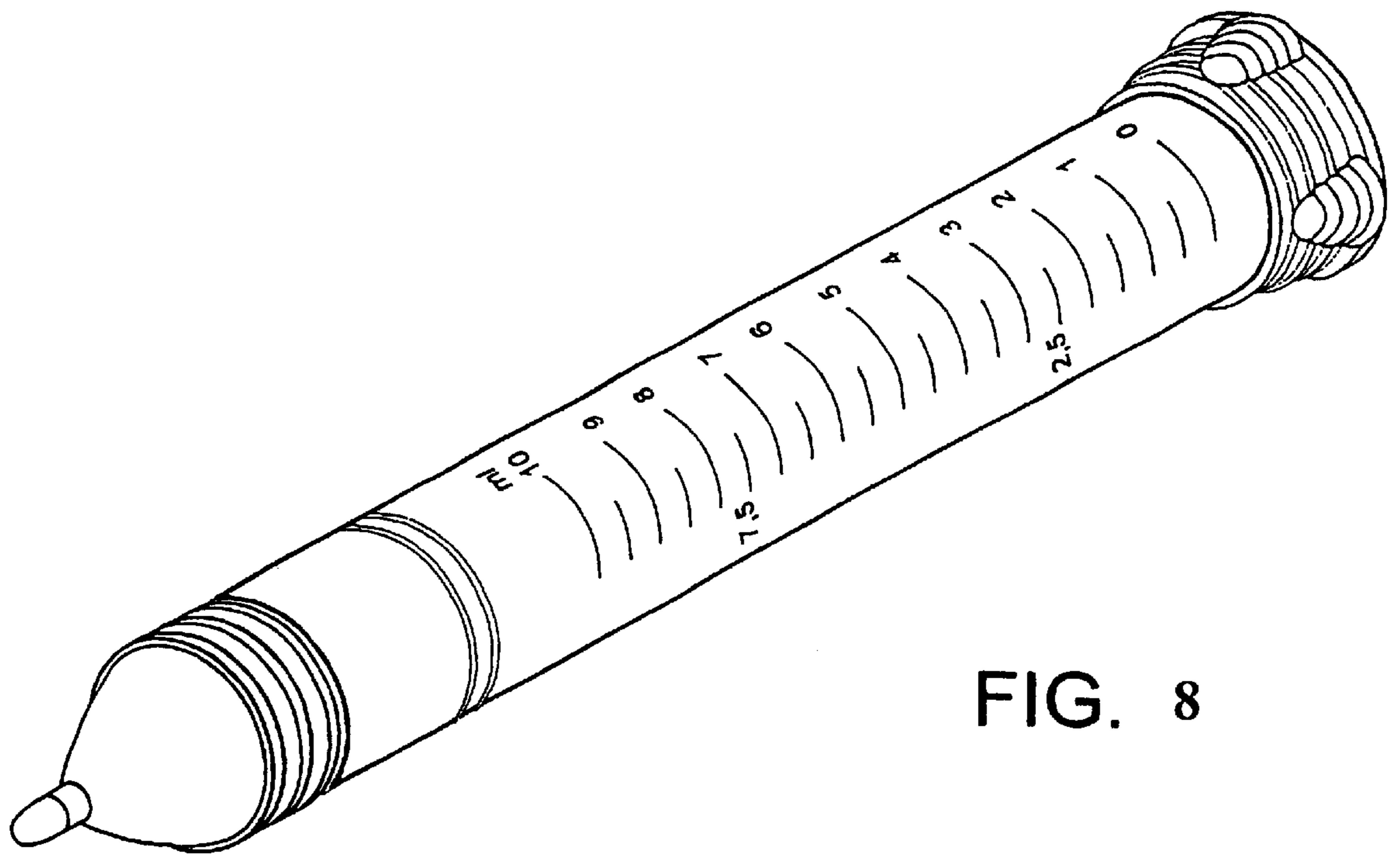


FIG. 8

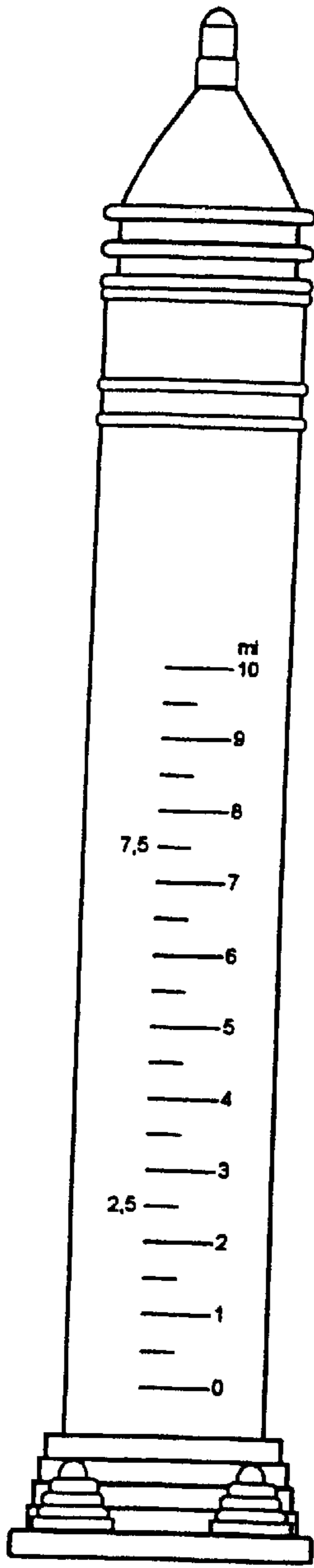


FIG. 9

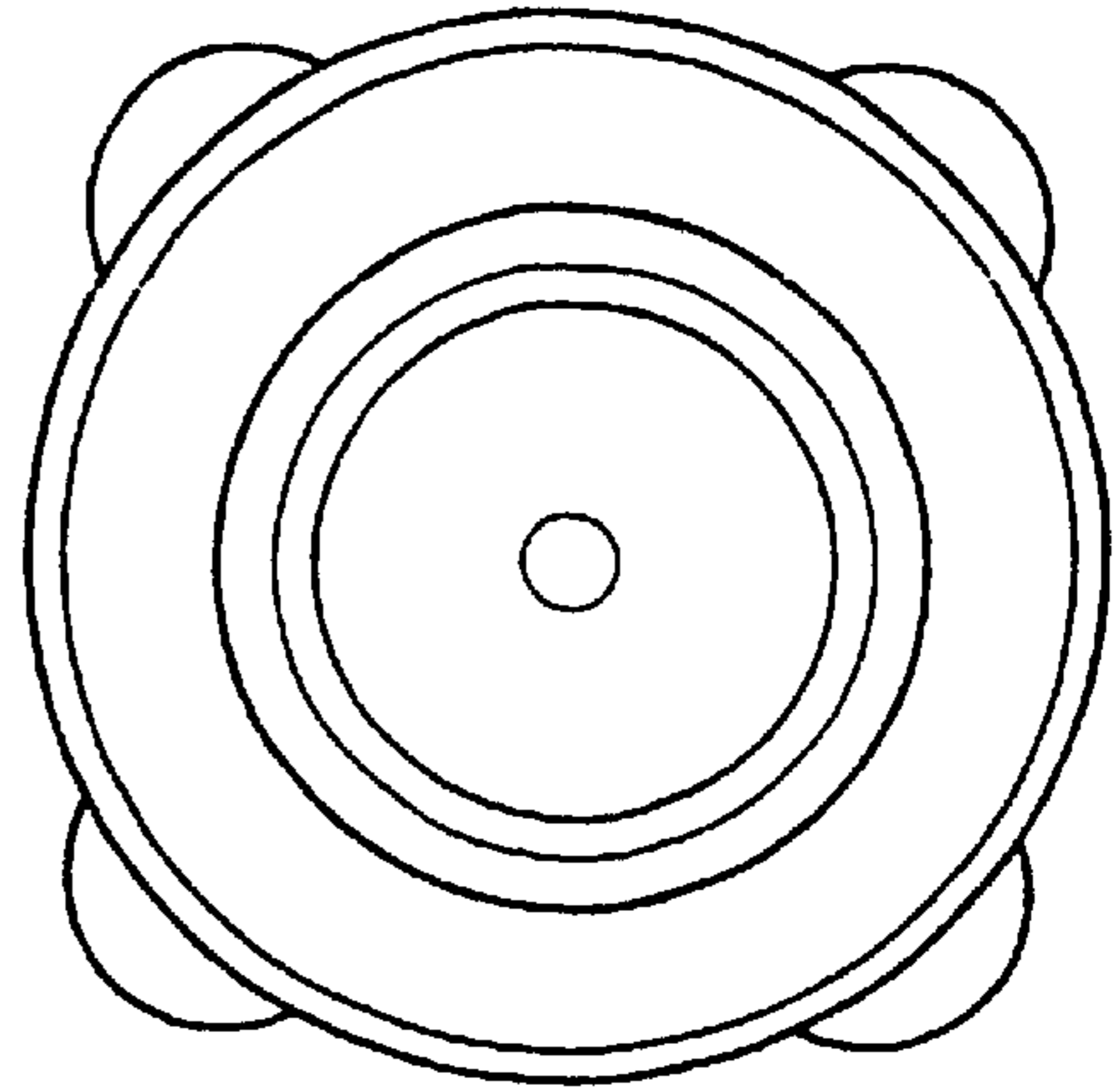


FIG. 10

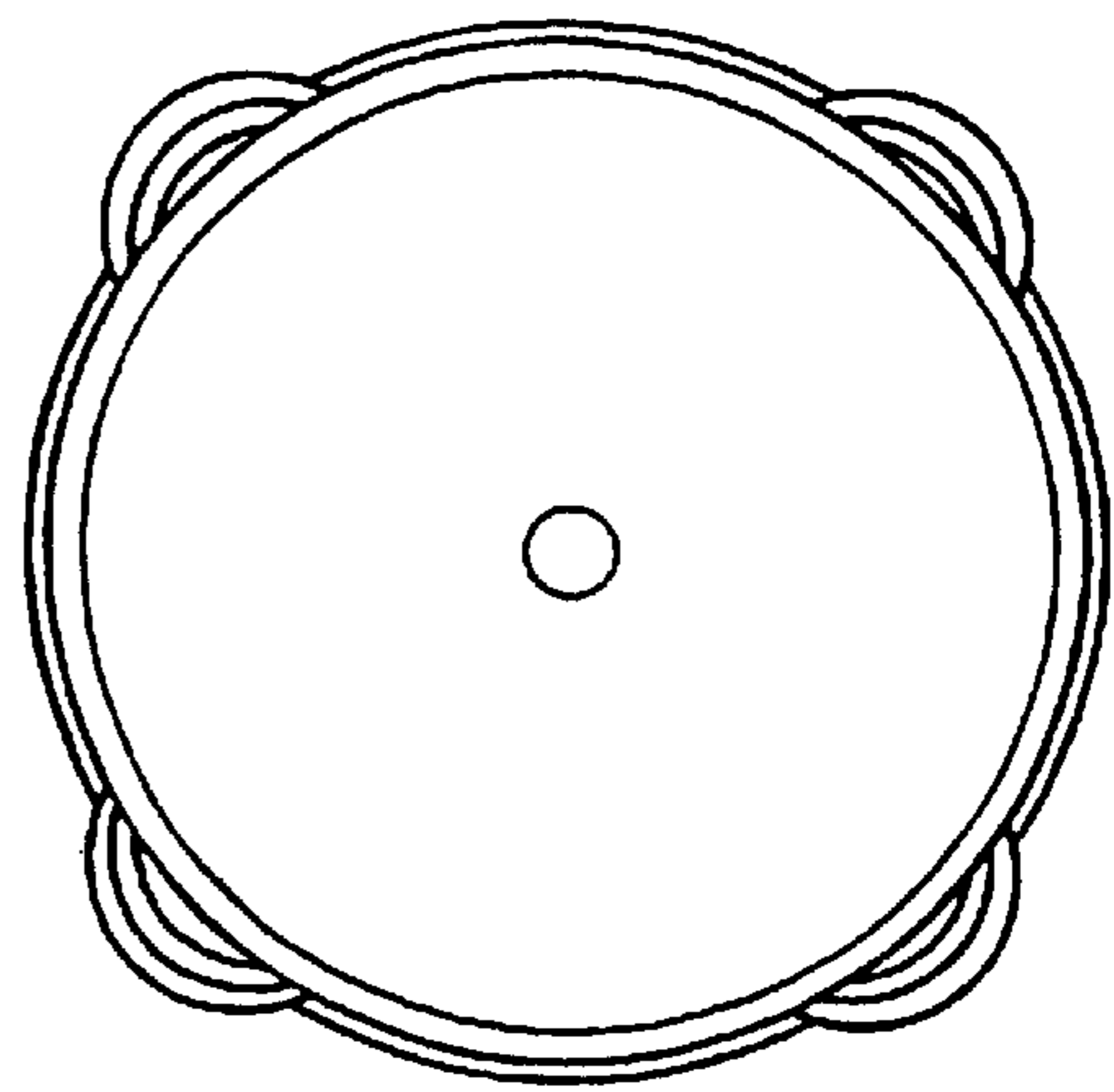


FIG. 11