



US00D448842B1

(12) **United States Design Patent**
Madsen et al.

(10) **Patent No.:** **US D448,842 S**

(45) **Date of Patent:** **** Oct. 2, 2001**

(54) **MULTI-PORT CATHETER ASSEMBLY FOR A RESPIRATORY CARE SYSTEM**

(75) **Inventors:** **Edward B. Madsen**, Riverton; **David M. Cise**, Herriman, both of UT (US)

(73) **Assignee:** **Kimberly-Clark Worldwide, Inc.**, Neenah, WI (US)

(**) **Term:** **14 Years**

(21) **Appl. No.:** **29/130,602**

(22) **Filed:** **Oct. 5, 2000**

(51) **LOC (7) Cl.** **24-02**

(52) **U.S. Cl.** **D24/112**

(58) **Field of Search** D24/112, 110.6, D24/164, 129; 128/207.16, 207.14, 207.15, 200.26, 205.29, 912, 205.24; 604/533, 514, 500

(56) **References Cited**

U.S. PATENT DOCUMENTS

D. 398,060	*	9/1998	Brown	D24/164
5,546,930	*	8/1996	Wikefeldt	128/207.14
5,735,271		4/1998	Lorenzen et al.	.	
6,003,511	*	12/1999	Fukunaga et al.	128/202.27

OTHER PUBLICATIONS

U.S. Design application No. 29/130,604, filed Oct. 5, 2000.

U.S. Design application No. 29/130,603, filed Oct. 5, 2000.

U.S. Design application No. 29/130,601, filed Oct. 5, 2000.

* cited by examiner

Primary Examiner—Ian Simmons

(74) *Attorney, Agent, or Firm*—Dority & Manning, P.A.

(57) **CLAIM**

The ornamental design for a multi-port catheter assembly for a respiratory care system, as shown and described herein.

DESCRIPTION

FIG. 1 is a perspective view of a multi-port catheter assembly for respiratory care system showing our new design;

FIG. 2 is a left side elevational view thereof;

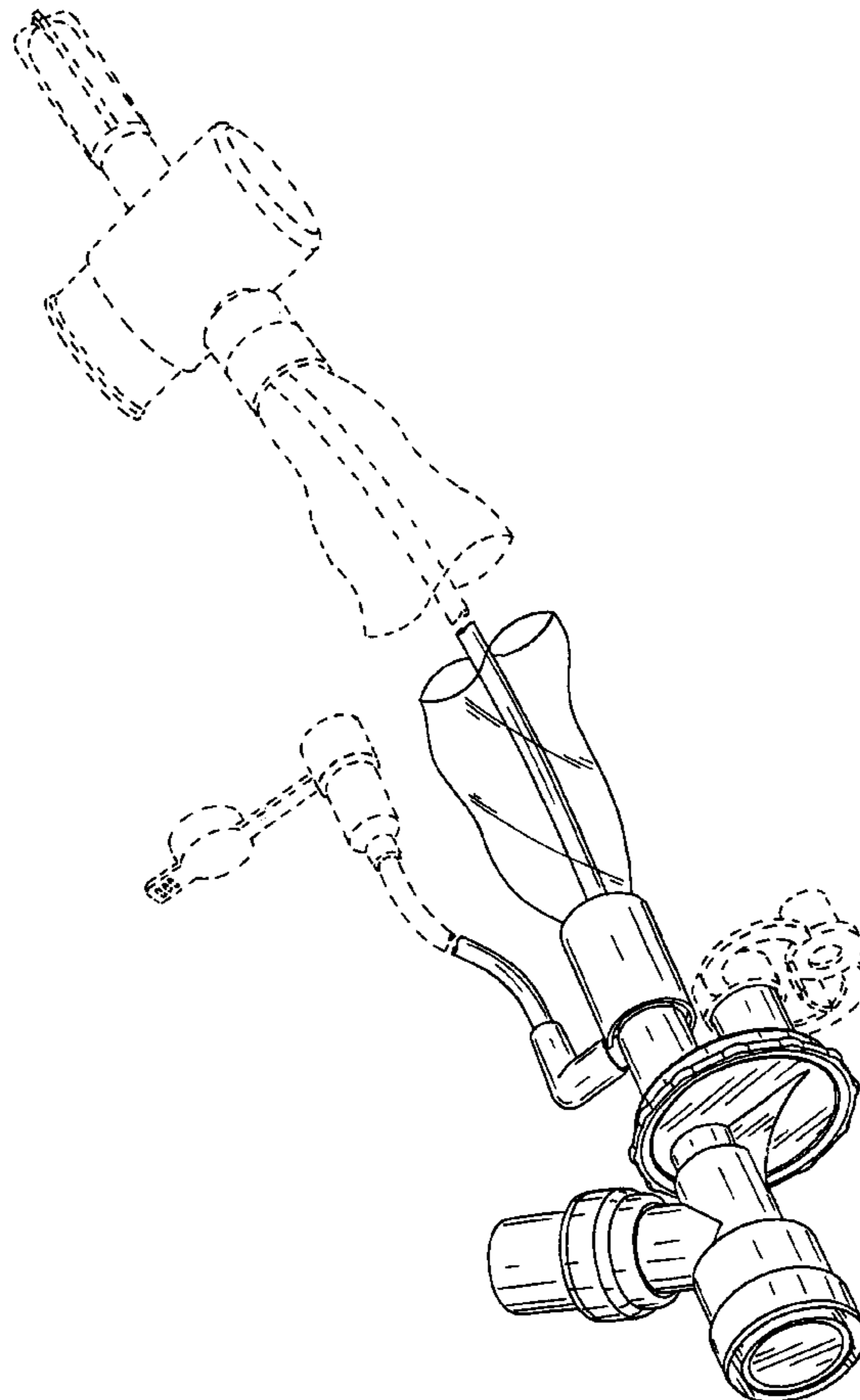
FIG. 3 is a top plan view thereof;

FIG. 4 is a right side elevational view thereof; and,

FIG. 5 is a bottom plan view thereof.

The broken line showing in FIGS. 1 through 5 are for illustrative purposes only and forms no part of the claimed design.

1 Claim, 3 Drawing Sheets



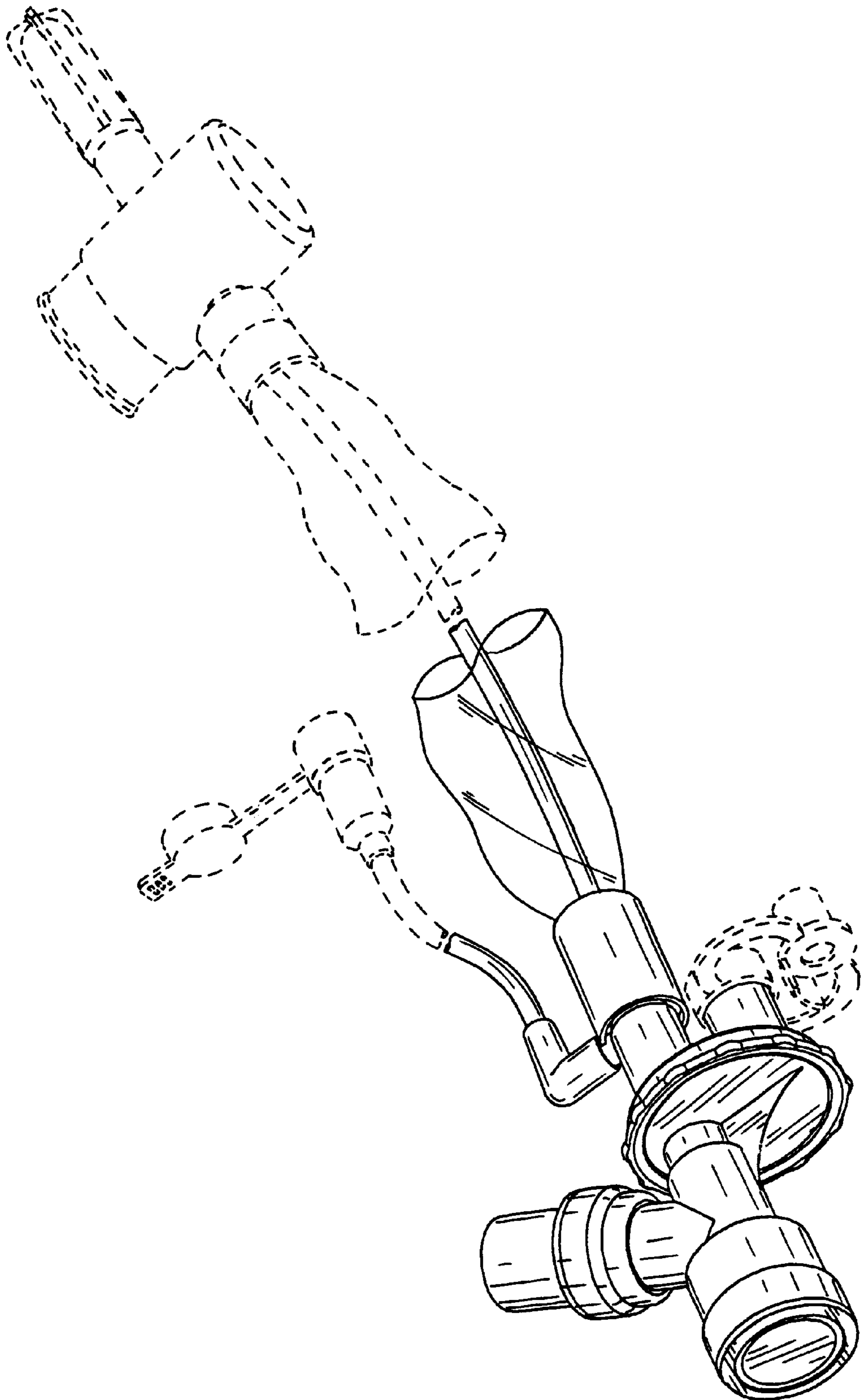


FIG. 1

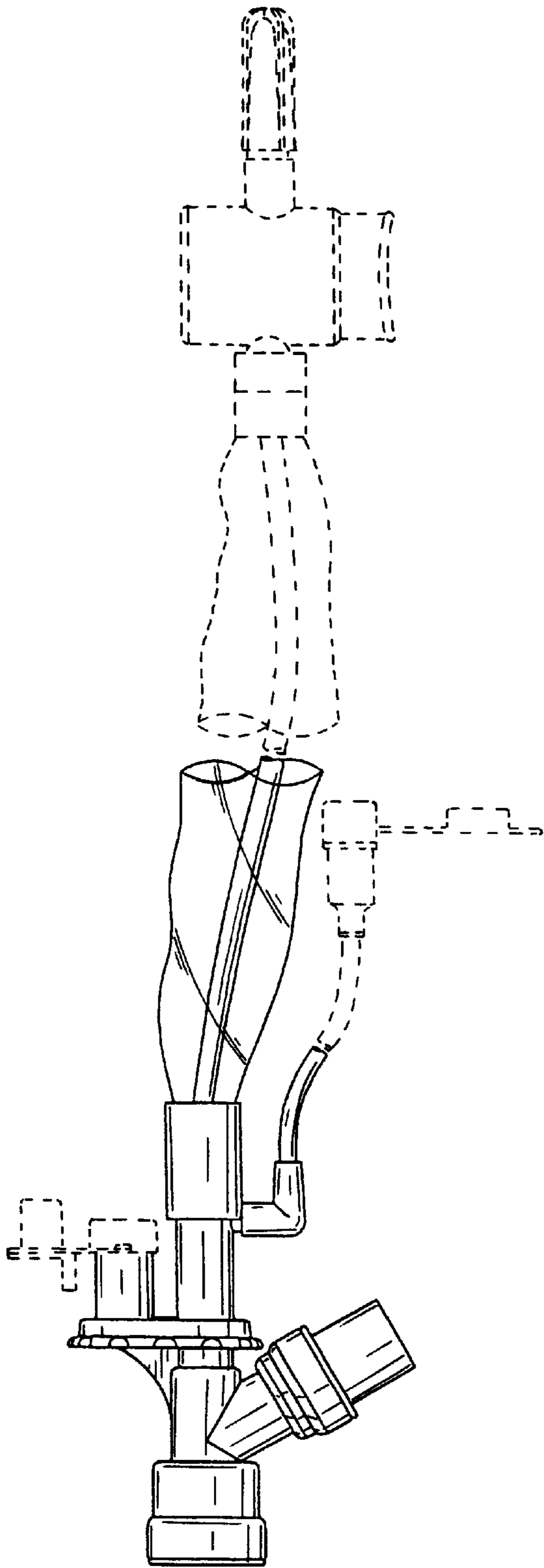


FIG. 2

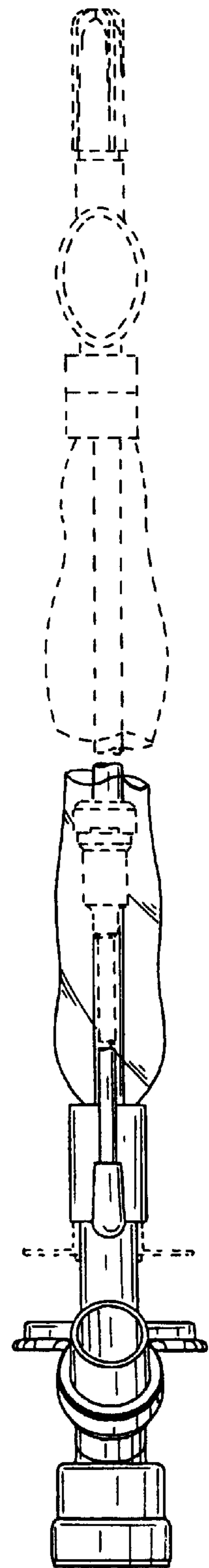


FIG. 3

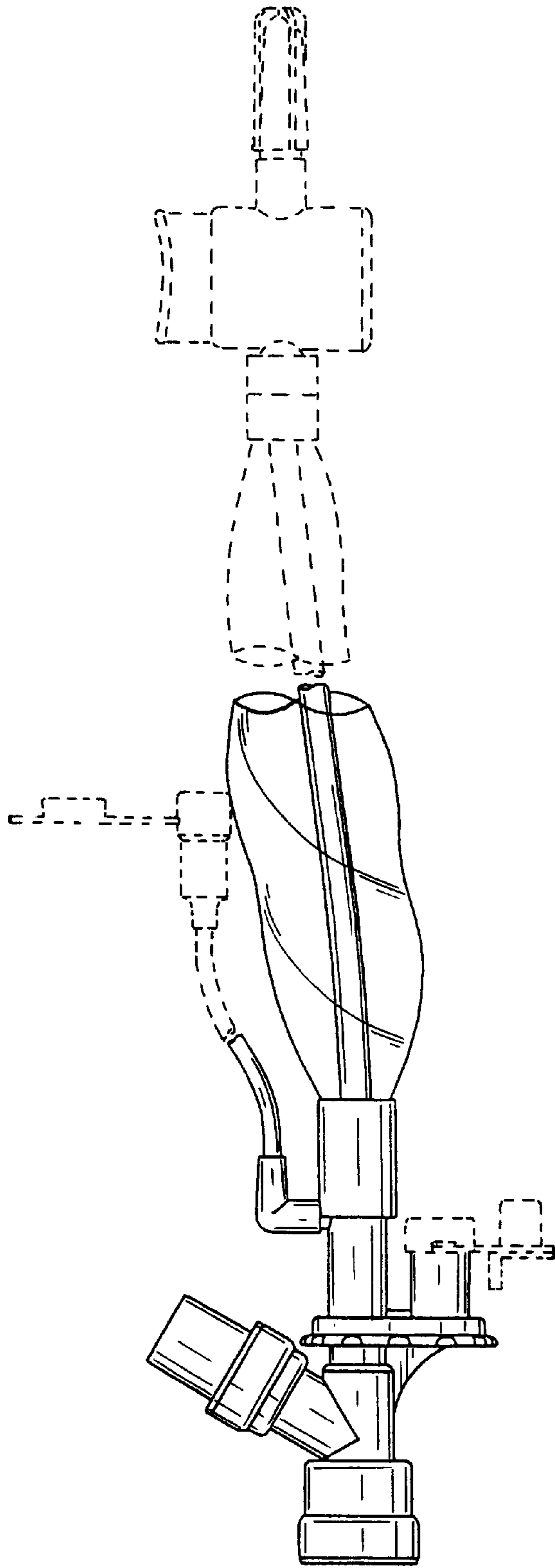


FIG. 4

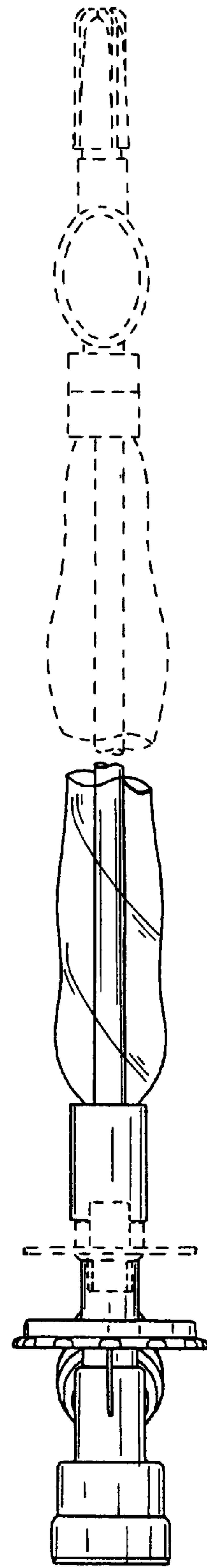


FIG. 5