



US00D448841B1

(12) **United States Design Patent**  
**Campbell**

(10) **Patent No.:** **US D448,841 S**

(45) **Date of Patent:** **\*\* Oct. 2, 2001**

(54) **COMBINED CEILING FAN MOTOR AND MOTOR HOUSING**

(75) **Inventor:** **Glennbruce S. Campbell**, Memphis, TN (US)

(73) **Assignee:** **Hunter Fan Company**, Memphis, TN (US)

(\*\*) **Term:** **14 Years**

(21) **Appl. No.:** **29/135,969**

(22) **Filed:** **Jan. 24, 2001**

(51) **LOC (7) Cl.** ..... **23-04**

(52) **U.S. Cl.** ..... **D23/411**

(58) **Field of Search** ..... D23/411, 377, D23/379, 385; 416/5

(56) **References Cited**

**U.S. PATENT DOCUMENTS**

D. 401,687 \* 11/1998 Pearce et al. .... D23/411

\* cited by examiner

*Primary Examiner*—Lisa Lichtenstein  
(74) *Attorney, Agent, or Firm*—Baker, Donelson, Bearman & Caldwell

(57) **CLAIM**

The ornamental design for a combined ceiling fan motor and motor housing, as shown and described.

**DESCRIPTION**

FIG. 1 is a perspective view of the combined ceiling fan motor and motor housing showing my new design.

FIG. 2 is an enlarged perspective view thereof.

FIG. 3 is an enlarged front view thereof, the rear view being substantially the same thereof.

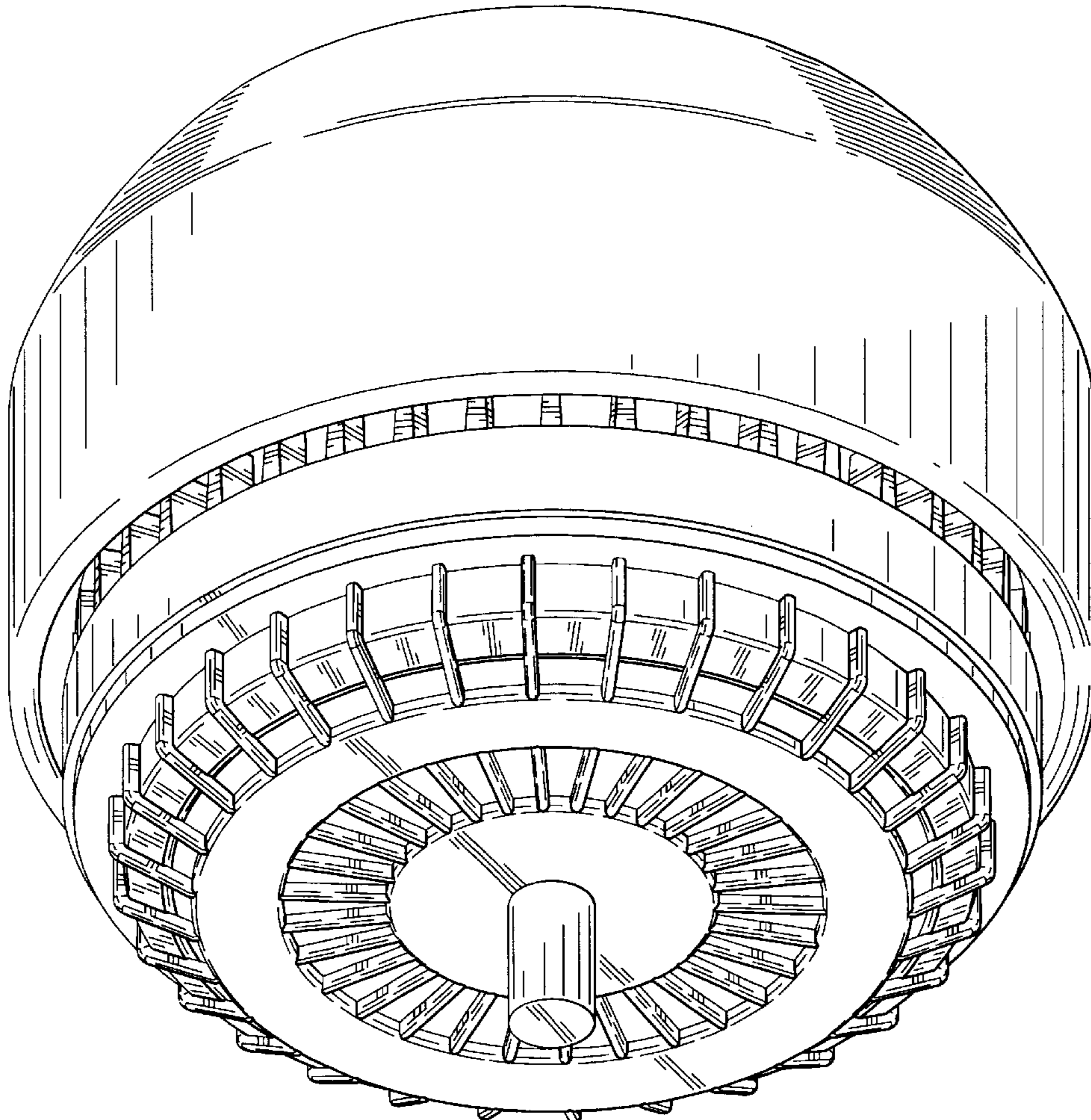
FIG. 4 is an enlarged right side view thereof, the left side view being substantially the same thereof.

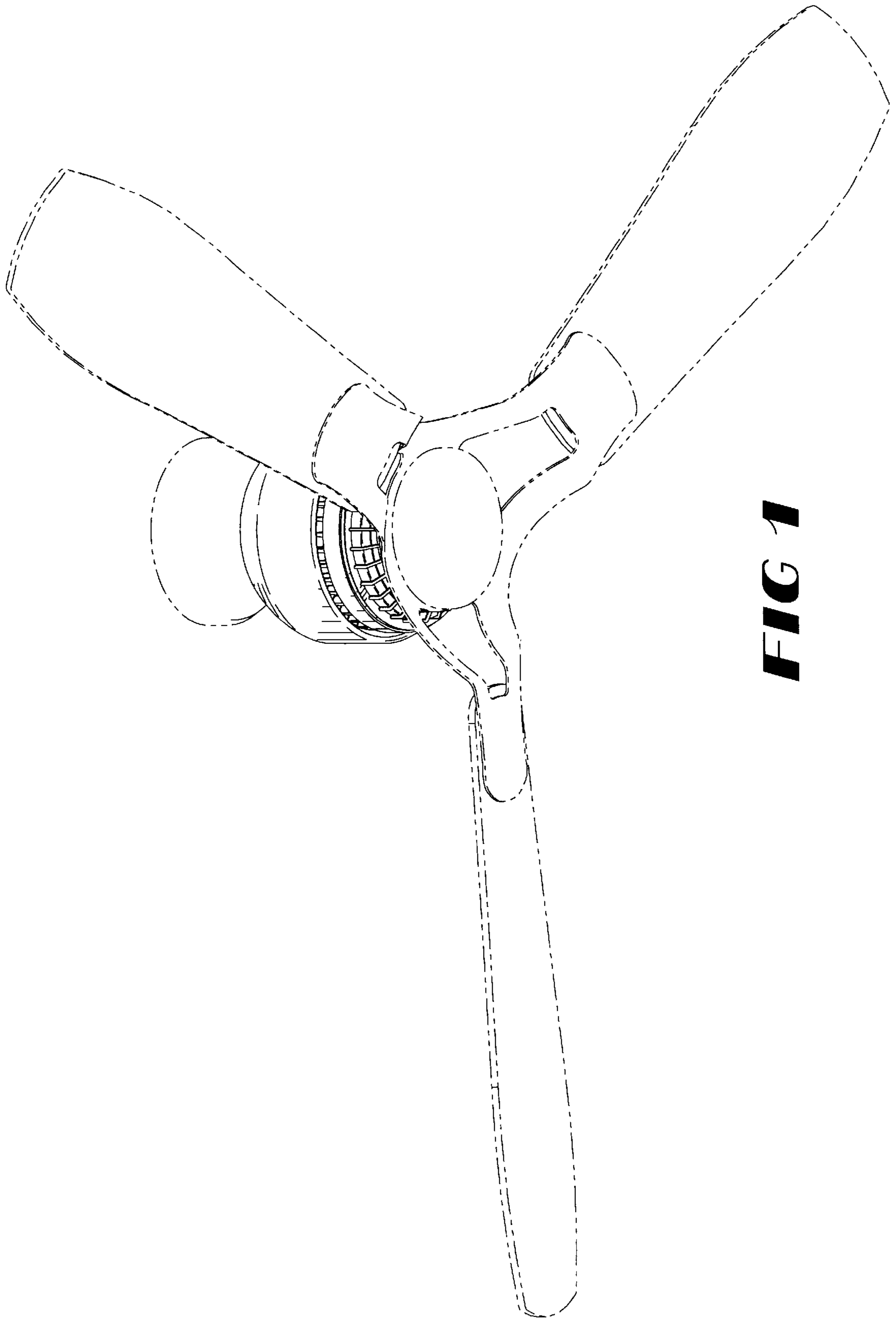
FIG. 5 is an enlarged view thereof; and,

FIG. 6 is an enlarged bottom view thereof.

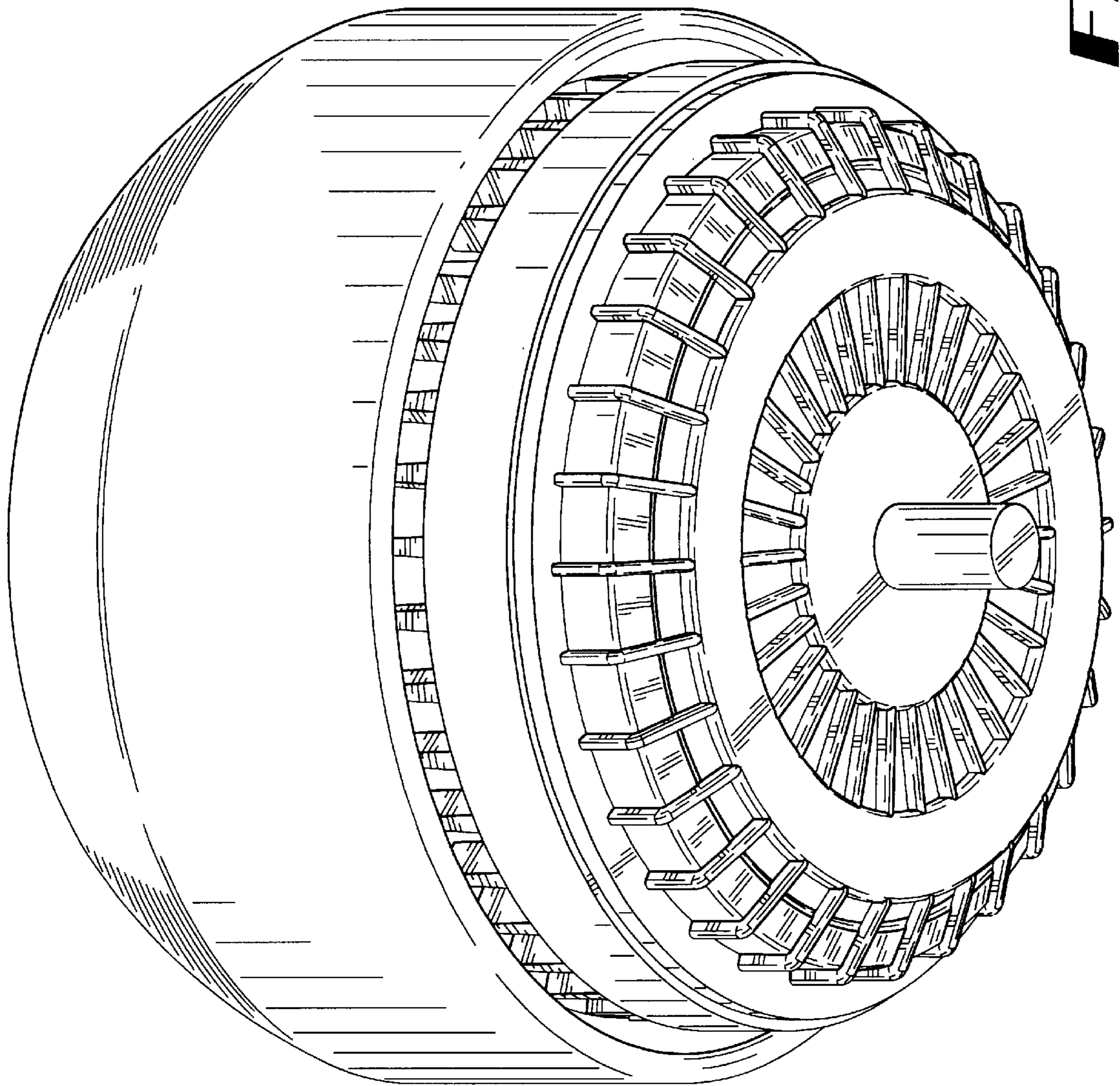
The broken lines in the views show environmental features which are for illustrative purposes only and form no part of the claimed design.

**1 Claim, 6 Drawing Sheets**

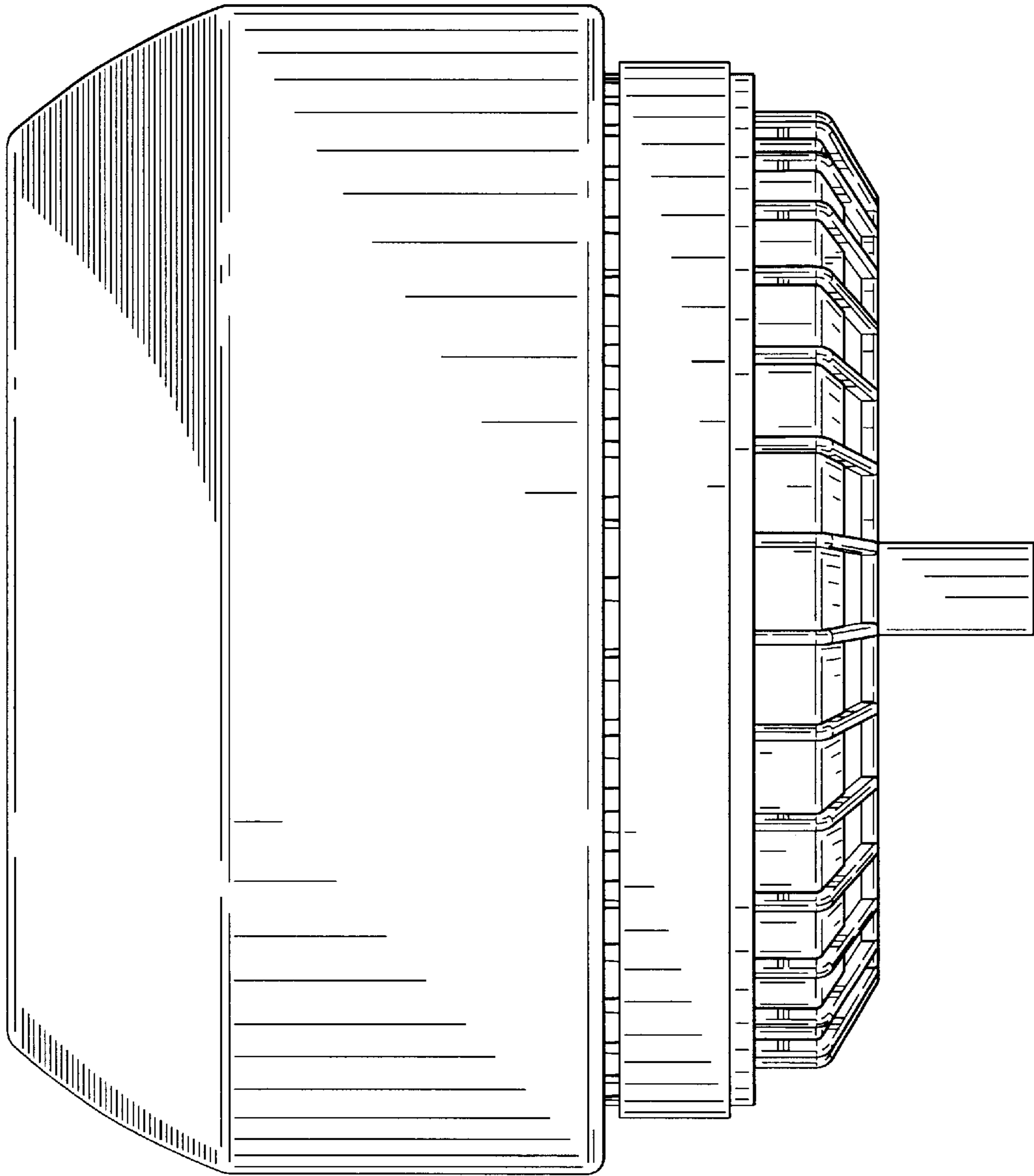




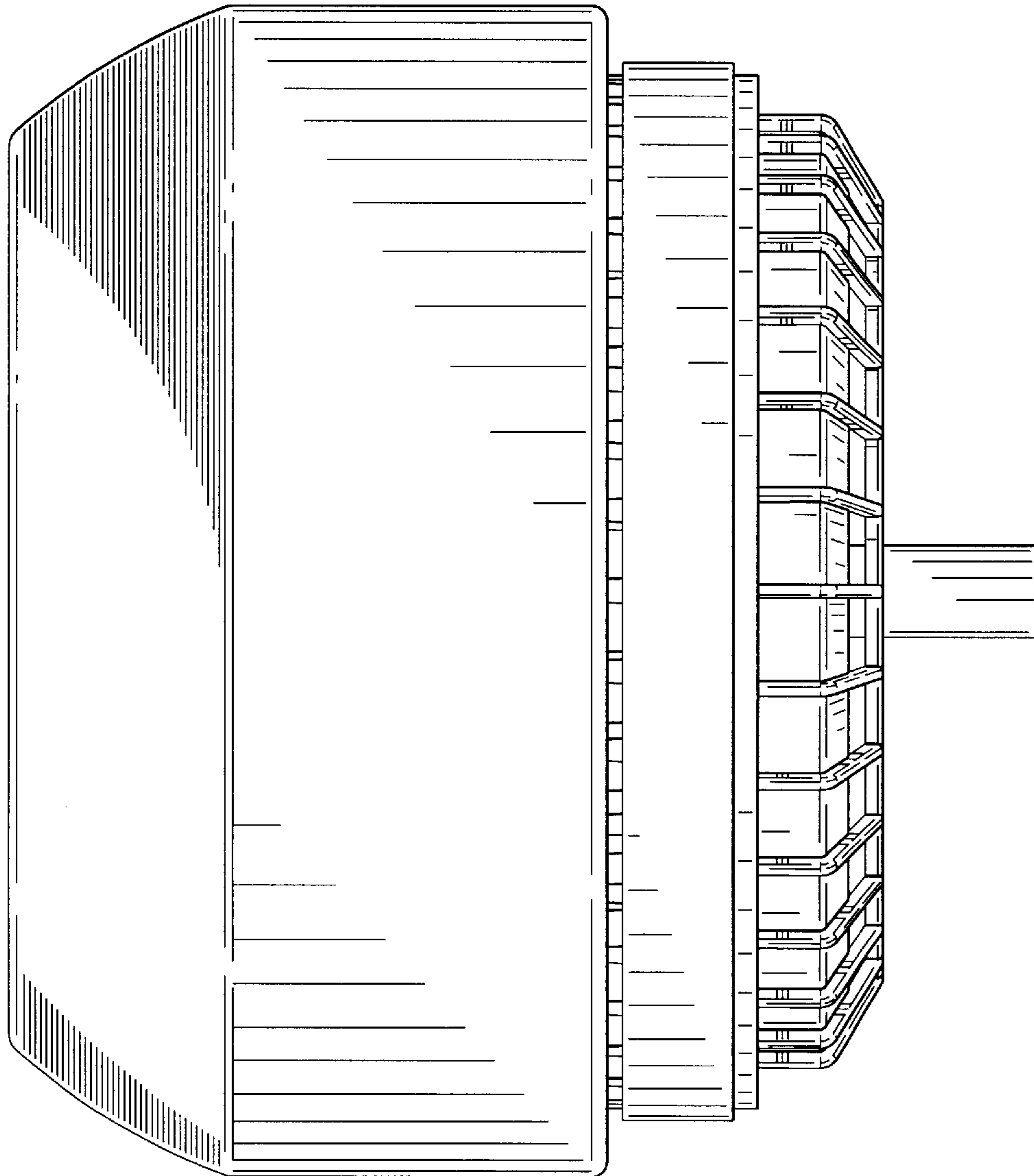
**FIG 1**



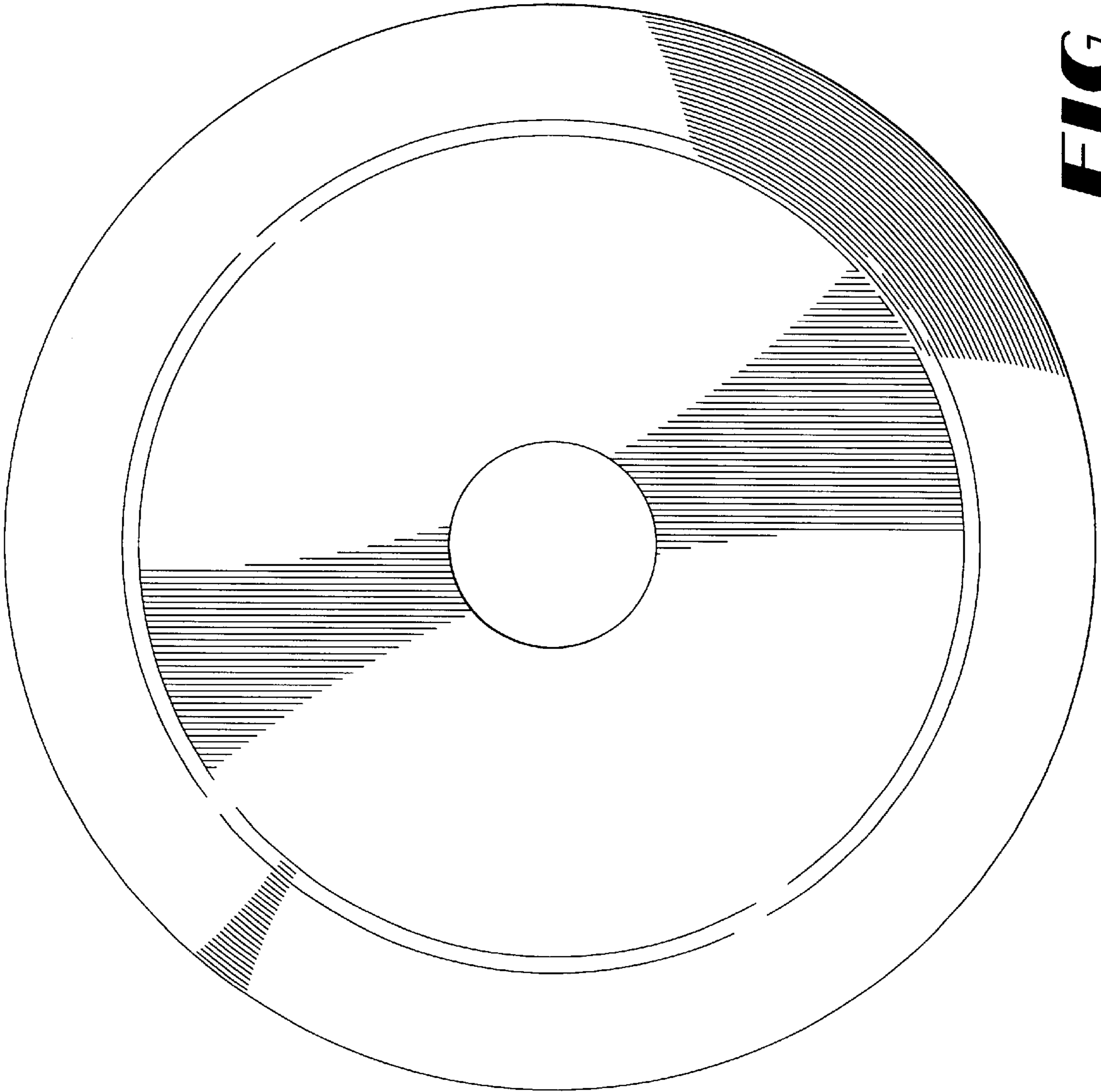
**FIG 2**



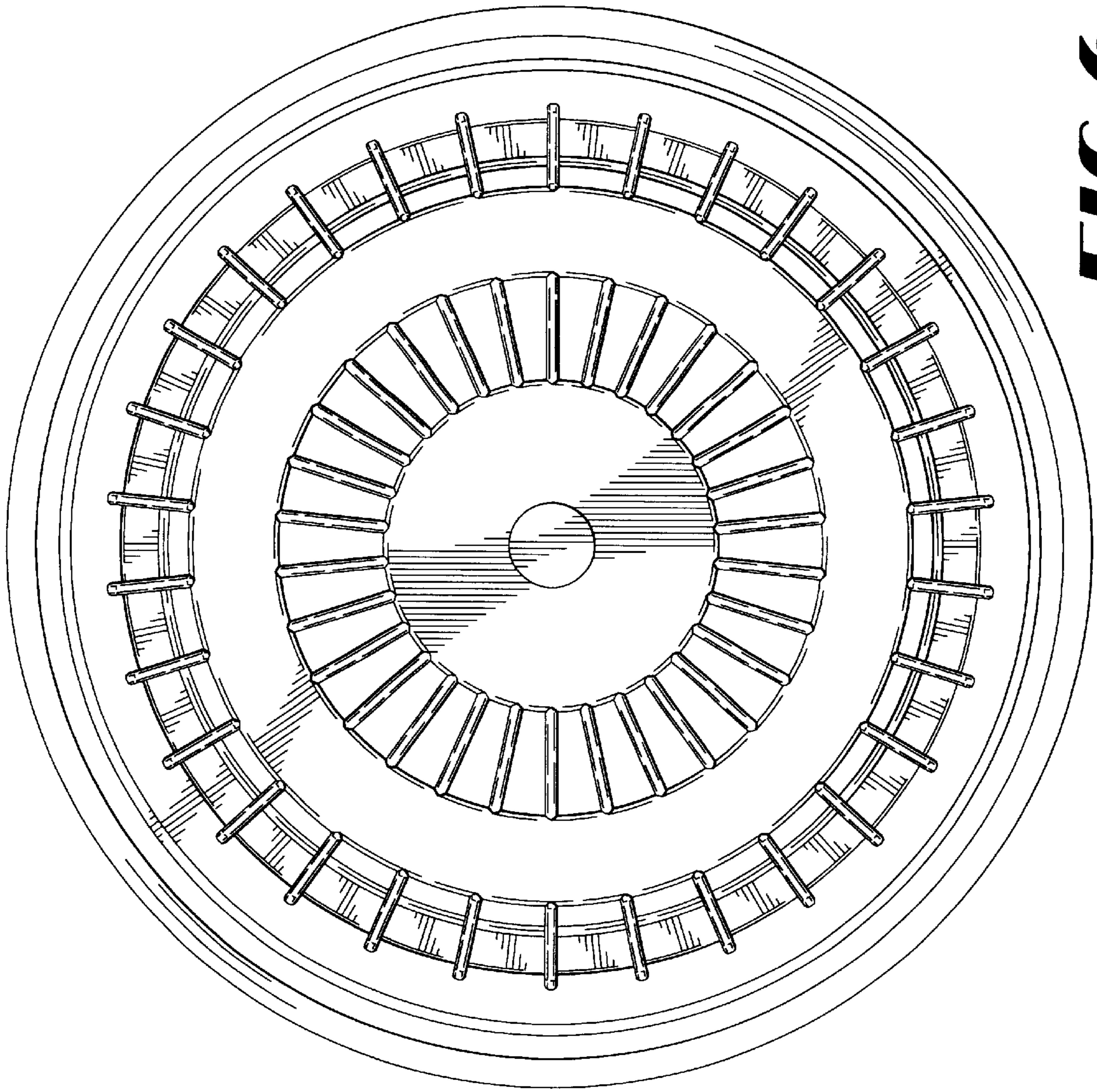
**FIG 3**



**FIG 4**



**FIG 5**



**FIG 6**