



US00D448839B1

(12) **United States Design Patent**  
**Mishin et al.**

(10) **Patent No.:** **US D448,839 S**

(45) **Date of Patent:** **\*\* Oct. 2, 2001**

(54) **FUME EXTRACTOR**

(75) Inventors: **Artem Mishin**, San Francisco; **Michael Carlomagno**, Chico, both of CA (US)

(73) Assignee: **Delaware Capital Formation, Inc.**,  
Wilmington, DE (US)

(\*\*) Term: **14 Years**

(21) Appl. No.: **29/113,448**

(22) Filed: **Nov. 5, 1999**

(51) **LOC (7) Cl.** ..... **23-04**

(52) **U.S. Cl.** ..... **D23/371**

(58) **Field of Search** ..... 454/78, 82, 366;  
D23/355, 371; 55/DIG. 36, DIG. 46

(56) **References Cited**

**PUBLICATIONS**

18/Electronic Packaging & Production, Product & Equipment News, "Fume Extractor" and "EMI Shields" date unknown.

OK Industries (UK) Ltd., "Solder Fumes", Pur-Air Extraction & Purification Systems, Mar. 1996, pp. 1-20.

Pace Technical Note and Application Guide, Pages from 72-77, 81, and unnumbered "Why You Need Fume Extraction", pub date unknown.

Pace, "Price Book, Fume Extraction Systems", Jan. 1, 1997, pp. 4-12 and 20-21.

Pace Fume Extraction, "Multi Ar-Evac II Systems", pp. 1-6, no date.

*Primary Examiner*—Lisa Lichtenstein

(74) *Attorney, Agent, or Firm*—Burns, Doane, Swecker & Mathis, L.L.P.

(57) **CLAIM**

The ornamental design for a fume extractor, as shown and described.

**DESCRIPTION**

FIG. 1 is a front perspective view of a fume extractor according to an embodiment of the present invention;

FIG. 2 is a rear perspective view of the fume extractor of FIG. 1;

FIG. 3 is a front side view of the fume extractor of FIG. 1;

FIG. 4 is a left side view of the fume extractor of FIG. 1;

FIG. 5 is a right side view of the fume extractor of FIG. 1;

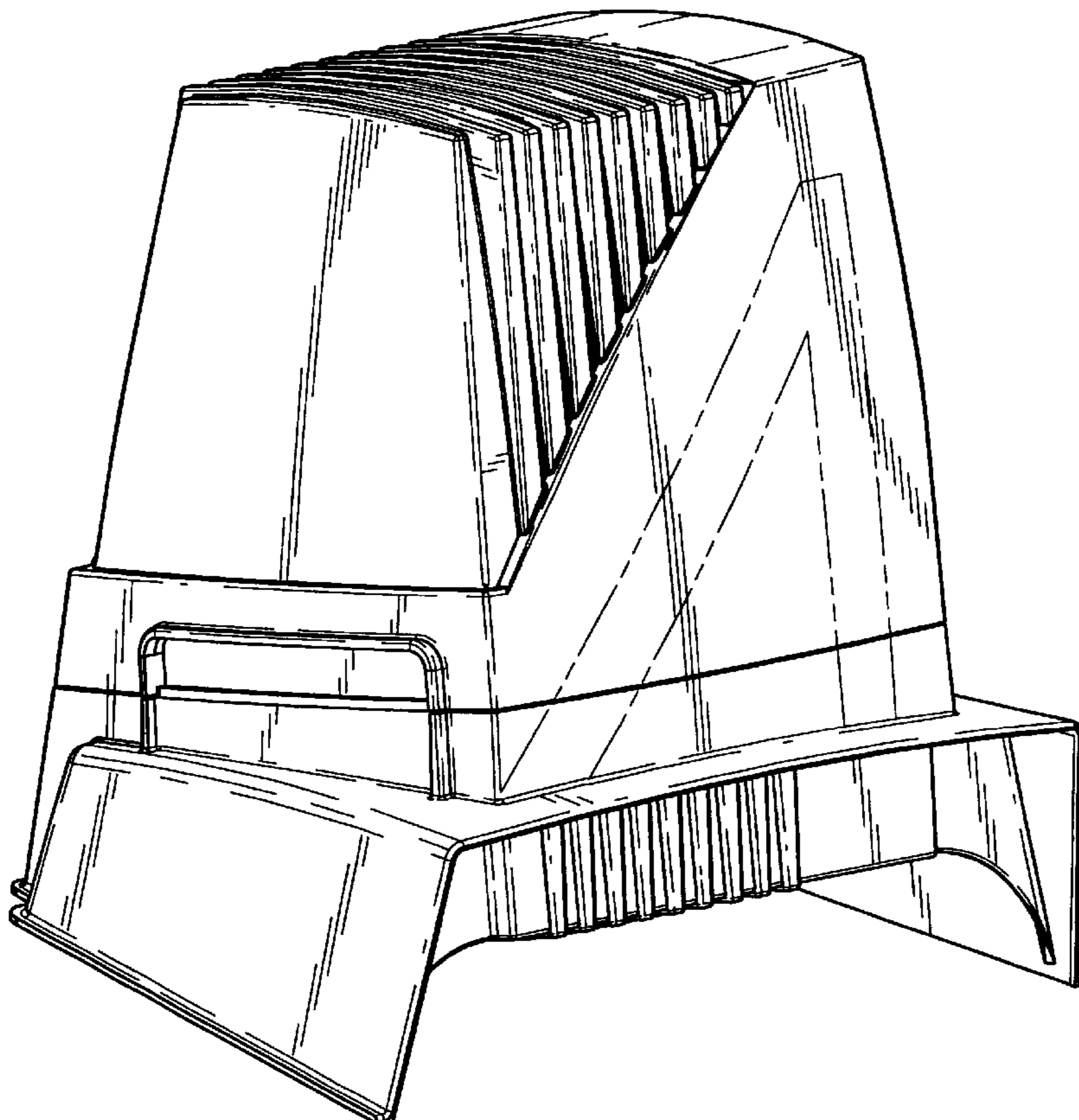
FIG. 6 is a top view of the fume extractor of FIG. 1;

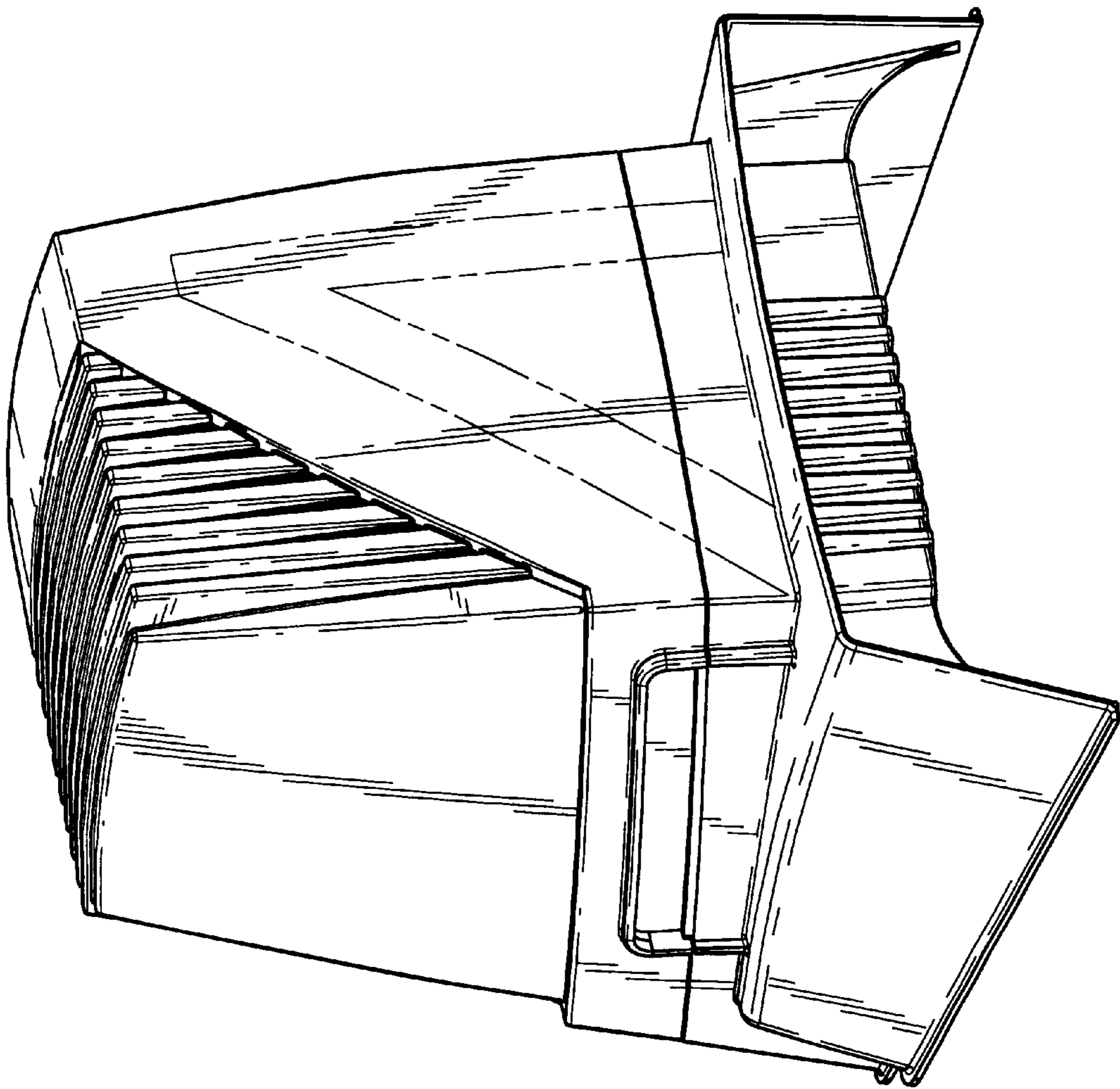
FIG. 7 is a rear side view of the fume extractor of FIG. 1; and,

FIG. 8 is a bottom view of the fume extractor of FIG. 1.

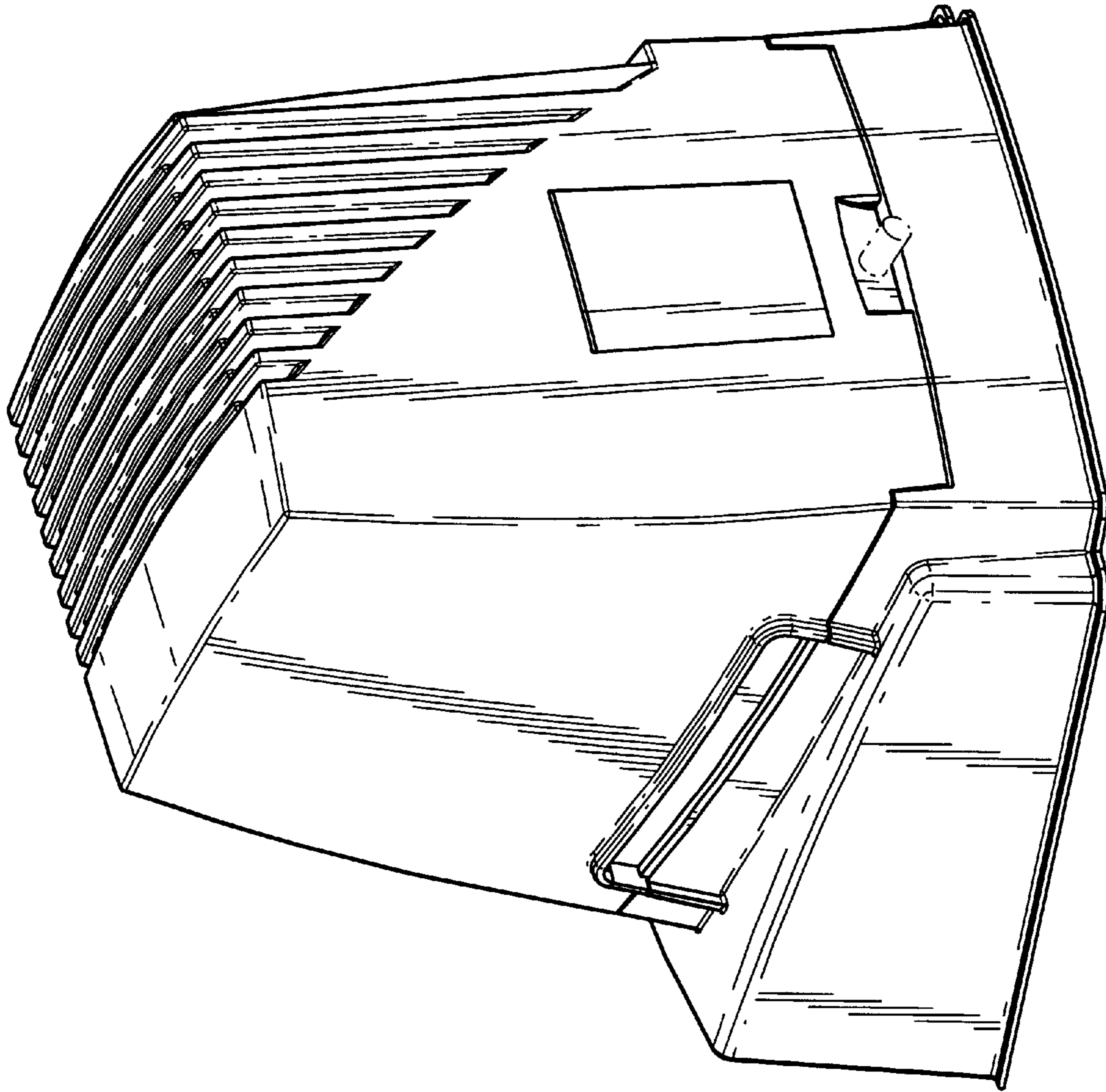
The broken line showing of environmental structure in FIGS. 1 and 5-8 is for illustrative purposes only and forms no part of the claimed design.

**1 Claim, 5 Drawing Sheets**

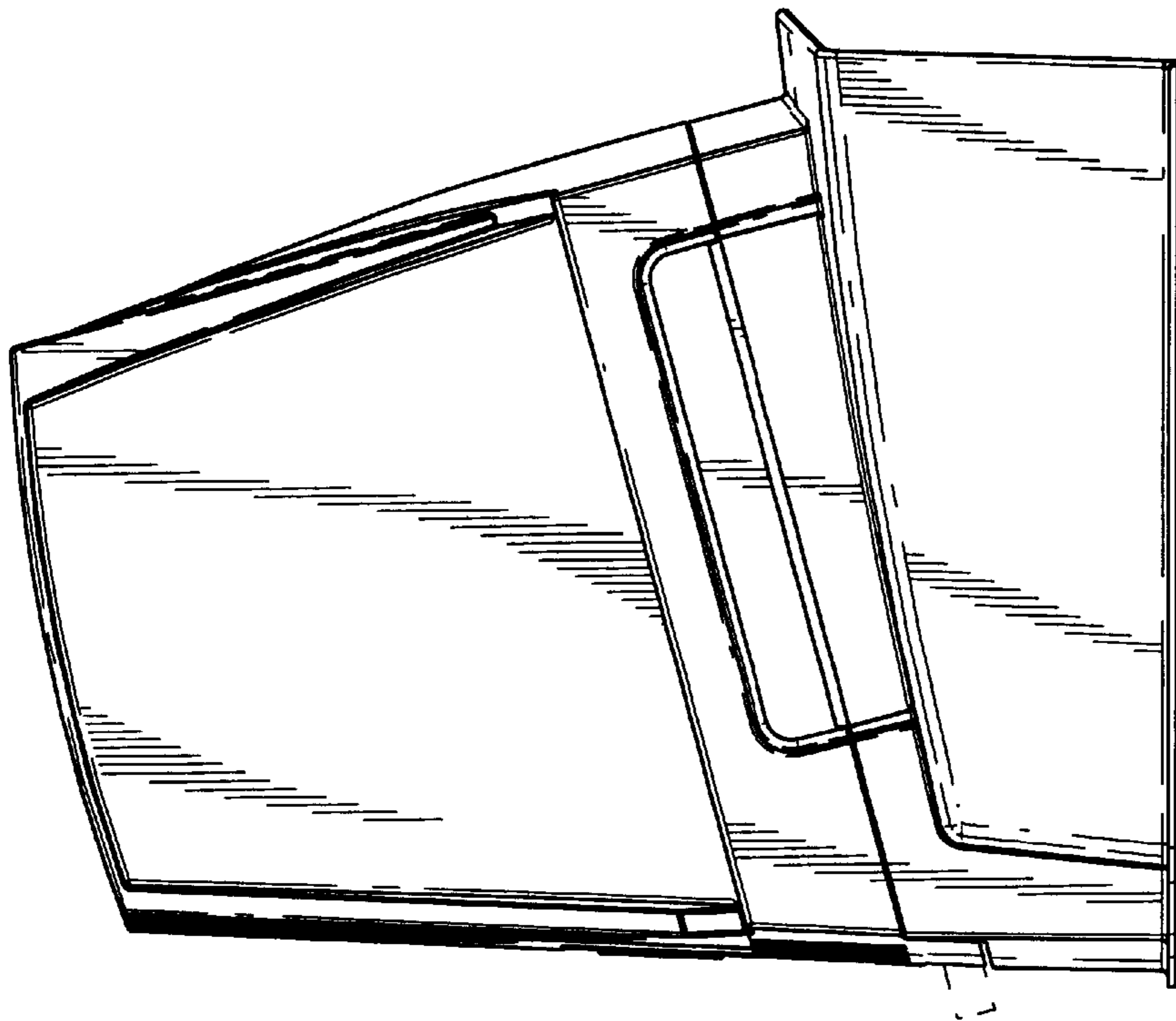




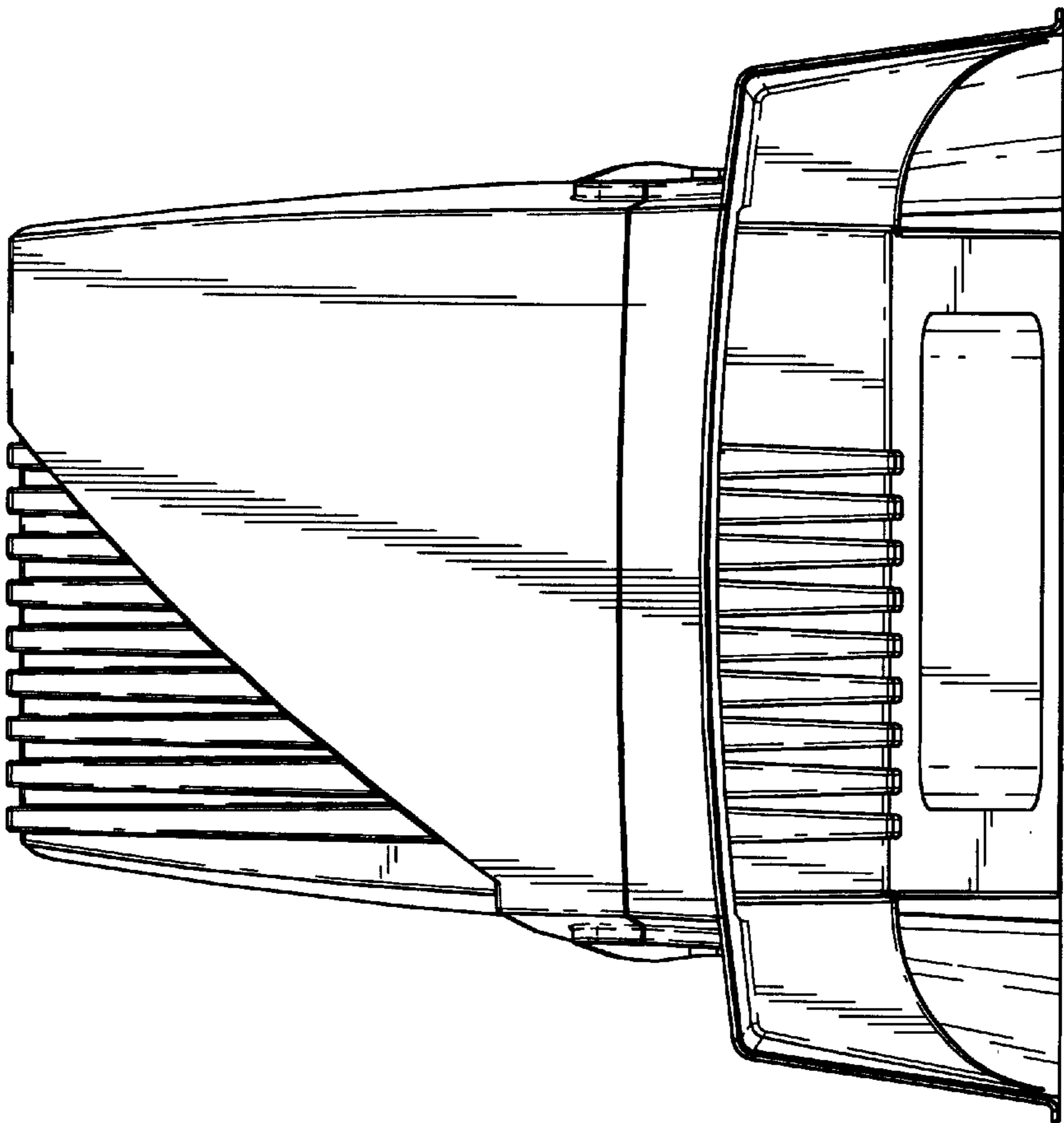
**FIG. 1**



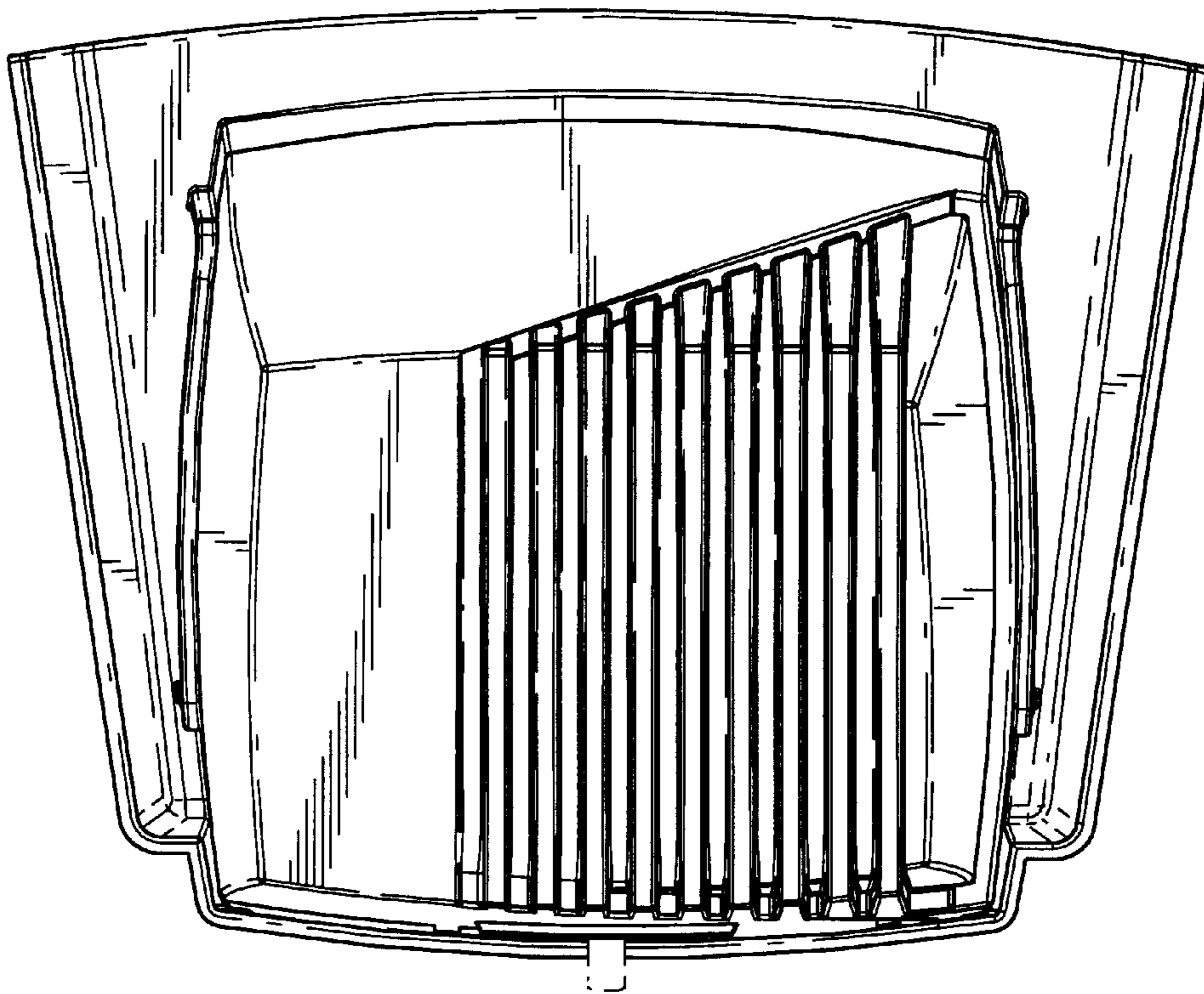
**FIG. 2**



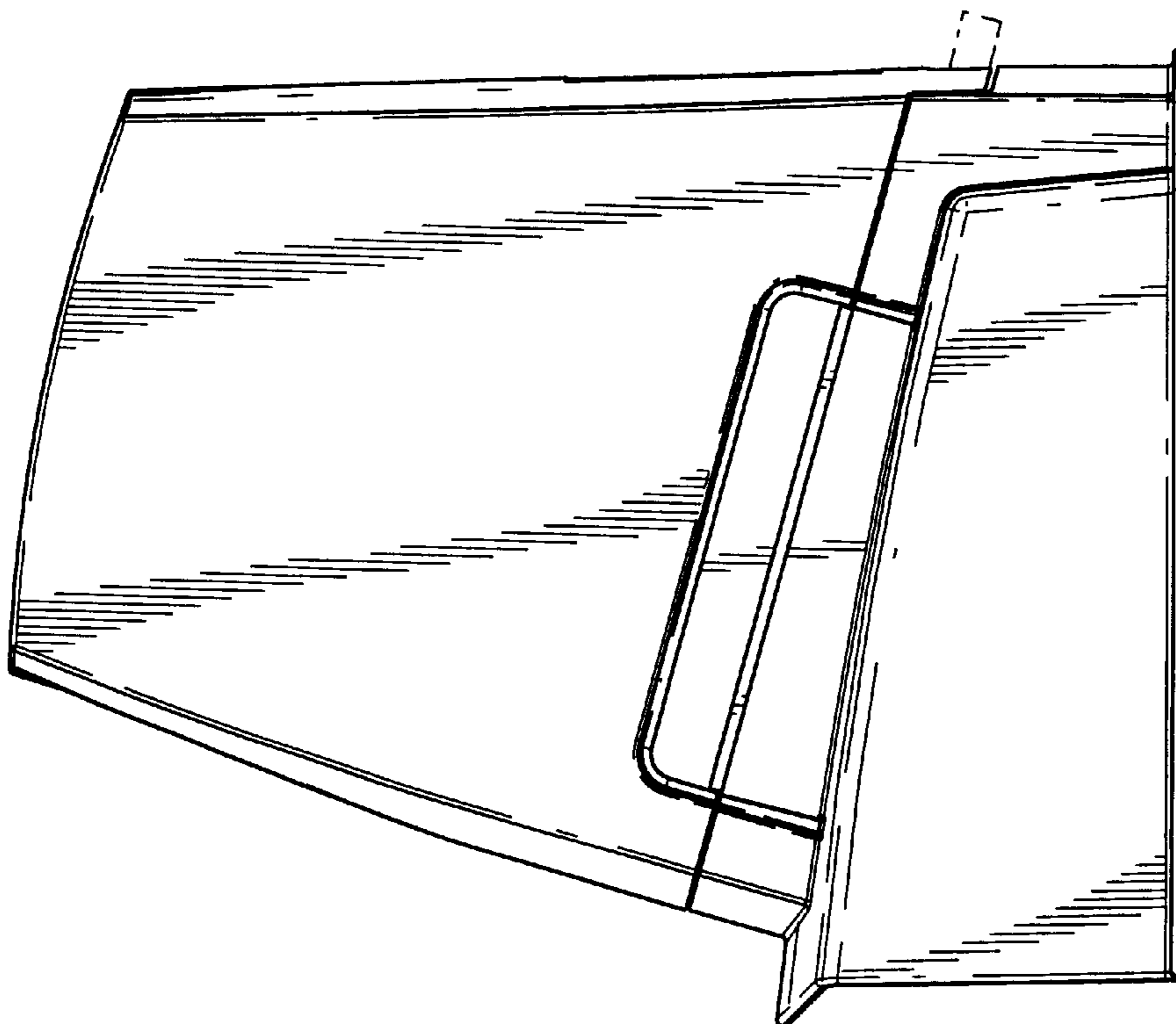
**FIG. 3**



**FIG. 4**



**FIG. 6**



**FIG. 5**

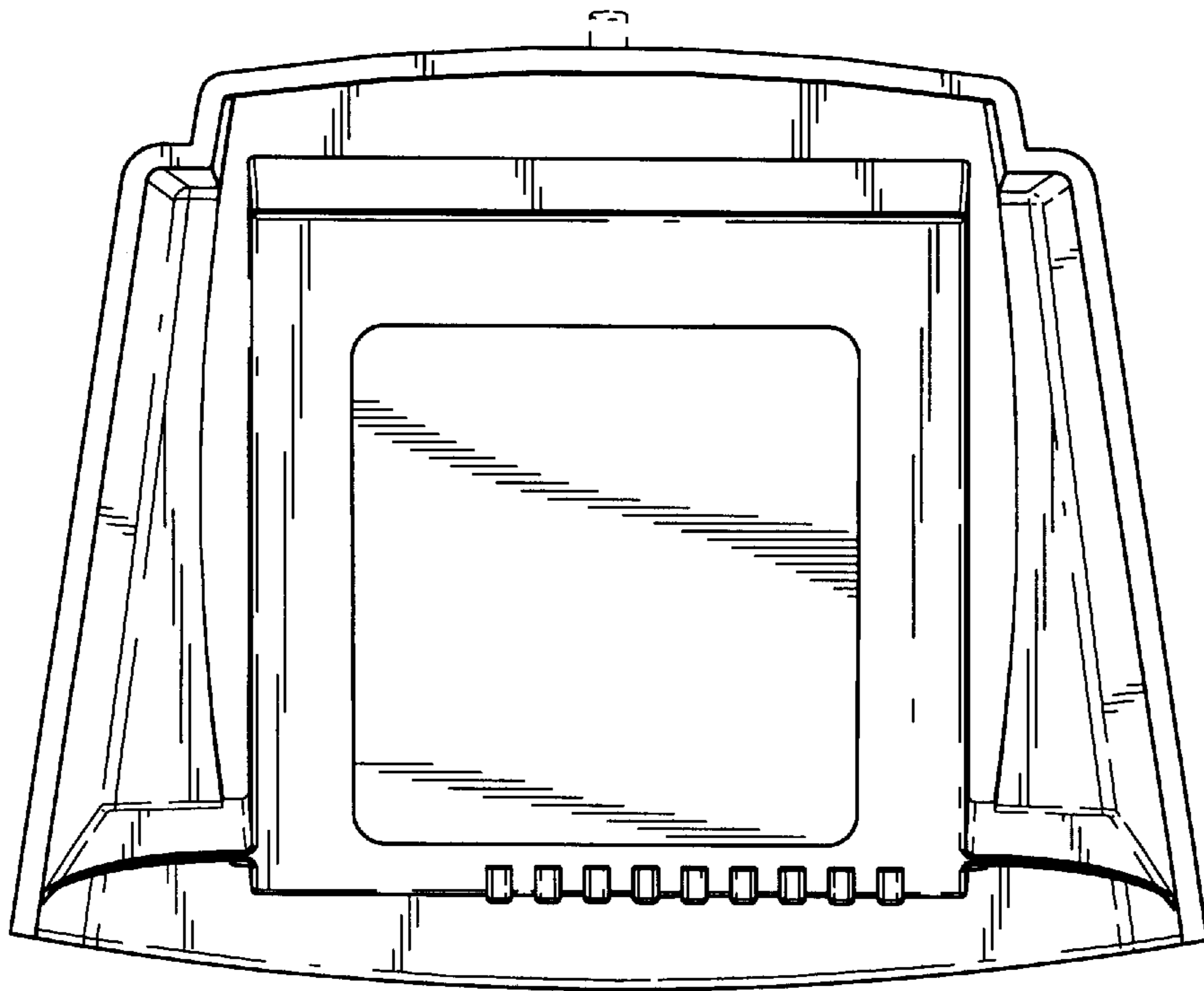


FIG. 8

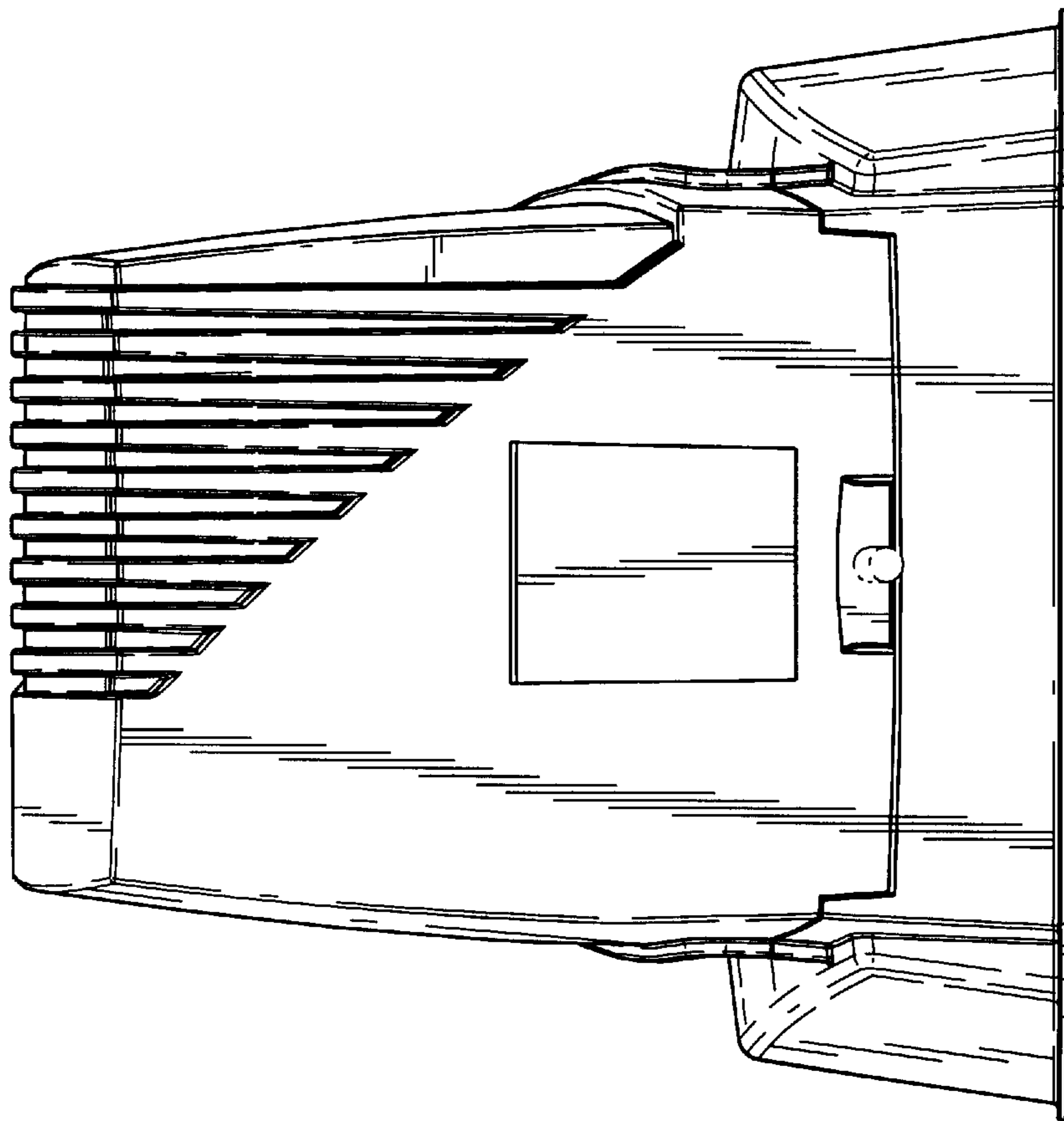


FIG. 7