



US00D448838B1

(12) **United States Design Patent**  
**Galeazzi et al.**

(10) **Patent No.:** **US D448,838 S**

(45) **Date of Patent:** **\*\* Oct. 2, 2001**

(54) **AIR CONDITIONING CONSOLE**  
(75) Inventors: **Giuliano Galeazzi**, Velate; **Roberto Aliprandi**, Villasanta; **Giorgio Rusignuolo**, Vedano Al Lambro, all of (IT)

D. 423,658 \* 4/2000 Negrao et al. .... D23/354  
D. 425,974 \* 5/2000 Esty et al. .... D23/354  
5,230,655 \* 7/1993 Thompson et al. .... 454/202

\* cited by examiner

(73) Assignee: **Carrier Corporation**, Syracuse, NY (US)

*Primary Examiner*—B. J. Bullock

(\*\*) Term: **14 Years**

(57) **CLAIM**

The ornamental design for an air conditioning console, as shown and described.

(21) Appl. No.: **29/130,687**

**DESCRIPTION**

(22) Filed: **Oct. 6, 2000**

(51) **LOC (7) Cl.** ..... **03-04**

(52) **U.S. Cl.** ..... **D23/354**

(58) **Field of Search** ..... D23/351-354,  
D23/333, 387, 388; 312/236; 62/259.1,  
262, 263; 454/201-204, 349-351, 354,  
330-332

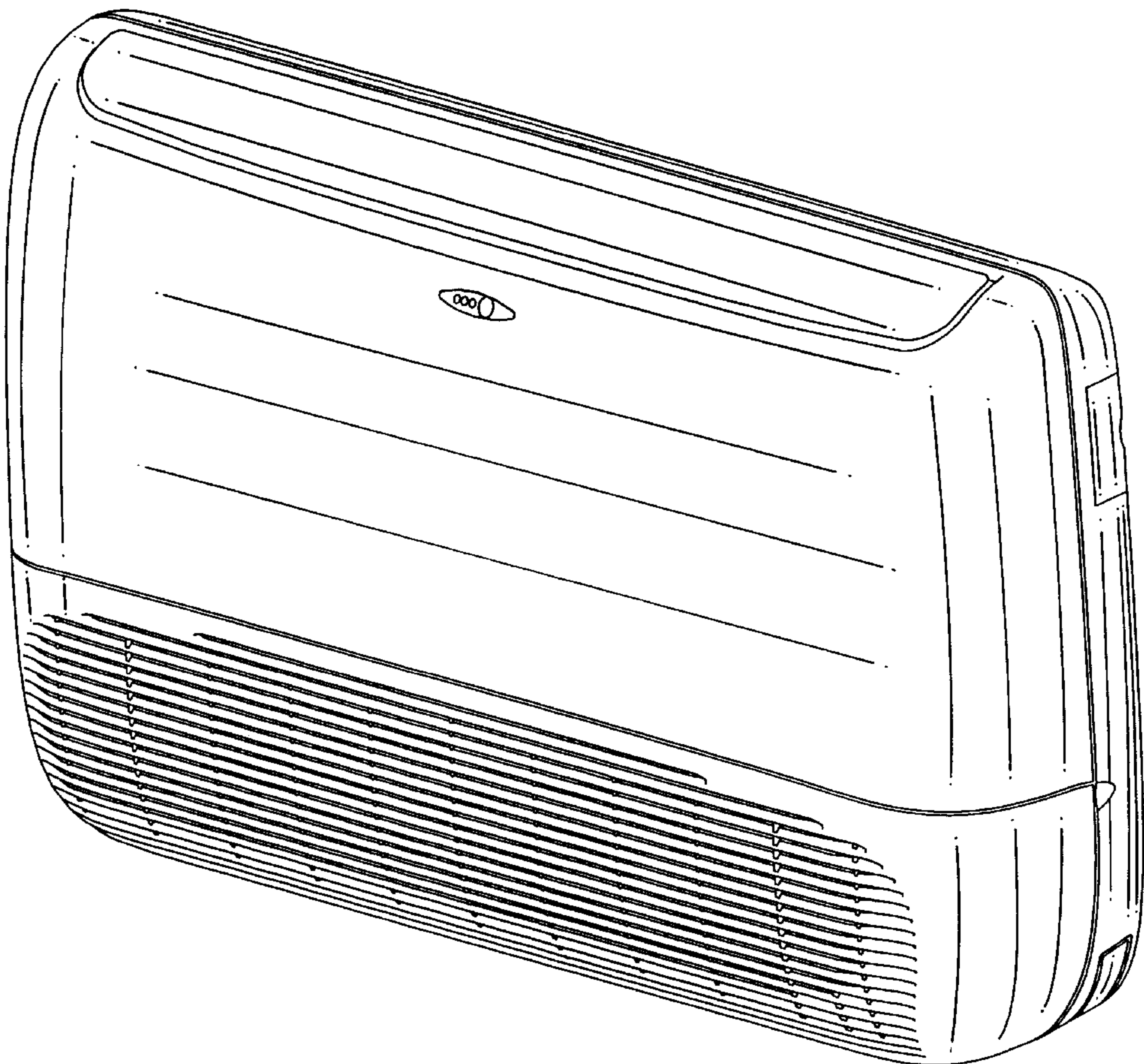
FIG. 1 is a perspective view of the air conditioning console;  
FIG. 2 is a front view of the air conditioning console;  
FIG. 3 is a top view of the air conditioning console;  
FIG. 4 is a bottom view of the air conditioning console;  
FIG. 5 is a left side view of the air conditioning console; and,  
FIG. 6 is a right side view of the air conditioning console.  
FIGS. 2-6 are shown on an enlarged scale.

(56) **References Cited**

**U.S. PATENT DOCUMENTS**

D. 154,605 \* 7/1949 Guild et al. .

**1 Claim, 4 Drawing Sheets**



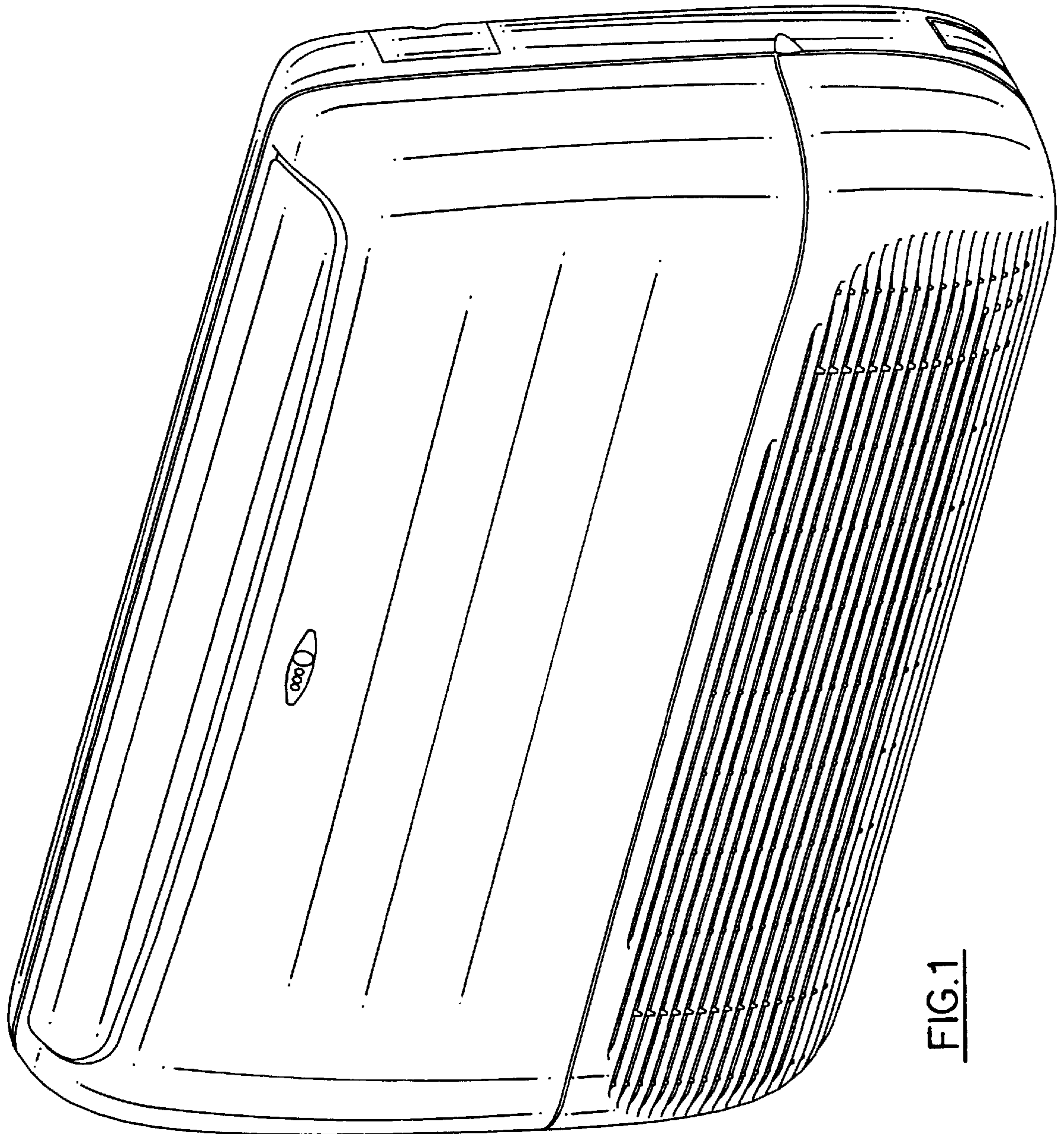


FIG.1

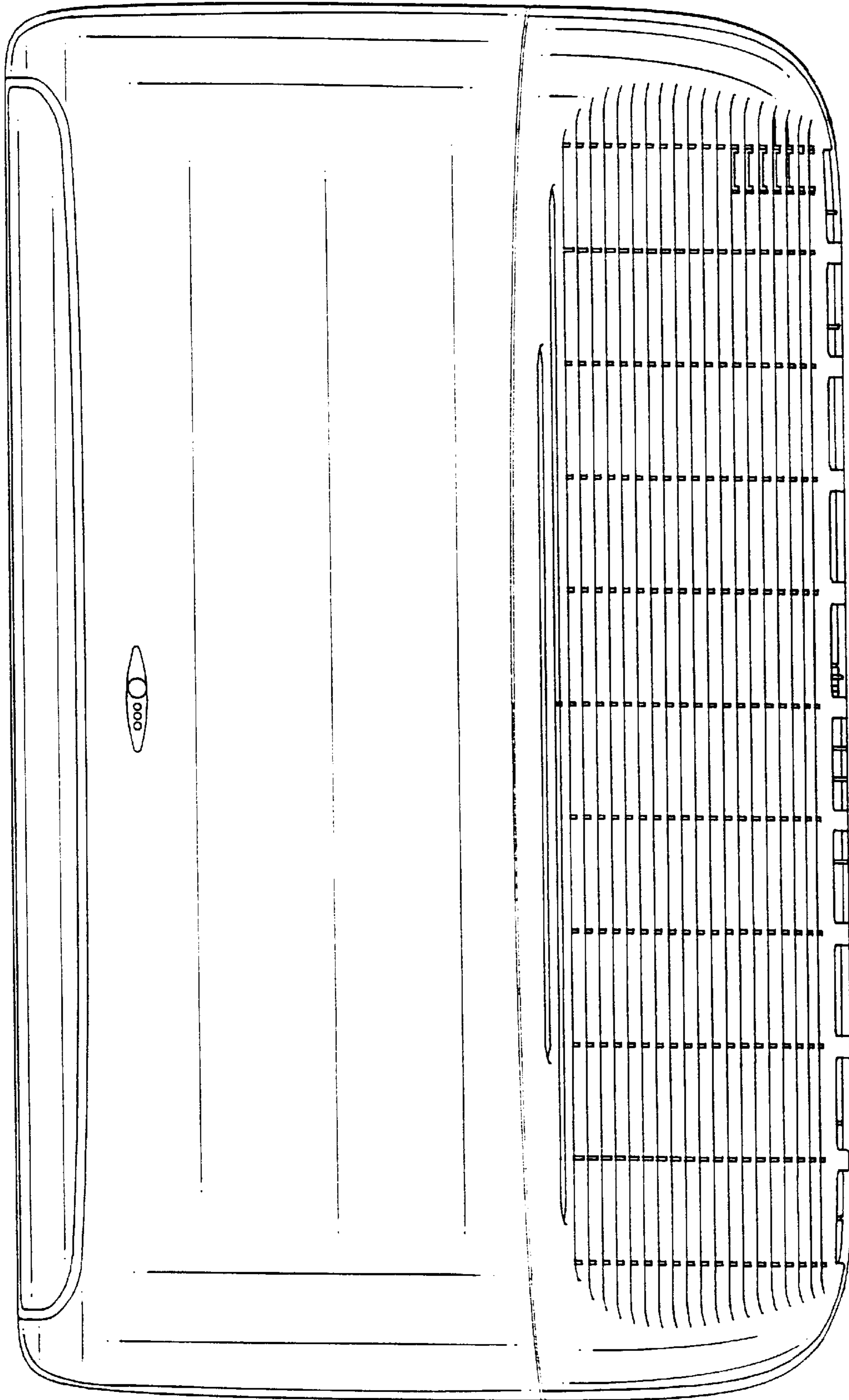


FIG. 2

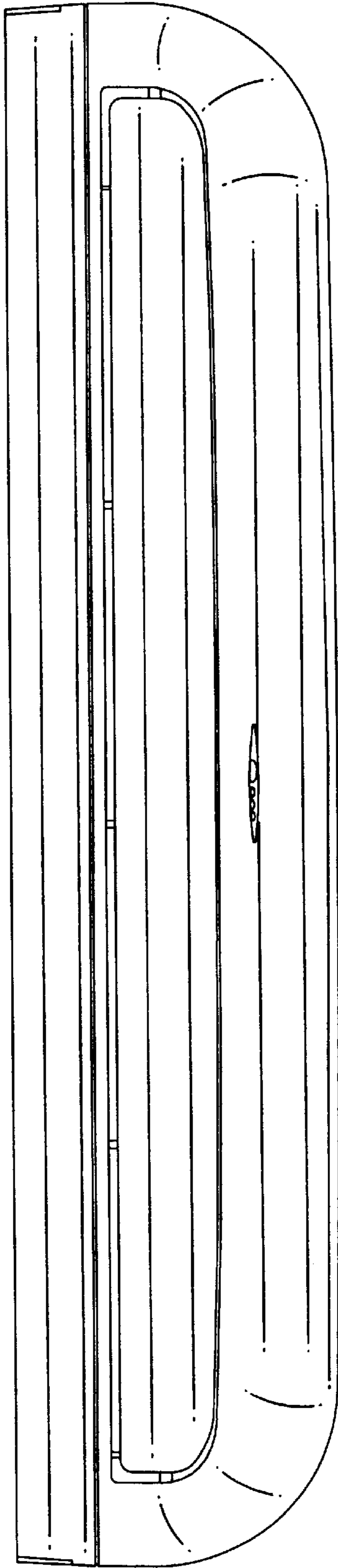


FIG. 3

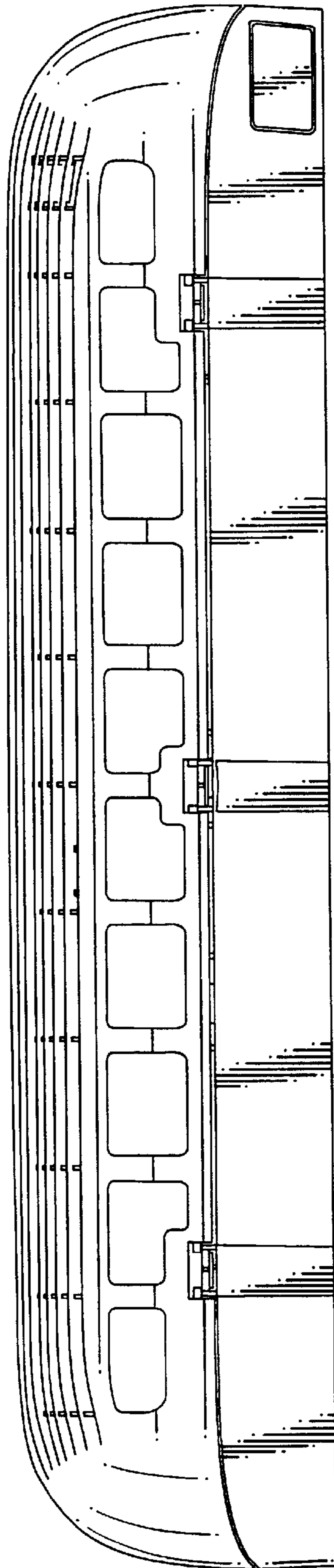


FIG. 4

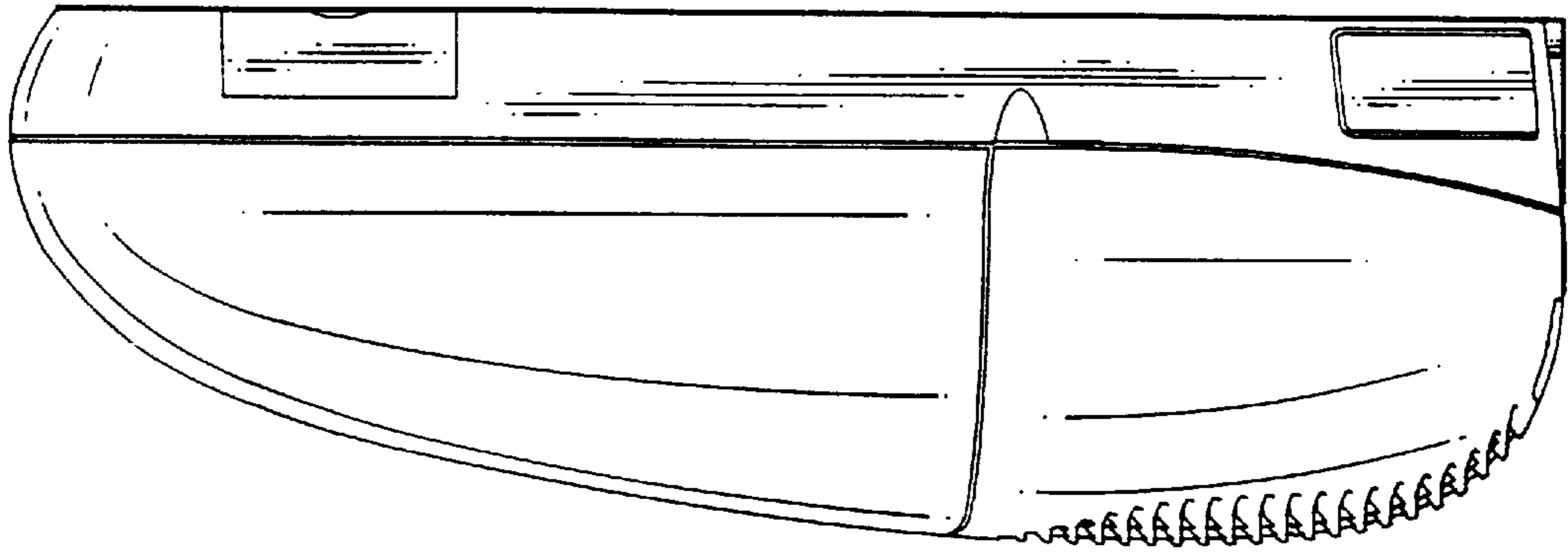


FIG. 6

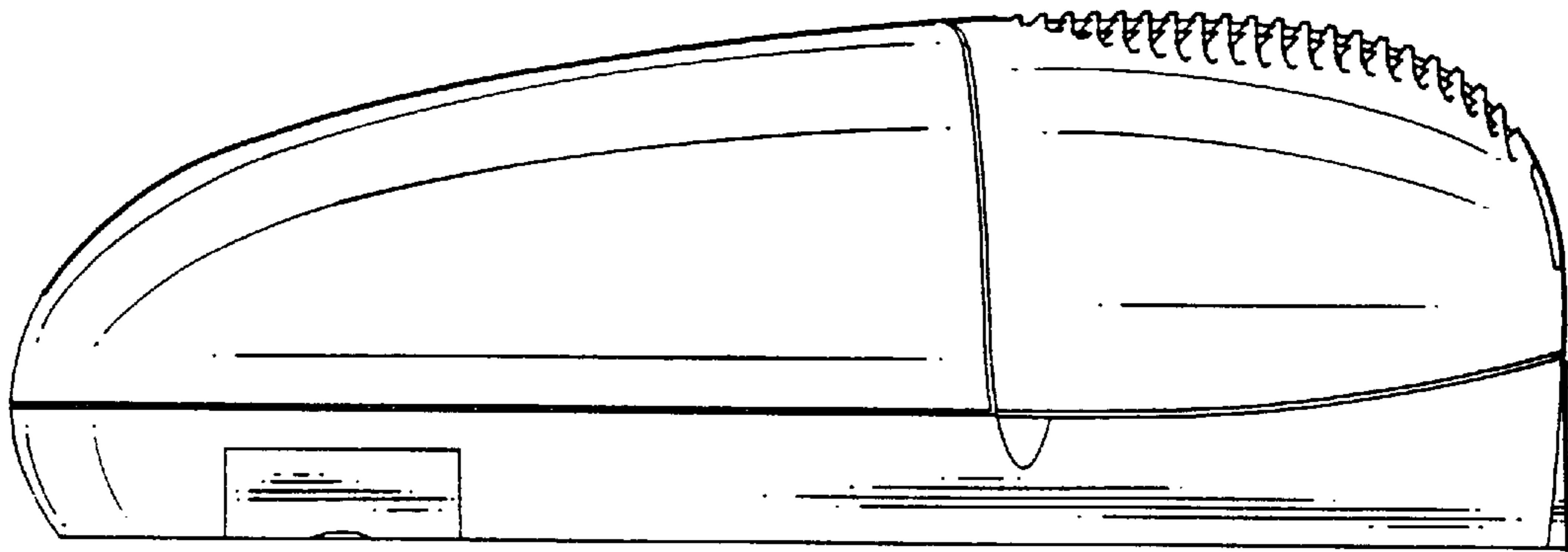


FIG. 5