



US00D448832B1

(12) **United States Design Patent**
Fabian et al.

(10) **Patent No.:** **US D448,832 S**

(45) **Date of Patent:** **** *Oct. 2, 2001**

(54) **FAUCET**

(75) **Inventors:** **Wolfgang Fabian**, Mannheim (DE);
Brian Hunter, Nederland, CO (US)

(73) **Assignee:** **American Standard International Inc.**, New York, NY (US)

(*) **Notice:** This patent is subject to a terminal disclaimer.

(**) **Term:** **14 Years**

(21) **Appl. No.:** **29/121,370**

(22) **Filed:** **Apr. 5, 2000**

(51) **LOC (7) Cl.** **23-01**

(52) **U.S. Cl.** **D23/238**

(58) **Field of Search** D23/238-243,
D23/250-257; 4/675-678; 137/801

(56) **References Cited**

U.S. PATENT DOCUMENTS

D. 376,414 * 12/1996 Doughty et al. D23/241

D. 388,158 * 12/1997 Doughty et al. D23/238

D. 400,648 * 11/1998 Fabian et al. D23/243

D. 406,319 * 3/1999 Lord D23/243

D. 428,969 * 8/2000 Pitsch D23/241

* cited by examiner

Primary Examiner—Louis S. Zarfes

Assistant Examiner—Gregory Andoll

(57) **CLAIM**

The ornamental design for a faucet, as shown and described.

DESCRIPTION

FIG. 1 is a perspective view of a faucet showing my new design;

FIG. 2 is a top plan view thereof;

FIG. 3 is a left side elevational view thereof;

FIG. 4 is a front elevational view thereof;

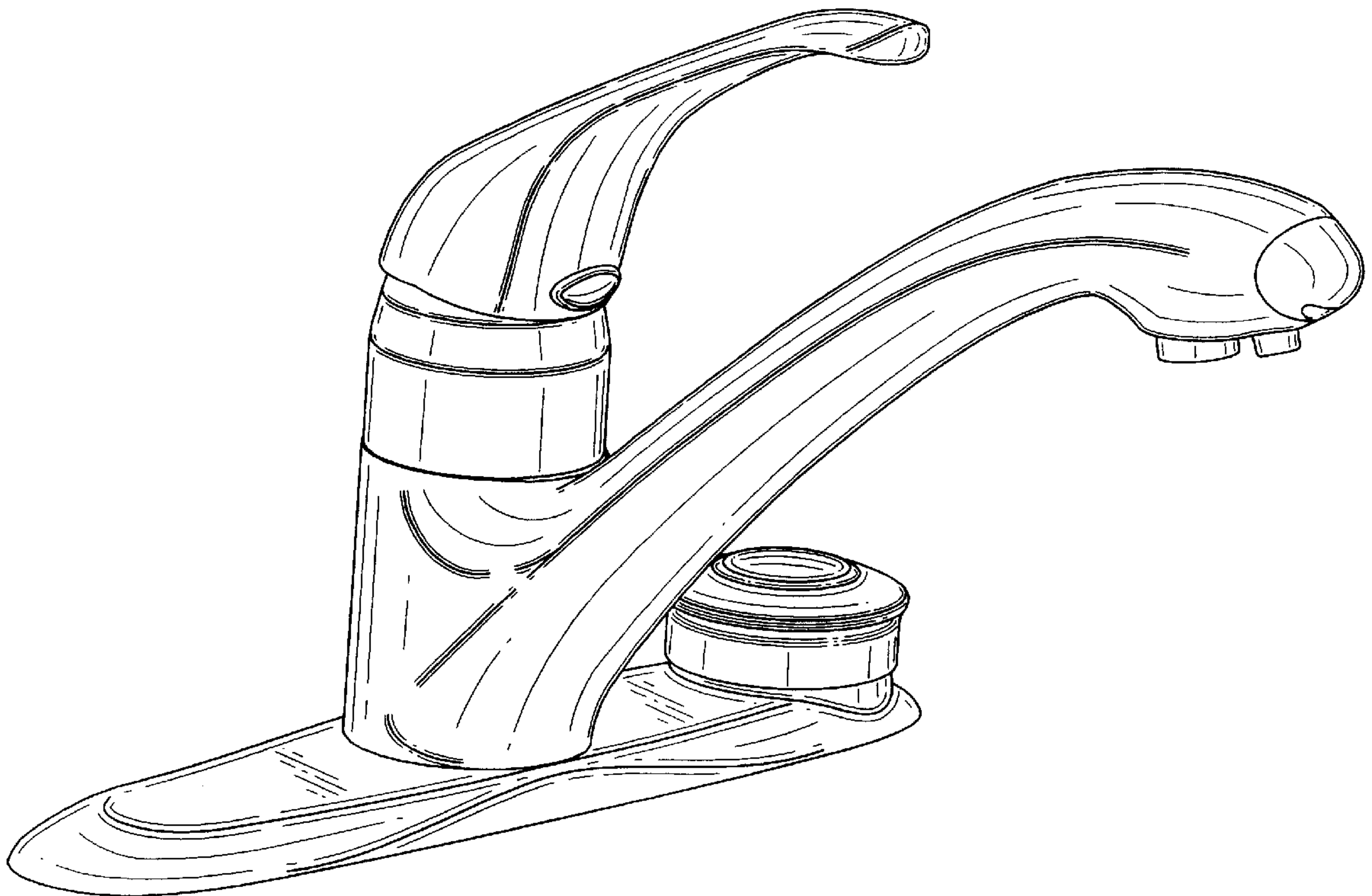
FIG. 5 is a rear elevational view thereof;

FIG. 6 is a right side elevational view thereof; and,

FIG. 7 is a bottom plan view thereof.

The broken lines in FIG. 7 are for illustrative purposes only and form no part of the claimed design.

1 Claim, 7 Drawing Sheets



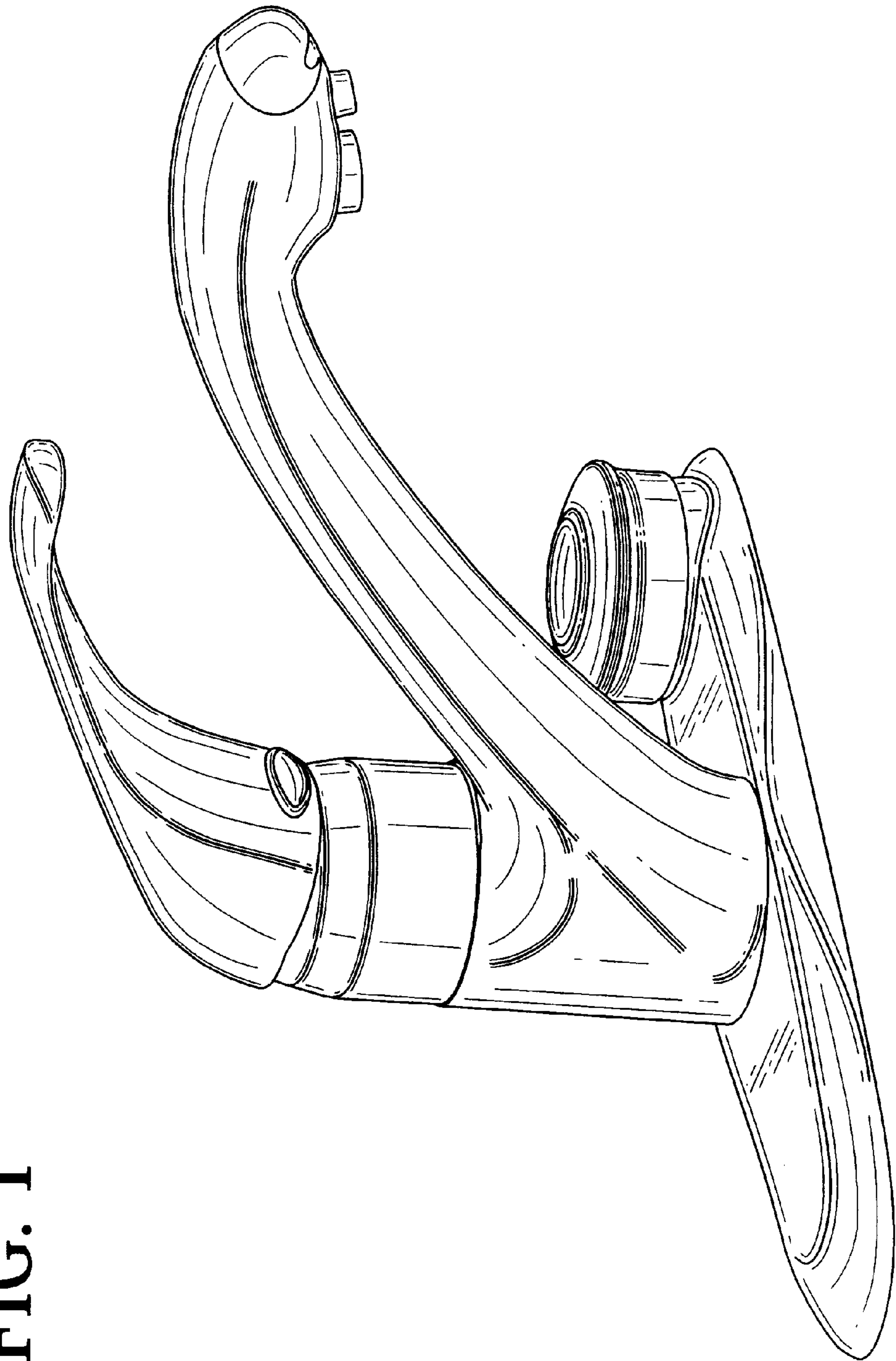


FIG. 1

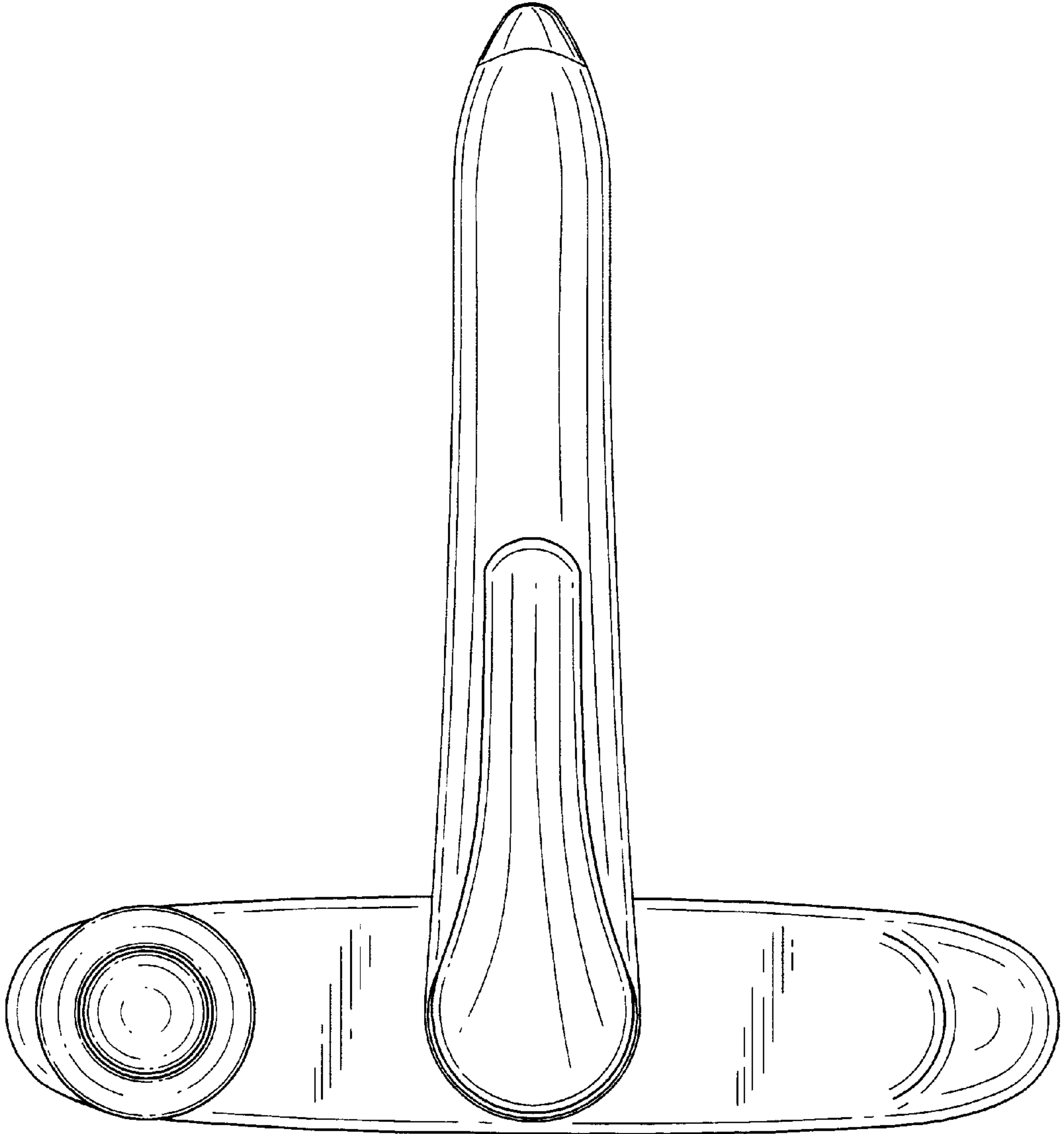


FIG. 2

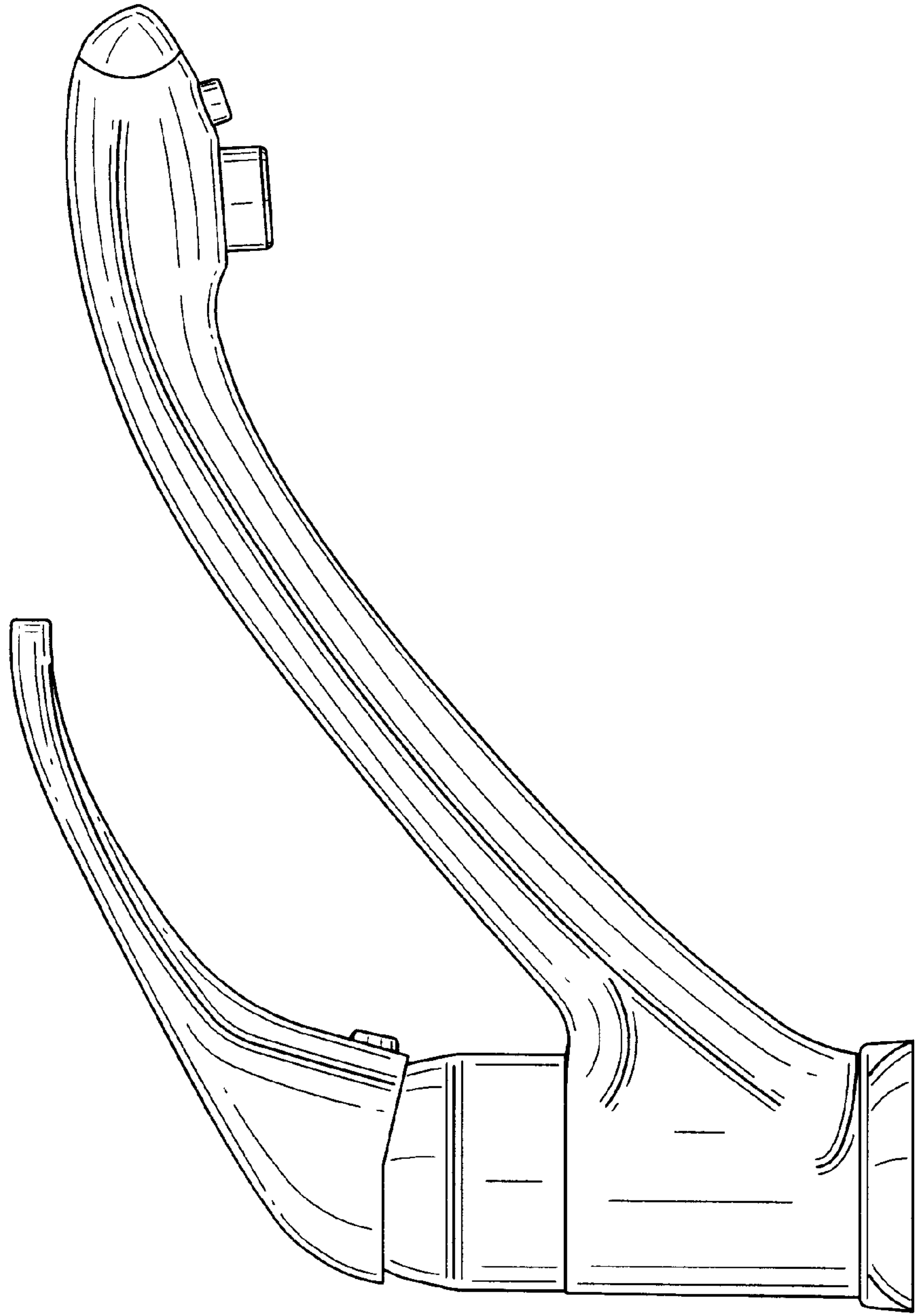


FIG. 3

FIG. 4

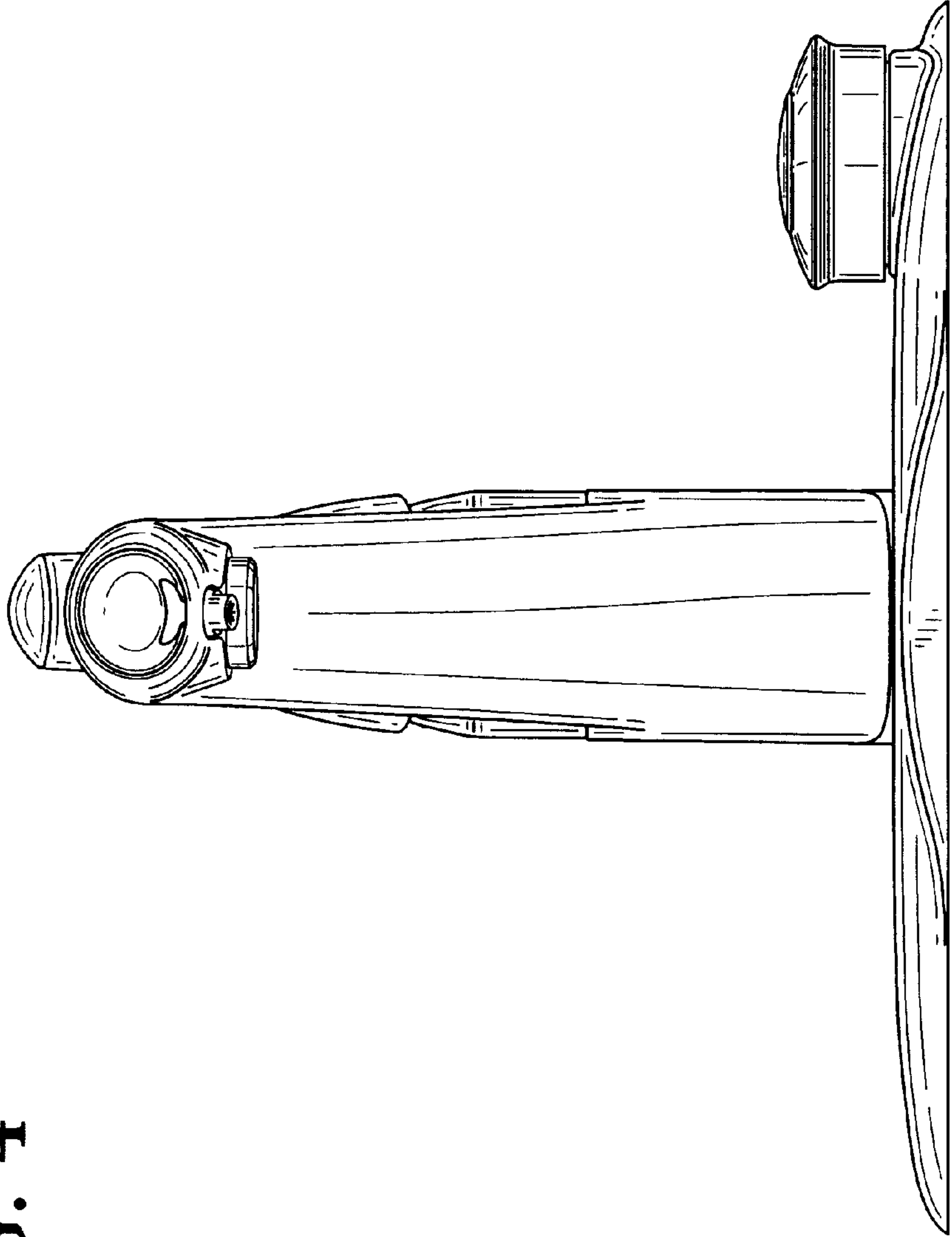
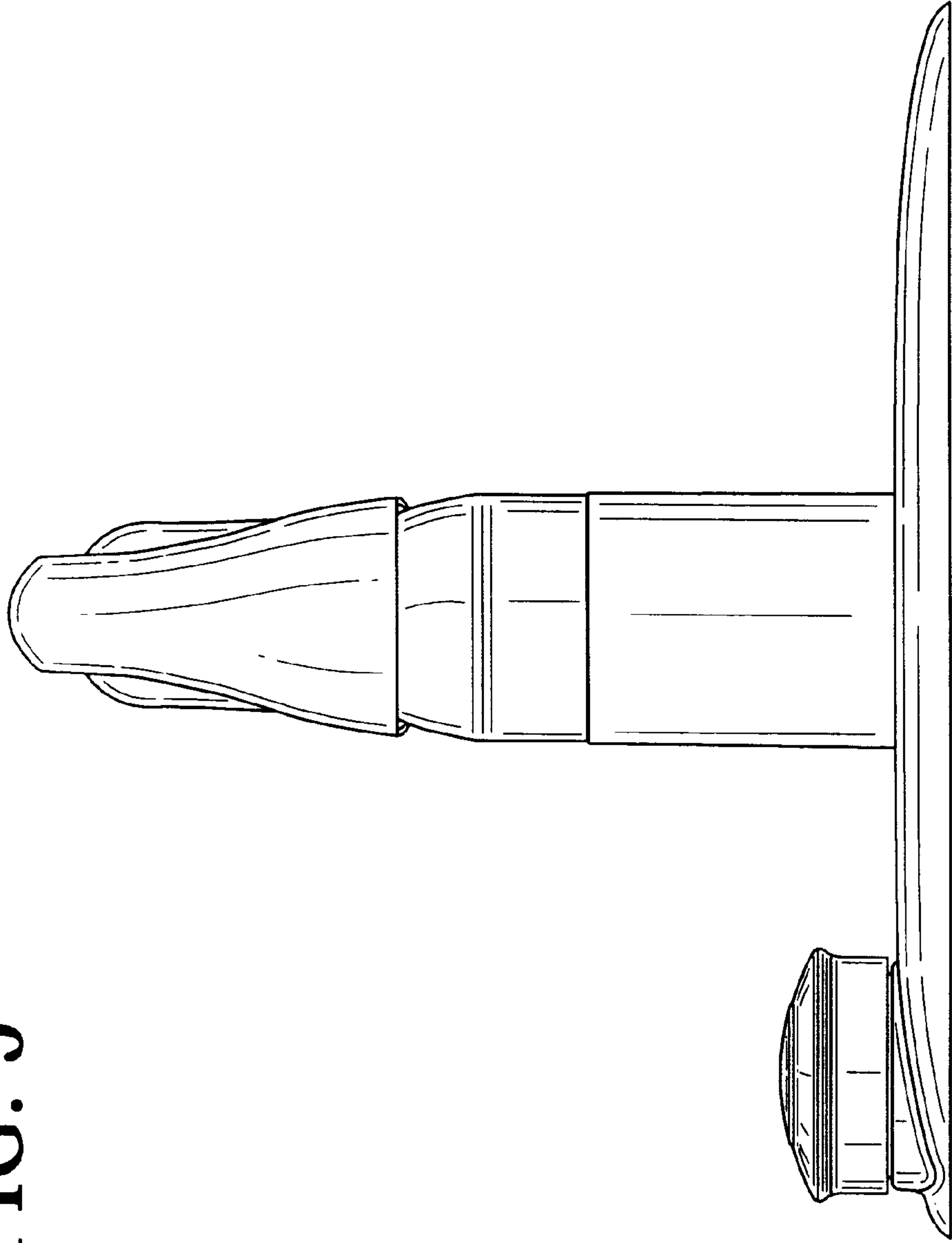


FIG. 5



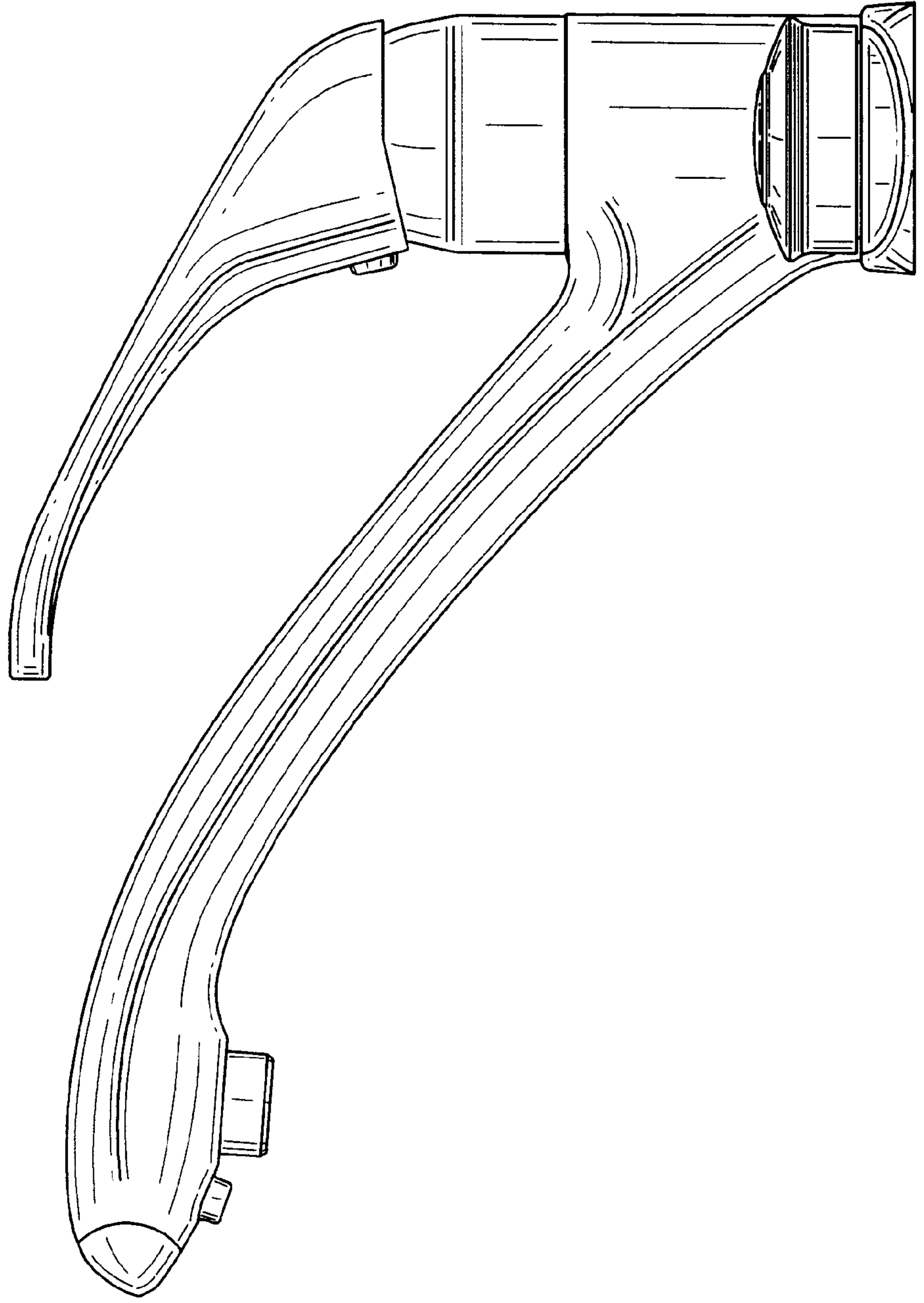


FIG. 6

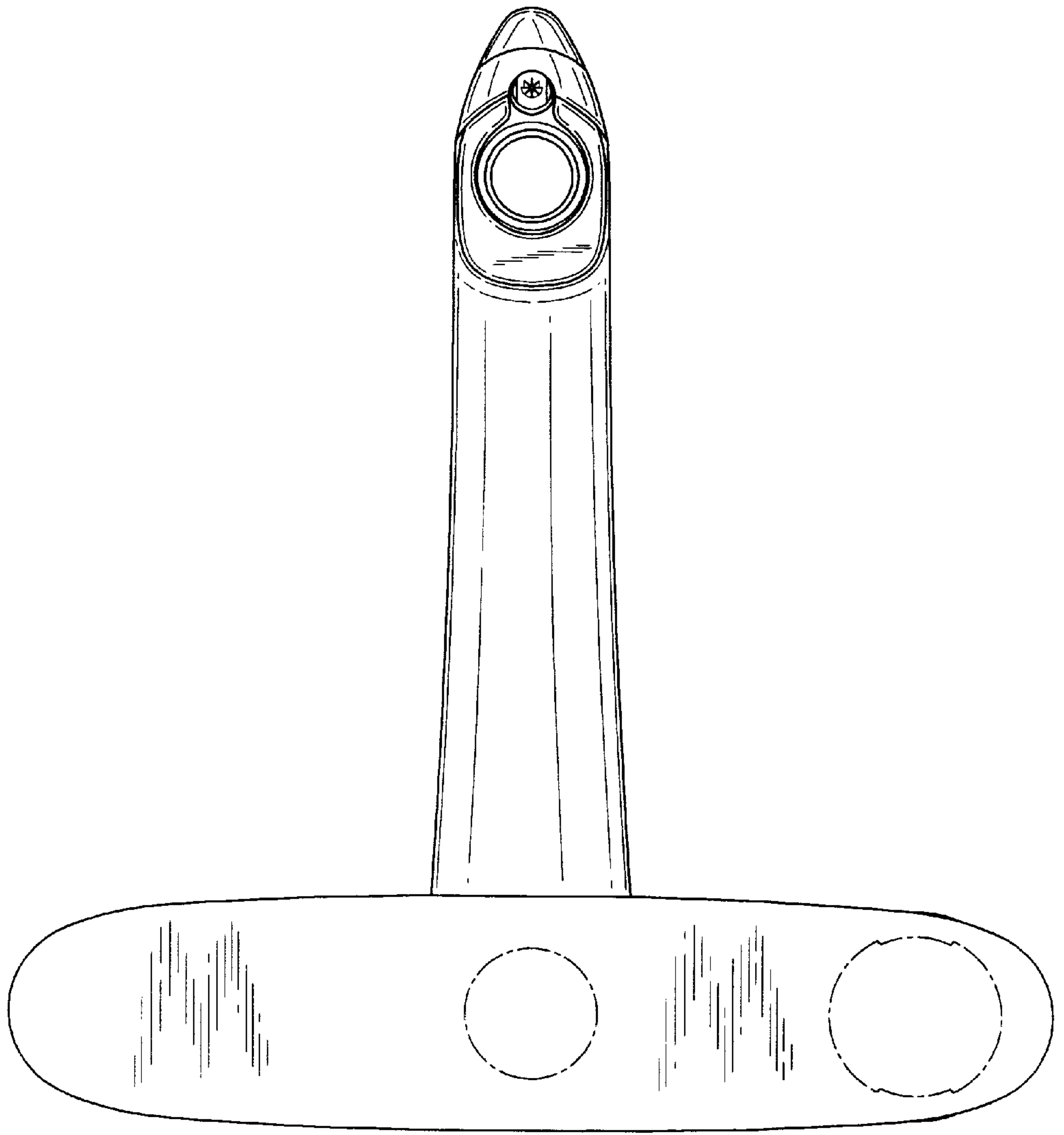


FIG. 7