



US00D448830B1

(12) **United States Design Patent**
Turnbull et al.

(10) **Patent No.:** **US D448,830 S**

(45) **Date of Patent:** **** Oct. 2, 2001**

(54) **TRIGGER SPRAYER**

(75) Inventors: **Clifford W. Turnbull; William N. Turnbull**, both of Auburn, WA (US)

(73) Assignee: **Trade Associates, Inc.**, Auburn, WA (US)

(**) Term: **14 Years**

(21) Appl. No.: **29/132,358**

(22) Filed: **Nov. 6, 2000**

(51) **LOC (7) Cl.** **23-01**

(52) **U.S. Cl.** **D23/226**

(58) **Field of Search** D23/213, 223,
D23/226; 361/227, 228; 239/690, 691,
525

(56) **References Cited**

U.S. PATENT DOCUMENTS

- D. 133,394 * 8/1942 Sunberg et al. D23/226
- D. 305,057 * 12/1989 Morgan D23/226

- D. 314,421 * 2/1991 Sato et al. D23/226
- D. 405,503 * 2/1999 Endo D23/226
- 4,993,642 * 2/1991 Hufgard 239/526
- 6,131,825 * 10/2000 Hsu 239/526

* cited by examiner

Primary Examiner—Robin V. Taylor

(74) *Attorney, Agent, or Firm*—Dorsey & Whitney LLP

(57) **CLAIM**

The ornamental design for a trigger sprayer, as shown and described.

DESCRIPTION

FIG. 1 is a front isometric view of a trigger sprayer showing our new design.

FIG. 2 is a left side elevational view thereof.

FIG. 3 is a top plan view thereof.

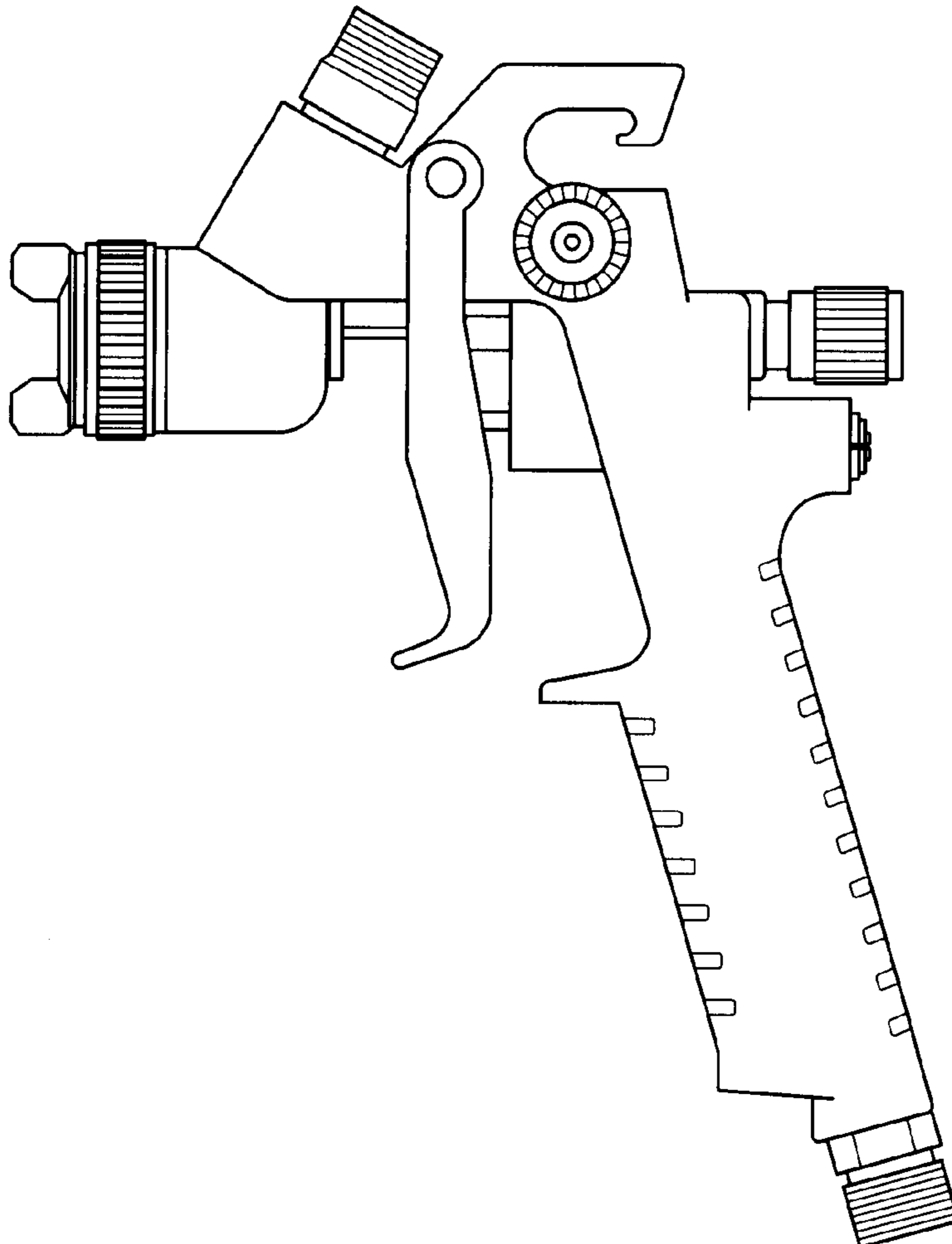
FIG. 4 is a front elevational view thereof.

FIG. 5 is a bottom plan view thereof.

FIG. 6 is a right side elevational view thereof; and,

FIG. 7 is a back elevational view thereof.

1 Claim, 2 Drawing Sheets



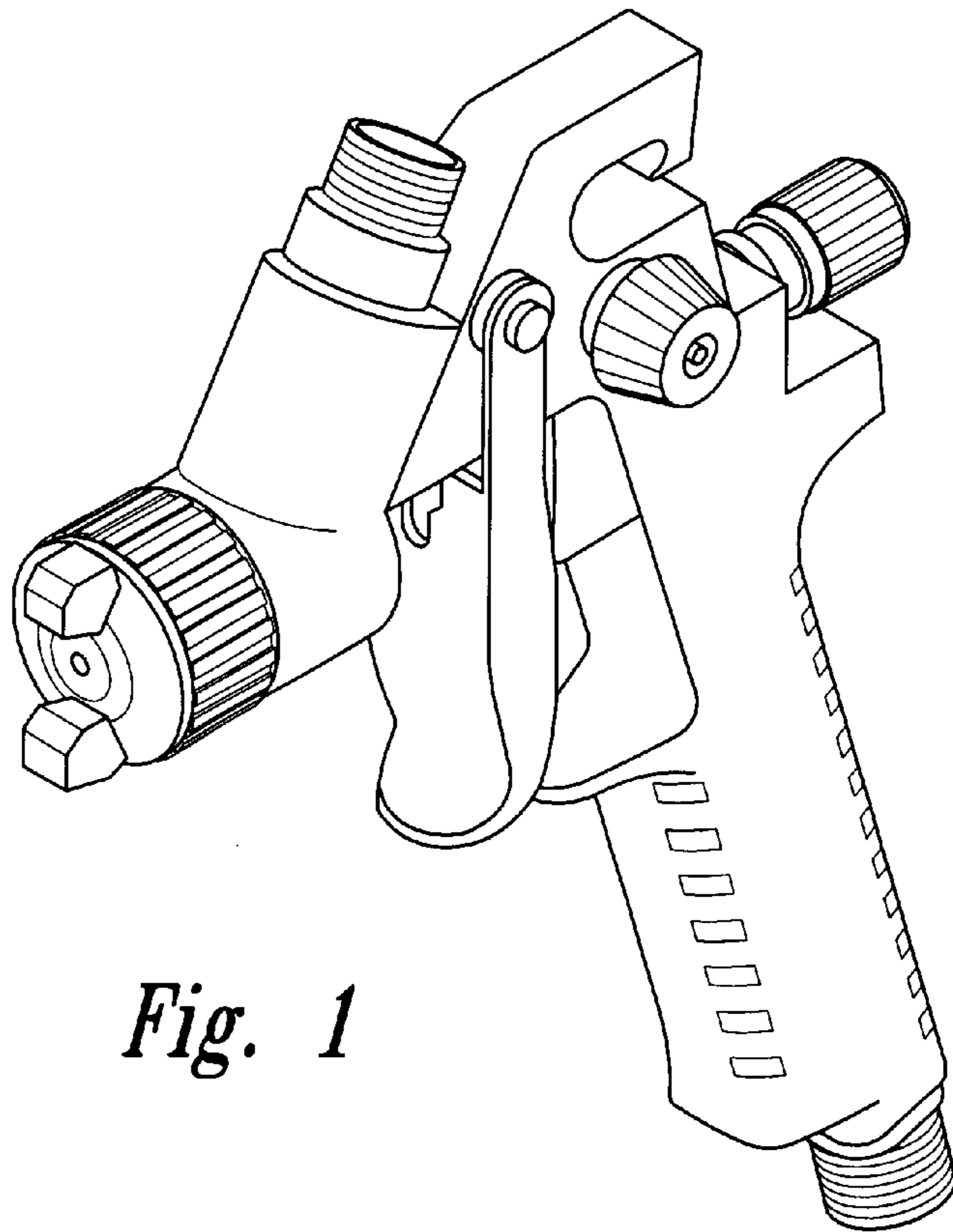


Fig. 1

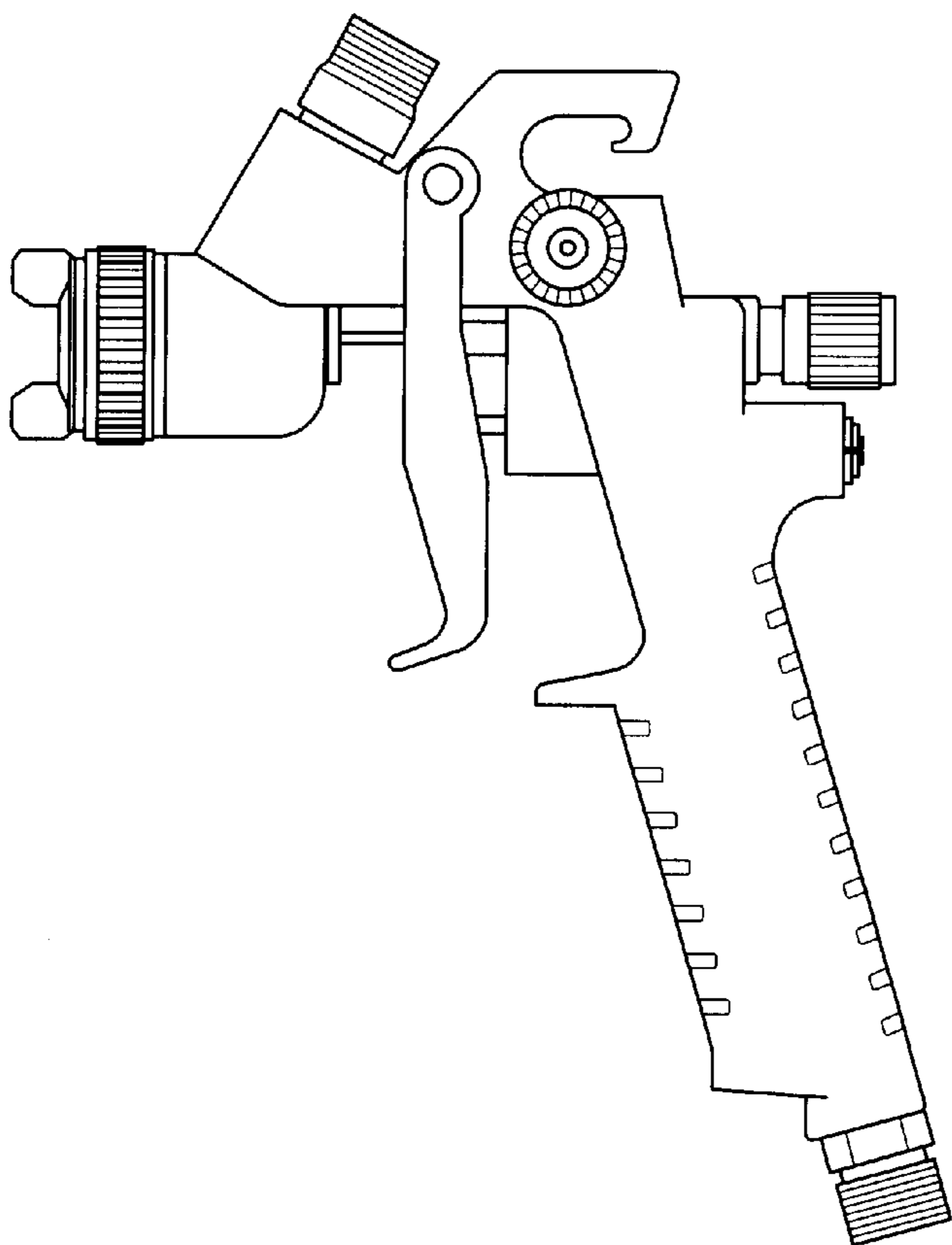


Fig. 2

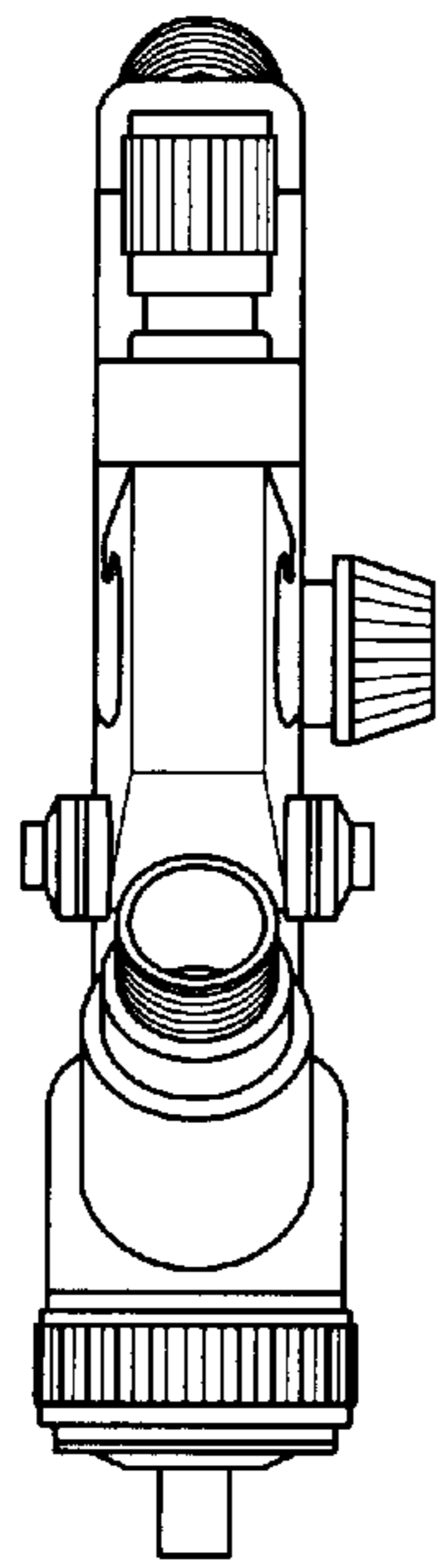


Fig. 3

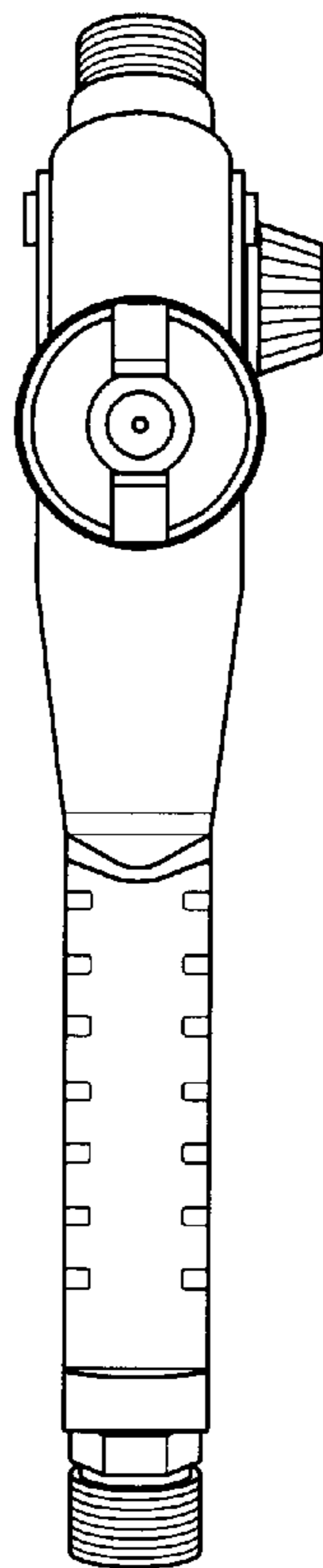


Fig. 4

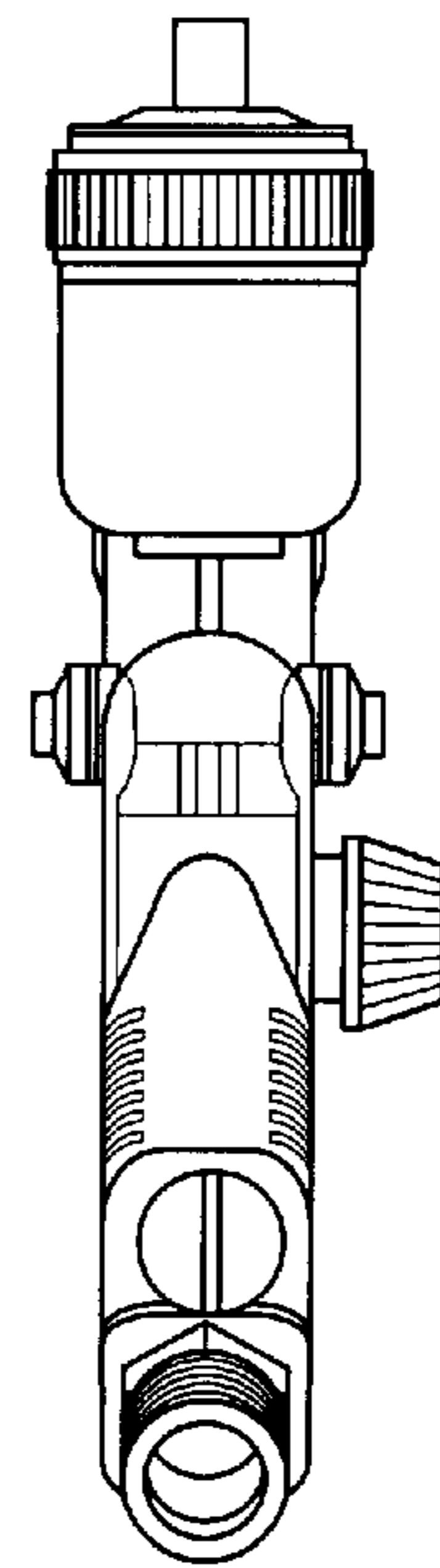


Fig. 5

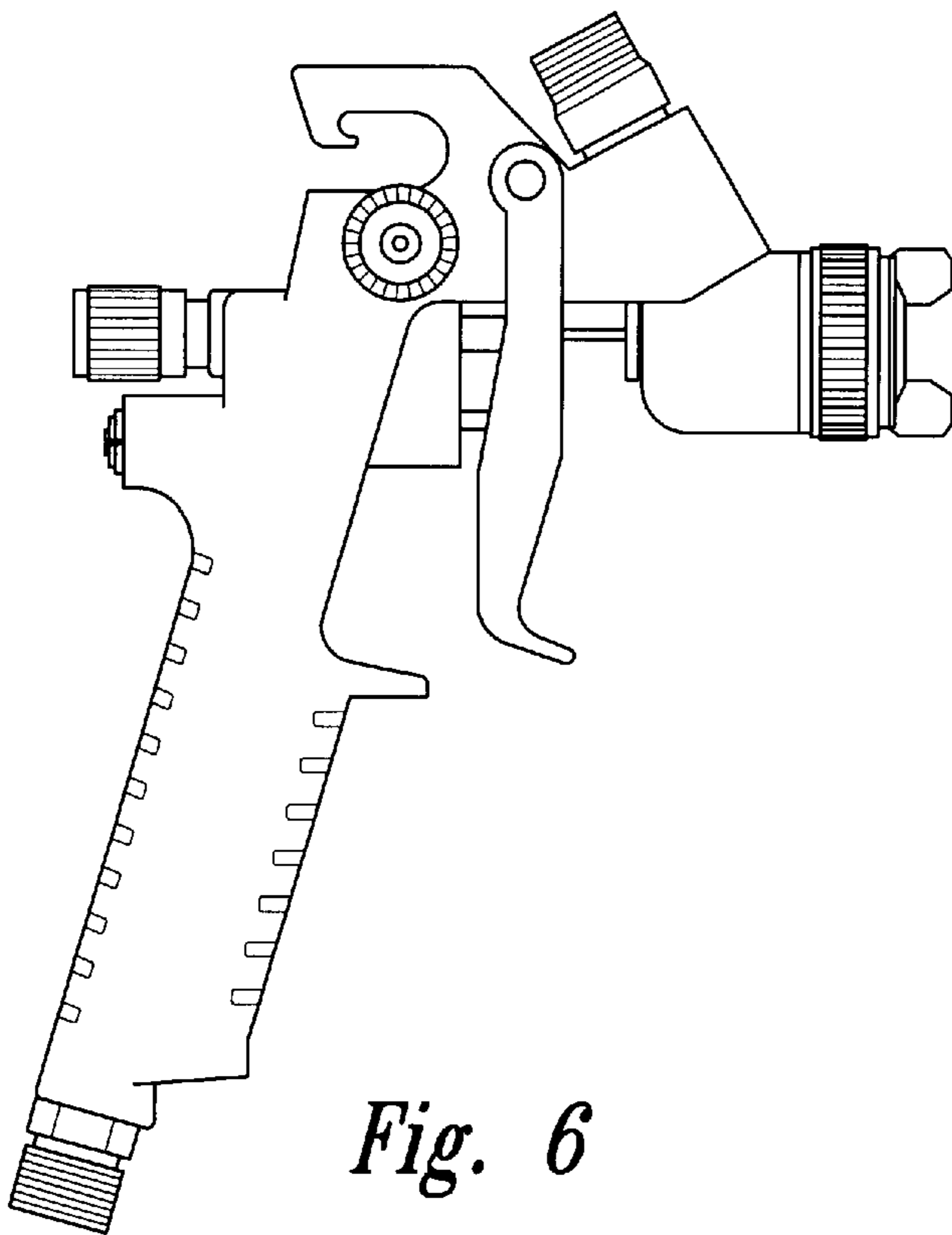


Fig. 6

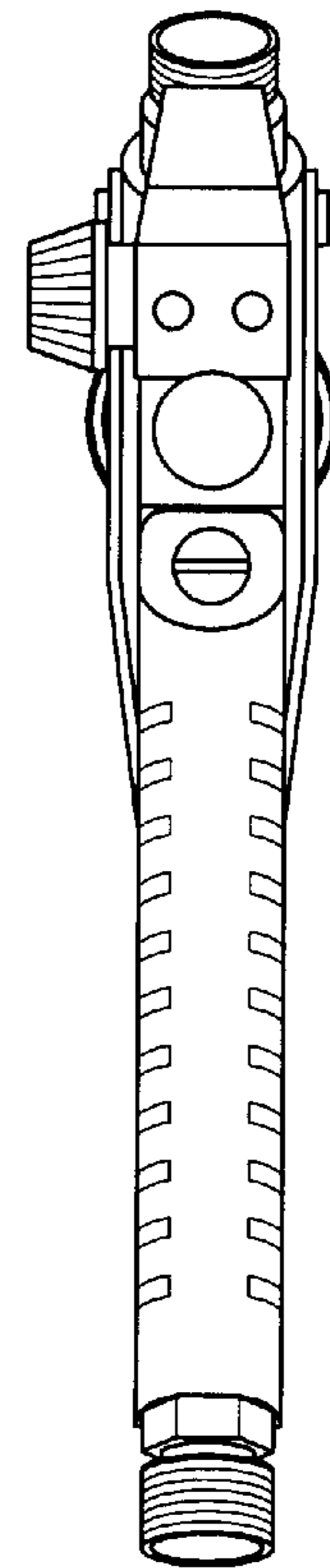


Fig. 7