



US00D448827B1

(12) **United States Design Patent**
Chipman

(10) **Patent No.:** **US D448,827 S**

(45) **Date of Patent:** **** Oct. 2, 2001**

(54) **ADJUSTABLE SLIDING ARCHERY BOW STABILIZER**

(76) Inventor: **Donald I. Chipman**, 10510 265th St.,
P.O. Box 889, Clear Lake, IA (US)
50428

(**) Term: **14 Years**

(21) Appl. No.: **29/127,332**

(22) Filed: **Aug. 3, 2000**

(51) **LOC (7) Cl.** **22-01**

(52) **U.S. Cl.** **D22/107**

(58) **Field of Search** D22/100, 107,
D22/199; 124/89

(56) **References Cited**

U.S. PATENT DOCUMENTS

D. 406,300	*	3/1999	Fitzgerald, Jr.	D22/107
4,135,486		1/1979	Enomoto .		
4,478,204		10/1984	Kocsan .		
4,640,258	*	2/1987	Penney et al.	124/89 X
5,090,396	*	2/1992	Bickel et al.	124/89
5,611,325	*	3/1997	Kudlacek	124/89
5,617,664	*	4/1997	Troncoso	124/89 X
5,669,370	*	9/1997	Breedlove	124/89
5,975,070	*	11/1999	Sands	124/89
5,996,570	*	12/1999	Legate	124/89
6,076,514	*	6/2000	Adams, Jr.	124/89

OTHER PUBLICATIONS

“Looking Far Into The Next Millennium!!!”, Specialty Archery Products, 1999 Product Catalog, USA.

* cited by examiner

Primary Examiner—Louis S. Zarfes

Assistant Examiner—Monica A. Weingart

(74) *Attorney, Agent, or Firm*—Rider, Bennett, Egan & Arundel

(57) **CLAIM**

The ornamental design for an adjustable sliding archery bow stabilizer, as shown and described.

DESCRIPTION

FIG. 1 is a top plan view showing my new design for an adjustable sliding archery bow stabilizer;

FIG. 2 is a bottom plan view;

FIG. 3 is a rear elevational view;

FIG. 4 is a cross-sectional view taken along the line 4—4 of FIG. 2;

FIG. 5 is a fragmentary cross-sectional view taken along the line 5—5 of FIG. 4;

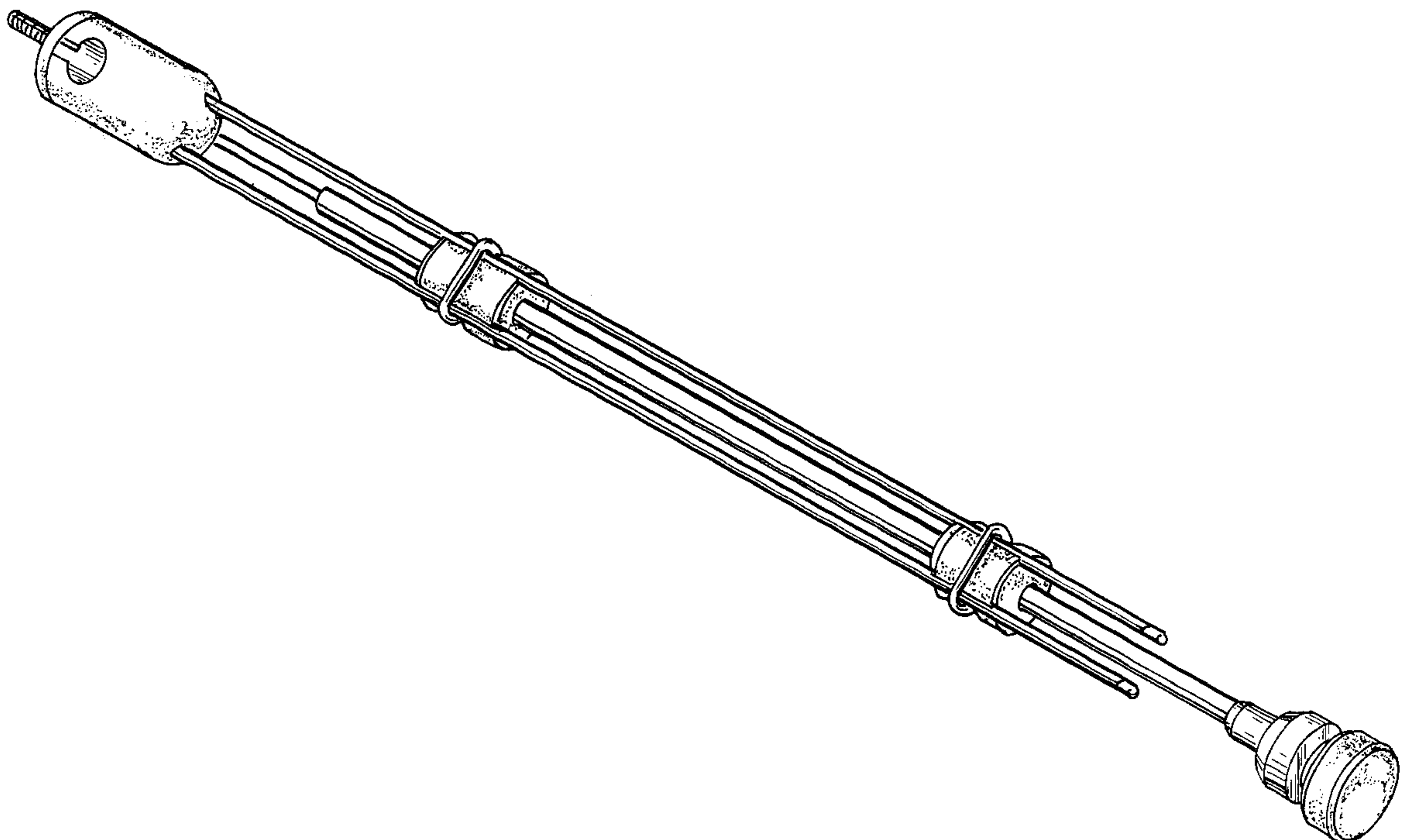
FIG. 6 is a front elevational view;

FIG. 7 is a fragmentary cross-sectional view taken the line 7—7 of FIG. 6 partially broken away; and,

FIG. 8 is a perspective view.

FIGS. 1 and 2 of the drawing have been shown broken away for ease of illustration.

1 Claim, 2 Drawing Sheets



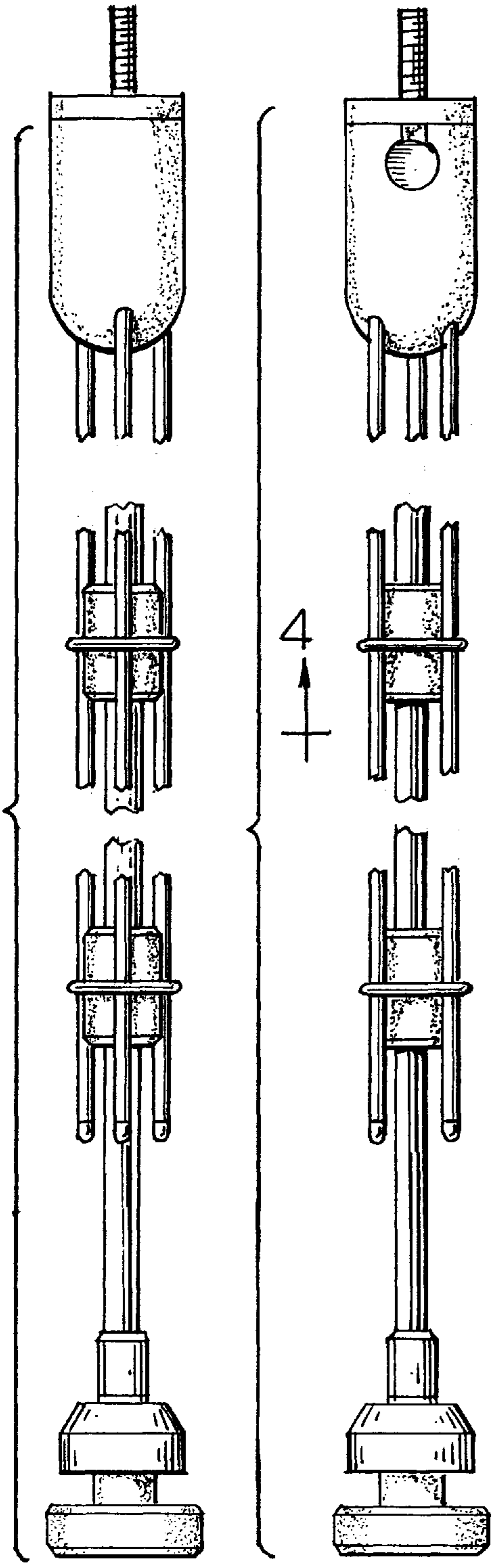


Fig. 1. Fig. 2.

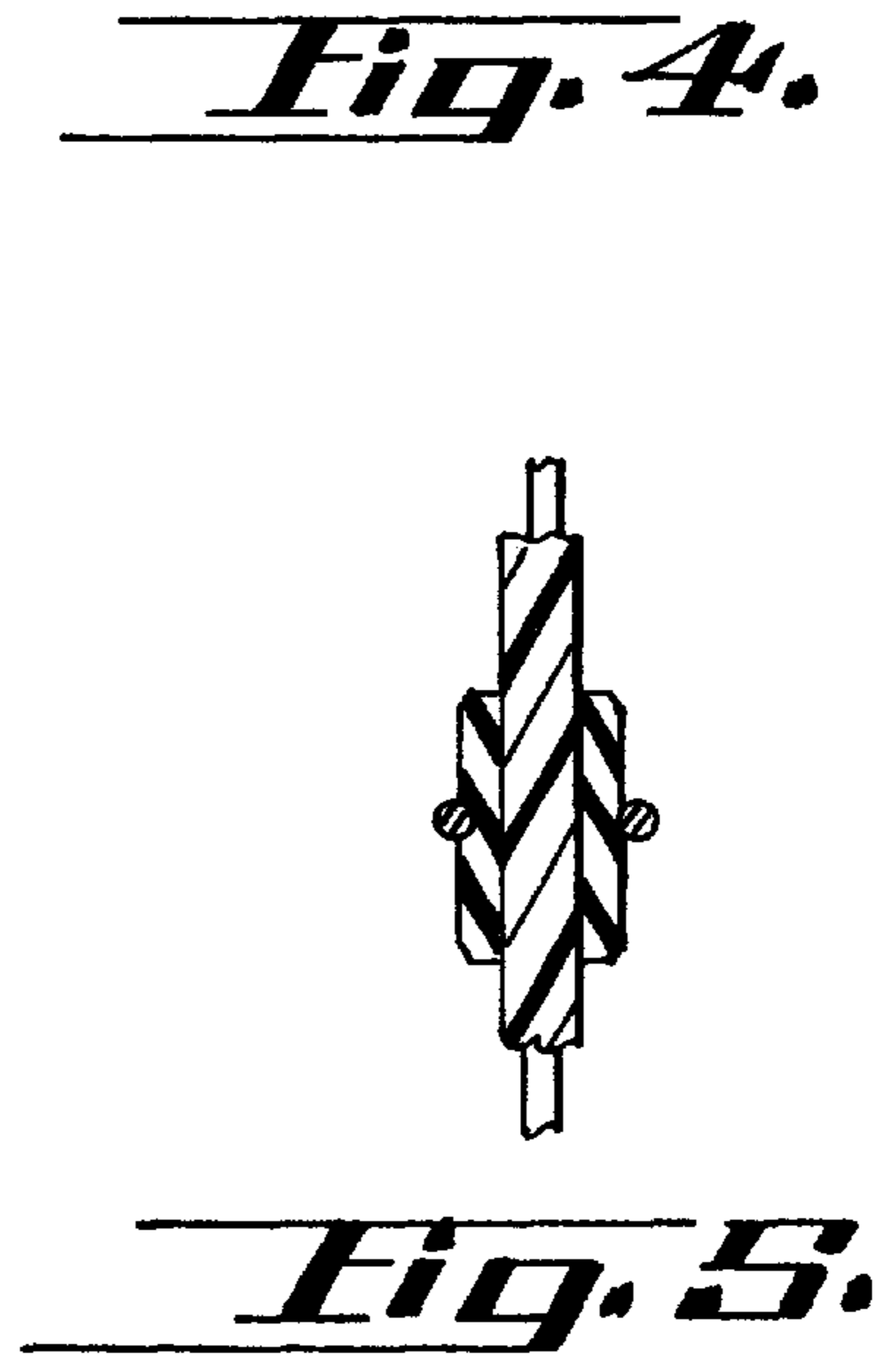
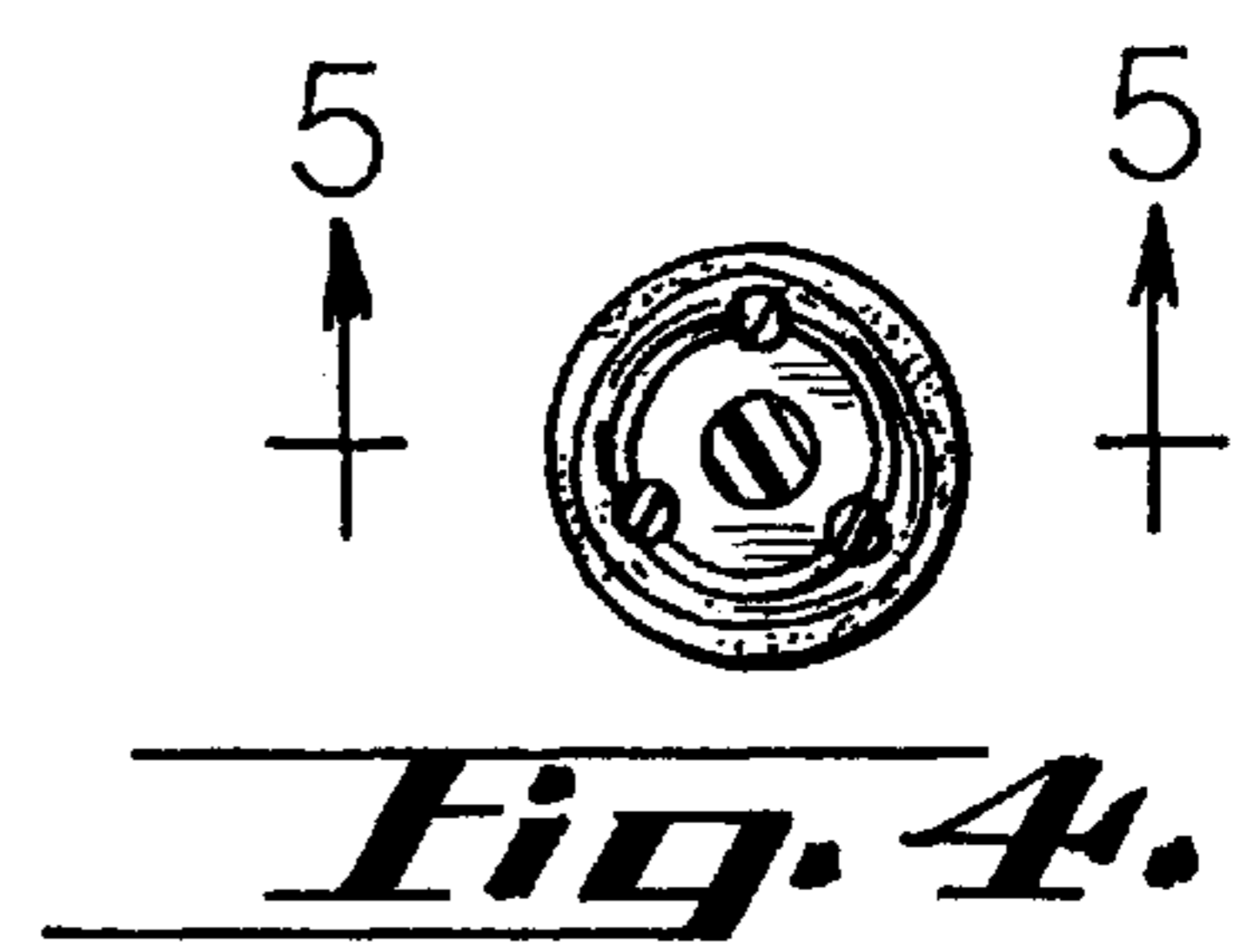


Fig. 5.

