



US00D448823B1

(12) **United States Design Patent**
Heifetz

(10) **Patent No.:** **US D448,823 S**

(45) **Date of Patent:** **** Oct. 2, 2001**

- (54) **GOLF CLUB HEAD**
- (76) Inventor: **Milton D. Heifetz**, 704 N. Bedford Dr., Beverly Hills, CA (US) 90210
- (**) Term: **14 Years**
- (21) Appl. No.: **29/131,622**
- (22) Filed: **Oct. 23, 2000**
- (51) **LOC (7) Cl.** **21-02**
- (52) **U.S. Cl.** **D21/733**
- (58) **Field of Search** D21/733, 752;
473/324, 327-331, 345, 346

5,199,707	4/1993	Knox .
5,346,217	9/1994	Tsuchiya et al. .
5,380,009	1/1995	Henry et al. .
5,497,992	3/1996	Ritke .
5,599,241	2/1997	Pritchett et al. .
5,788,584	8/1998	Parente et al. .
5,830,084	11/1998	Kosmatka .
6,024,653	2/2000	Goodrich .

* cited by examiner

Primary Examiner—Mitchell Siegel

(74) *Attorney, Agent, or Firm*—Kelly Bauersfeld Lowry & Kelley, LLP

(56) **References Cited**

U.S. PATENT DOCUMENTS

D. 213,382	*	2/1969	Risher	D21/733
D. 340,492	*	10/1993	Flood	D21/733
D. 371,408	*	7/1996	Ashcraft et al.	D21/733
D. 378,111	*	2/1997	Parente et al.	D21/752
D. 384,120	*	9/1997	De la Cruz et al.	D21/752
3,595,577		7/1971	Hodge .		
3,625,517		12/1971	Durnack .		
4,725,062		2/1988	Kinney, III .		
5,106,088		4/1992	Saito .		

(57) **CLAIM**

The ornamental design for a golf club head, as shown.

DESCRIPTION

FIG. 1 is a front elevational view of a golf club head embodying my new design;
 FIG. 2 is a rear elevational view thereof;
 FIG. 3 is a right side elevational view thereof;
 FIG. 4 is a left side elevational view thereof;
 FIG. 5 is a top plan view thereof; and,
 FIG. 6 is a bottom plan view thereof.

1 Claim, 2 Drawing Sheets

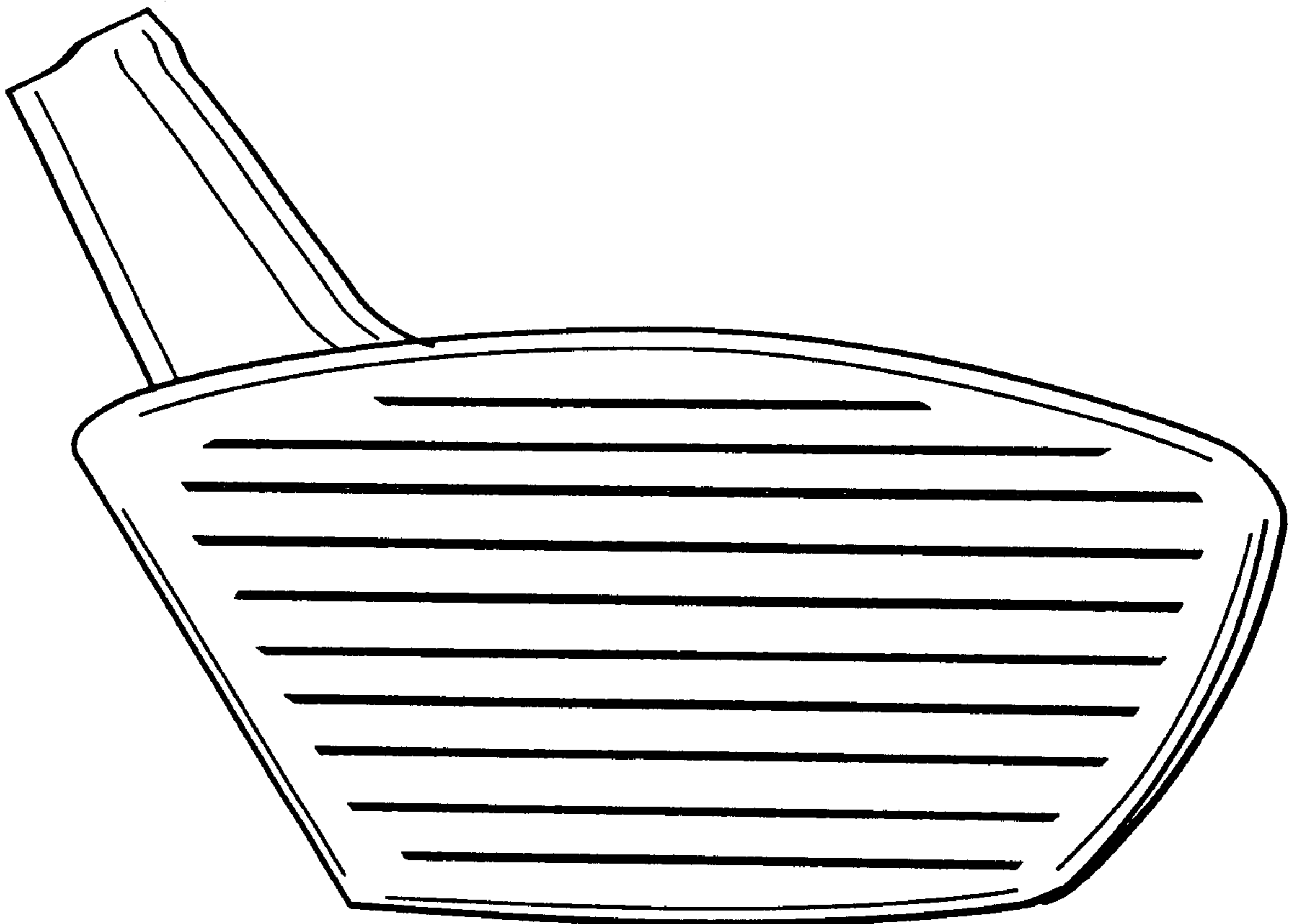


FIG. 1

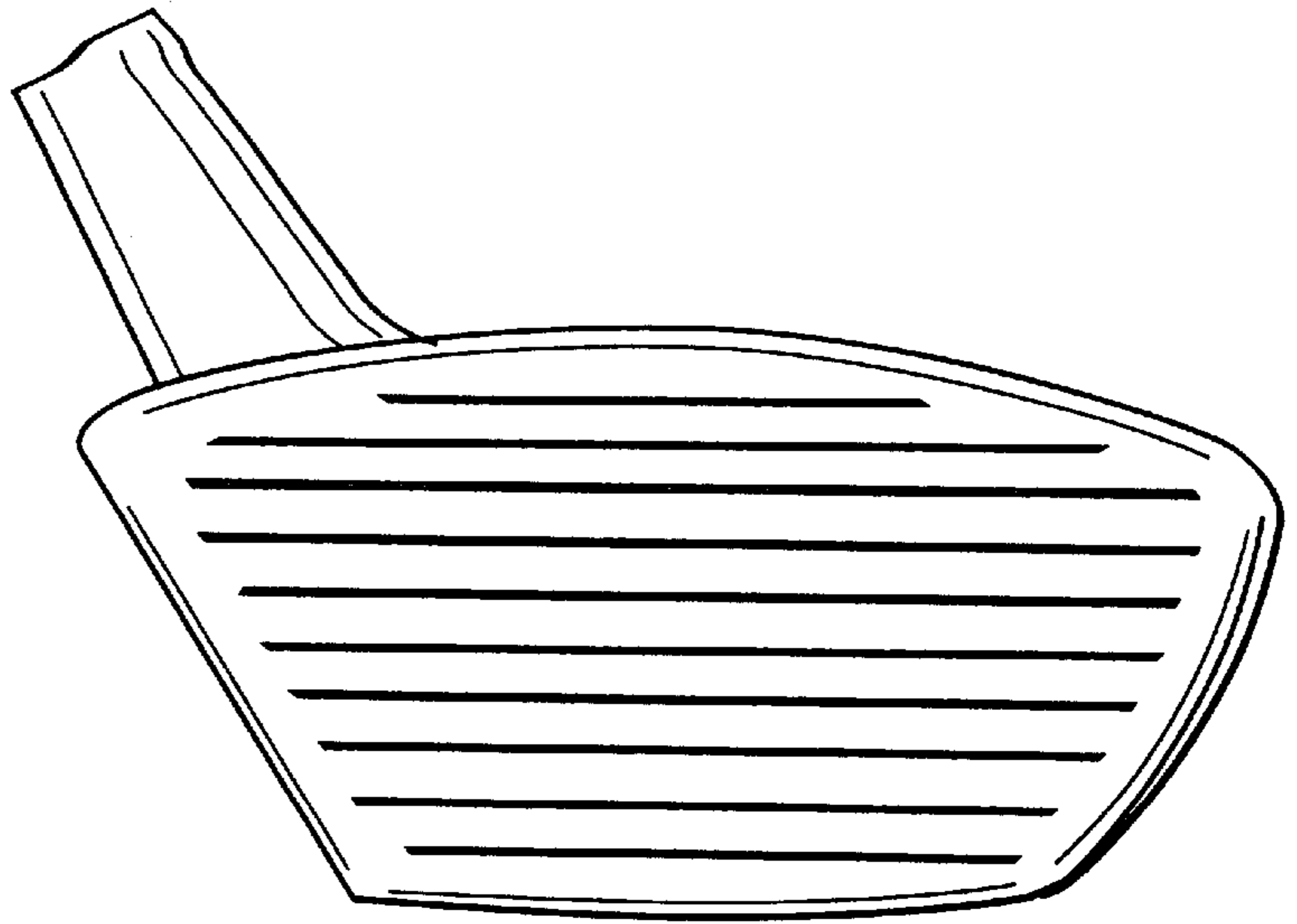


FIG. 2

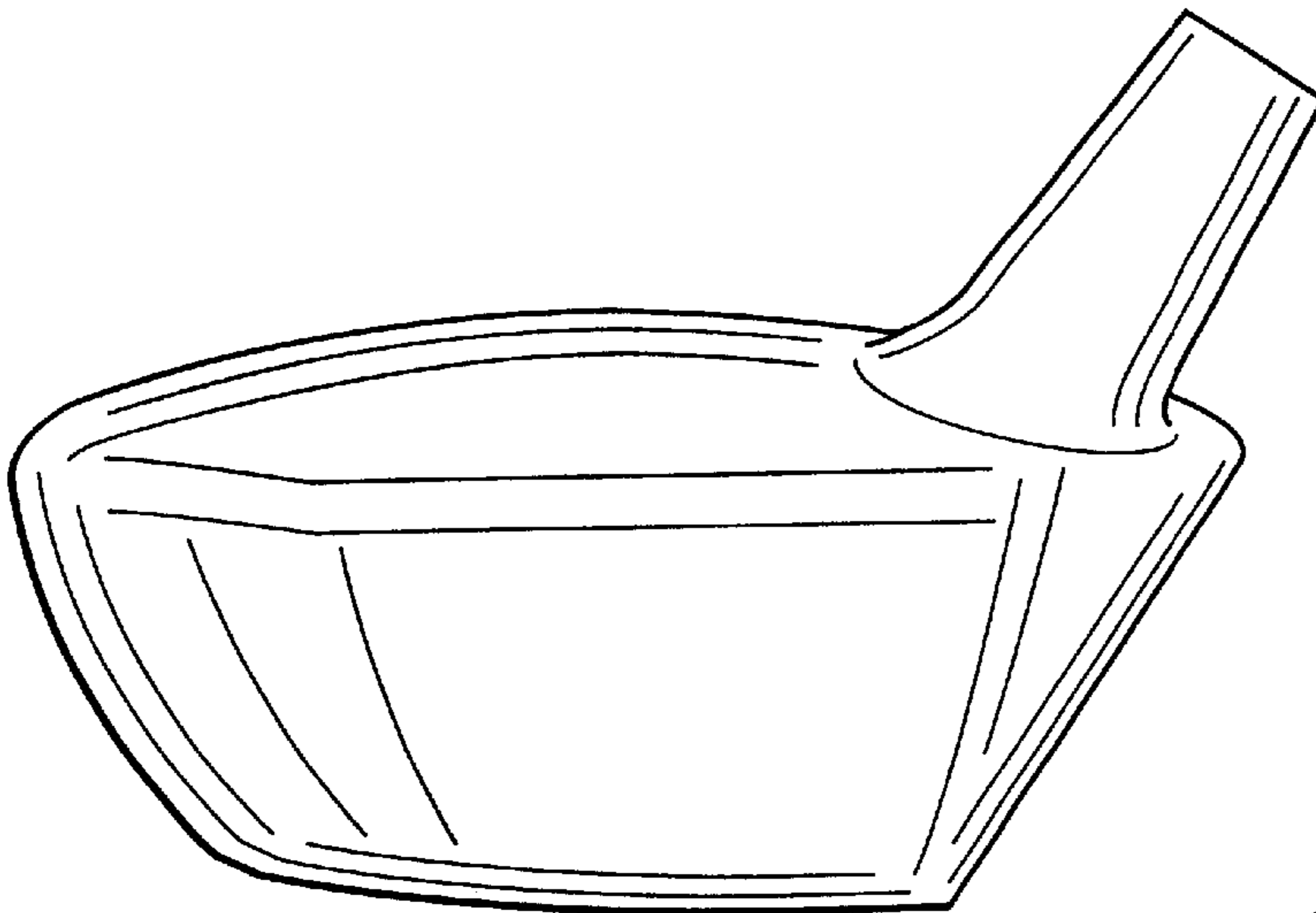


FIG. 3

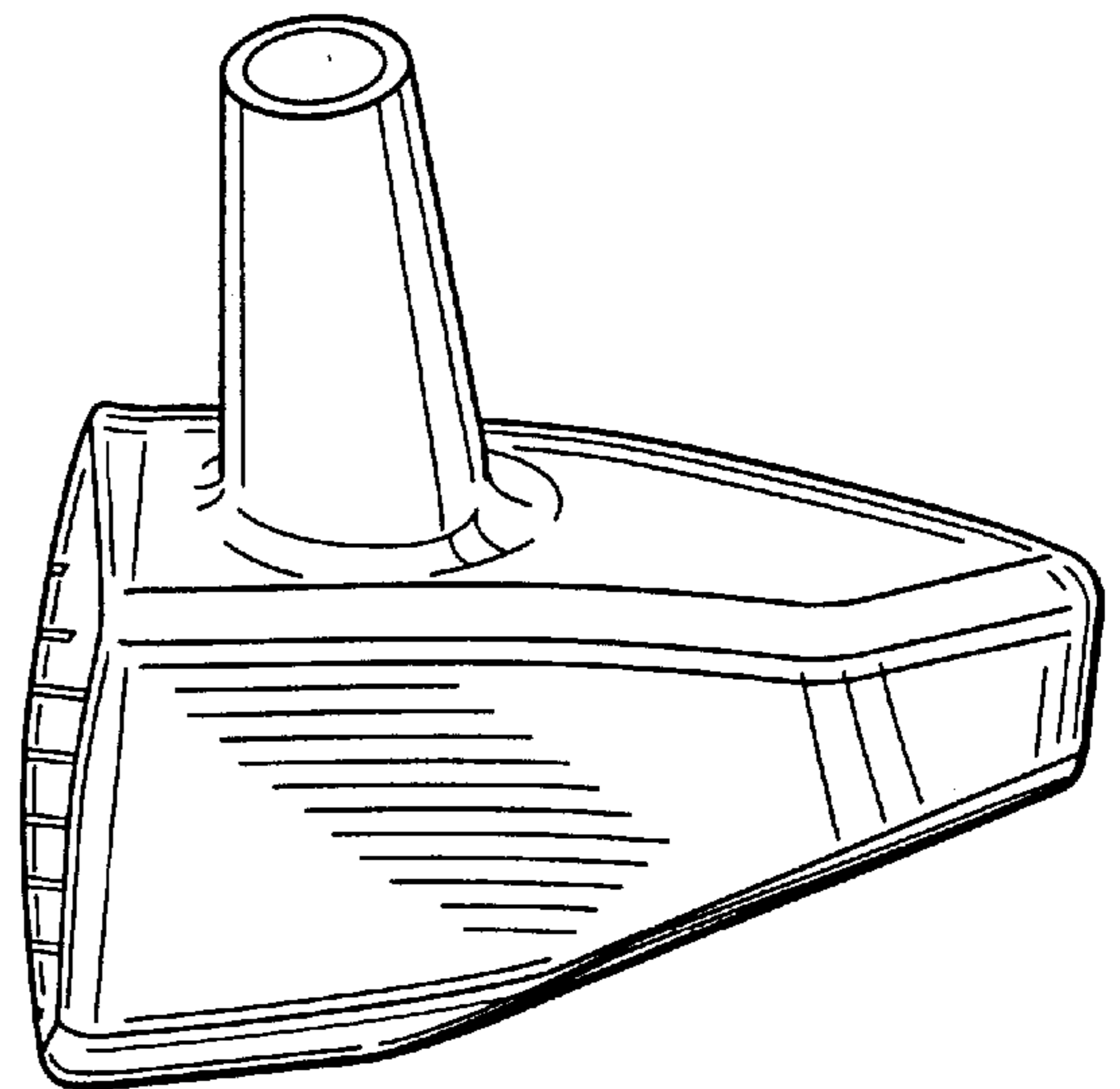


FIG. 4

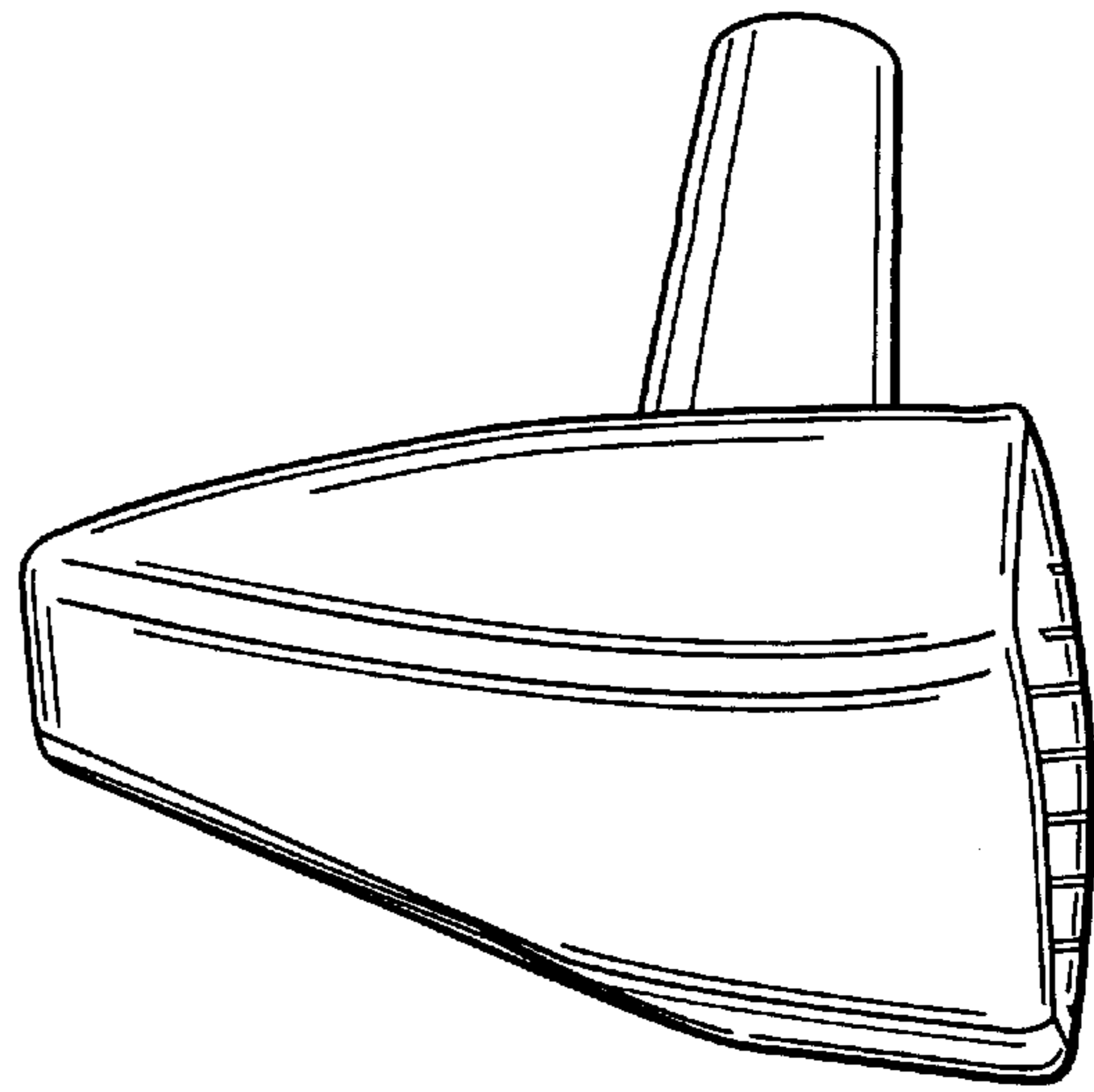


FIG. 5

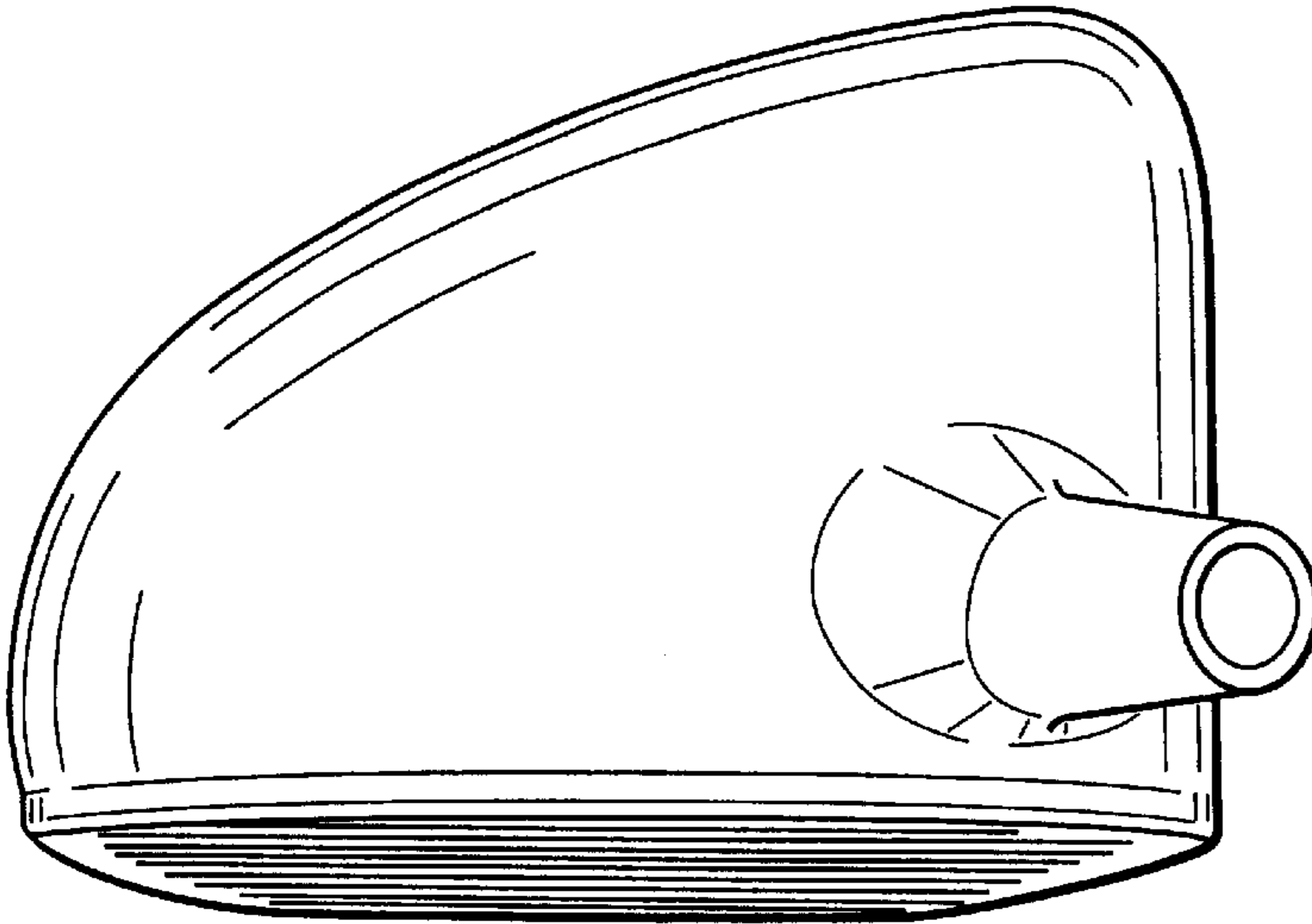


FIG. 6

