



US00D448815B1

(12) **United States Design Patent**
Chen

(10) **Patent No.:** **US D448,815 S**

(45) **Date of Patent:** **** Oct. 2, 2001**

(54) **TOY SPACE VEHICLE WITH PILOT**

4,279,098 * 7/1981 Kulesza et al. 446/232

(76) **Inventor:** **Steve H. Chen**, 1245 Fulton Pl.,
Fremont, CA (US) 94539

* cited by examiner

(**) **Term:** **14 Years**

Primary Examiner—Dominic Simone

(74) *Attorney, Agent, or Firm*—John J. Leavitt

(21) **Appl. No.:** **29/122,357**

(57) **CLAIM**

(22) **Filed:** **Apr. 25, 2000**

The ornamental design for a toy space vehicle with pilot, as illustrated and described.

(51) **LOC (7) Cl.** **21-01**

DESCRIPTION

(52) **U.S. Cl.** **D21/452**

FIG. 1 is a front elevational view of the toy space vehicle with pilot of the invention.

(58) **Field of Search** D21/447, 448,

FIG. 2 is a left side elevational view thereof.

D21/450–452, 608; 446/56–58, 230–232

FIG. 3 is a right side elevational view thereof.

(56) **References Cited**

FIG. 4 is a rear elevational view thereof.

U.S. PATENT DOCUMENTS

FIG. 5 is a top plan view thereof; and,

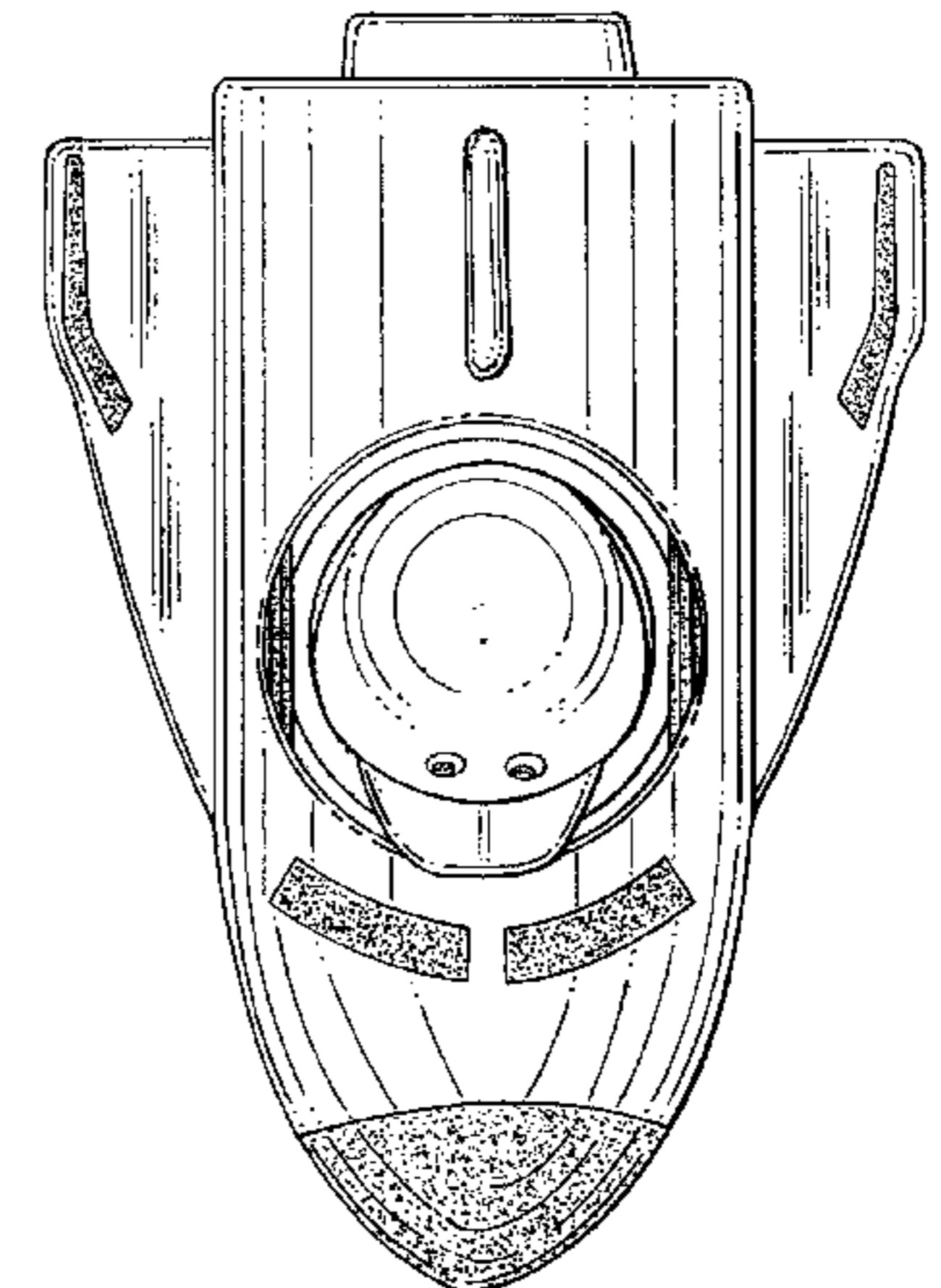
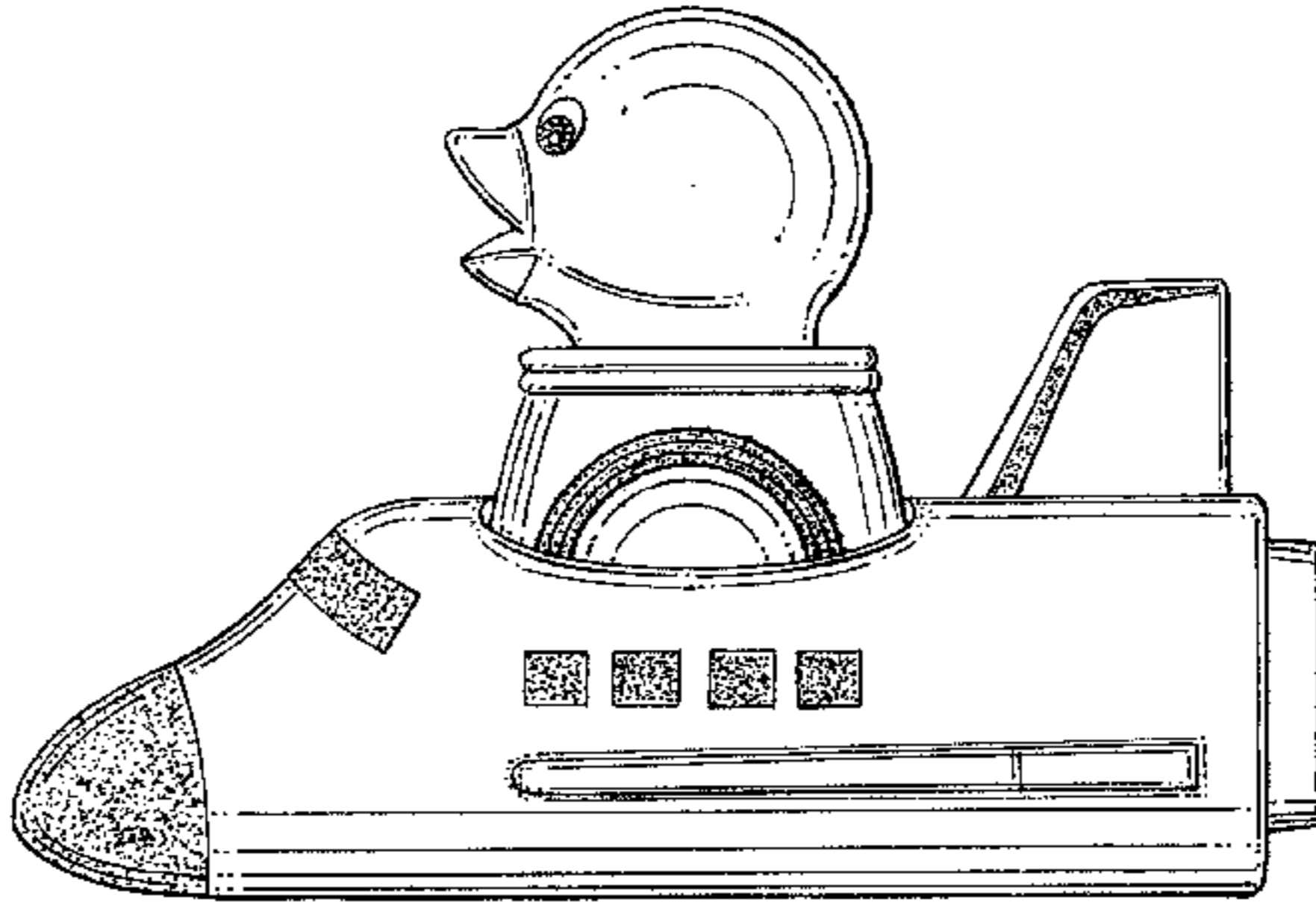
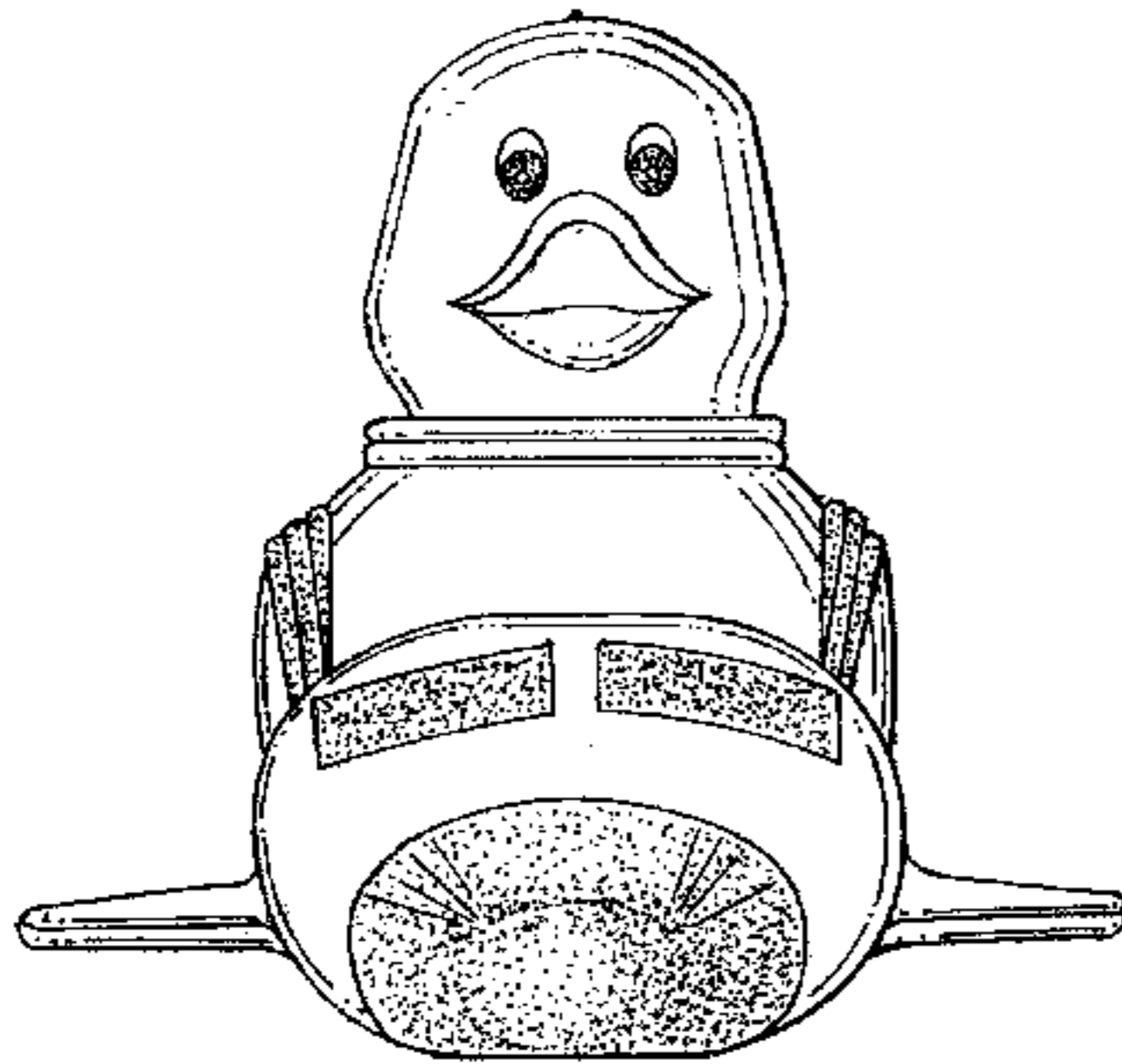
D. 265,574 * 7/1982 Nagode D21/450

FIG. 6 is a bottom plan view thereof.

D. 267,102 * 11/1982 Steinberg D21/448

D. 267,501 * 1/1983 Tabata D21/450

1 Claim, 2 Drawing Sheets



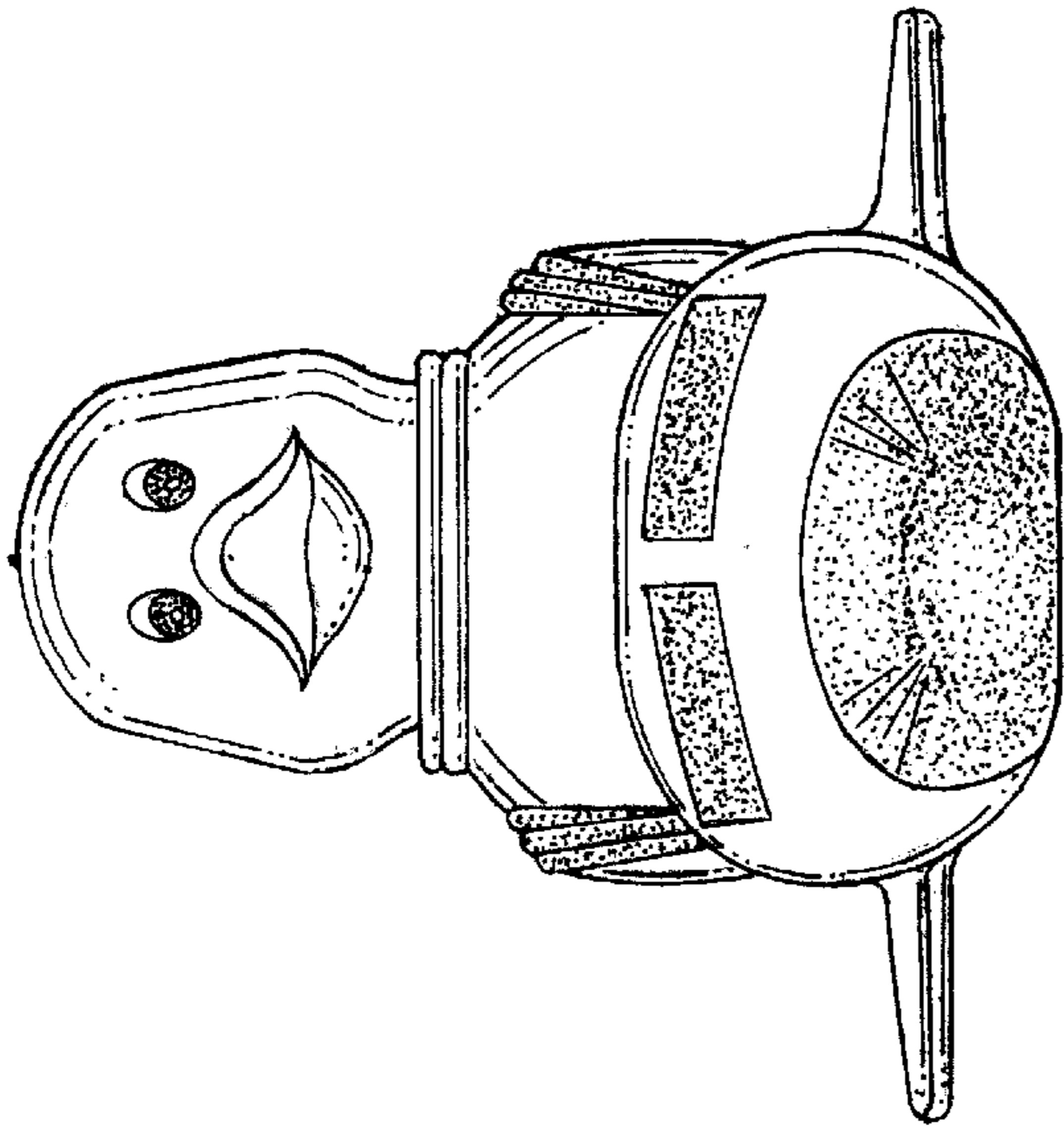


FIG. 1

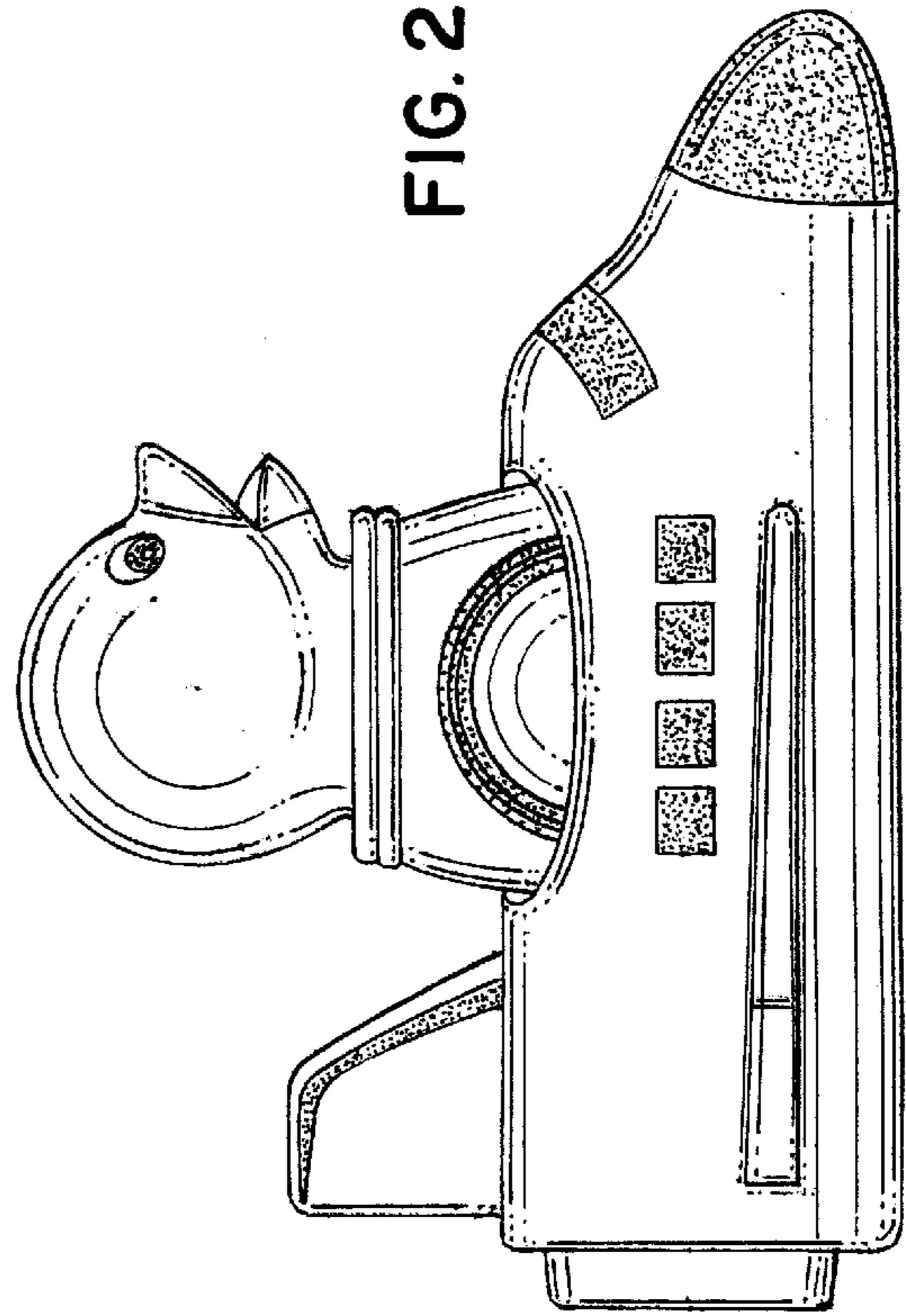


FIG. 2

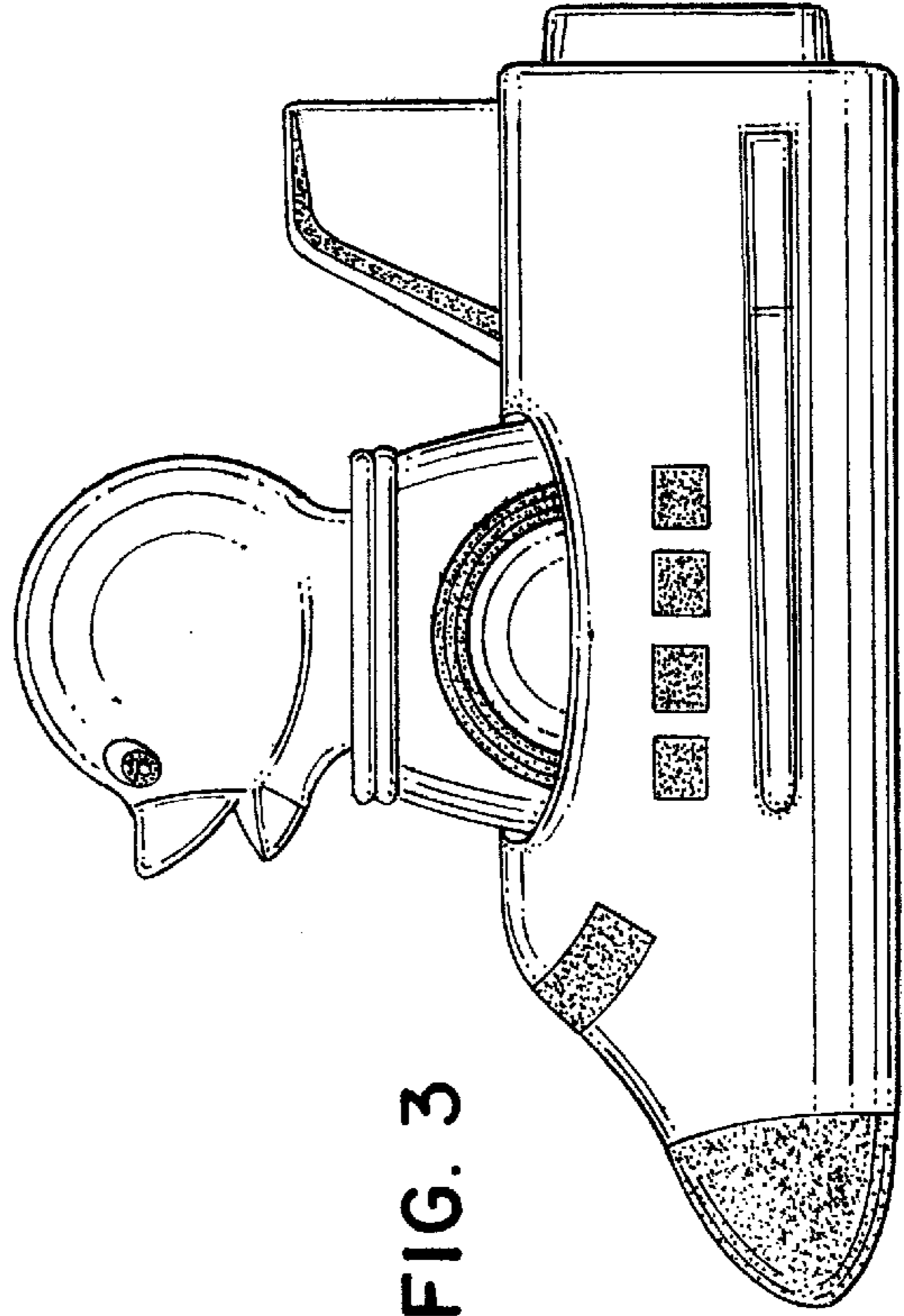


FIG. 3

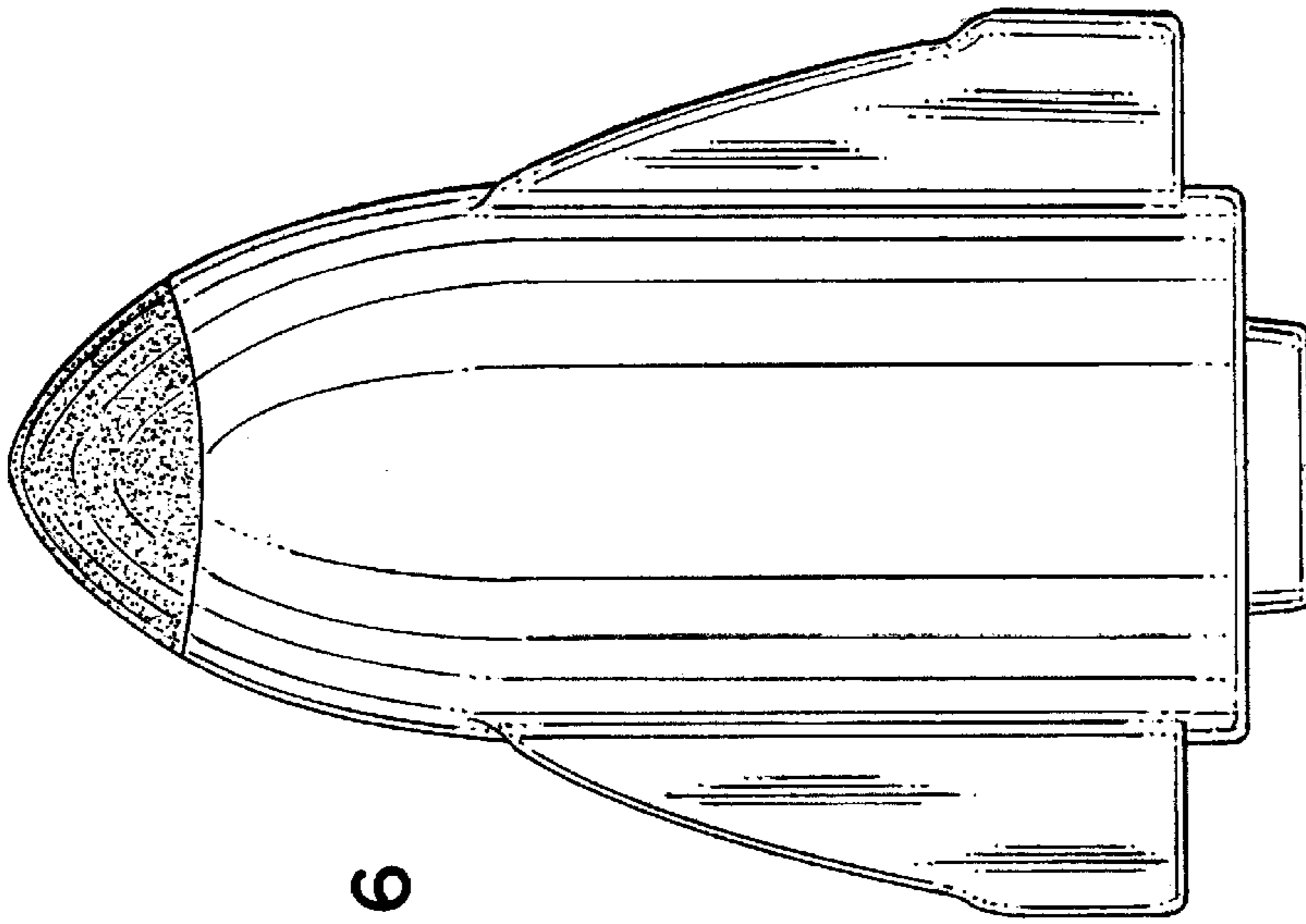


FIG. 4

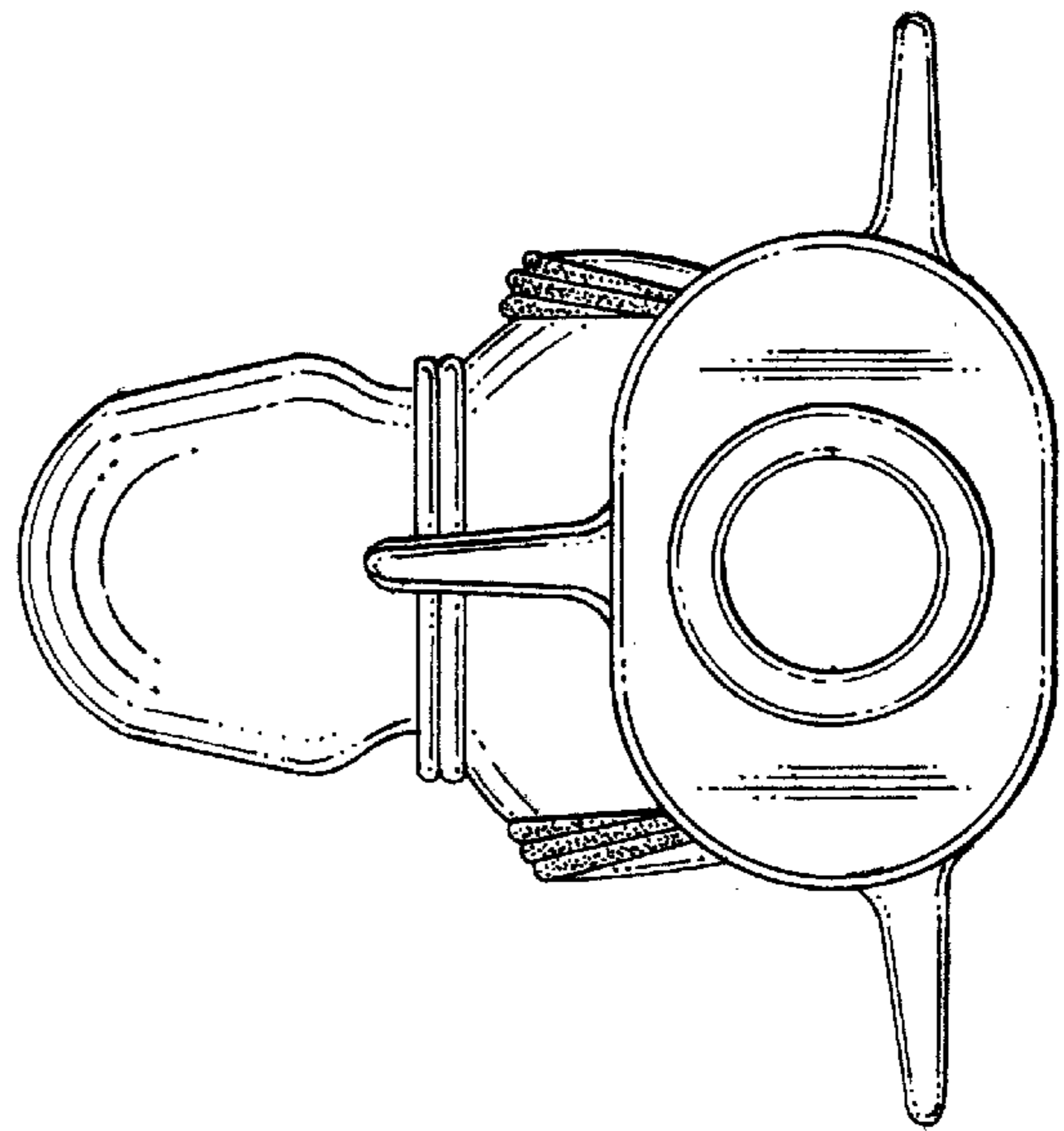


FIG. 5

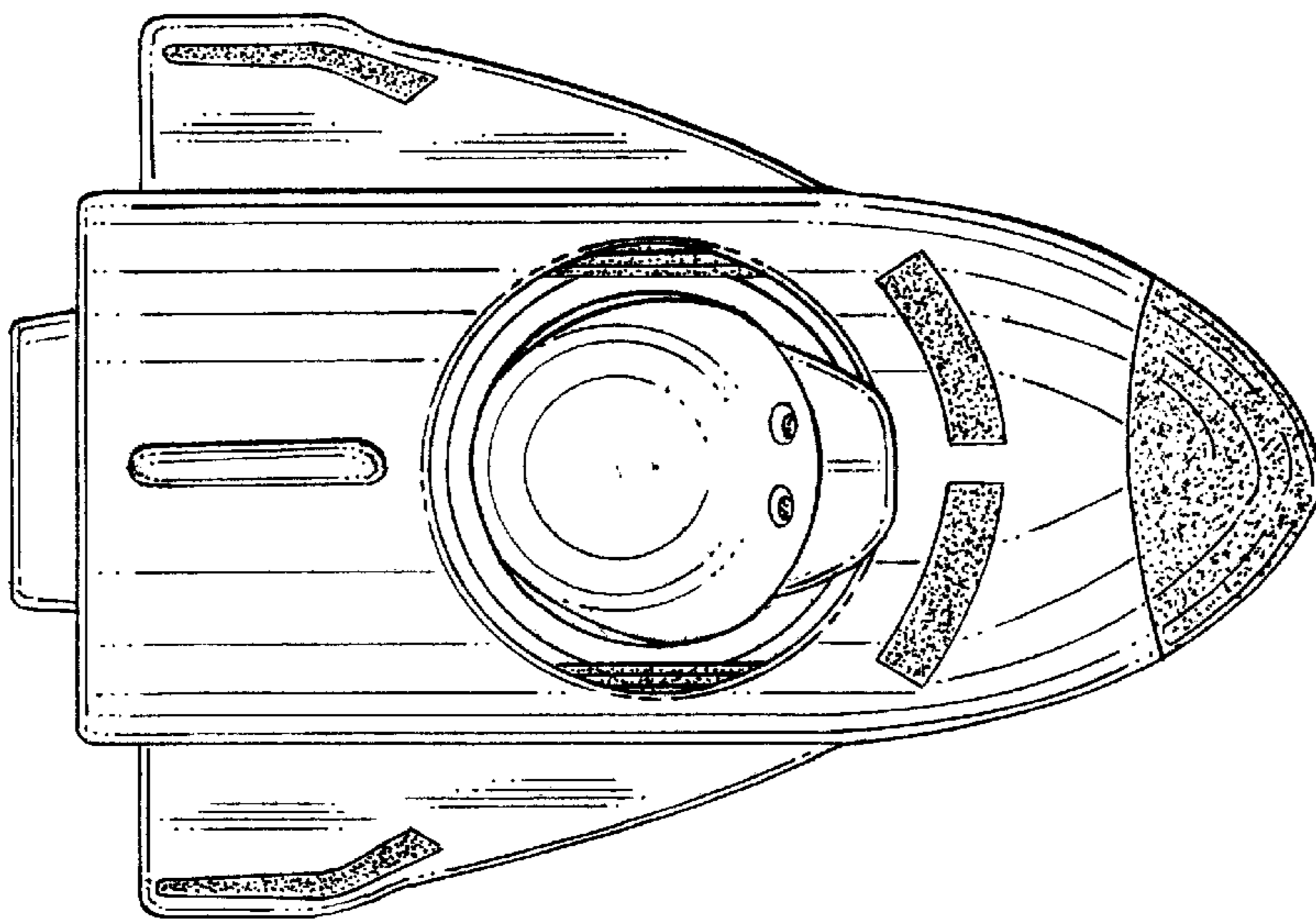


FIG. 6