



US00D448814B1

(12) **United States Design Patent**
Tse

(10) **Patent No.:** **US D448,814 S**

(45) **Date of Patent:** **** Oct. 2, 2001**

(54) **TOY AEROPLANE**

(75) **Inventor:** **Wai Keung Tse, Heng Fa Chuen (HK)**

(73) **Assignee:** **Wah Hing Toys Development Co., Ltd., Kowloon (HK)**

(**) **Term:** **14 Years**

(21) **Appl. No.:** **29/134,581**

(22) **Filed:** **Dec. 27, 2000**

(51) **LOC (7) Cl.** **21-01**

(52) **U.S. Cl.** **D21/447**

(58) **Field of Search** D21/447, 448,
D21/450; 446/57, 58, 230-232

(56) **References Cited**

U.S. PATENT DOCUMENTS

D. 171,720	*	3/1954	Merl	D21/448
D. 248,886	*	8/1978	Kato	D21/448
D. 249,176	*	8/1978	Loomis	D21/448

D. 254,918 * 5/1980 Havranek D21/448

D. 327,722 * 7/1992 Chih D21/448

4,889,514 * 12/1989 Aure et al. 446/230

* cited by examiner

Primary Examiner—Dominic Simone

(74) *Attorney, Agent, or Firm*—Leydig, Voit & Mayer, Ltd.

(57) **CLAIM**

The ornamental design for a toy aeroplane, as shown and described.

DESCRIPTION

FIG. 1 is a front end elevational view of a toy aeroplane showing my new design;

FIG. 2 is a rear end elevational view thereof;

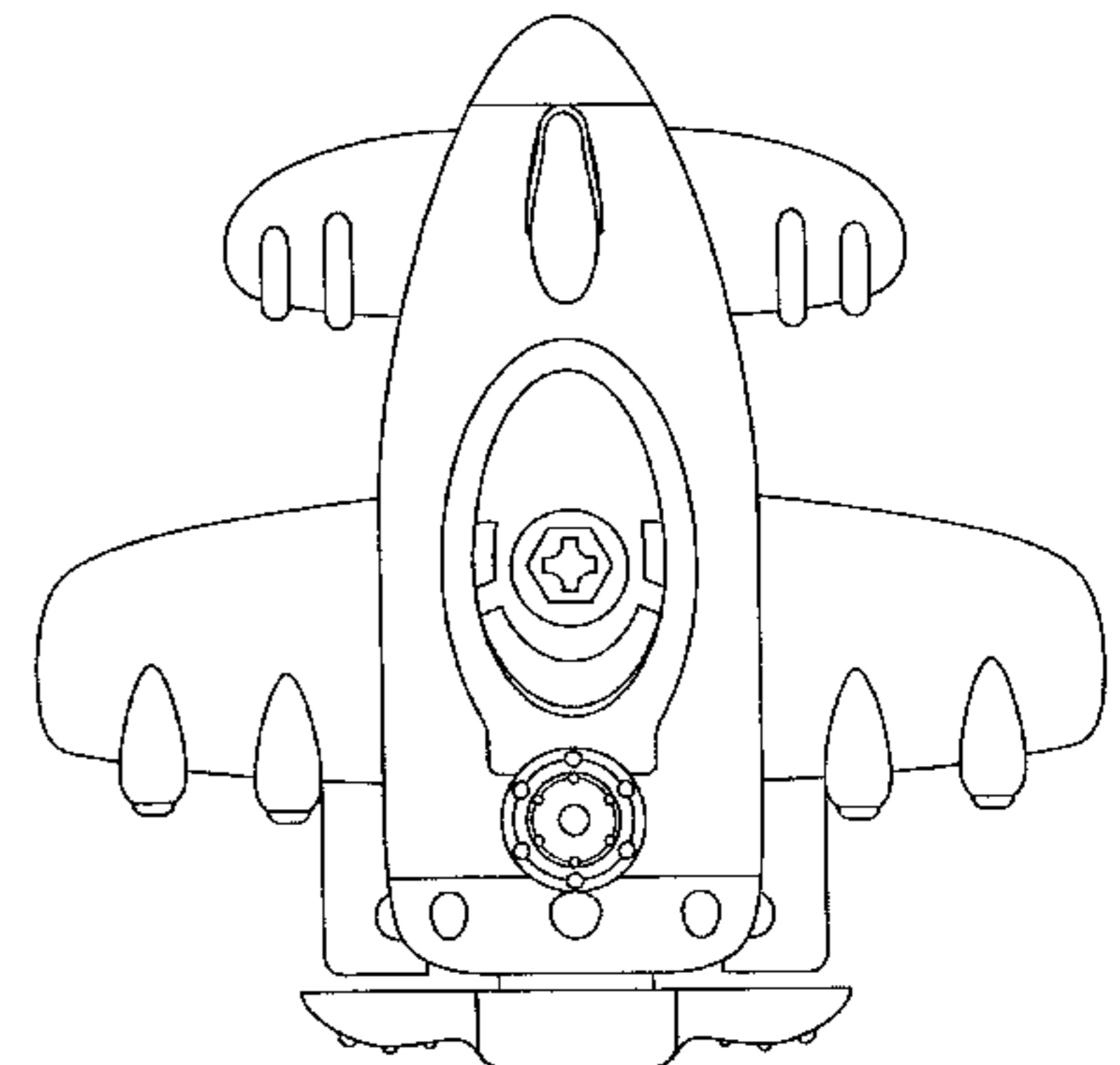
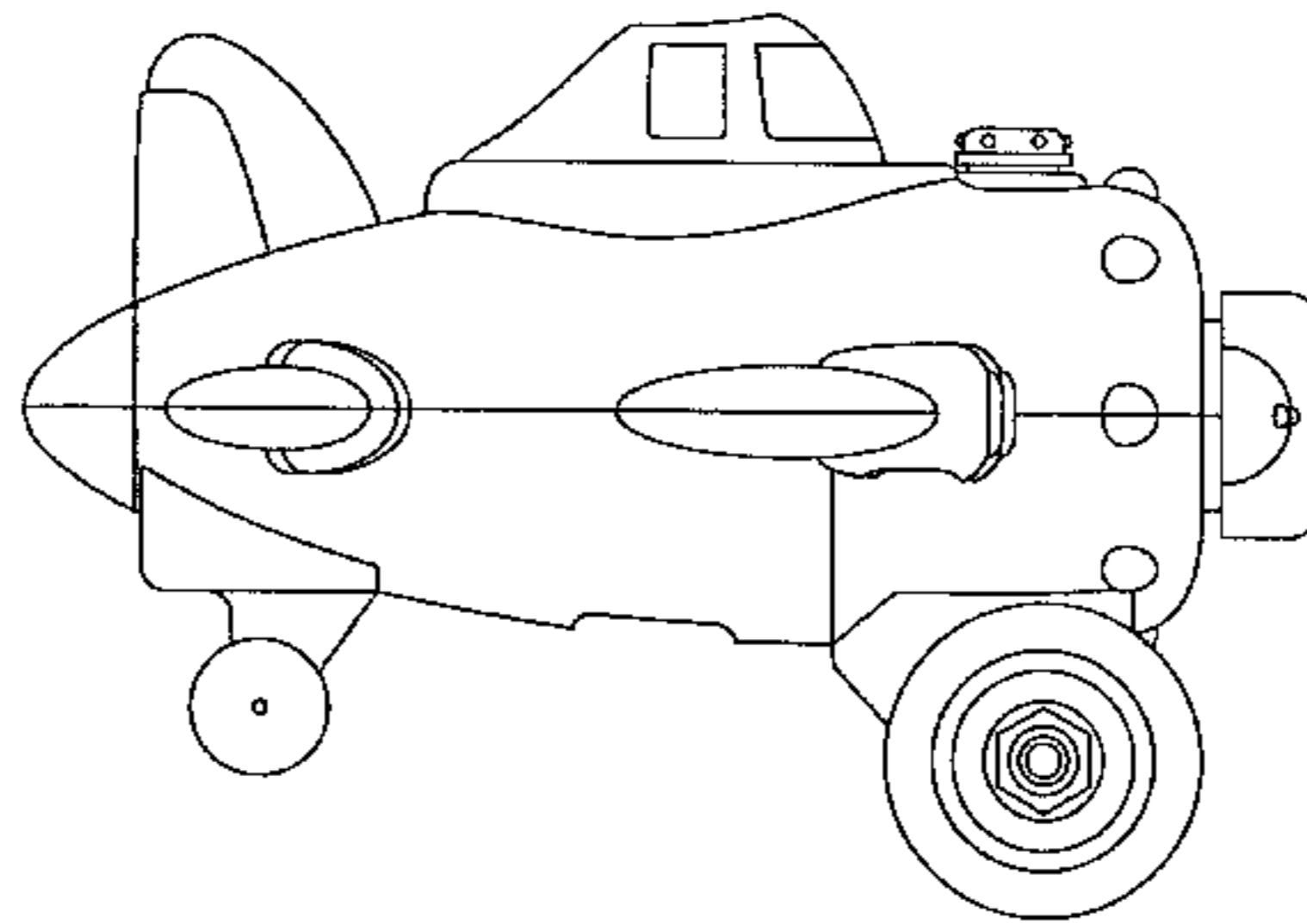
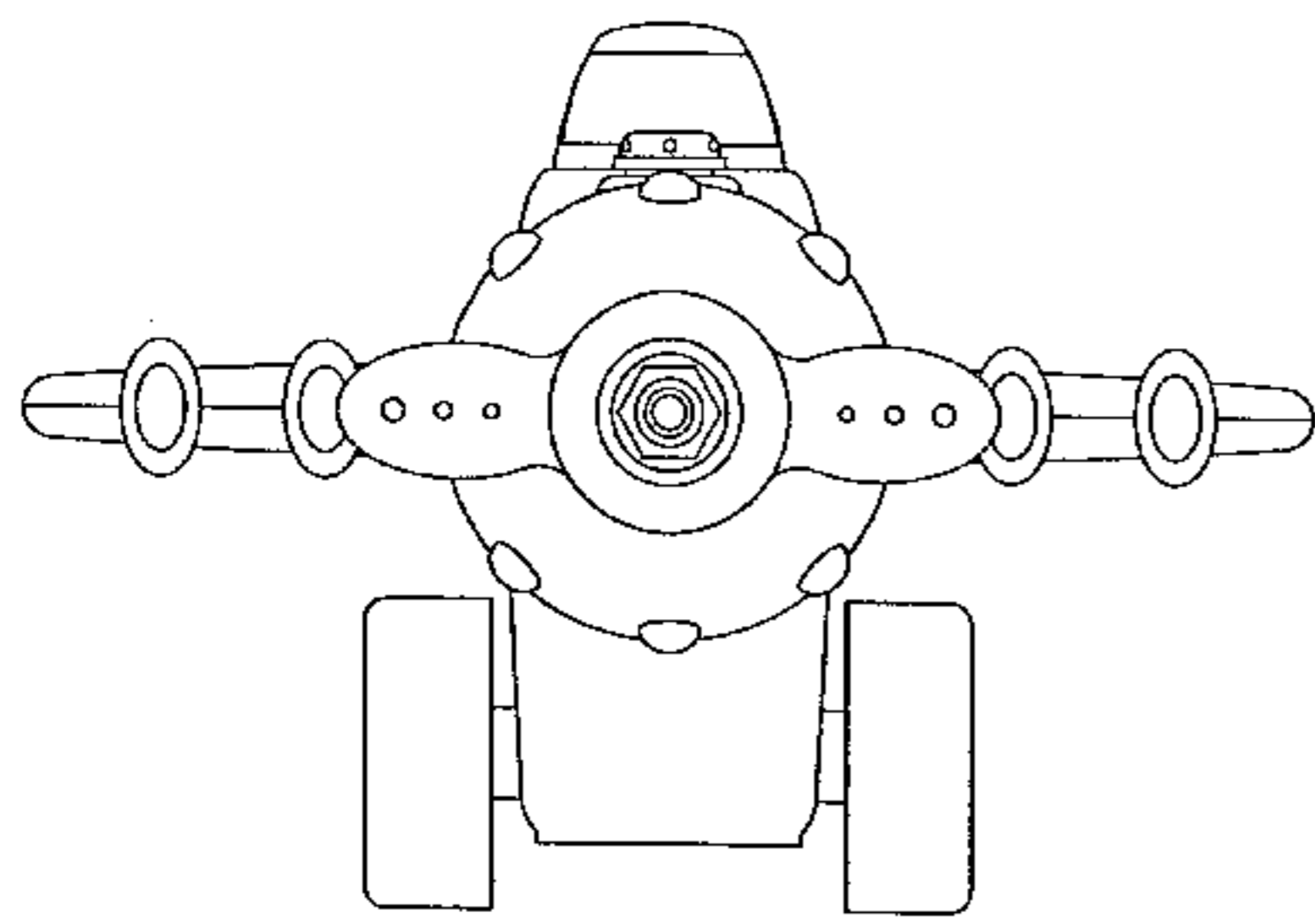
FIG. 3 is a left side elevational view thereof;

FIG. 4 is a right side elevational view thereof;

FIG. 5 is a top plan view thereof; and,

FIG. 6 is a bottom plan view thereof.

1 Claim, 4 Drawing Sheets



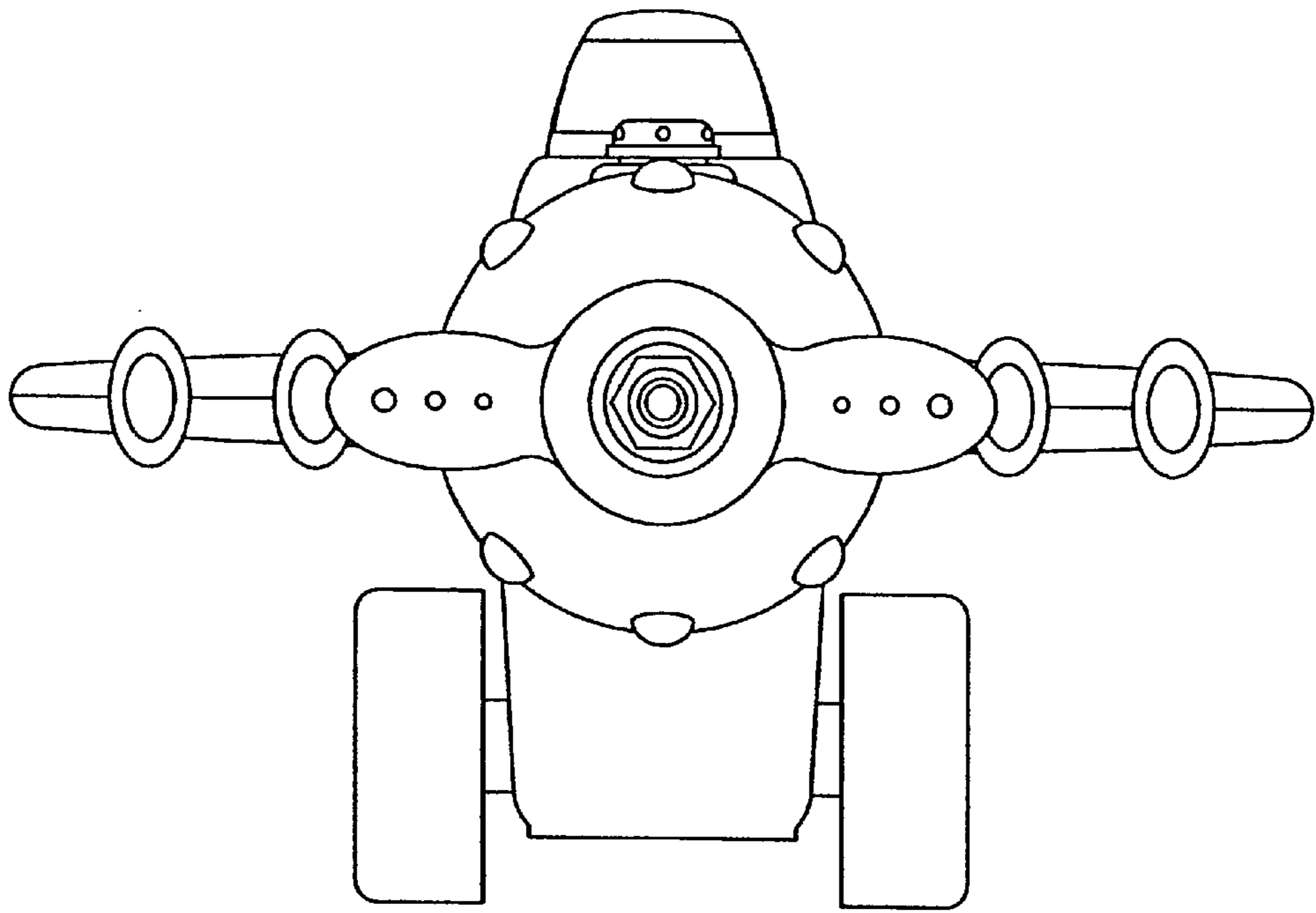


FIG. 1

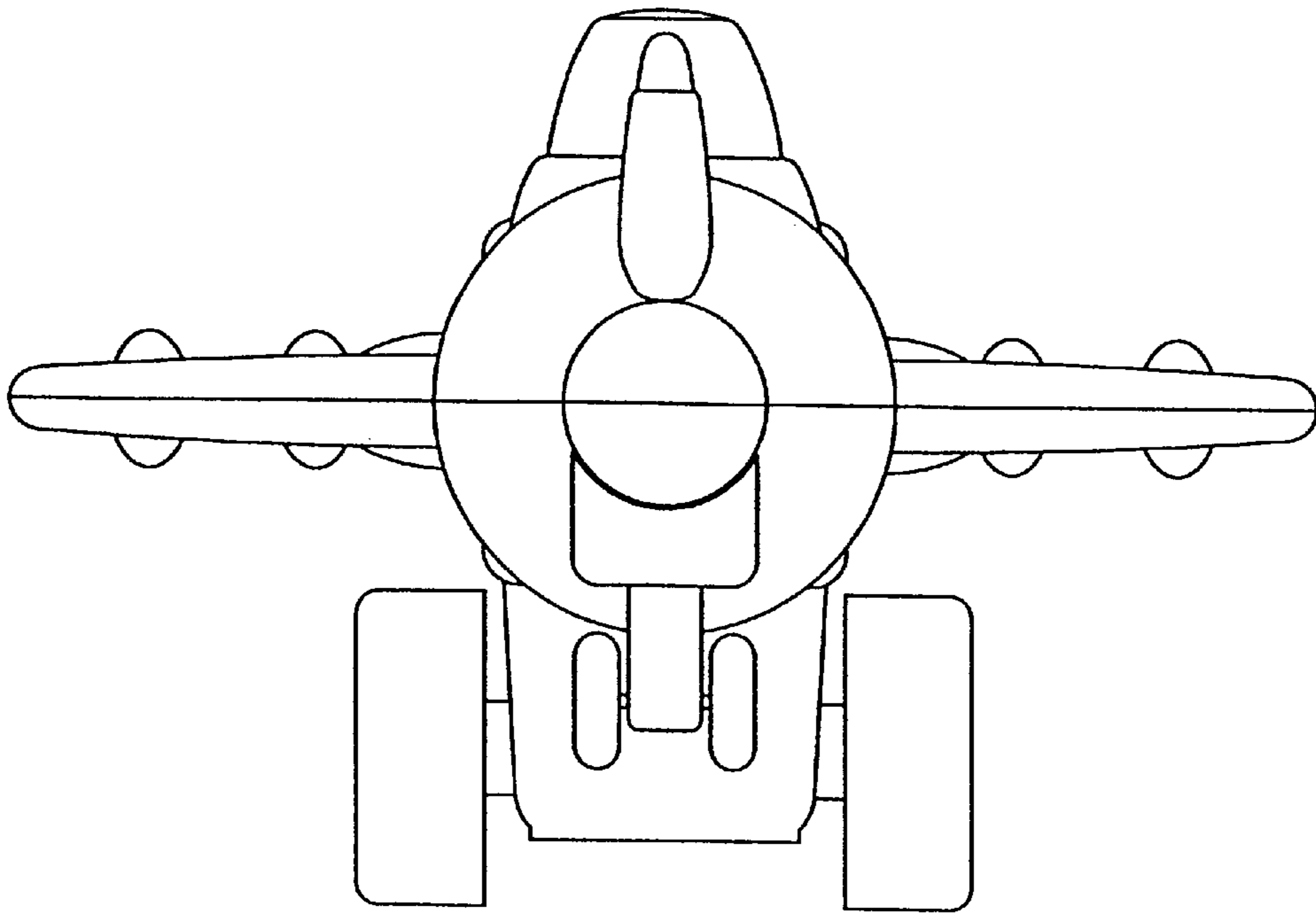


FIG. 2

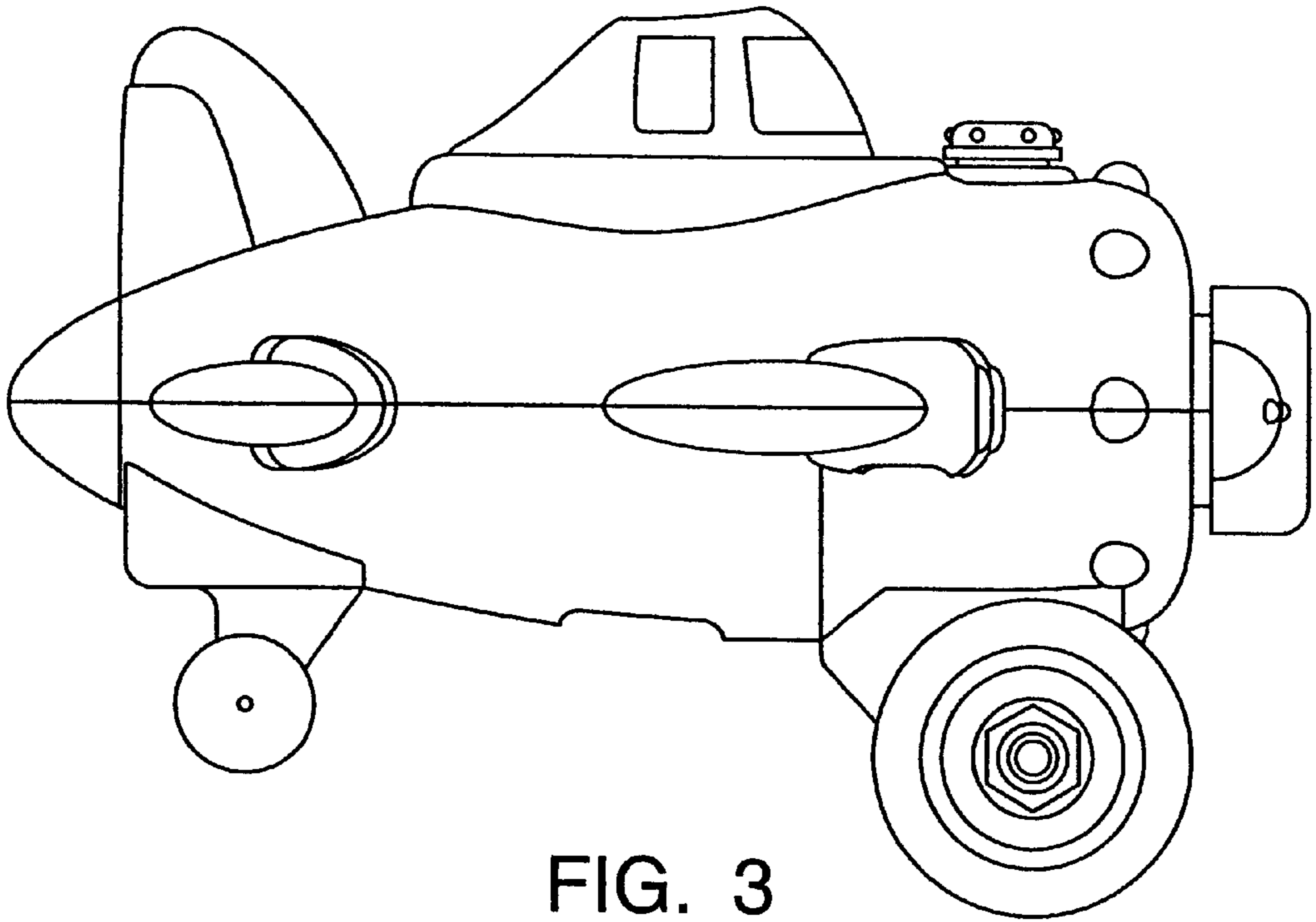


FIG. 3

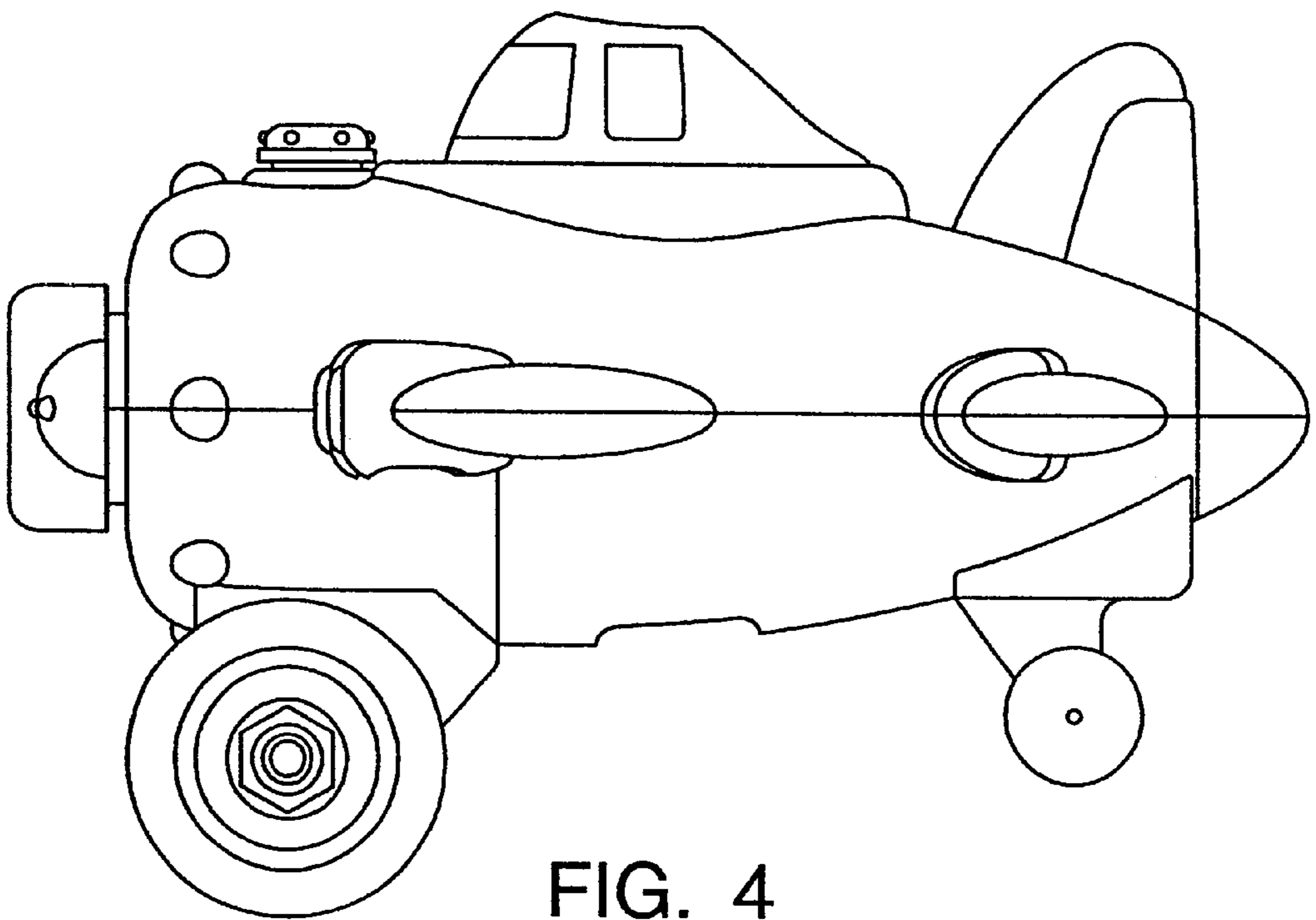


FIG. 4

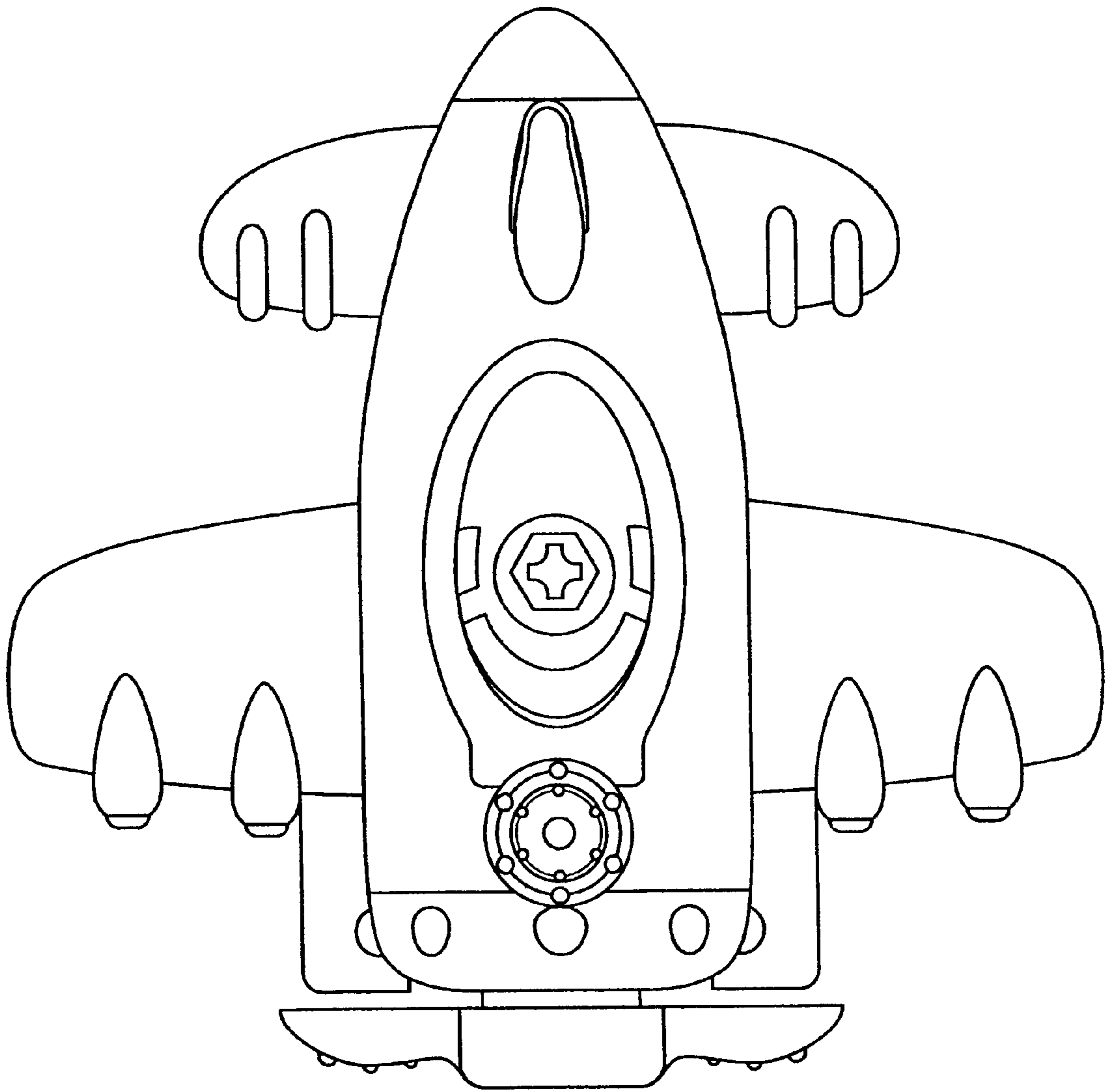


FIG. 5

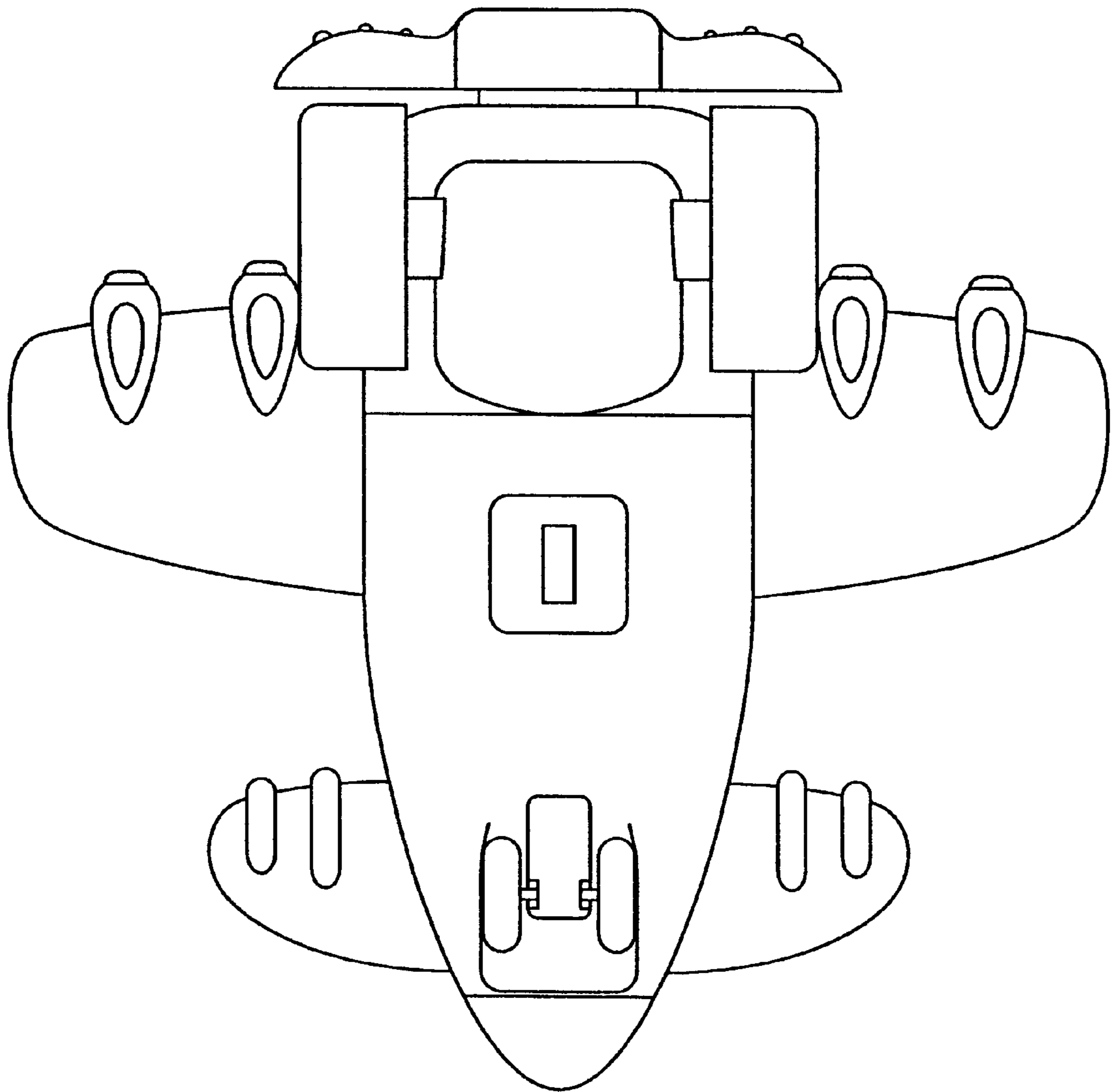


FIG. 6