



US00D448810B1

(12) **United States Design Patent**
Goto

(10) **Patent No.:** **US D448,810 S**

(45) **Date of Patent:** **** Oct. 2, 2001**

(54) **ELECTRONIC CONTROL UNIT**

(75) **Inventor:** **Teiyu Goto, Tokyo (JP)**

(73) **Assignee:** **Sony Computer Entertainment Inc., Tokyo (JP)**

(**) **Term:** **14 Years**

(21) **Appl. No.:** **29/132,291**

(22) **Filed:** **Nov. 7, 2000**

(30) **Foreign Application Priority Data**

May 9, 2000 (JP) 12-012108

(51) **LOC (7) Cl.** **21-01**

(52) **U.S. Cl.** **D21/332; D21/324**

(58) **Field of Search** **D21/324-333; D14/400, 401, 496; 273/148 B; 463/1, 29-47; 434/191; 235/61 R, 61 A, 61 PJ**

(56) **References Cited**

U.S. PATENT DOCUMENTS

- D. 367,895 3/1996 Goto .
- D. 383,800 9/1997 Ishizaki et al. .
- D. 393,884 * 4/1998 Hayami D21/332
- D. 412,160 * 7/1999 Nelson D14/435
- D. 412,940 8/1999 Kato et al. .

- D. 438,179 * 2/2001 Wang-Tsai D14/496
- 4,166,326 * 9/1979 Achramm 434/191
- 5,674,075 * 10/1997 Sherman 434/191
- 5,989,035 * 11/1999 Okoye 434/191

* cited by examiner

Primary Examiner—Prabhakar Deshmukh

(74) *Attorney, Agent, or Firm*—Rader, Fishman & Grauer, PLLC

(57) **CLAIM**

The ornamental design for an electronic control unit, as shown and described.

DESCRIPTION

FIG. 1 is a perspective view of an electronic control unit showing my design;

FIG. 2 is another perspective view thereof wherein the cover of thereof is in the open position, the inside portion of the cover in broken lines is for illustrative purposes only and forms no part of claimed design;

FIG. 3 is a front elevational view thereof;

FIG. 4 is a top plan view thereof;

FIG. 5 is a rear elevational view thereof;

FIG. 6 is a bottom plan view thereof;

FIG. 7 is a left side elevational view thereof; and,

FIG. 8 is a right side elevational view thereof.

1 Claim, 5 Drawing Sheets

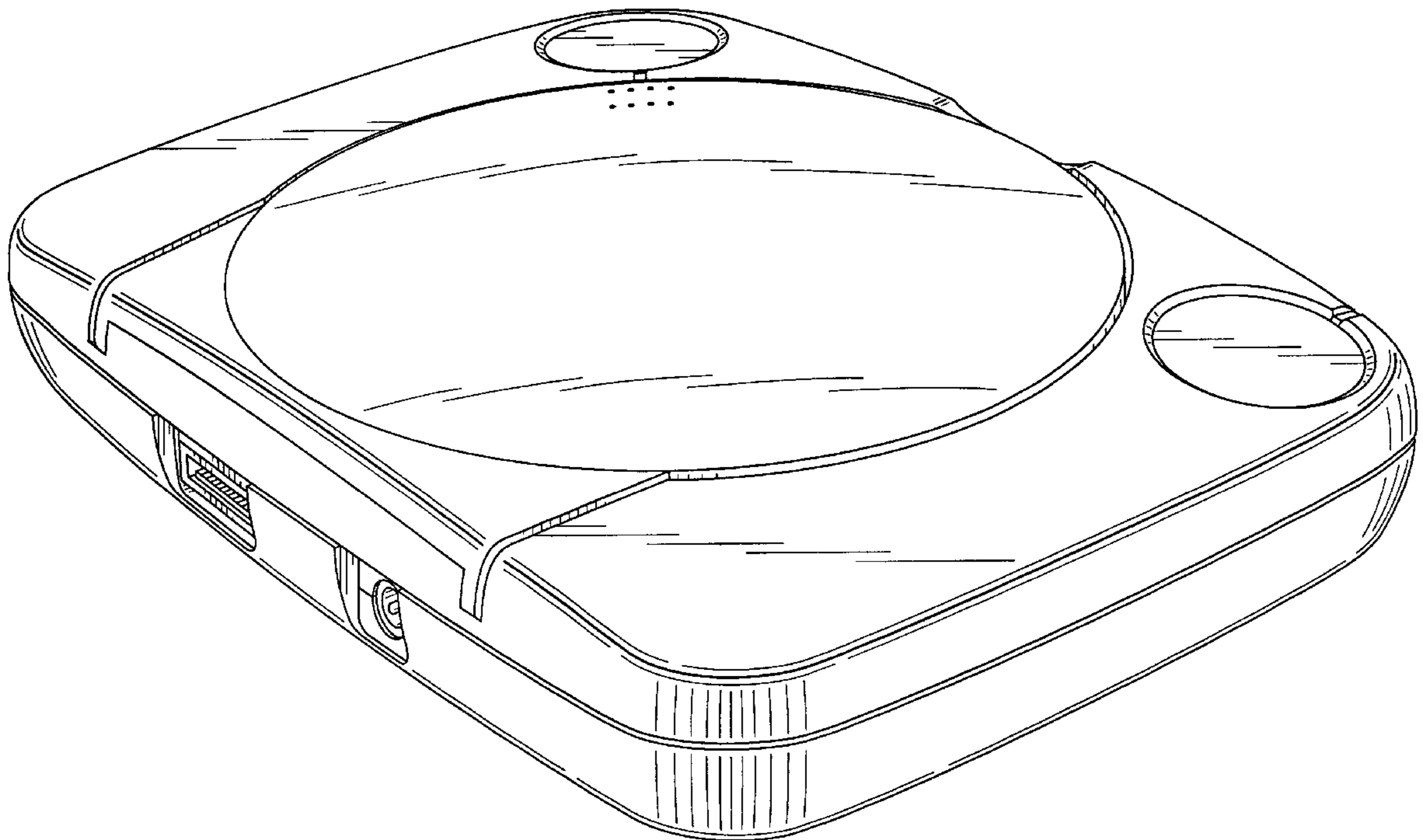


FIG. 1

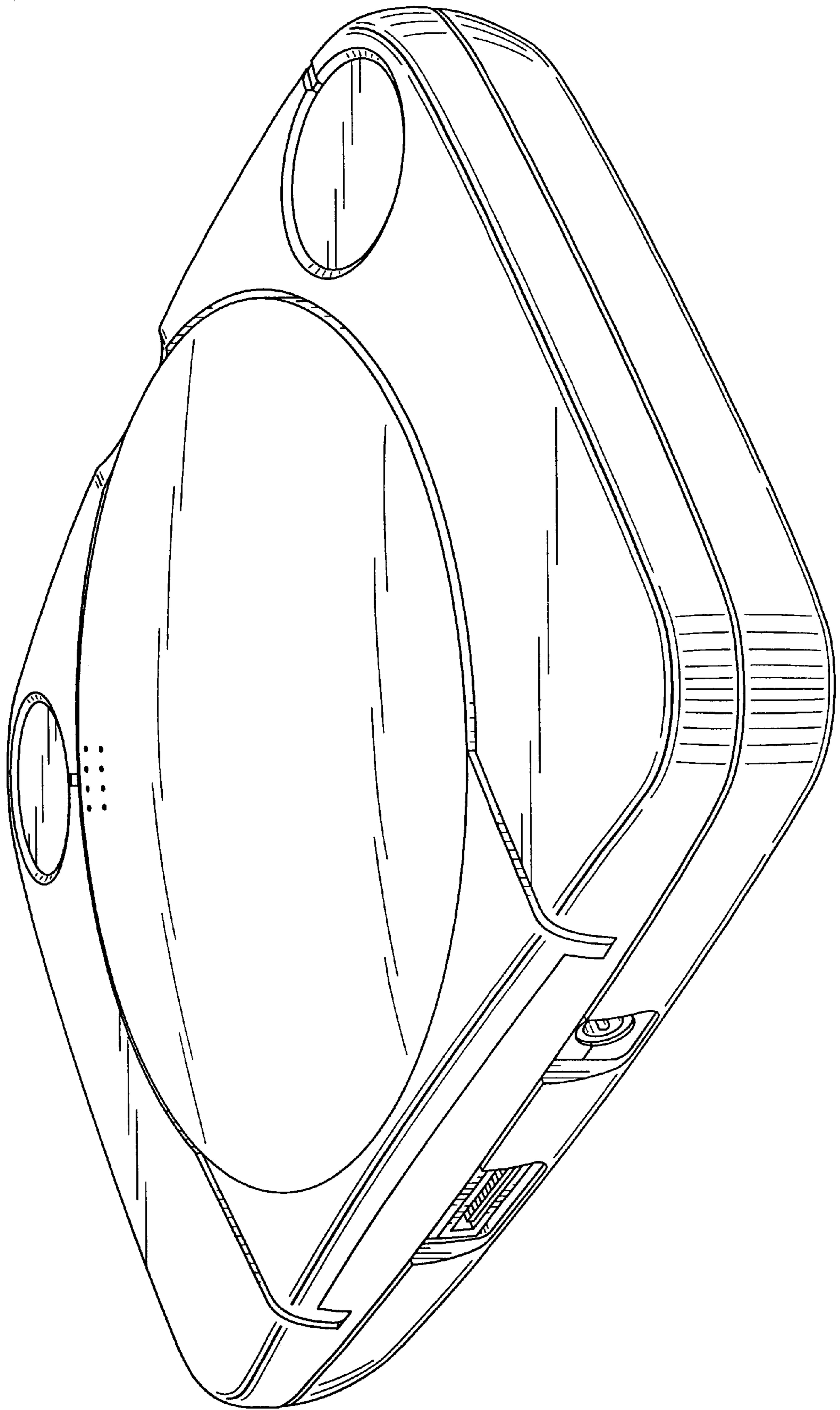


FIG. 2

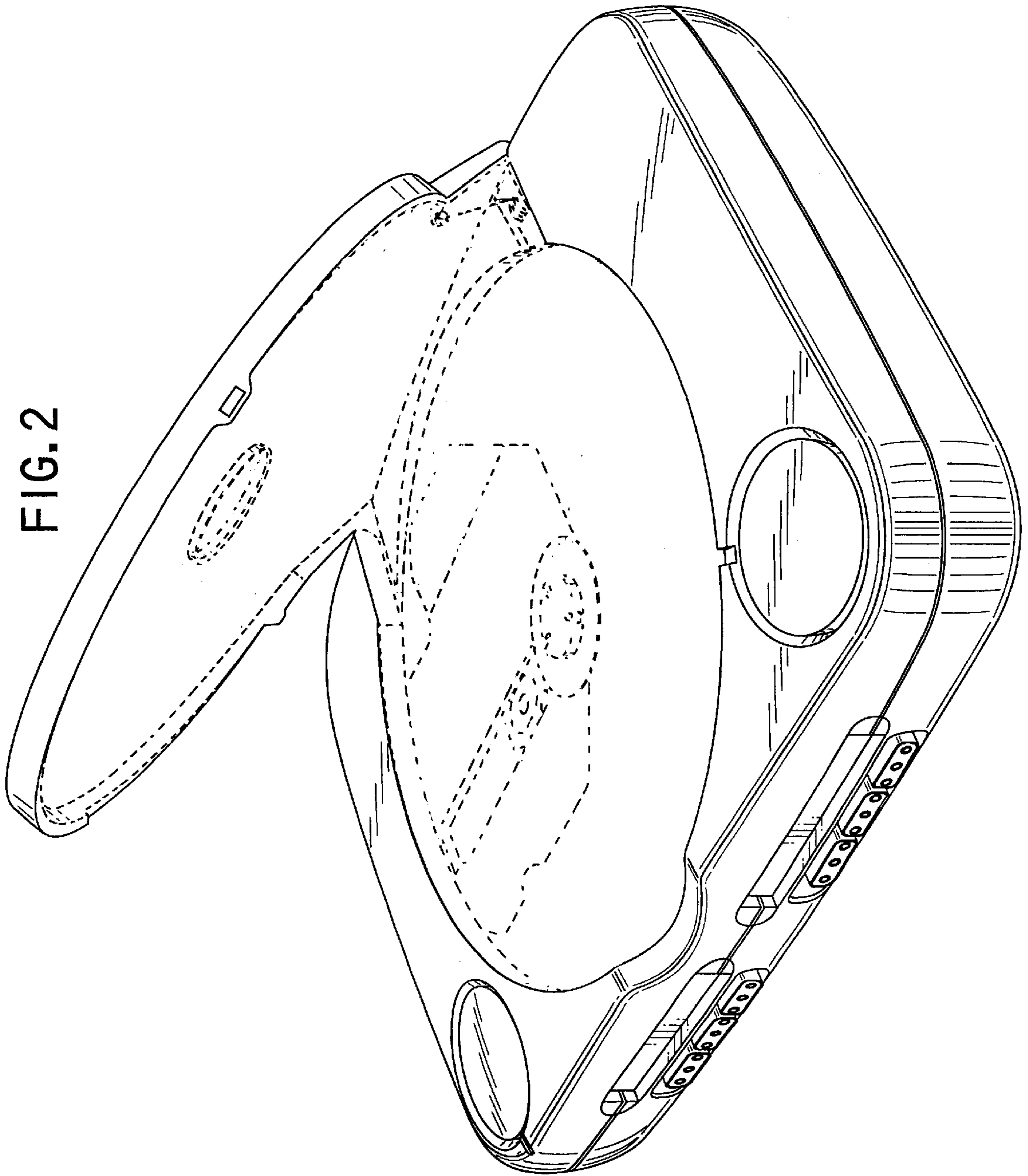


FIG. 3

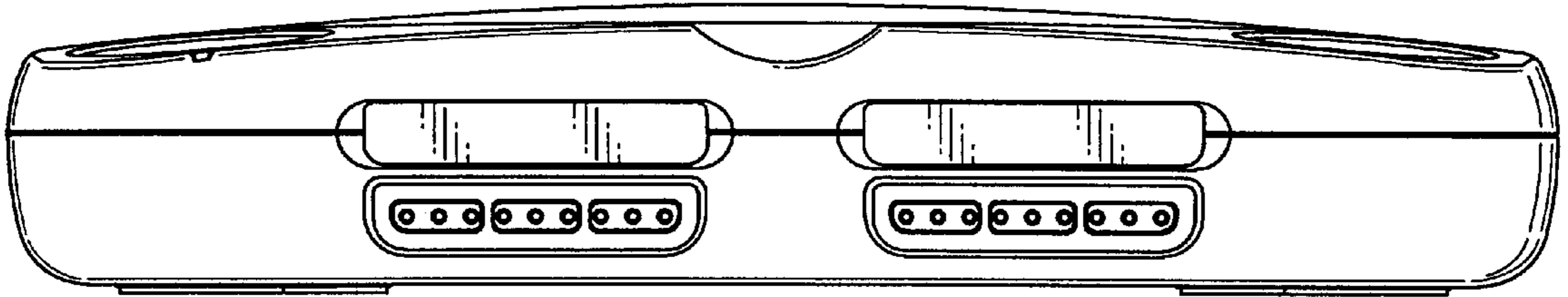


FIG. 4

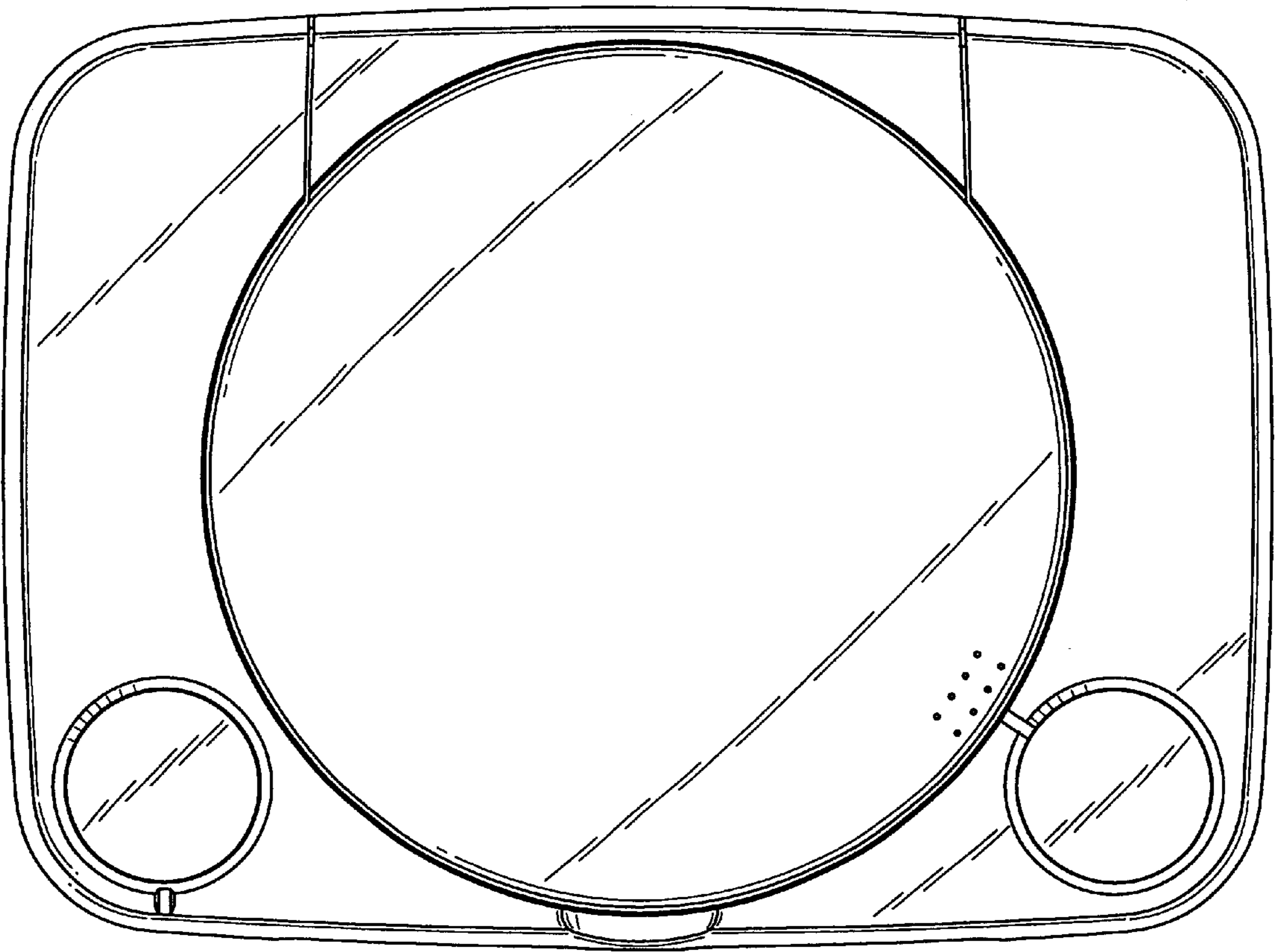


FIG. 5

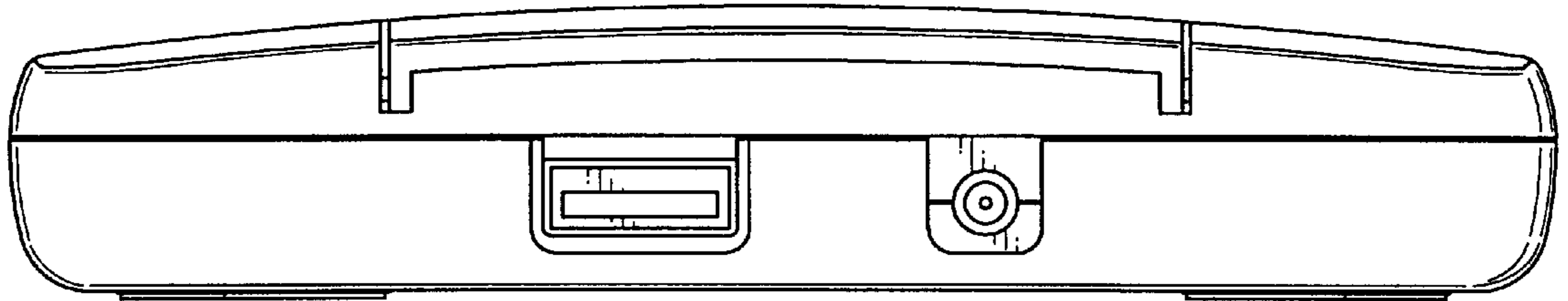


FIG. 6

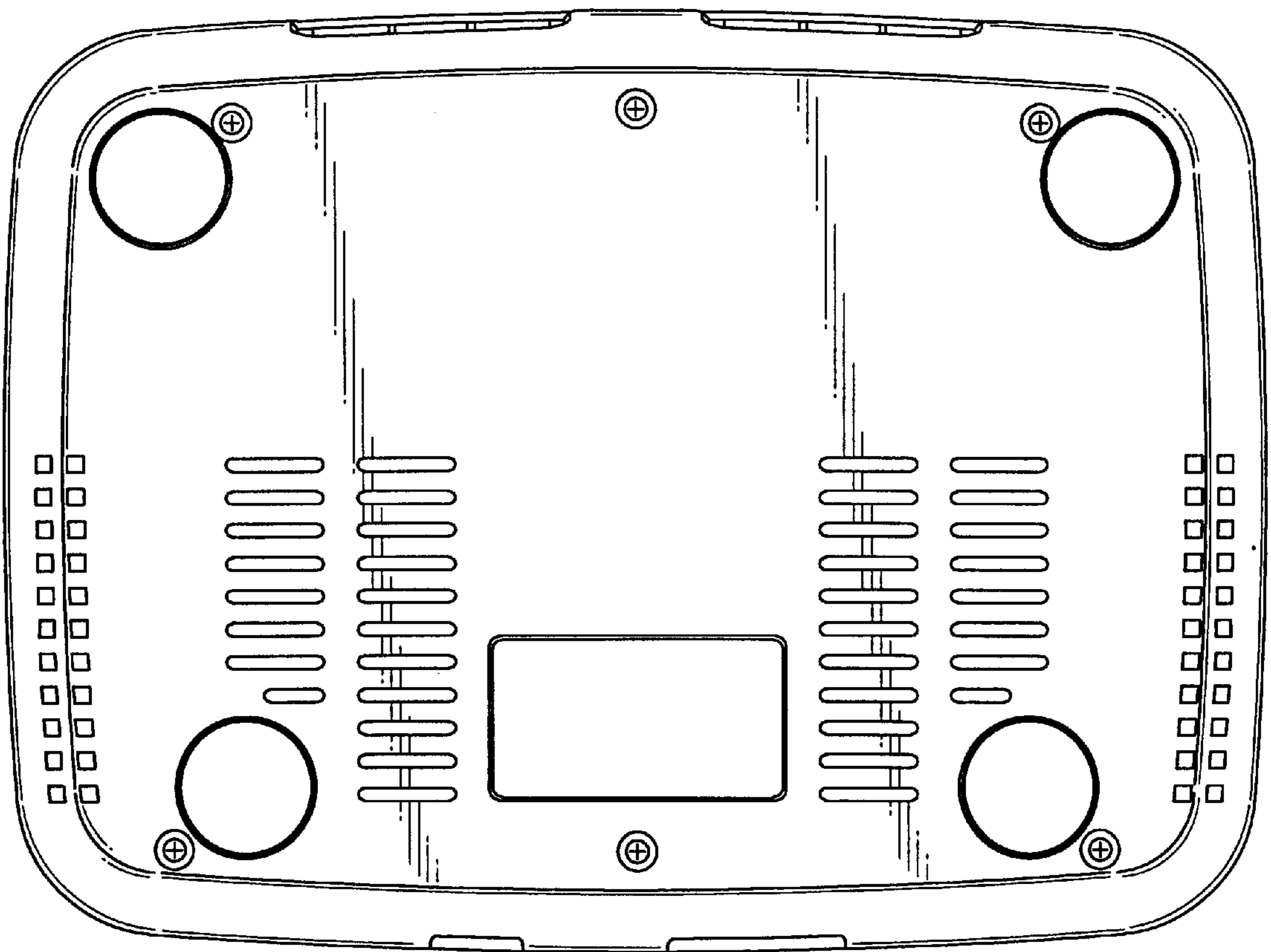


FIG. 7

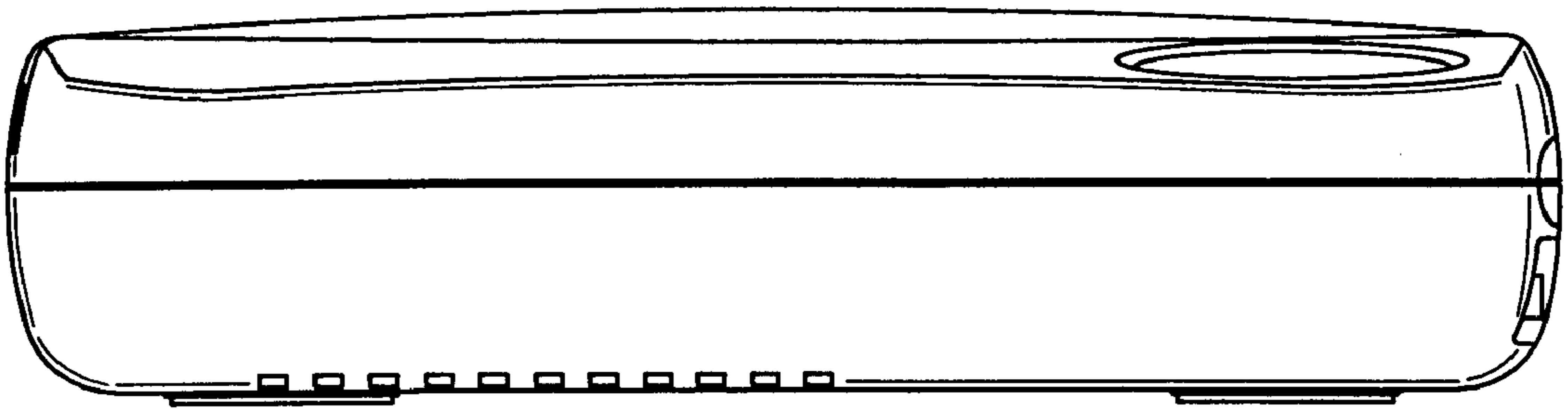


FIG. 8

