



US00D448809B1

(12) **United States Design Patent**
Jones

(10) **Patent No.:** **US D448,809 S**

(45) **Date of Patent:** **** Oct. 2, 2001**

(54) **ELECTRONIC DART GAME**

6,089,571 * 7/2000 Cho 463/49

(75) Inventor: **Richard F. Jones**, Rockford, IL (US)

* cited by examiner

(73) Assignee: **Arachnid, Inc.**, Rockford, IL (US)

Primary Examiner—Prabhakar Deshmukh

(**) Term: **14 Years**

(74) *Attorney, Agent, or Firm*—McAndrews, Held & Malloy, Ltd.

(21) Appl. No.: **29/132,705**

(57) **CLAIM**

(22) Filed: **Nov. 10, 2000**

The ornamental design for the electronic dart game, as shown and described.

(51) **LOC (7) Cl.** **21-01**

DESCRIPTION

(52) **U.S. Cl.** **D21/328; D21/324; D21/307**

(58) **Field of Search** D21/324, 328, D21/307, 308; 273/148 B, 407, 408, 317, 348, 237, 259, 287, 138.2, 459, 460, 371; 463/1, 2, 49-57, 20, 46, 47; 206/315.1, 315.11

FIG. 1 is a perspective view of an electronic dart game according to the invention;

FIG. 2 a front elevation view of the electronic dart game of FIG. 1;

FIG. 3 is a right side elevation view of the electronic dart game of FIG. 1; the left side elevation view being a mirror image thereof;

FIG. 4 is a rear elevation view of the electronic dart game of FIG. 1;

FIG. 5 is a top plan view of the electronic dart game of FIG. 1; and,

FIG. 6 is a bottom plan view of the electronic dart game of FIG. 1.

(56) **References Cited**

U.S. PATENT DOCUMENTS

D. 414,521	*	9/1999	Martin et al.	D21/307
D. 423,597	*	4/2000	Martin et al.	D21/307
4,625,974	*	12/1986	Andrews	273/407
5,211,405	*	5/1993	Shelton et al.	273/407
5,662,333	*	9/1997	Allen	463/1
5,672,109	*	9/1997	Natanian	463/2
5,860,654	*	1/1999	Jacobs	273/407

1 Claim, 3 Drawing Sheets

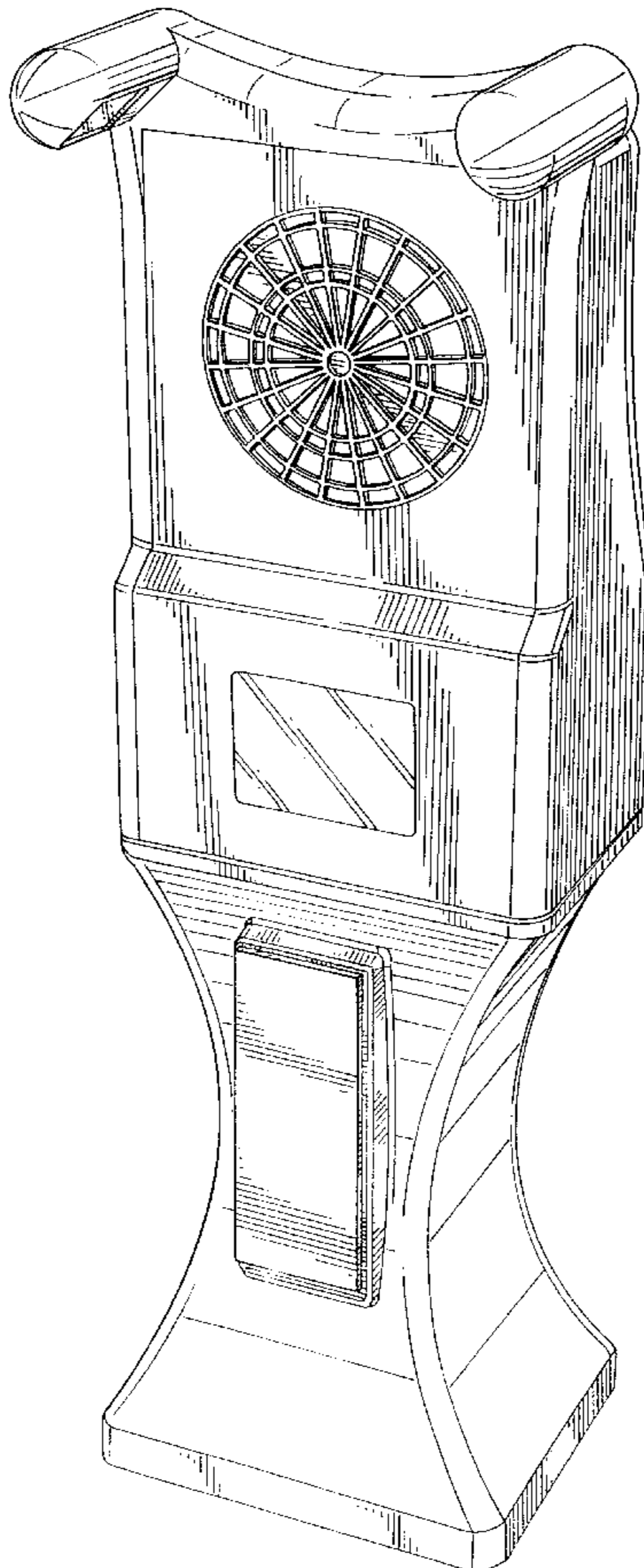


FIG. 1

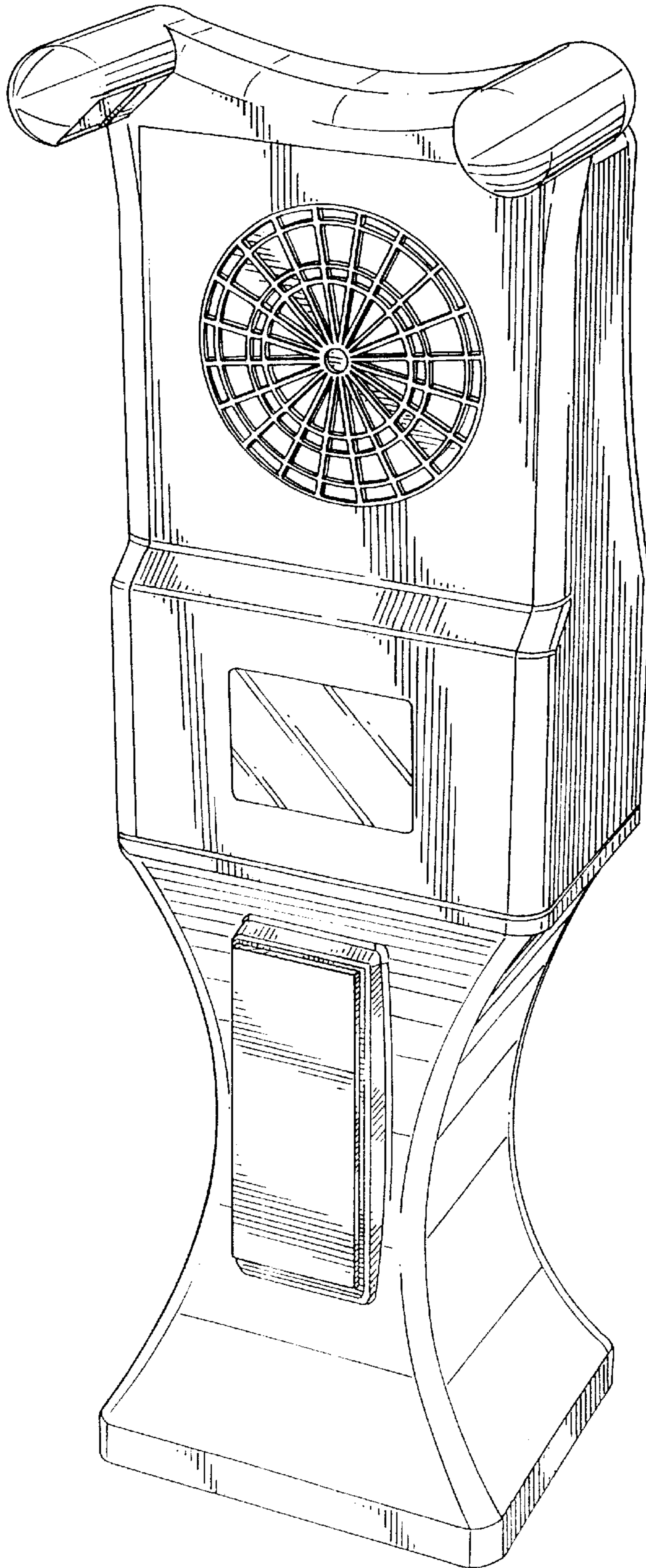


FIG. 2

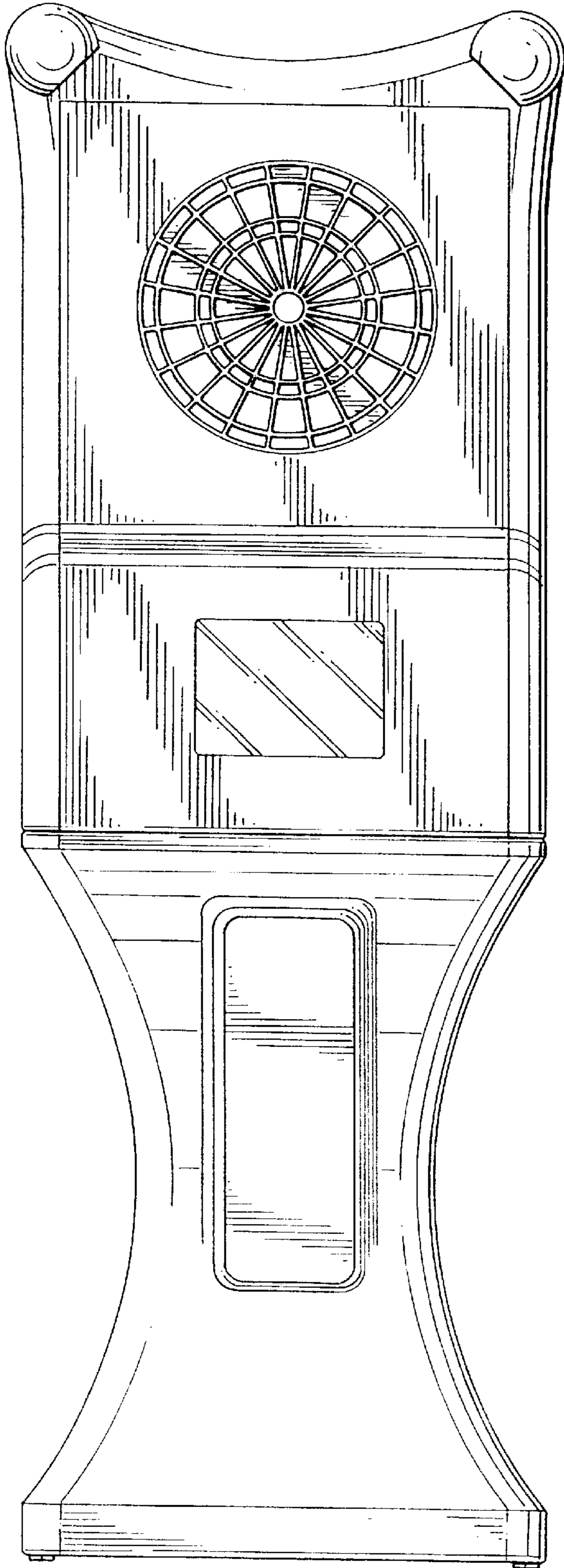


FIG. 3

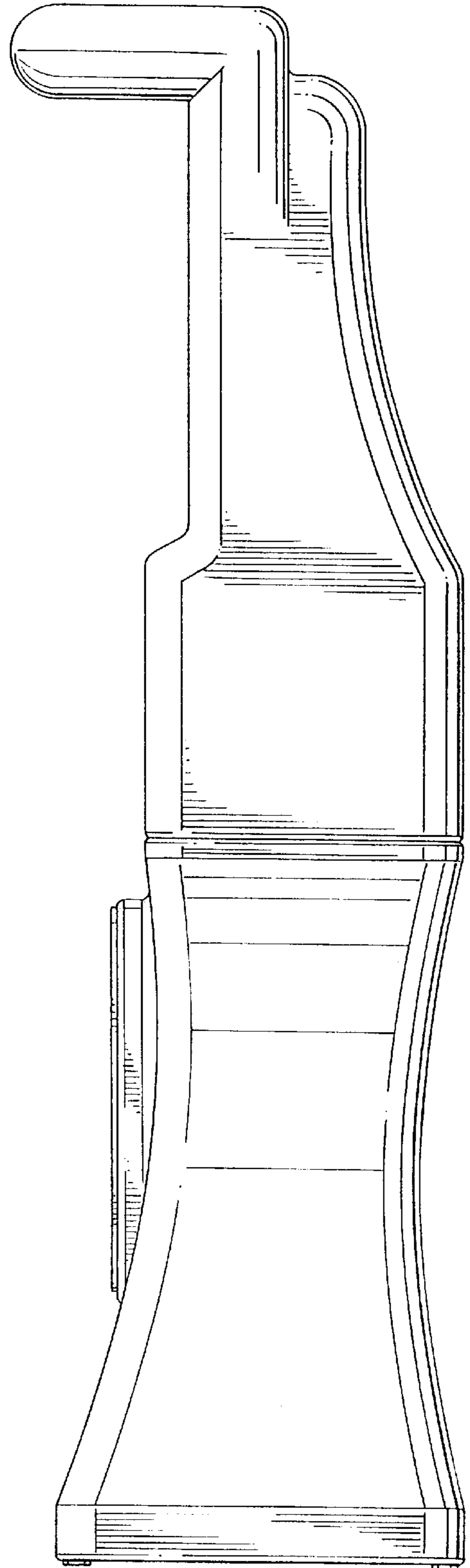


FIG. 4

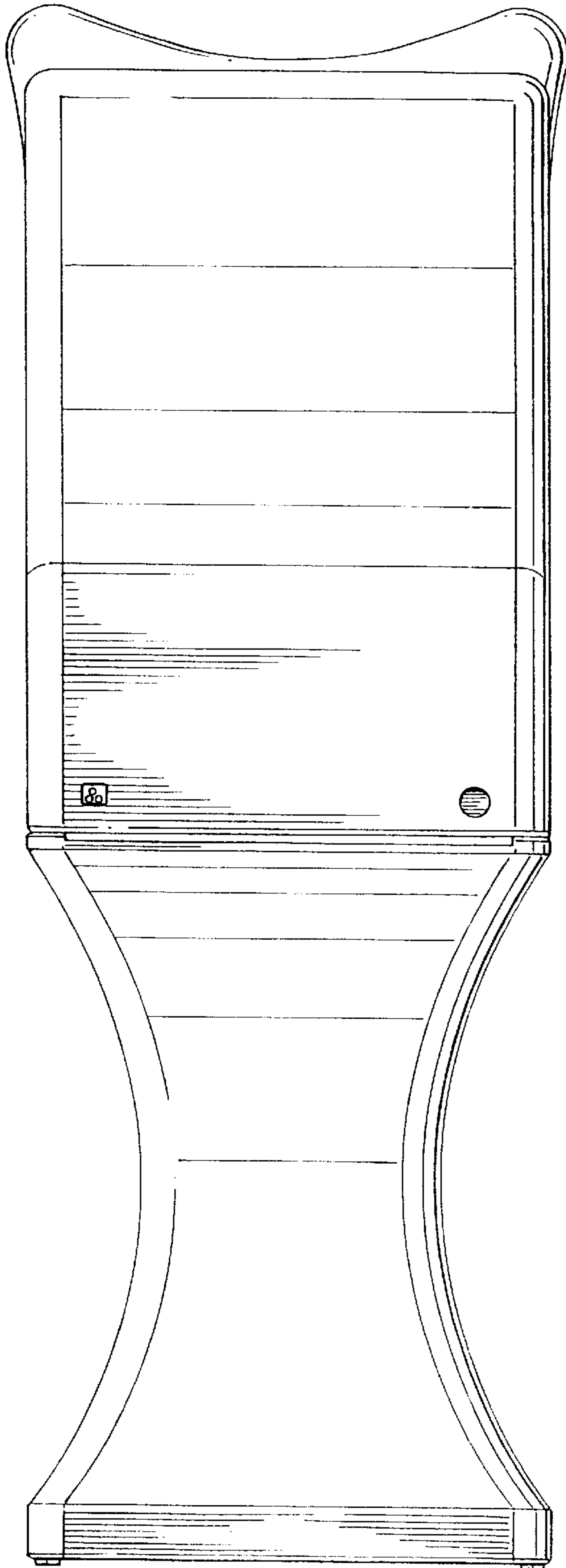


FIG. 5

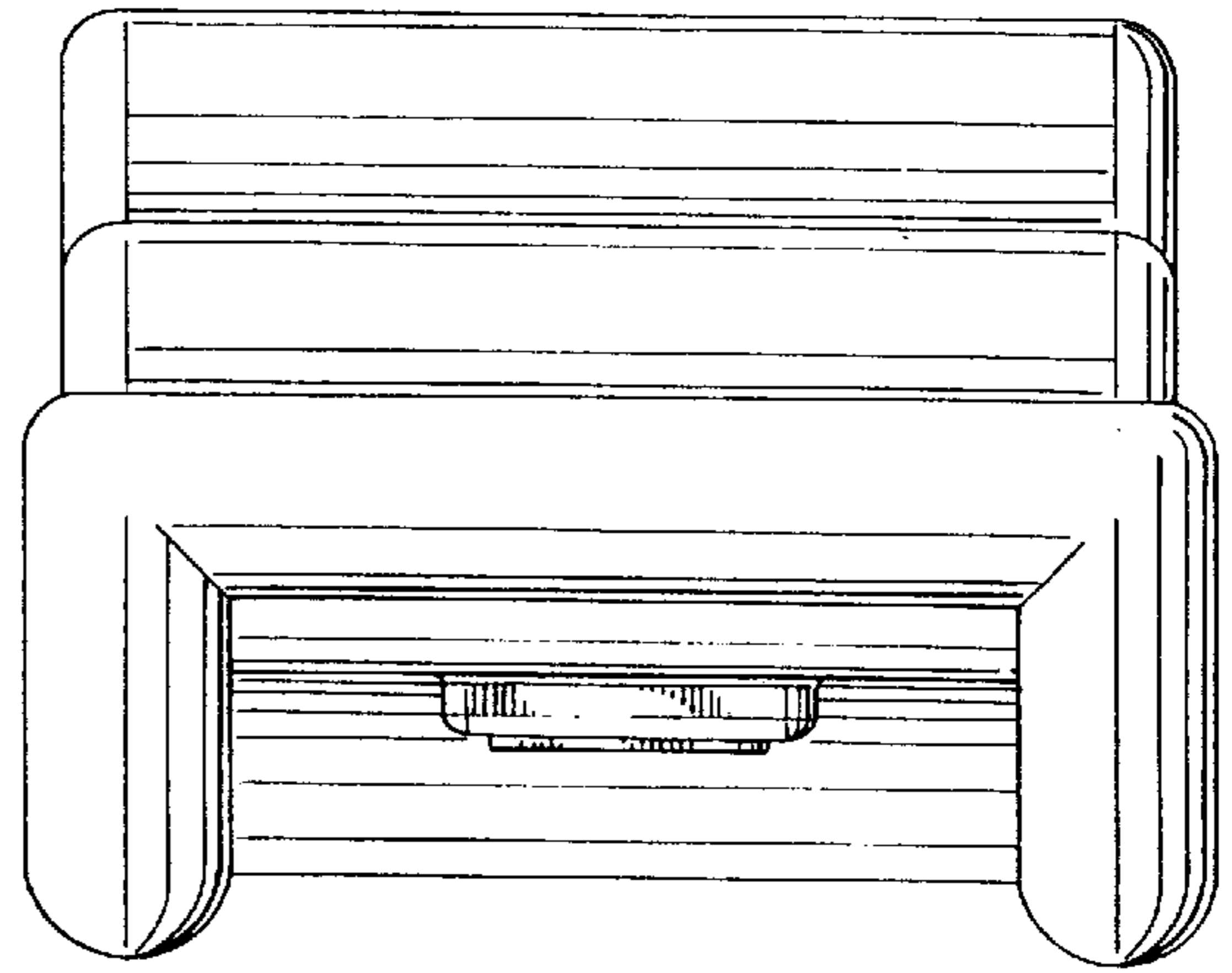


FIG. 6

