



US00D448799B1

(12) **United States Design Patent**  
**Moor**

(10) **Patent No.:** **US D448,799 S**

(45) **Date of Patent:** **\*\* Oct. 2, 2001**

(54) **FOLDER**

(75) Inventor: **Marc L. Moor**, Oakwood, OH (US)

(73) Assignee: **The Mead Corporation**, Dayton, OH (US)

(\*\*) Term: **14 Years**

(21) Appl. No.: **29/132,636**

(22) Filed: **Nov. 13, 2000**

(51) **LOC (7) Cl.** ..... **19-04**

(52) **U.S. Cl.** ..... **D19/26**

(58) **Field of Search** ..... D19/26, 27; 283/37, 283/38, 36, 39, 43, 73, 62, 46, 81; 402/2, 18, 73, 78, 79, 80 R; 229/67.3; D3/303

(56) **References Cited**

**U.S. PATENT DOCUMENTS**

D. 182,059	2/1958	Chase .	
D. 322,458	12/1991	Wiberg .	
D. 435,863	* 1/2001	Eskandry .....	D19/27
1,743,305	1/1930	Banks .	
1,794,560	3/1931	Styll .	
2,299,319	10/1942	Gale .	
4,573,821	3/1986	Gilreath .	
4,784,508	11/1988	Shannon .	
4,907,904	* 3/1990	Baldwin .....	402/79 X
4,932,683	6/1990	Perazza .	

4,973,086	11/1990	Donnelly et al. .	
5,123,676	6/1992	Donnelly et al. .	
5,170,889	12/1992	Cue .	
5,242,197	9/1993	Raynak .	
5,320,275	6/1994	Williams .	
5,333,908	8/1994	Dorney et al. .	
5,503,435	4/1996	Kline .	
5,513,457	5/1996	Byrnes et al. .	
5,590,911	* 1/1997	Wilson .....	D19/36
5,749,666	5/1998	Yu .	
5,797,630	8/1998	Conley, Jr. .	

\* cited by examiner

*Primary Examiner*—Paula A. Mortimer

(74) *Attorney, Agent, or Firm*—Thompson Hine LLP

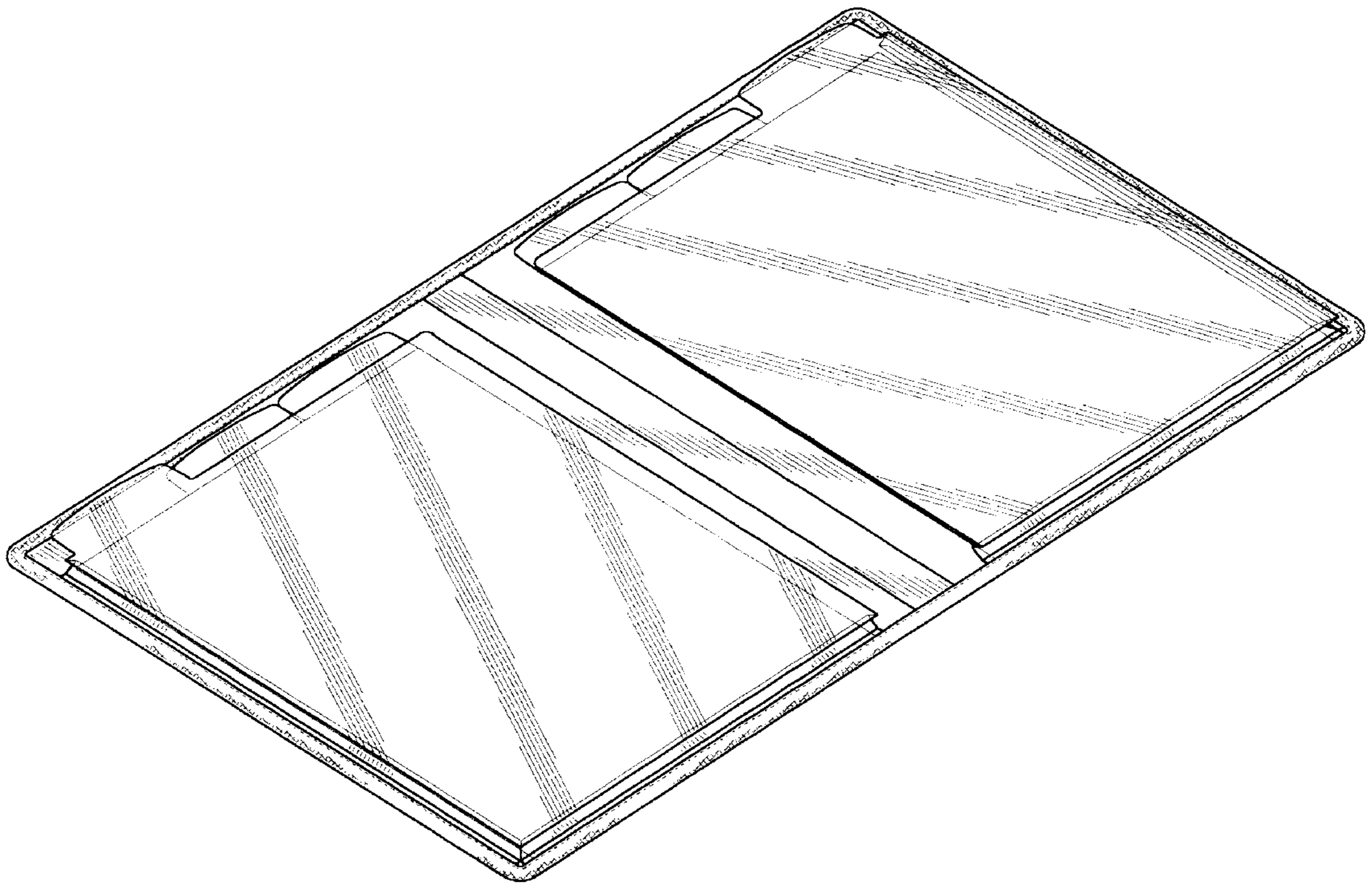
(57) **CLAIM**

The ornamental design for a folder, as shown.

**DESCRIPTION**

FIG. 1 is a front perspective view of the folder of the present invention, shown in its open position; FIG. 2 is a front view of the folder of FIG. 1; FIG. 3 is a top end view of the folder of FIG. 1; FIG. 4 is a bottom end view of the folder of FIG. 1; FIG. 5 is a left side view of the folder of FIG. 1; FIG. 6 is a right side view of the folder of FIG. 1; and, FIG. 7 is a back view of the folder of FIG. 1.

**1 Claim, 4 Drawing Sheets**



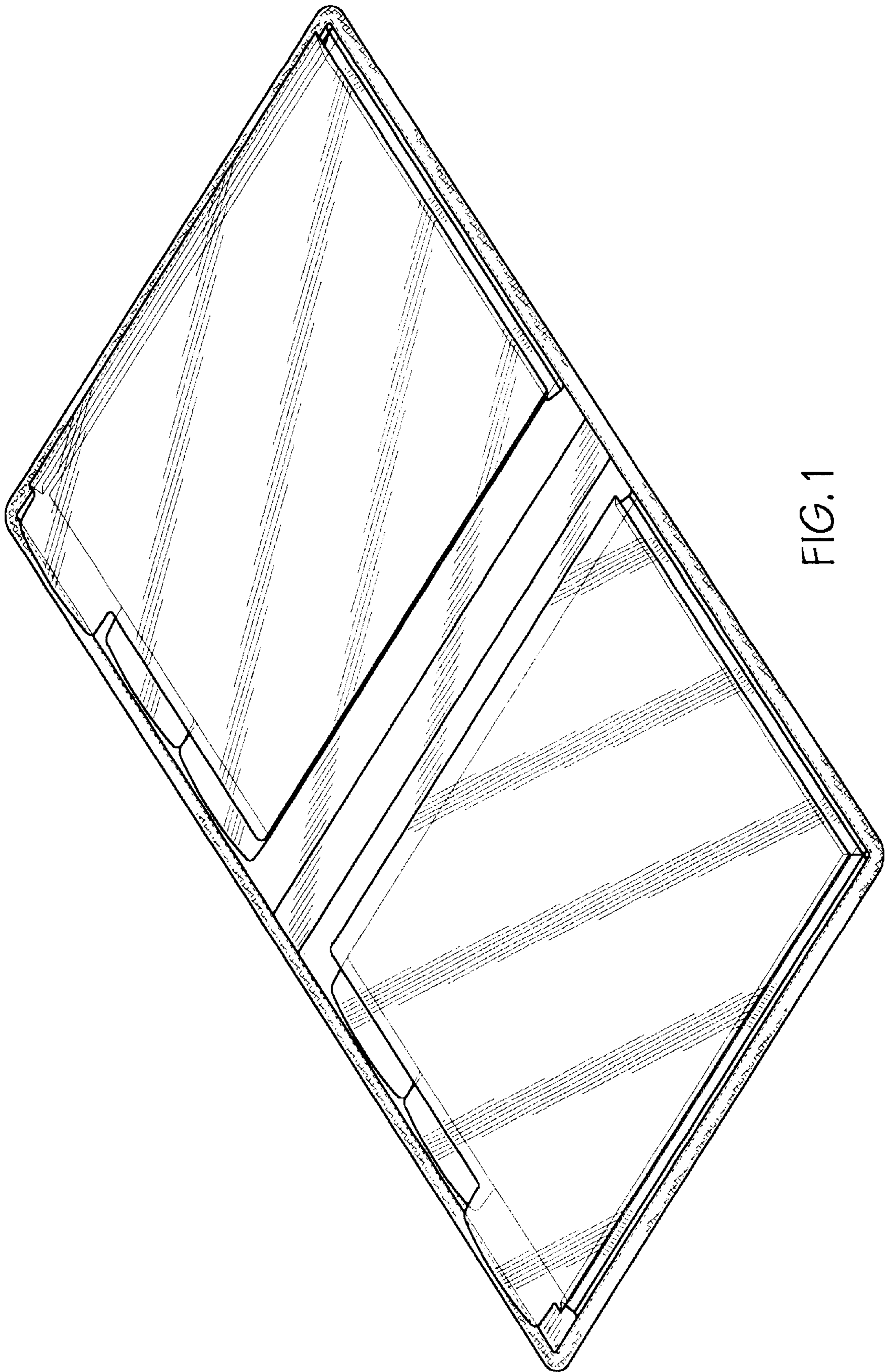


FIG. 1

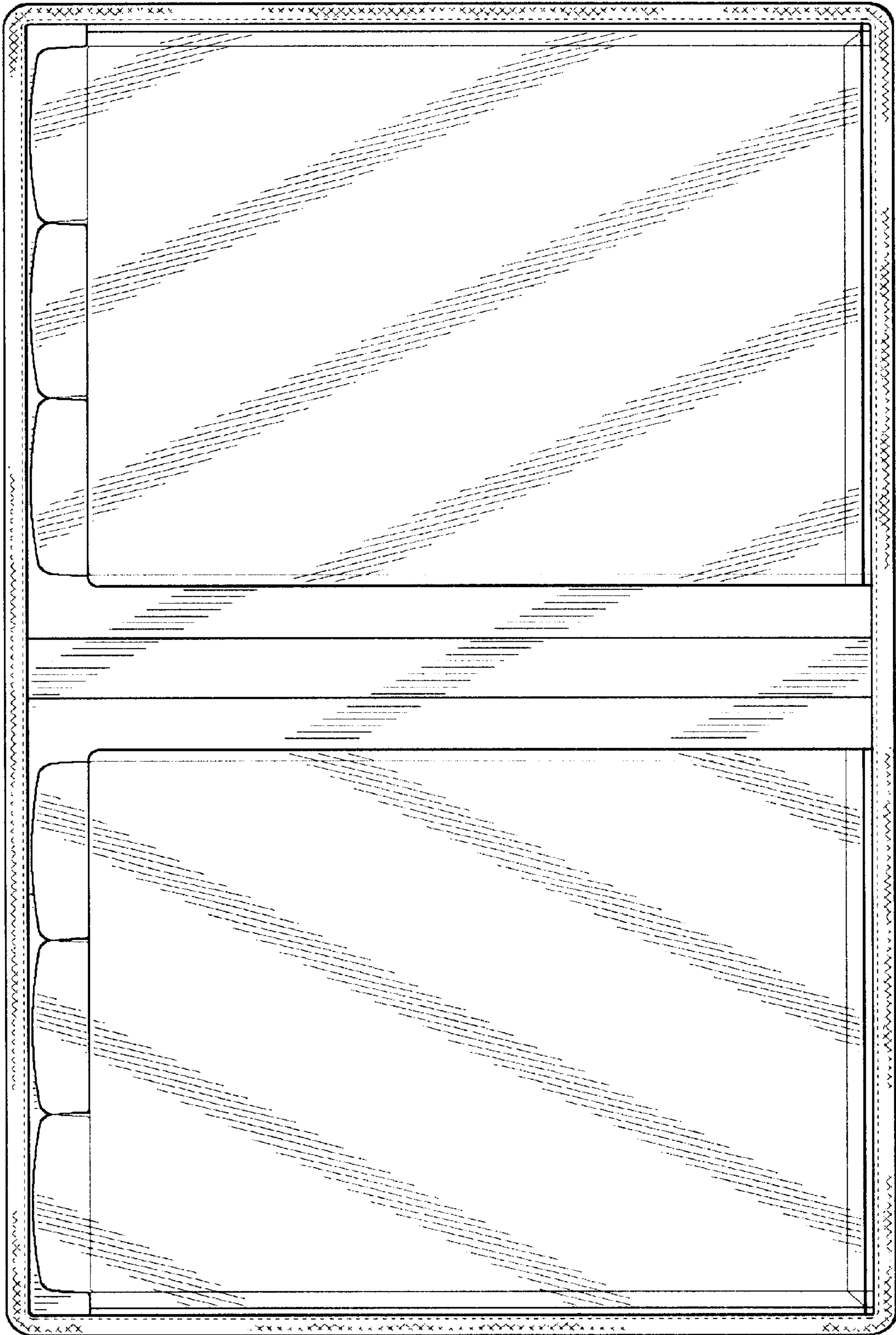


FIG. 2

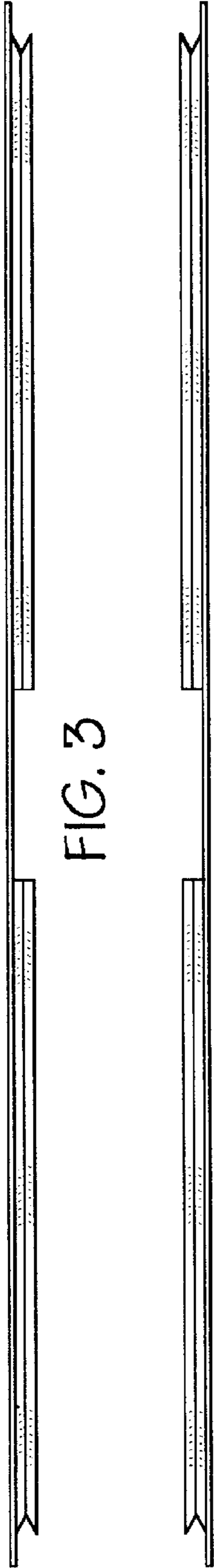


FIG. 3

FIG. 4

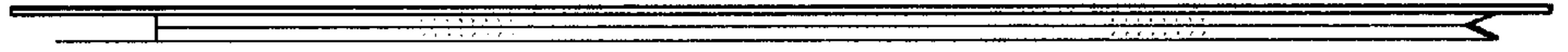


FIG. 6

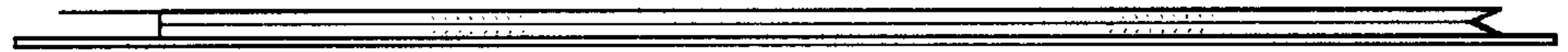


FIG. 5

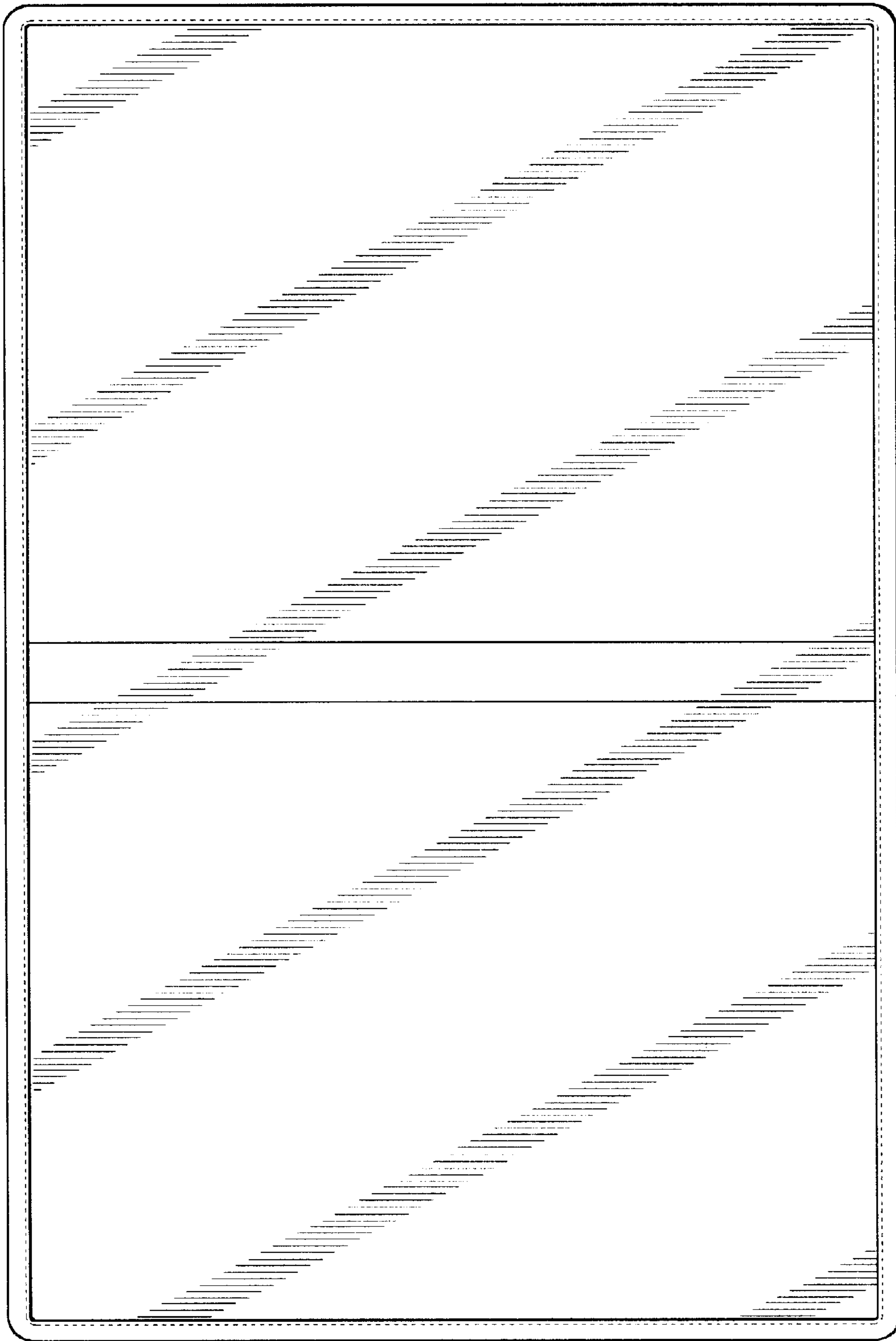


FIG. 7