



US00D448797B1

(12) **United States Design Patent**  
**Carrese et al.**

(10) **Patent No.:** **US D448,797 S**

(45) **Date of Patent:** **\*\* Oct. 2, 2001**

(54) **INK TANK**

(75) Inventors: **Edward M. Carrese; Hiep Nguyen**, both of Rochester; **Eric A. Merz; Bruce A. LaPlant**, both of Webster; **Richard E. Butts; Douglas J. Baxendell**, both of Rochester; **Dennis M. Lengyel**, Hemlock; **David P. Breemes**, Palmyra, all of NY (US)

(73) Assignee: **Xerox Corporation**, Stamford, CT (US)

(\*\*) Term: **14 Years**

(21) Appl. No.: **29/126,348**

(22) Filed: **Jul. 14, 2000**

(51) **LOC (7) Cl.** ..... **18-02**

(52) **U.S. Cl.** ..... **D18/56; 347/86**

(58) **Field of Search** ..... **D18/56; 347/86, 347/87**

(56) **References Cited**

**U.S. PATENT DOCUMENTS**

D. 407,746	*	4/1999	Fujii et al.	.....	D18/56
D. 409,236	*	5/1999	Fujii et al.	.....	D18/56
D. 419,592	*	1/2000	Nakazawa et al.	.....	D18/56
D. 423,564	*	4/2000	Canfield et al.	.....	D18/56
D. 423,568	*	4/2000	Inoue et al.	.....	D18/56
D. 424,612	*	5/2000	Inoue et al.	.....	D18/56
D. 425,110	*	5/2000	Dietl et al.	.....	D18/56
D. 430,600	*	9/2000	Murcia et al.	.....	D18/56
5,875,615	*	3/1999	Ito et al.	.....	347/86

\* cited by examiner

*Primary Examiner*—Cathy Anne MacCormac

(74) *Attorney, Agent, or Firm*—Oliff & Berridge, PLC

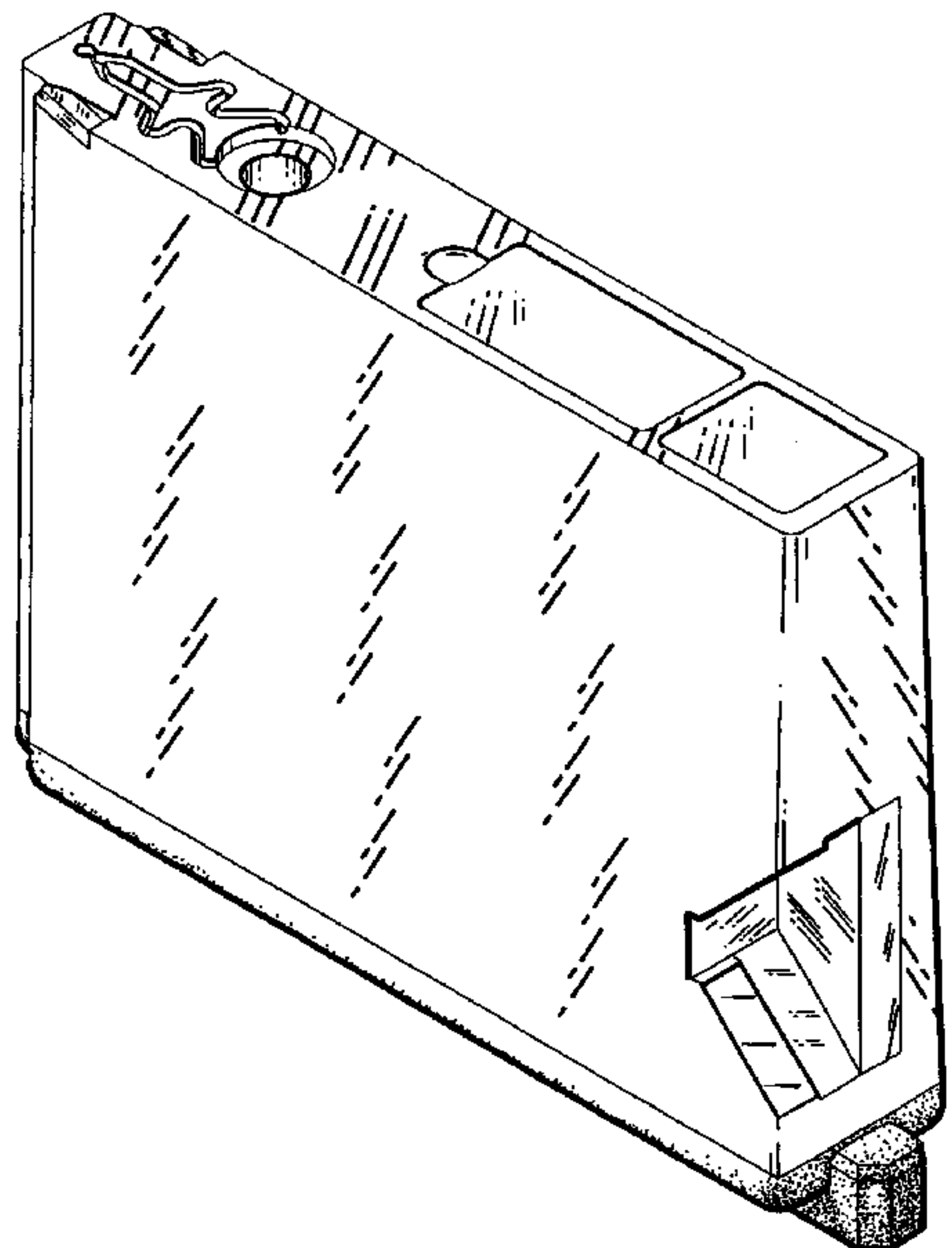
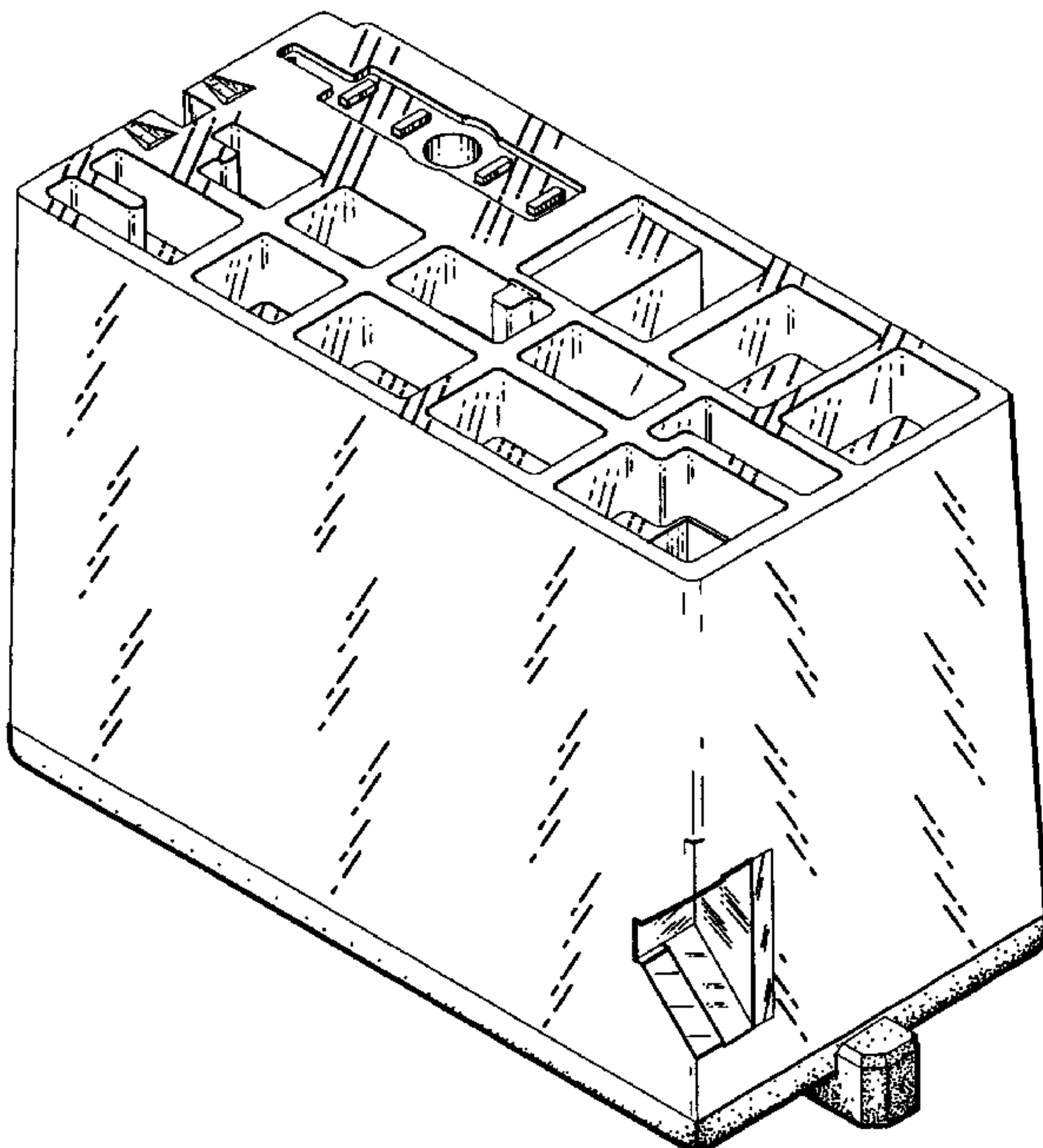
(57) **CLAIM**

The ornamental design for ink tank, as shown and described.

**DESCRIPTION**

The inside features of the ink tank have no ornamentality. FIG. 1 is a right side view of an ink tank according to a first embodiment of the invention; FIG. 2 is a rear view thereof; FIG. 3 is a top perspective view thereof; FIG. 4 is a bottom plan view thereof; FIG. 5 is a bottom perspective view thereof also showing a left side view thereof; FIG. 6 is a top plan view thereof; FIG. 7 is an enlarged perspective view of a portion of FIG. 3; FIG. 8 is an enlarged perspective view of a portion of FIG. 3; FIG. 9 is right side view of an ink tank according to a second embodiment of the invention; FIG. 10 is a rear view of FIG. 9; FIG. 11 is a top perspective view of FIG. 9; FIG. 12 is a bottom plan view of FIG. 9; FIG. 13 is a bottom perspective view of FIG. 9; FIG. 14 is a top plan view of FIG. 9; FIG. 15 is an enlarged perspective view of a portion of FIG. 11; FIG. 16 is an enlarged perspective view of a portion of FIG. 11; FIG. 17 is top perspective view of an ink tank according to a third embodiment of the invention; and, FIG. 18 is top perspective view of an ink tank according to a fourth embodiment of the invention.

**1 Claim, 18 Drawing Sheets**



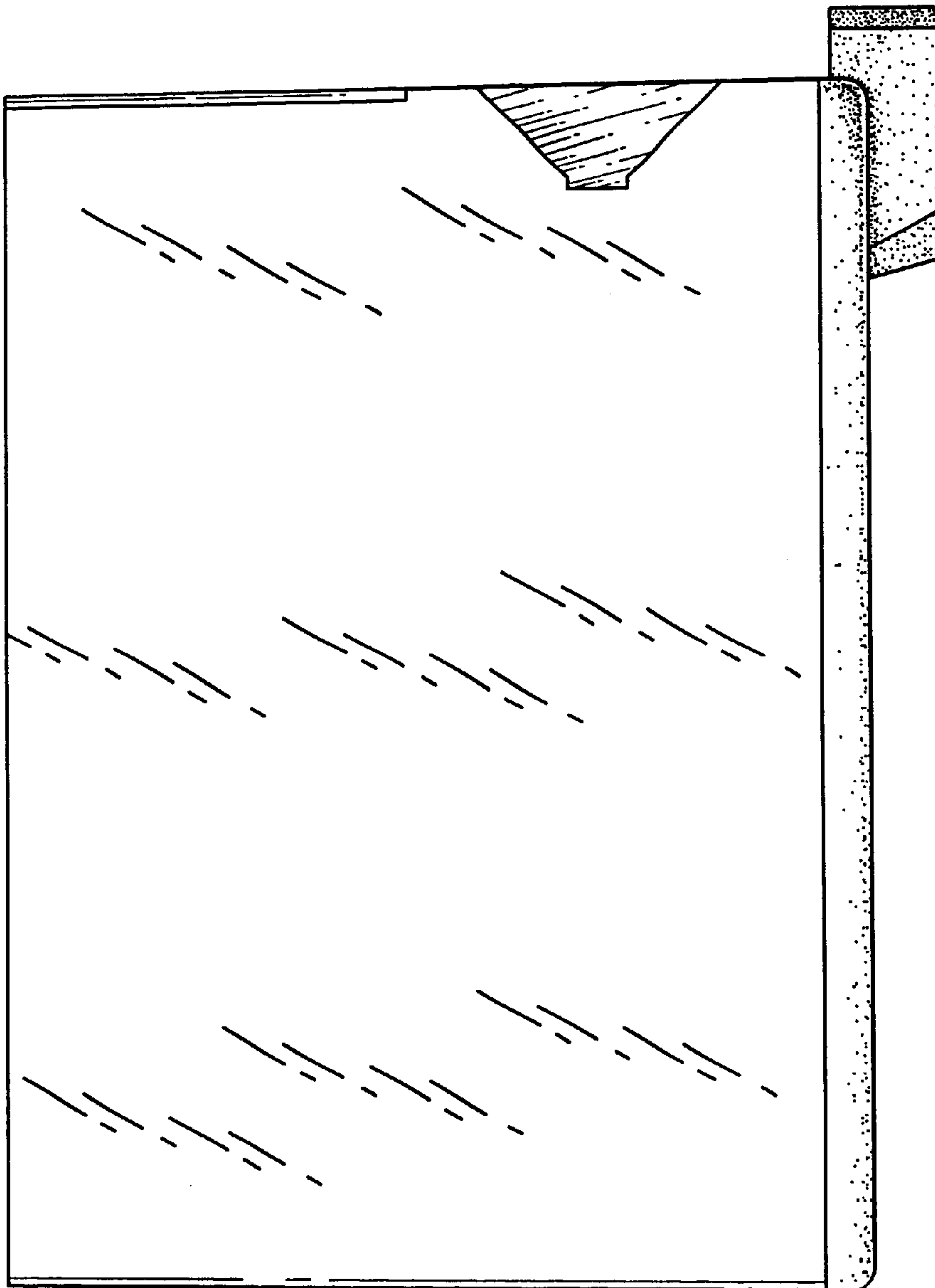


Fig. 1

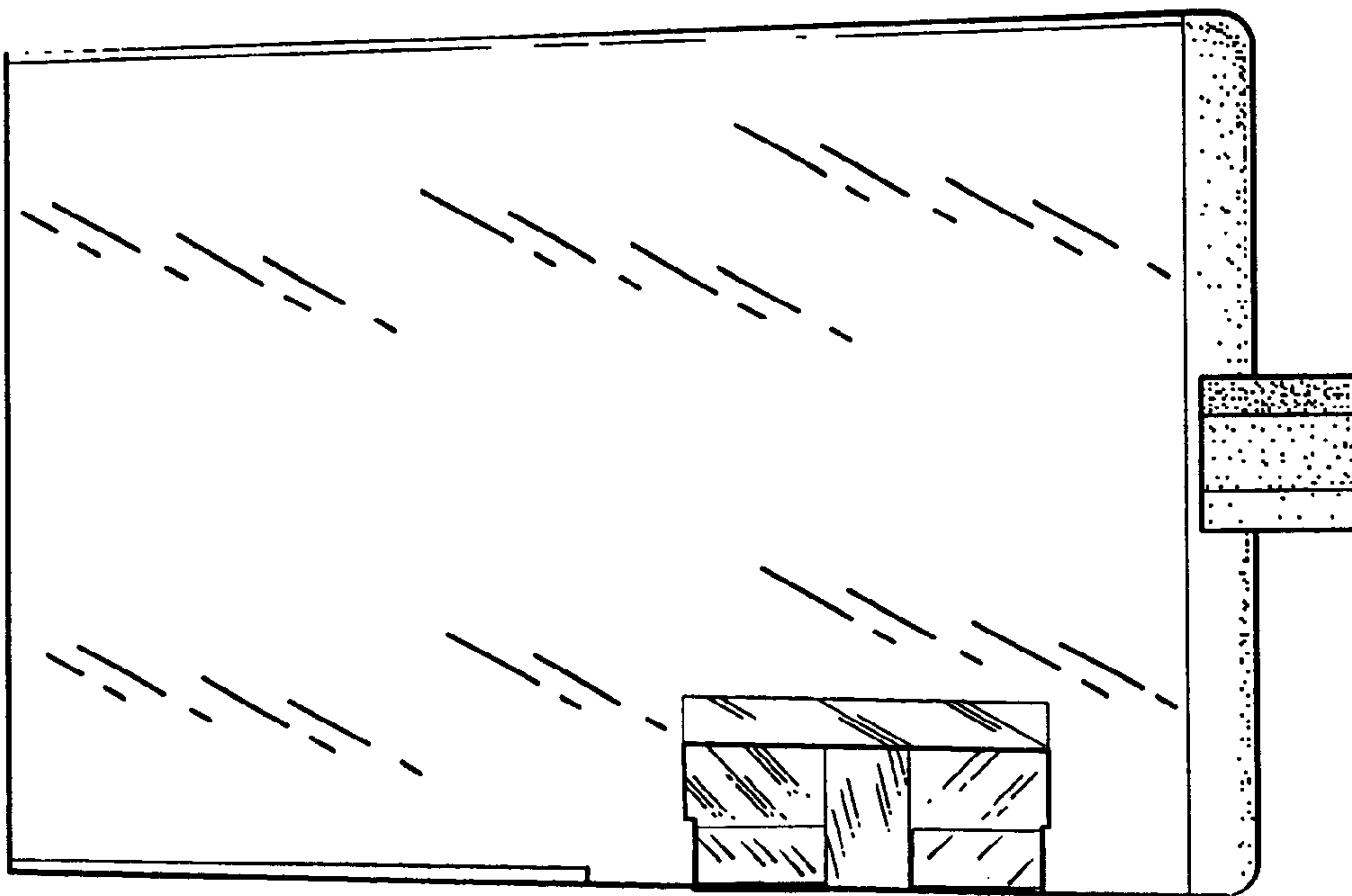


Fig. 2

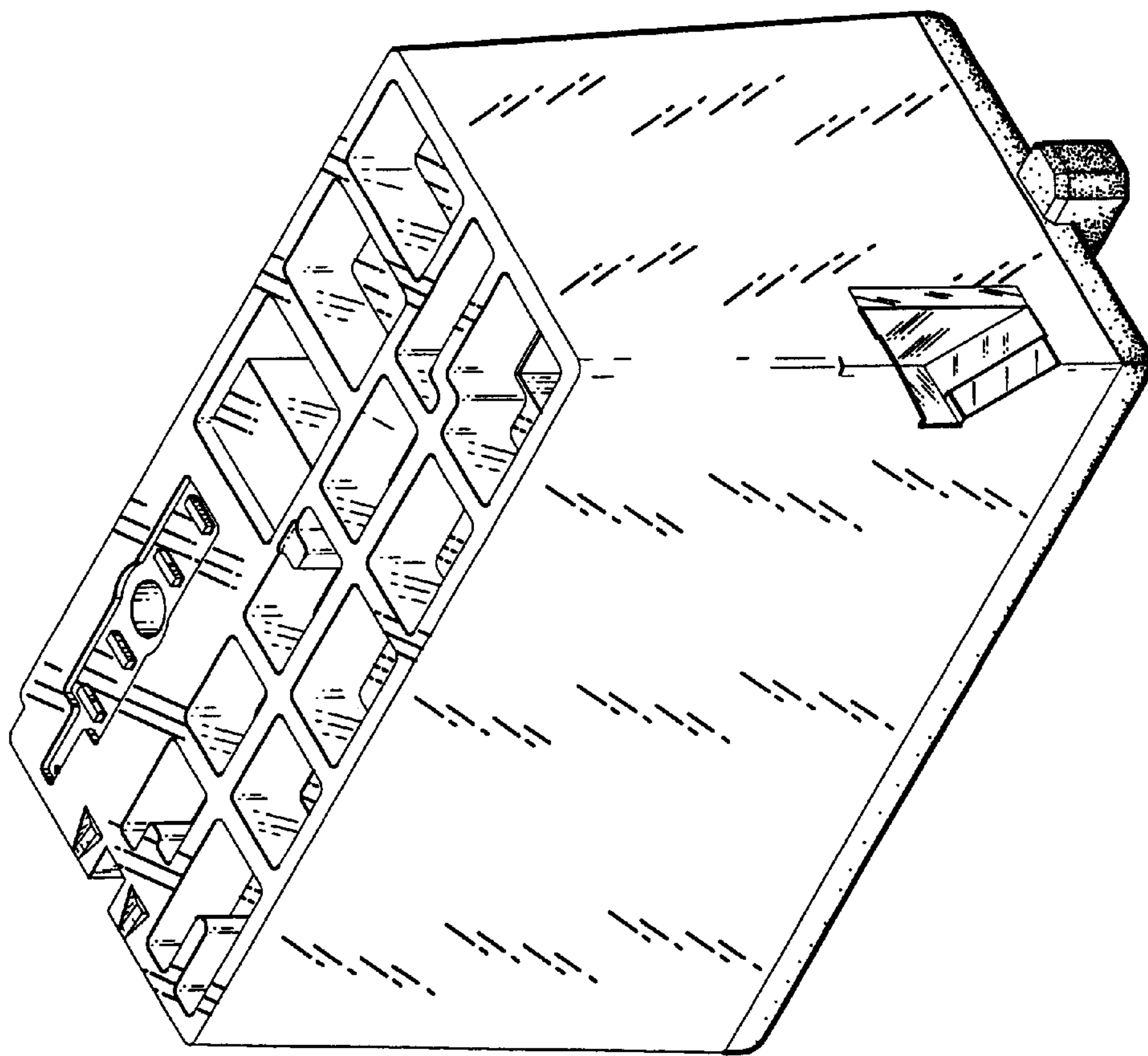


Fig. 3

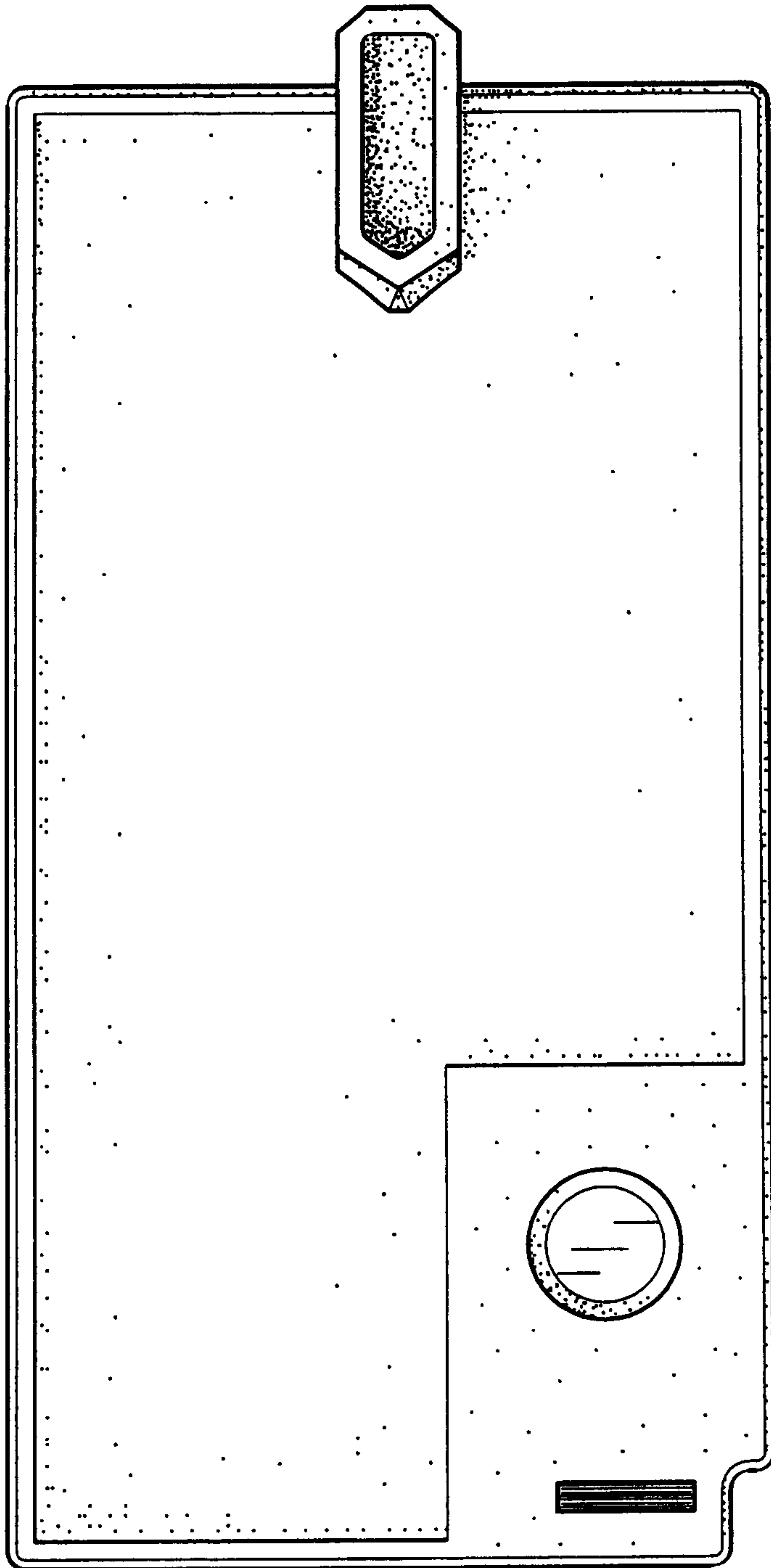


Fig. 4



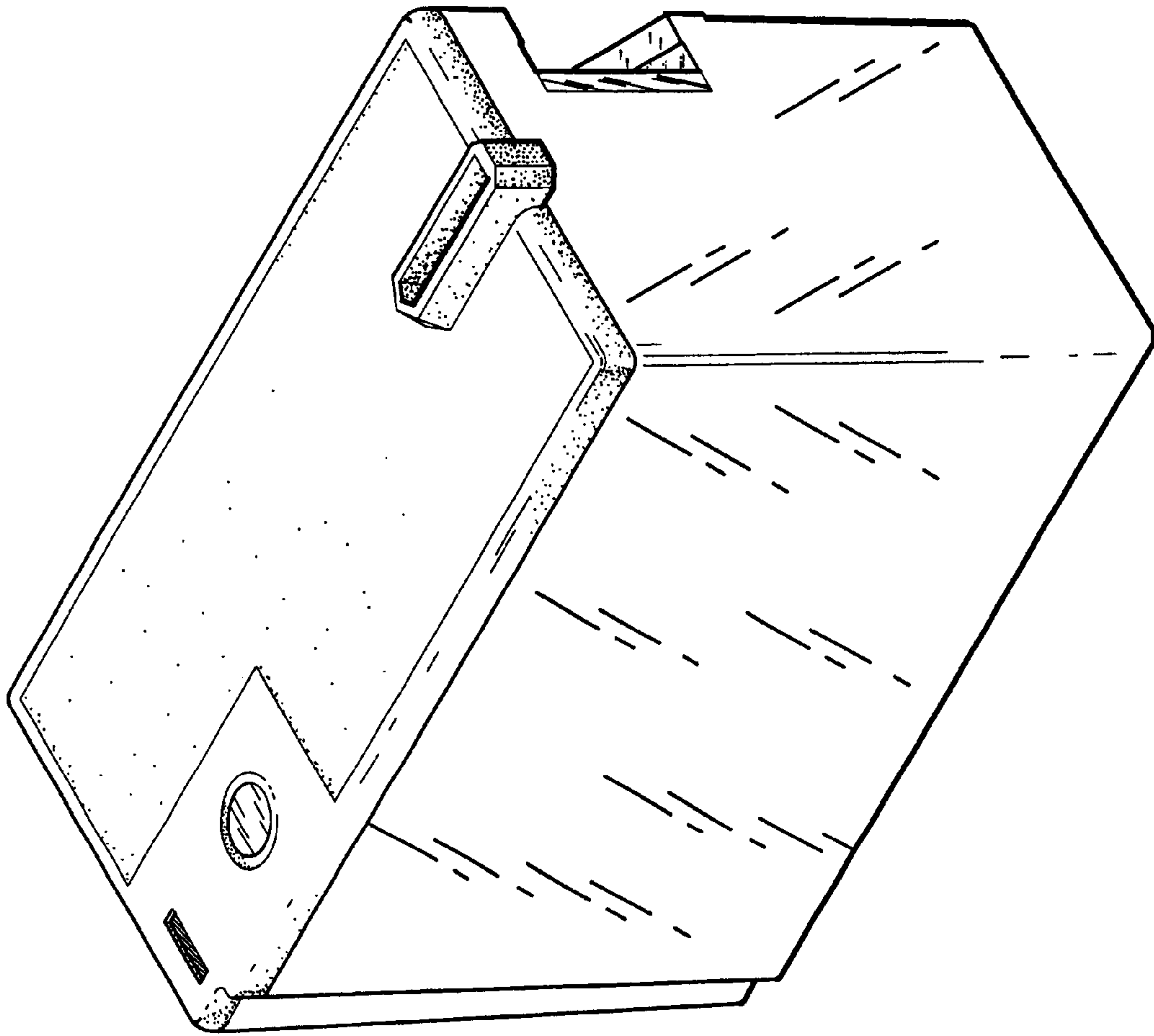


Fig. 5

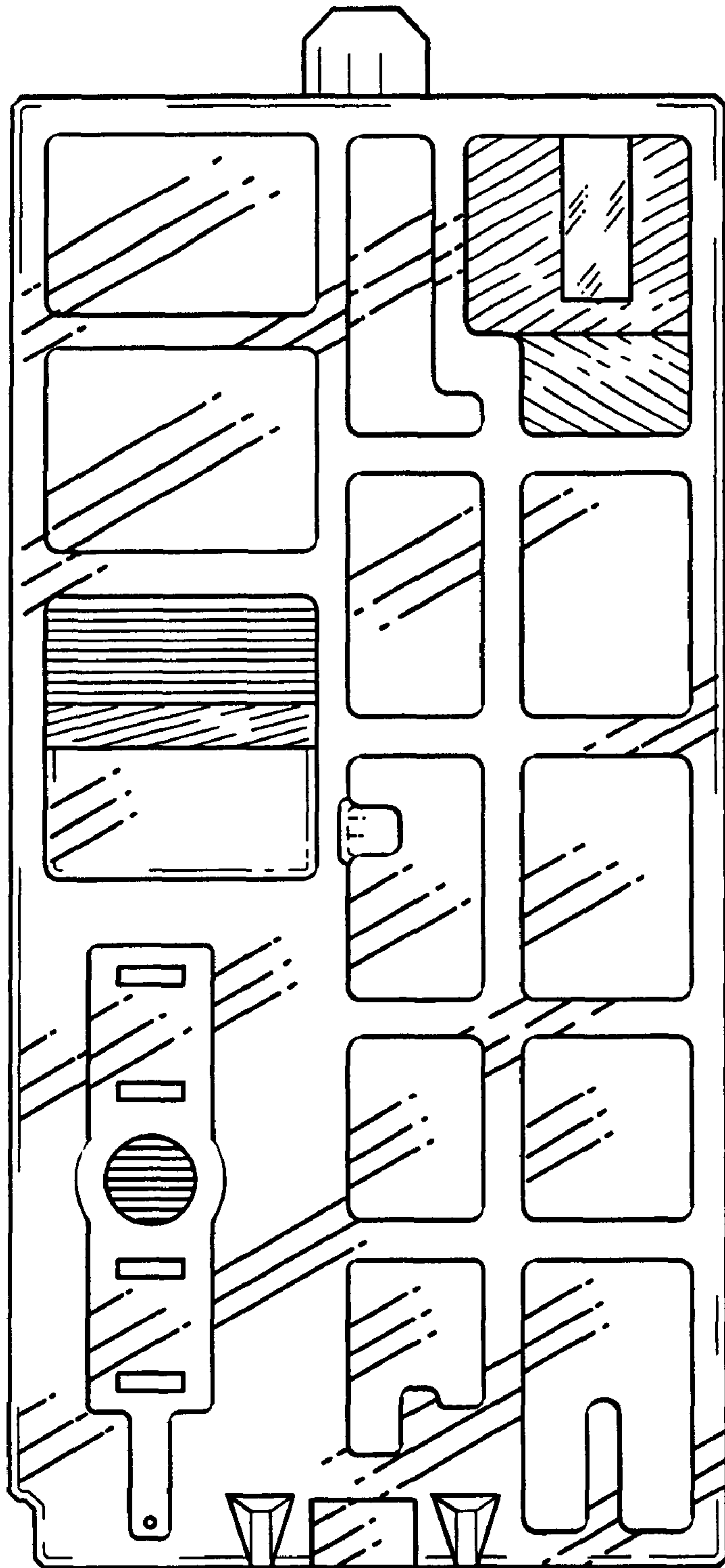
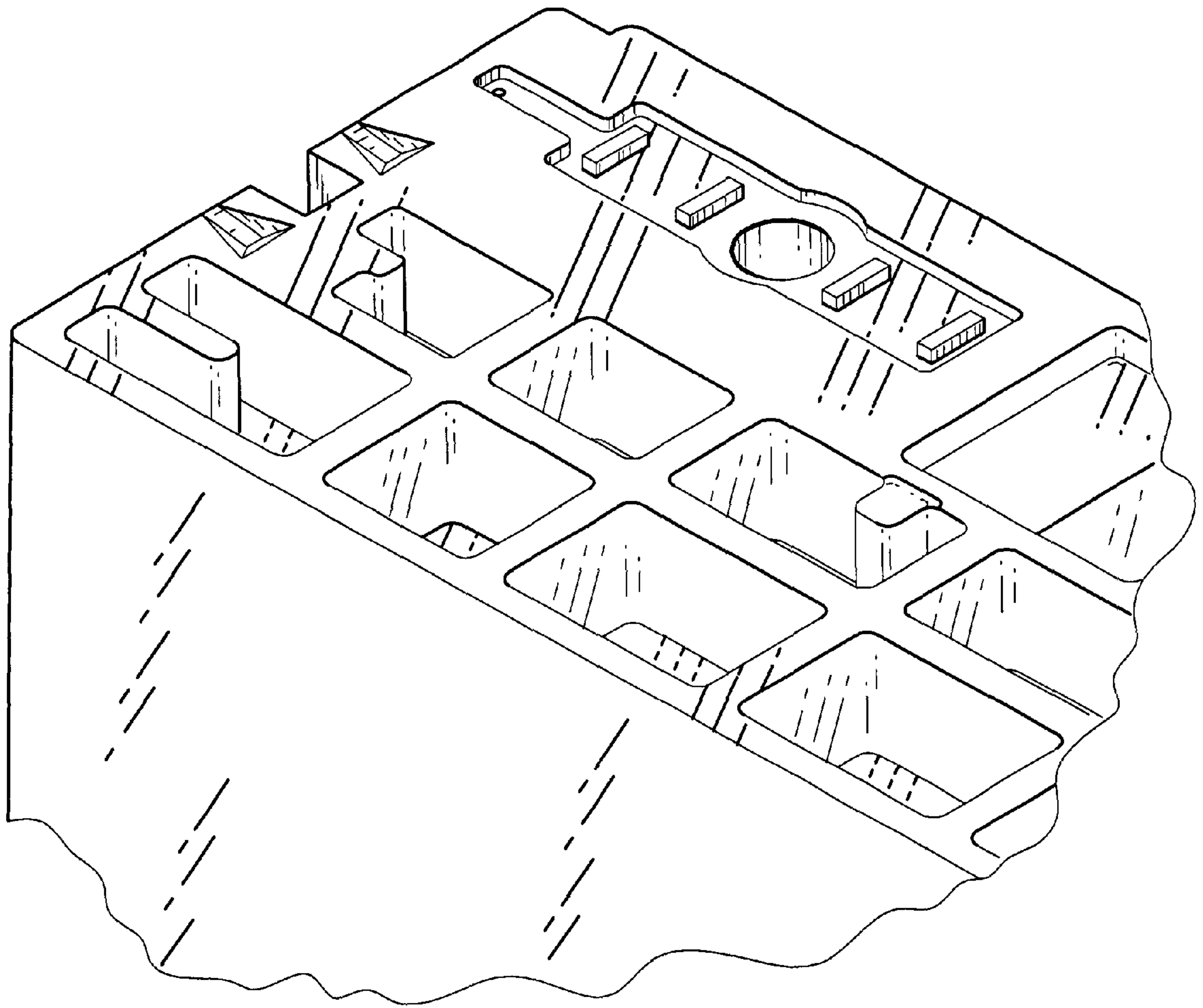
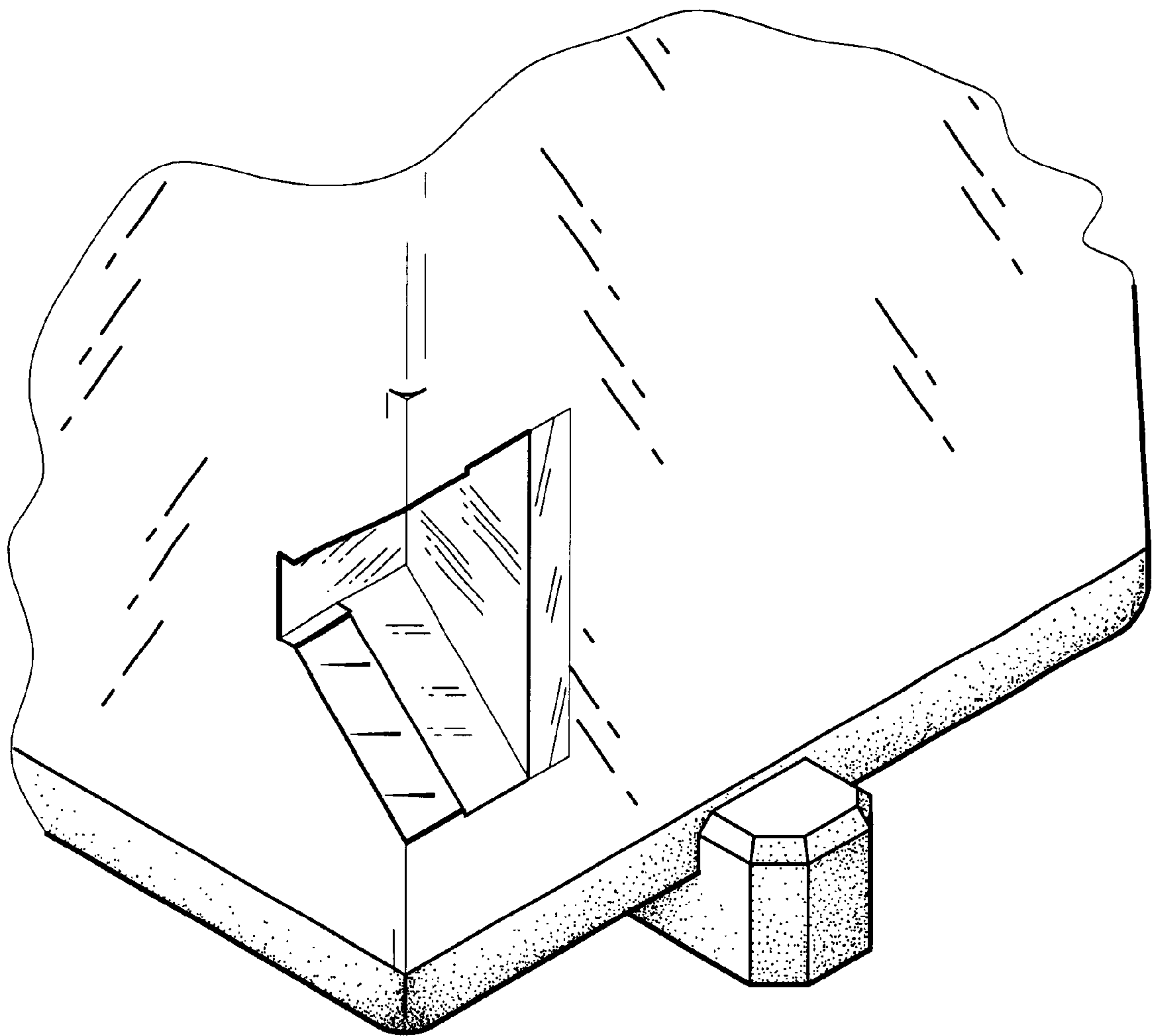


Fig. 6



*Fig. 7*





*Fig. 8*

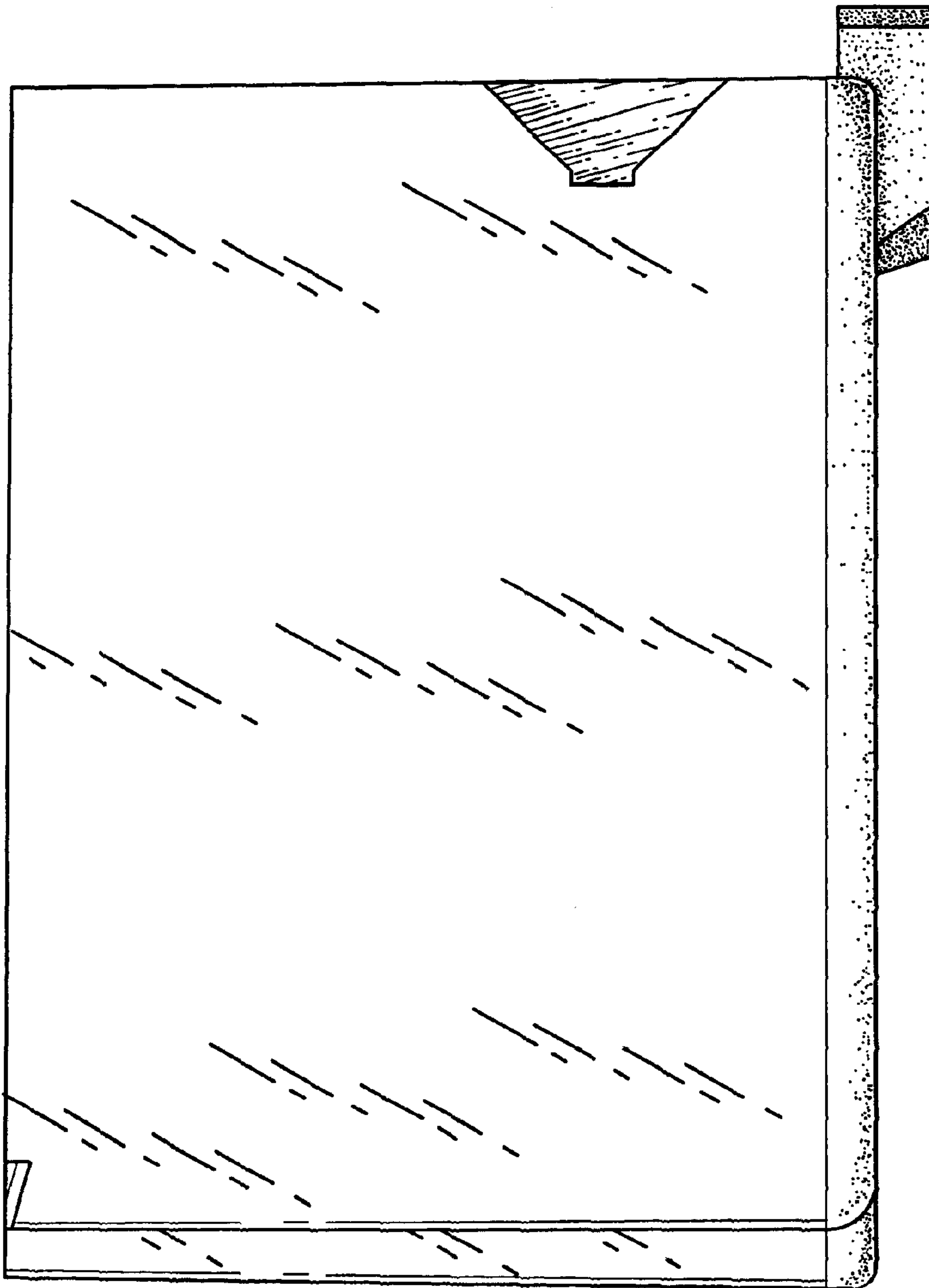
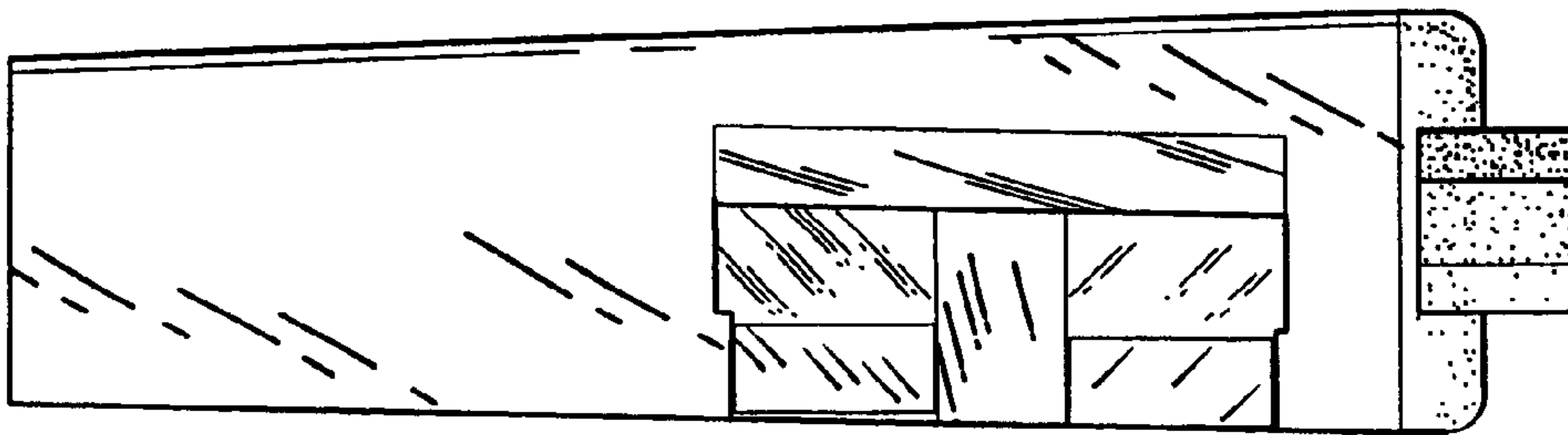


Fig. 9



*Fig. 10*

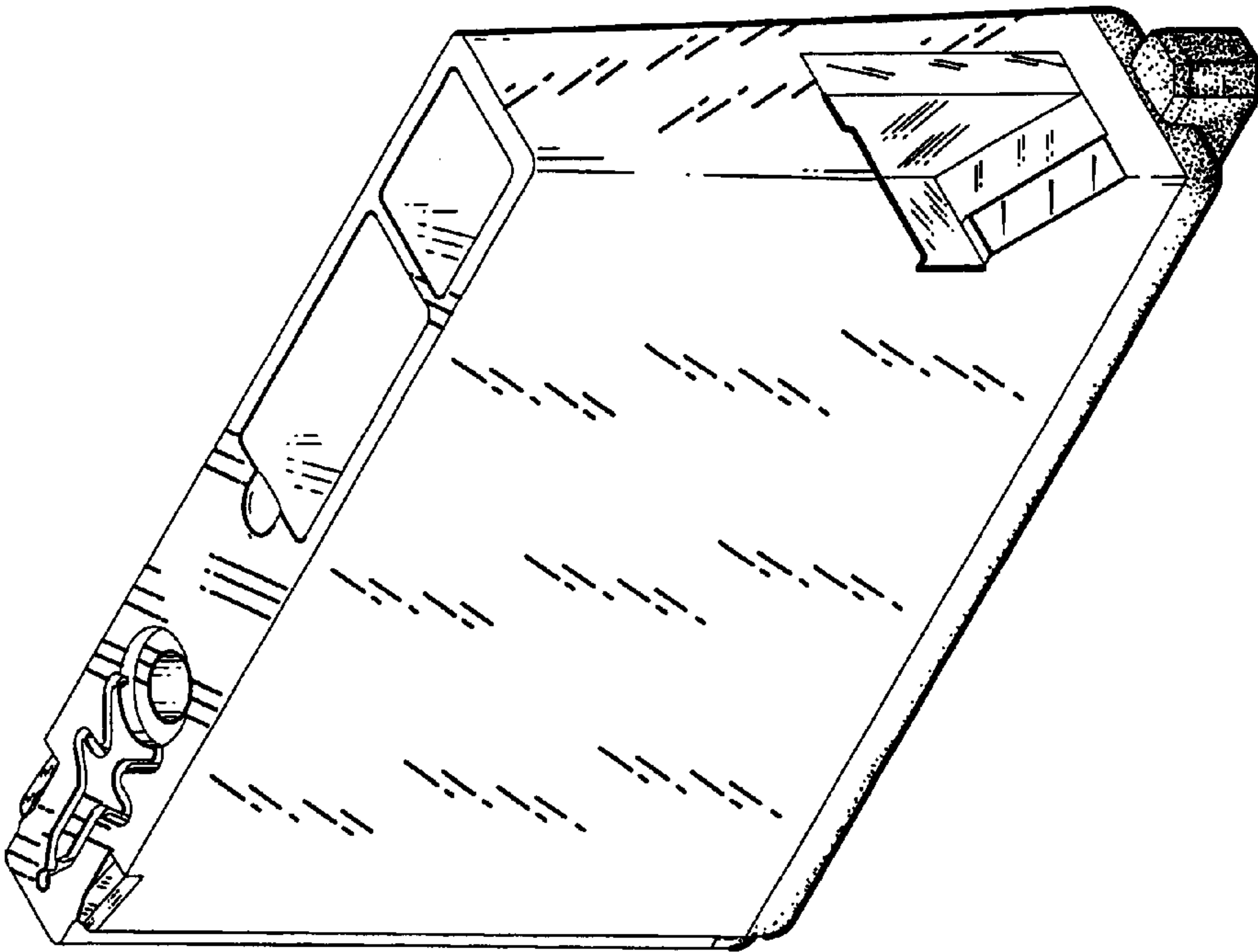
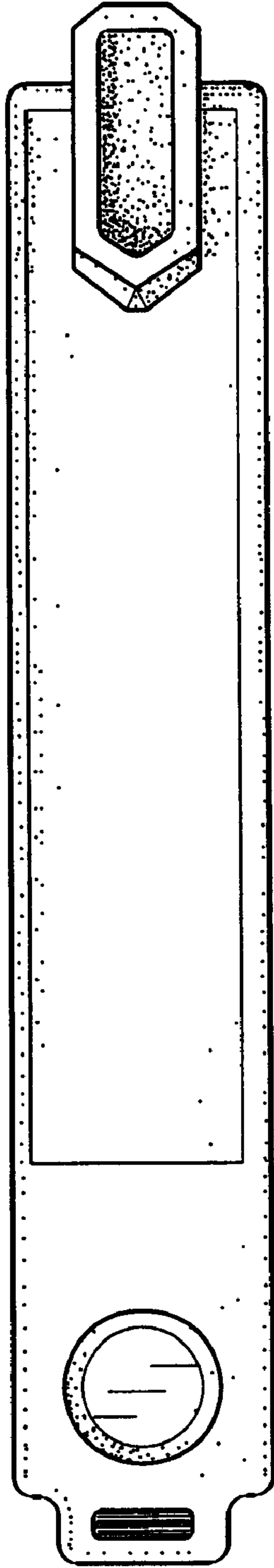


Fig. 11



*Fig. 12*



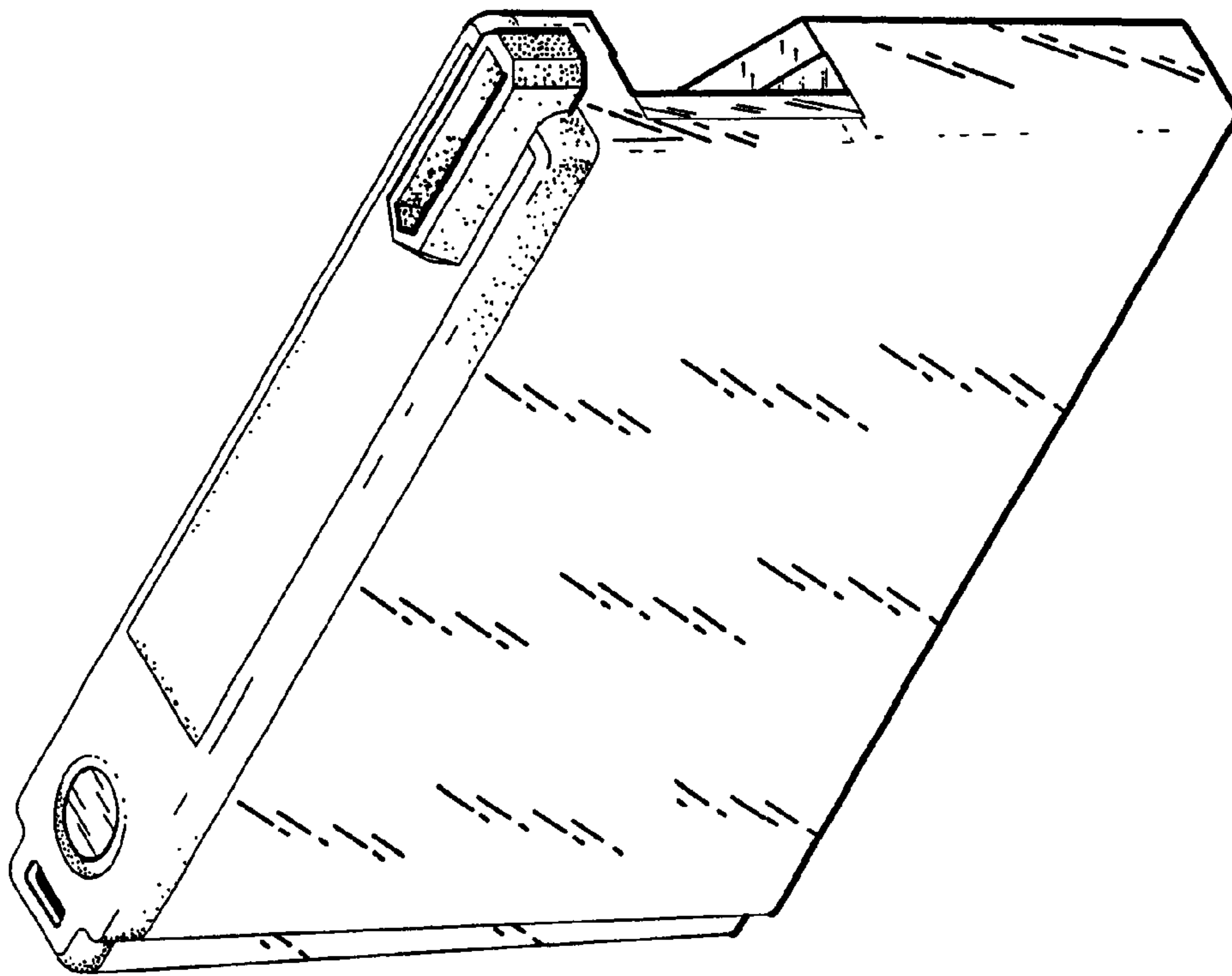
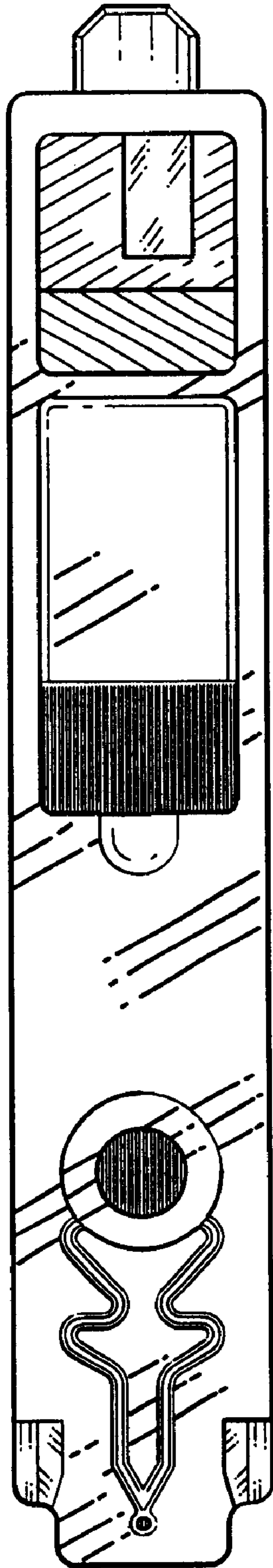
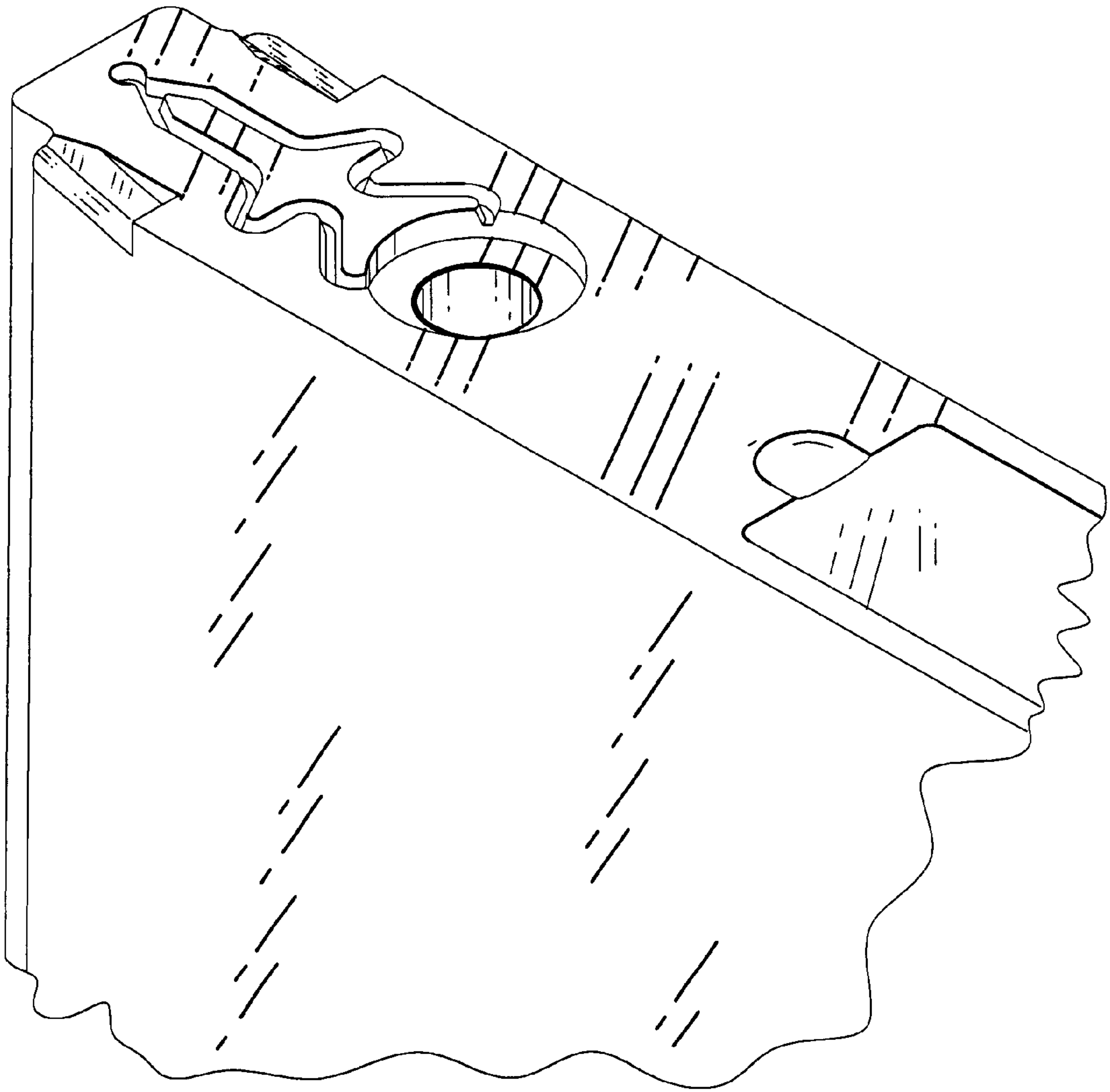


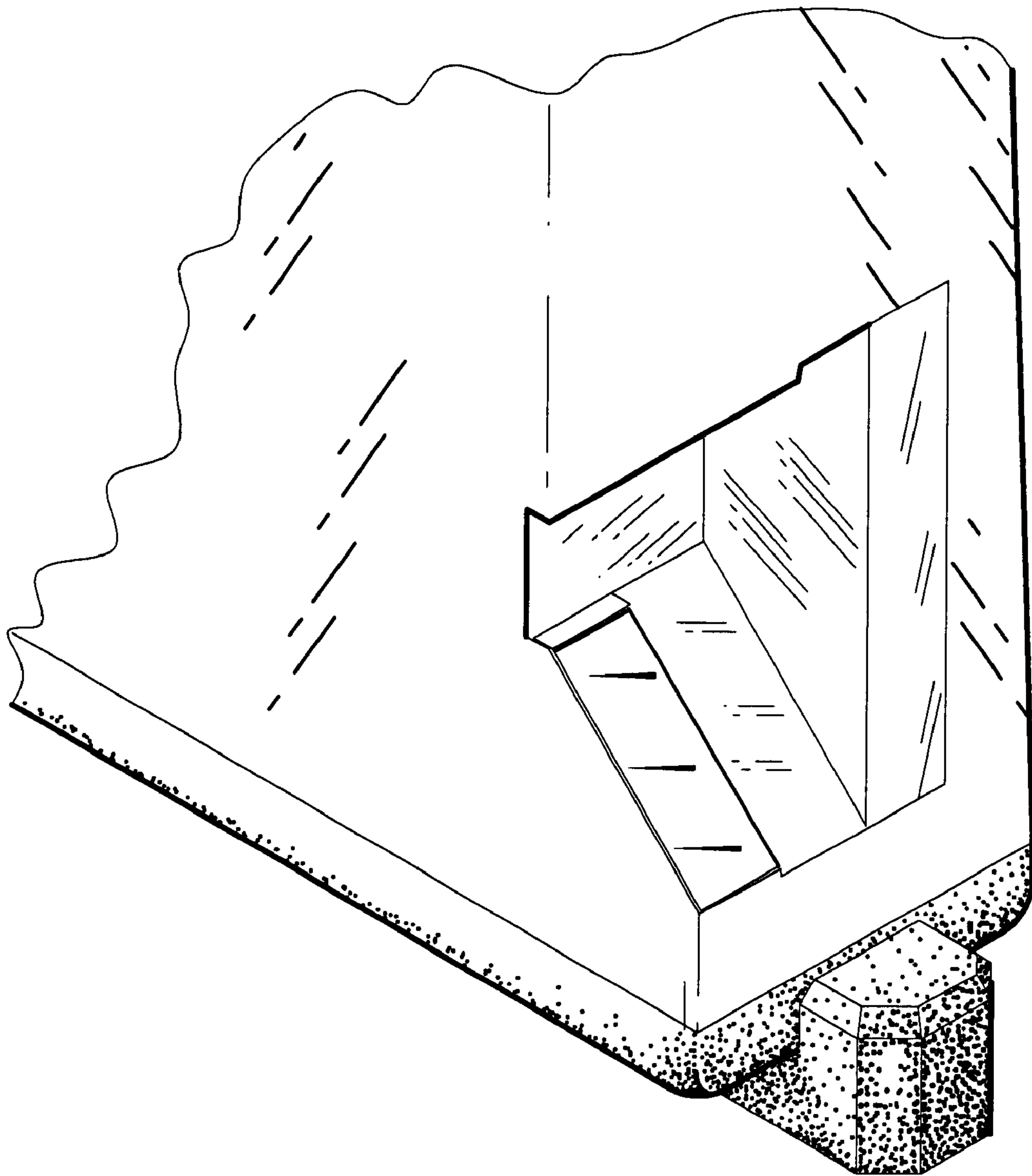
Fig. 13



*Fig. 14*



*Fig. 15*



*Fig. 16*

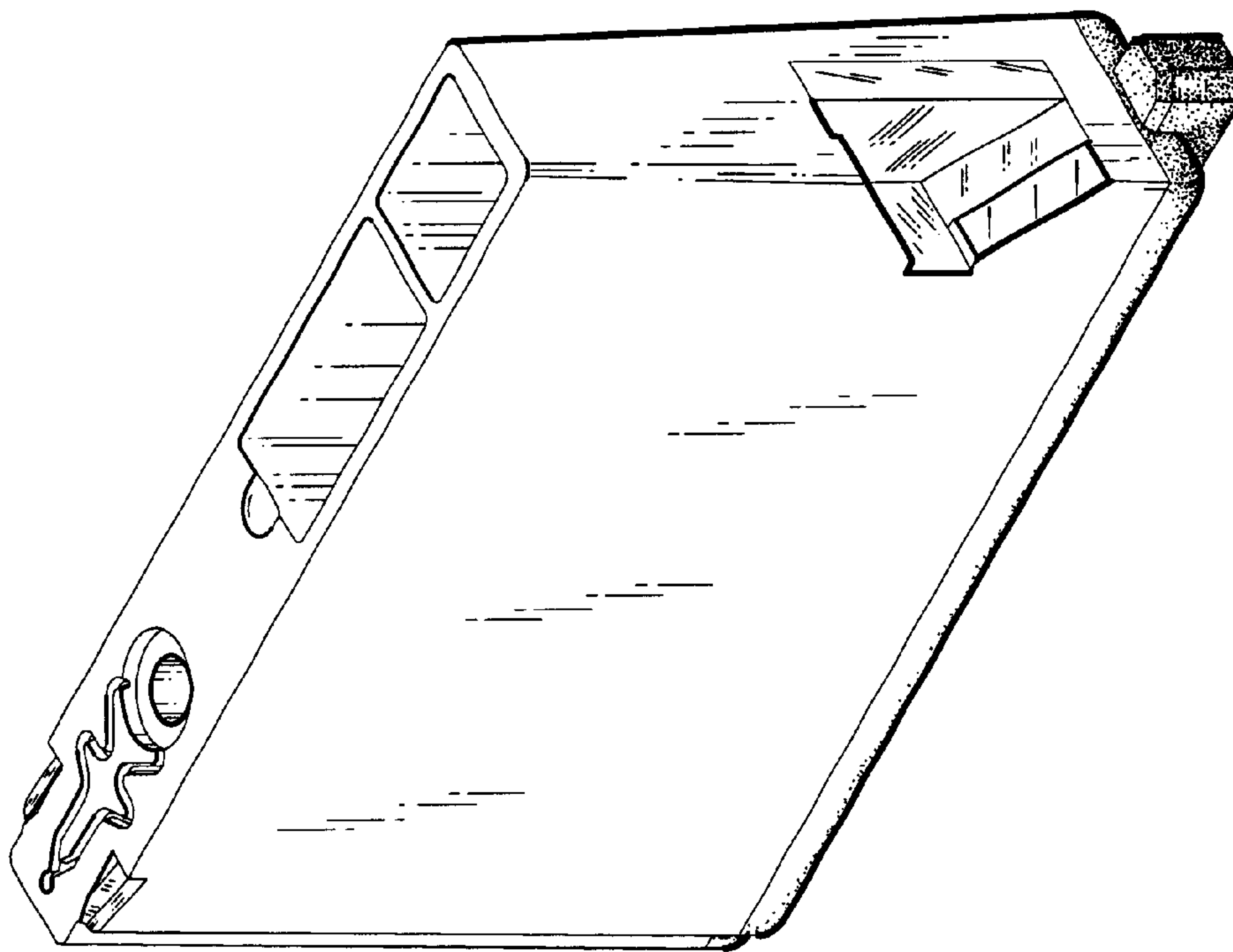


Fig. 17



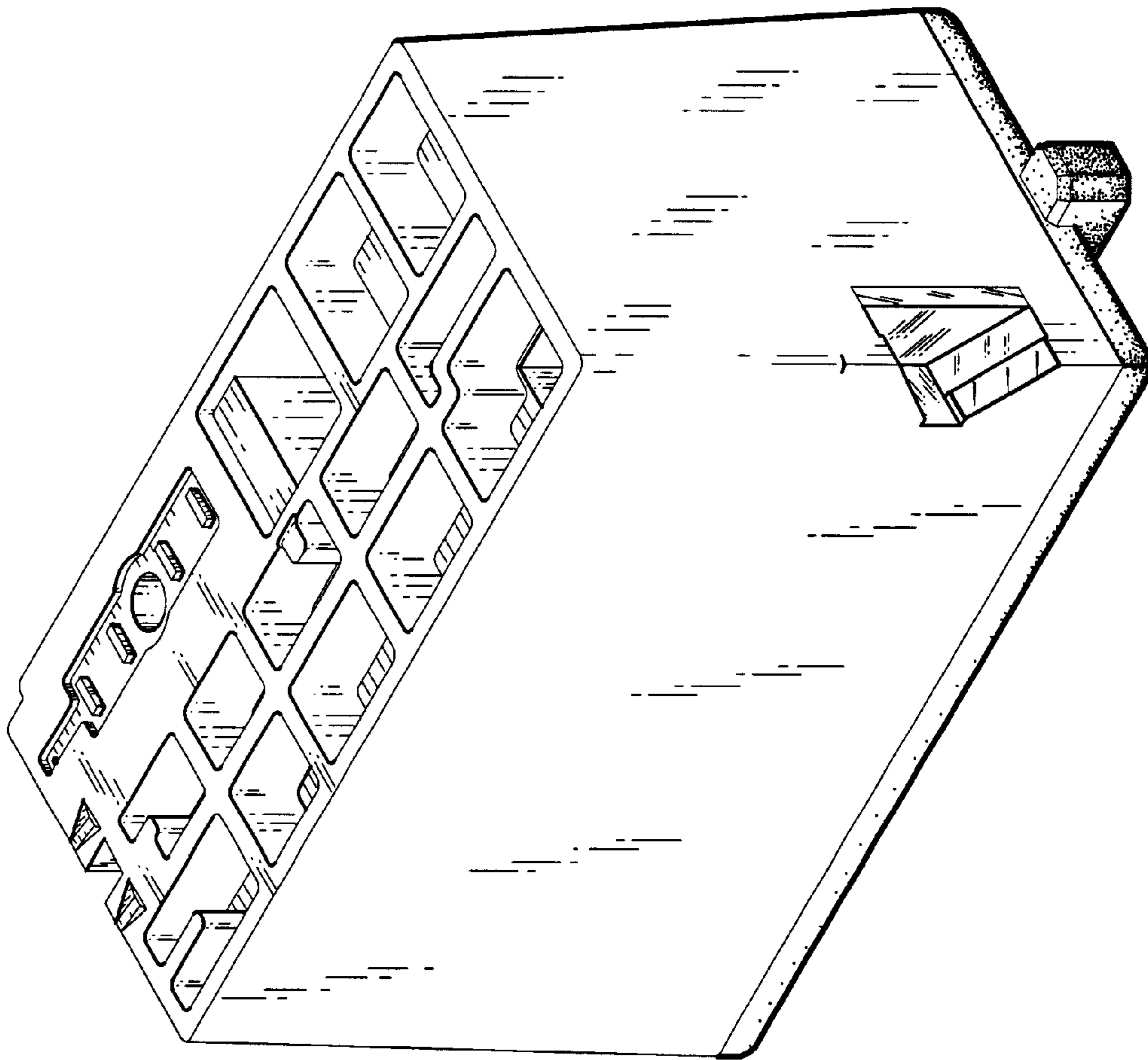


Fig. 18