



US00D448796B1

(12) **United States Design Patent**
Clark, III et al.

(10) **Patent No.:** **US D448,796 S**

(45) **Date of Patent:** **** Oct. 2, 2001**

(54) **DESKTOP PRINTER**

(75) Inventors: **William Theodore Clark, III**,
Pittsford; **Mark S. Penke**, West
Henrietta, both of NY (US)

(73) Assignee: **Xerox Corporation**, Stamford, CT
(US)

(**) Term: **14 Years**

(21) Appl. No.: **29/128,744**

(22) Filed: **Aug. 30, 2000**

(51) **LOC (7) Cl.** **14-02**

(52) **U.S. Cl.** **D18/55**

(58) **Field of Search** D18/50, 54-55,
D18/36-39; D14/462-470; 400/613, 613.1-613.4,
690.1-690.4, 691-694

(56) **References Cited**

U.S. PATENT DOCUMENTS

- D. 280,900 * 10/1985 Tsumura et al. D18/54
- D. 305,774 * 1/1990 Yomo D18/55
- D. 317,459 * 6/1991 Ono D18/54

- D. 343,858 * 2/1994 Tashiro et al. D18/55
- D. 379,827 * 6/1997 Andre D18/54
- D. 409,233 * 5/1999 Kondo D18/54
- D. 413,919 * 9/1999 Kobayashi et al. D18/54
- D. 427,235 * 6/2000 Kaseno et al. D18/54
- D. 442,218 * 5/2001 Kobayashi et al. D18/55
- D. 443,638 * 6/2001 Kobayashi et al. D18/54

* cited by examiner

Primary Examiner—Cathy Anne MacCormac

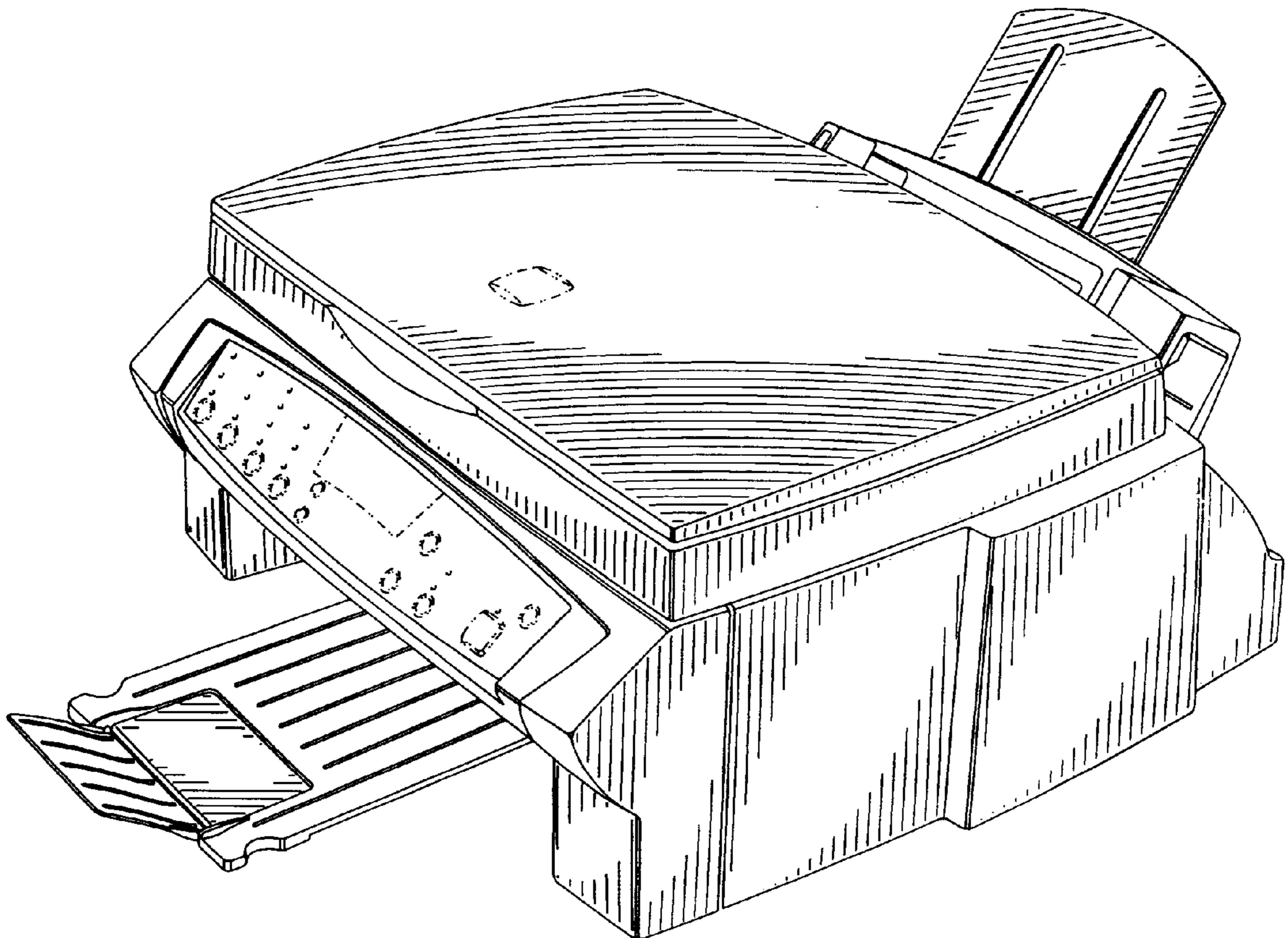
(57) **CLAIM**

The ornamental design for a desktop printer, as shown.

DESCRIPTION

FIG. 1 is an overhead perspective view of our design;
 FIG. 2 is a front view thereof;
 FIG. 3 is a right side view thereof;
 FIG. 4 is a rear view thereof;
 FIG. 5 is a left side view thereof; and,
 FIG. 6 is a top view thereof.
 The broken lines in FIGS. 1-6 are for purposes of illustration only and form no part of the claimed design.

1 Claim, 6 Drawing Sheets



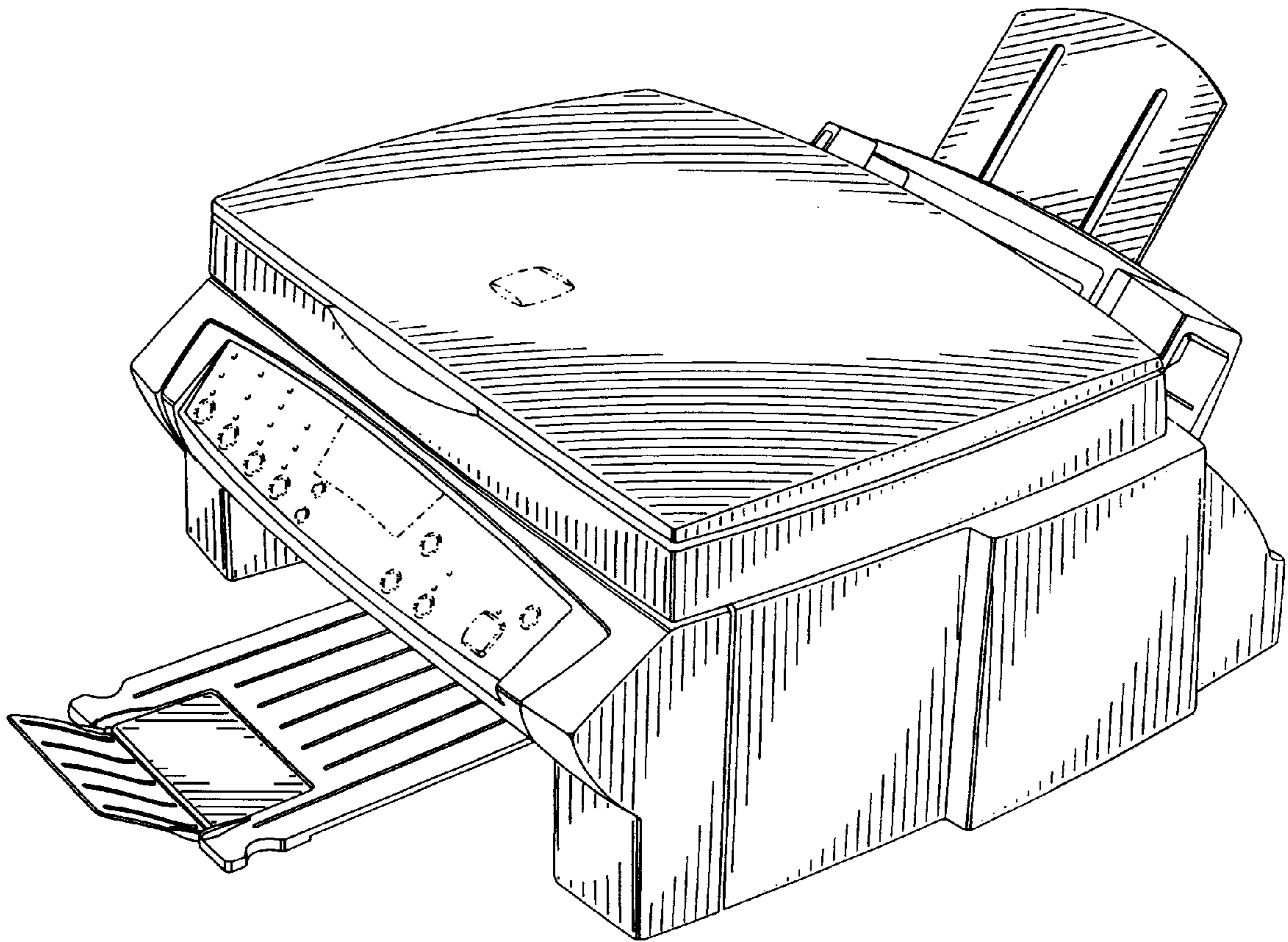


FIG. 1

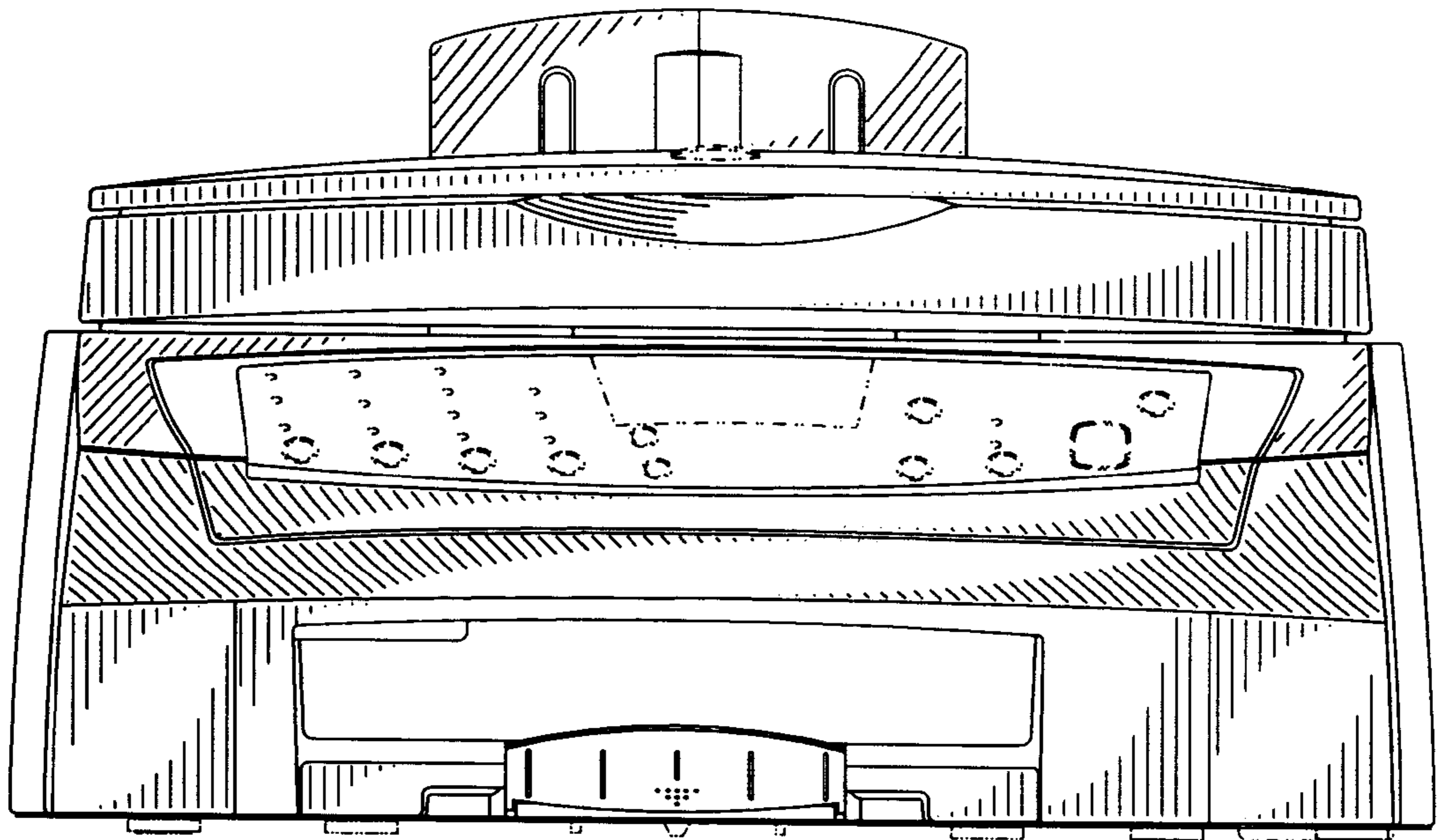


FIG. 2

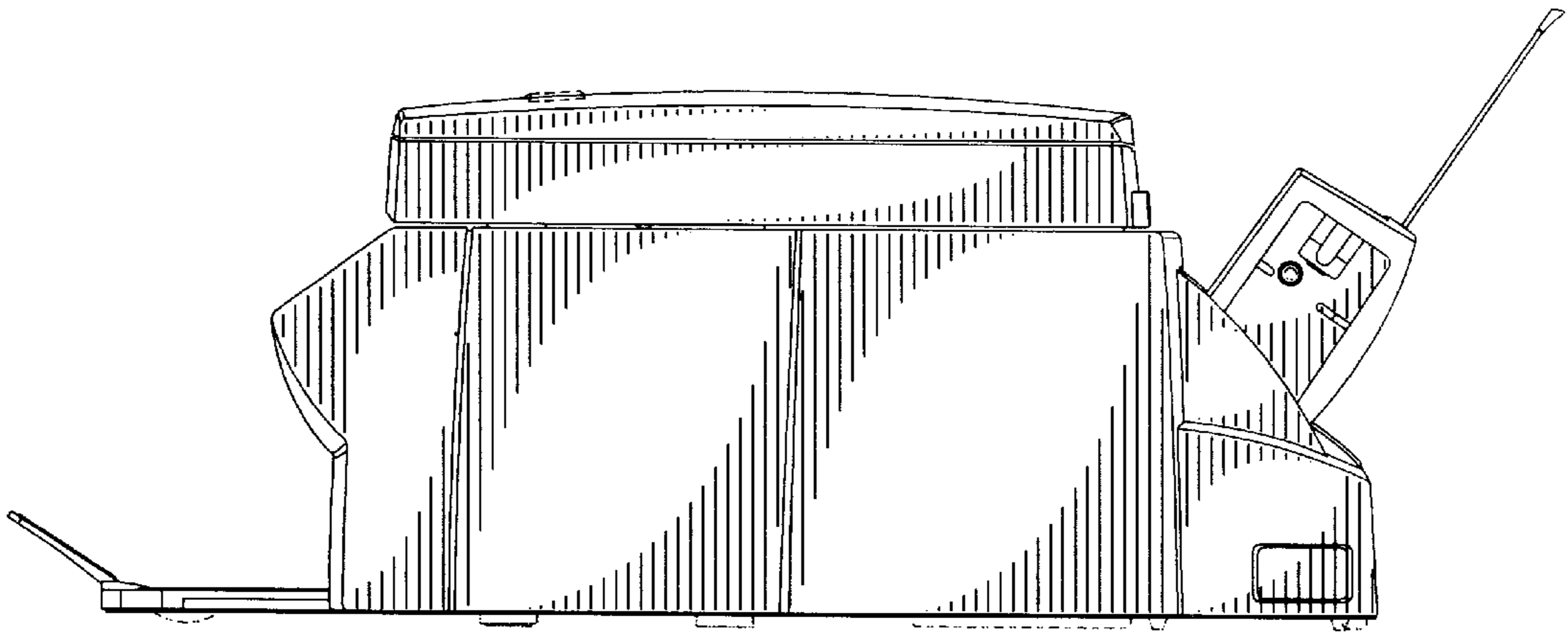


FIG. 3

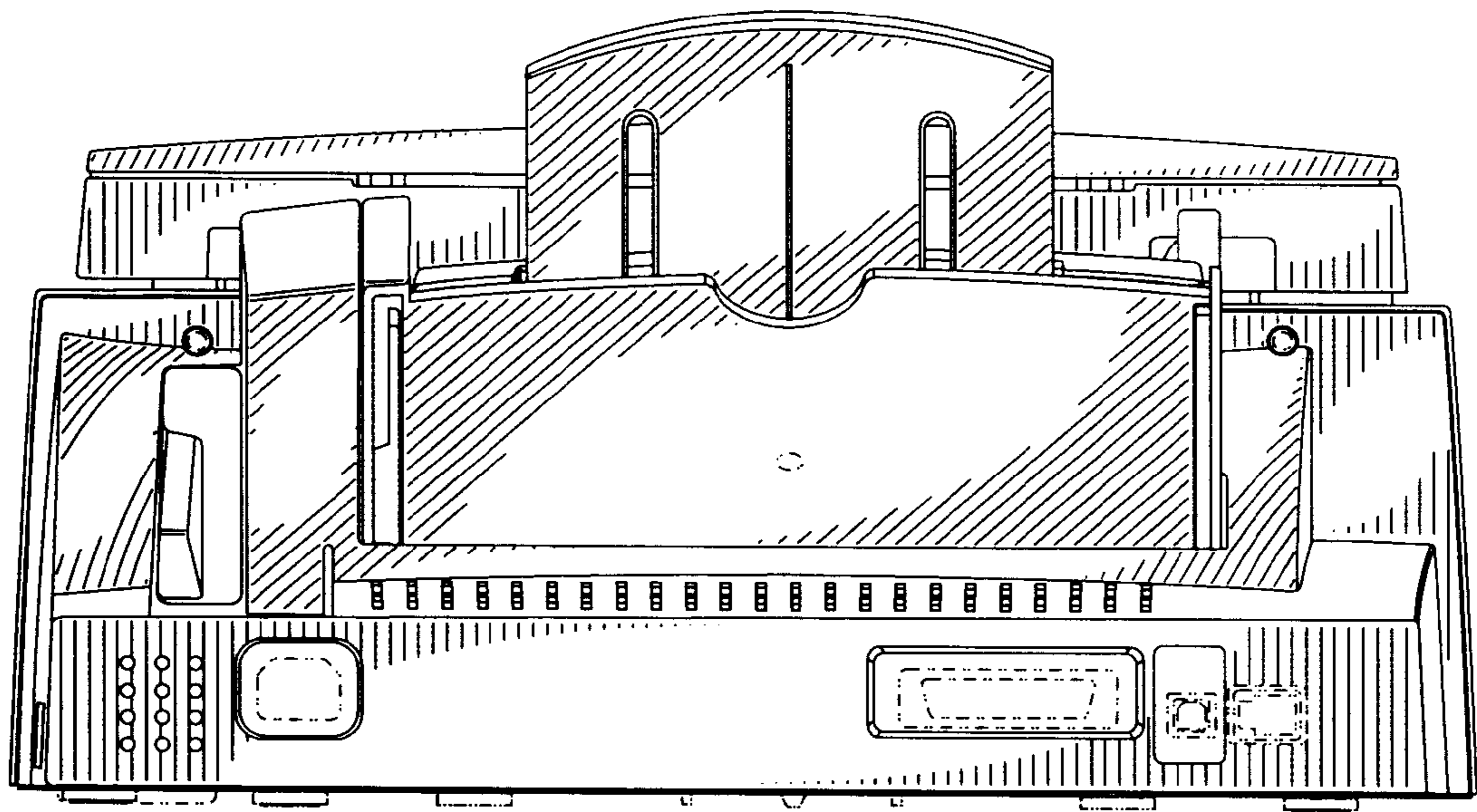


FIG. 4

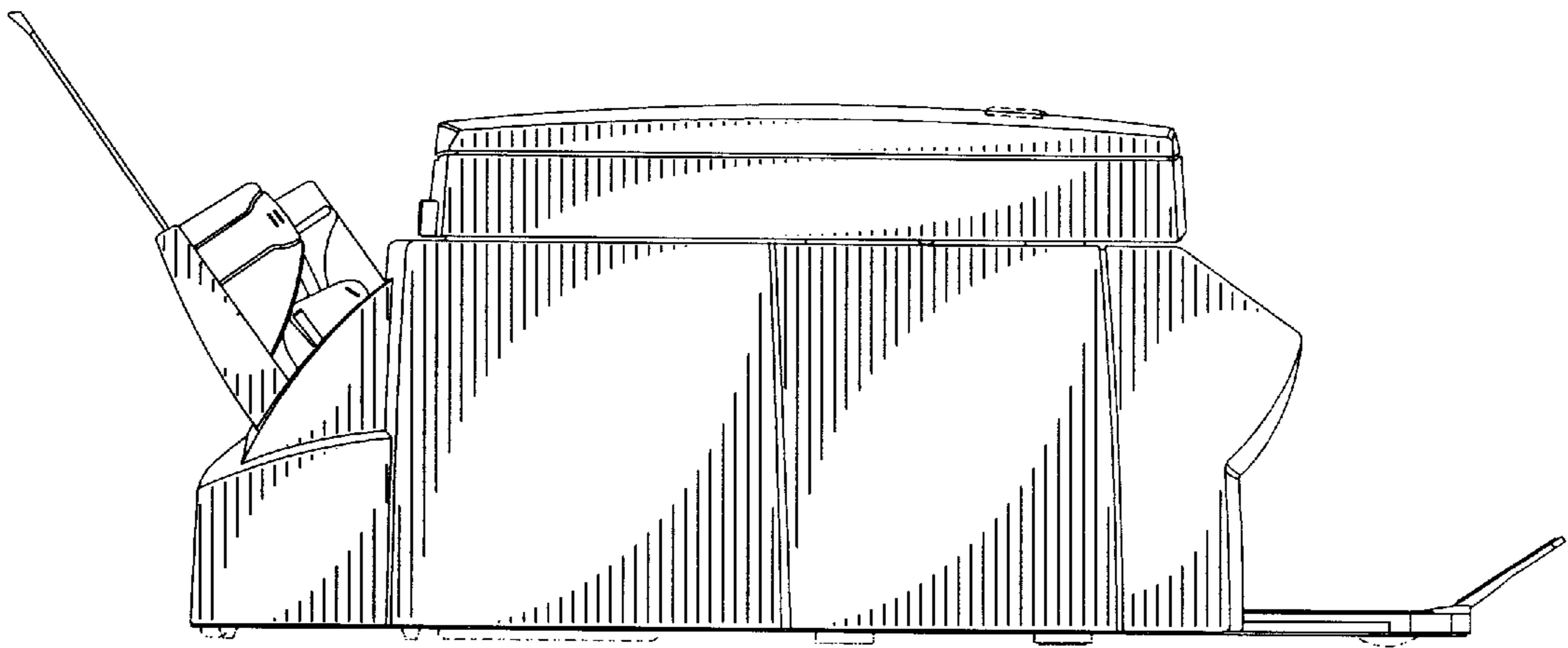


FIG. 5

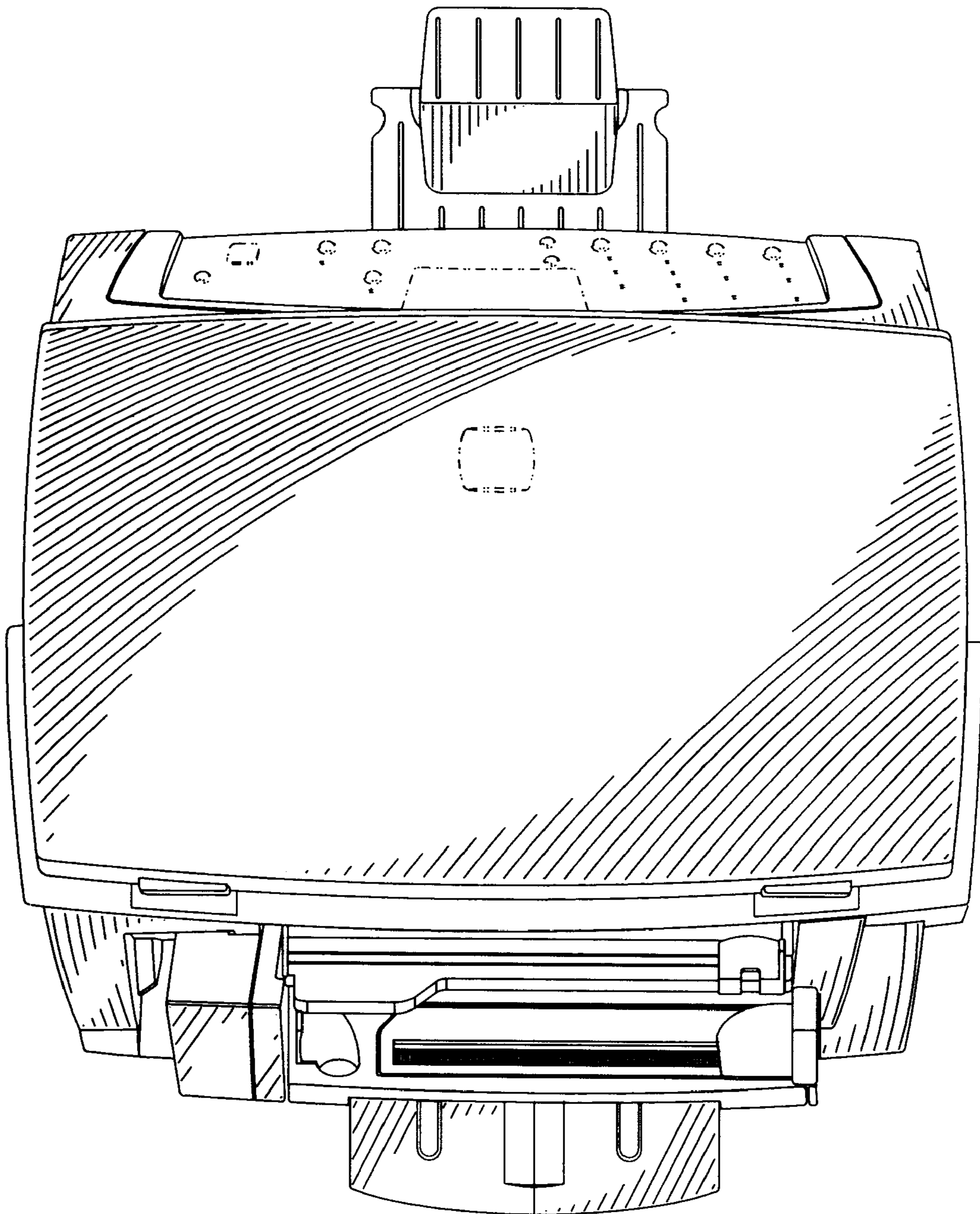


FIG. 6