



US00D448795B1

(12) **United States Design Patent**
Kusanagi et al.

(10) **Patent No.:** **US D448,795 S**

(45) **Date of Patent:** **** Oct. 2, 2001**

(54) **TONER SUPPLYING CARTRIDGE FOR PHOTOCOPIER**

(75) Inventors: **Takashi Kusanagi**, Akishima; **Fumio Tazawa**; **Tatsuya Goto**, both of Numazu, all of (JP)

(73) Assignee: **Canon Kabushiki Kaisha**, Tokyo (JP)

(**) Term: **14 Years**

(21) Appl. No.: **29/121,719**

(22) Filed: **Apr. 13, 2000**

(30) **Foreign Application Priority Data**

Oct. 20, 1999 (JP) 11-28741

(51) **LOC (7) Cl.** **16-03**

(52) **U.S. Cl.** **D18/43**

(58) **Field of Search** D18/36, 40, 43, D18/56; 366/24, 25, 27, 28, 61, 99, 106, 262

(56) **References Cited**

U.S. PATENT DOCUMENTS

D. 298,332 * 11/1988 Yoshiyama D18/43

D. 362,678 * 9/1995 Ishibashi et al. D18/43

D. 363,305 * 10/1995 Nishioka et al. D18/43

D. 381,677 * 7/1997 Makino D18/43

D. 422,302 4/2000 Ohashi et al. D18/43

* cited by examiner

Primary Examiner—Caron D. Veynar

(74) *Attorney, Agent, or Firm*—Fitzpatrick, Cella, Harper & Scinto

(57) **CLAIM**

The ornamental design for a toner supplying cartridge for photocopier, as shown and described.

DESCRIPTION

FIG. 1 is a front view of a toner supplying cartridge for photocopier showing our new design; FIG. 2 is a rear view thereof; FIG. 3 is a top plan view thereof; FIG. 4 is a bottom plan view thereof; FIG. 5 is a left side view thereof; FIG. 6 is a right side view thereof; and, FIG. 7 is a perspective view as viewed from right and front thereof.

1 Claim, 3 Drawing Sheets

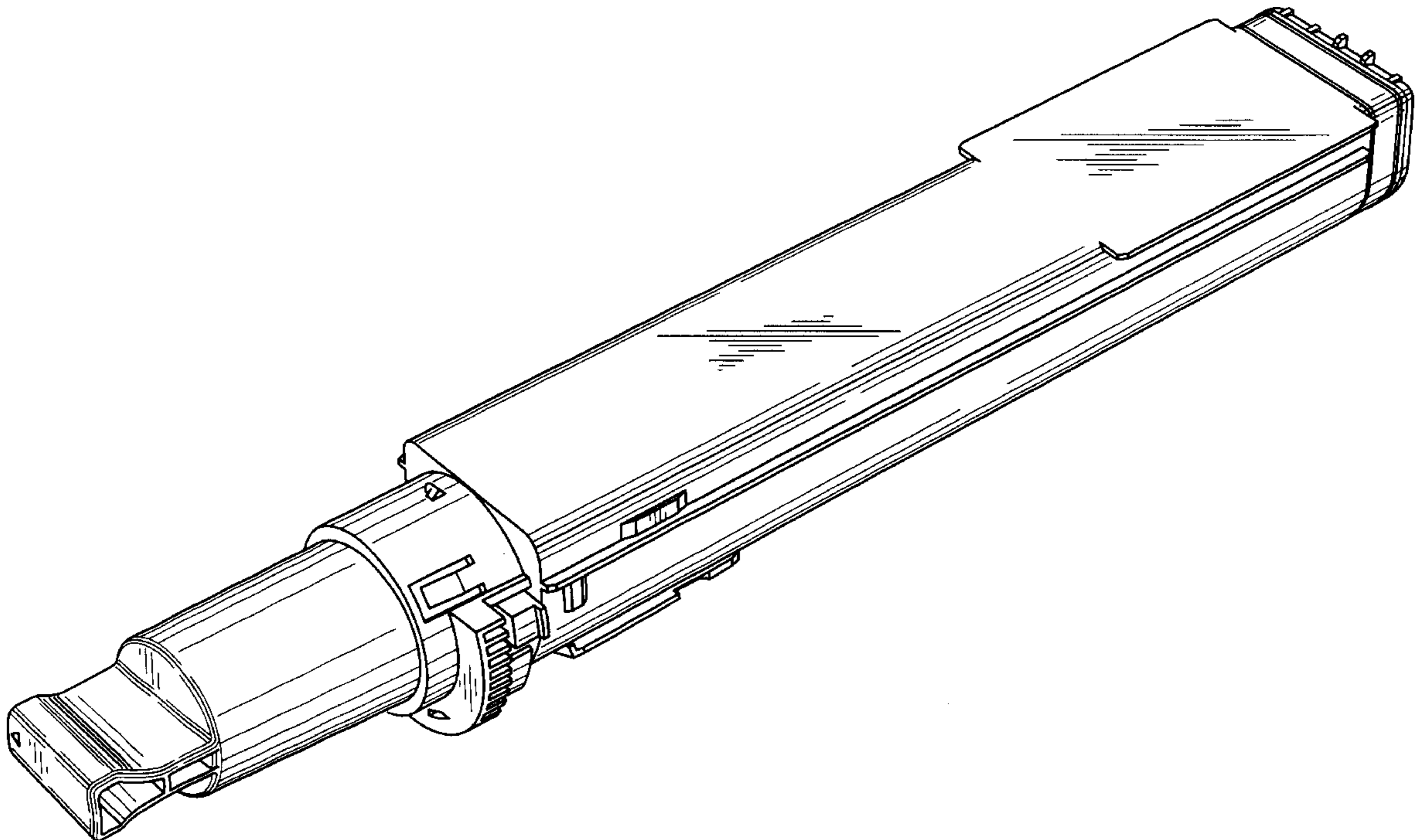


FIG. 1

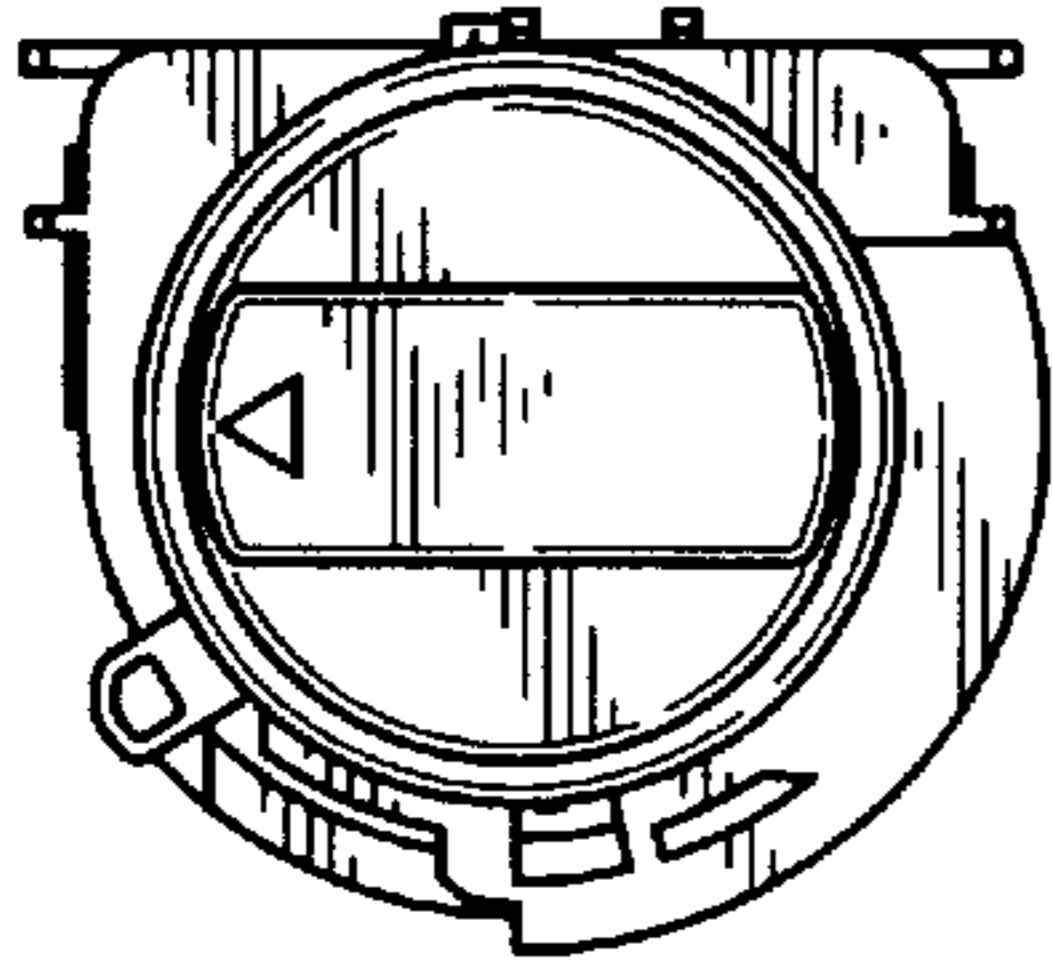


FIG. 2

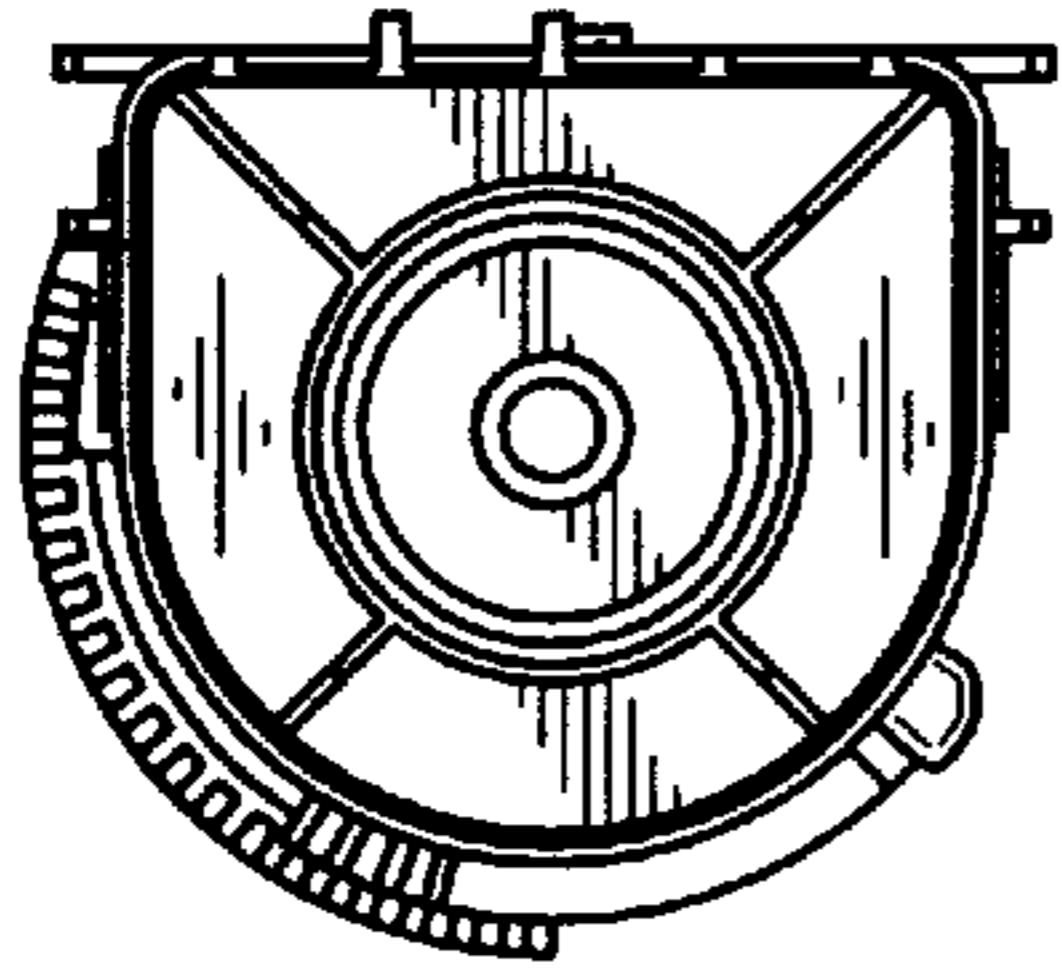


FIG. 3

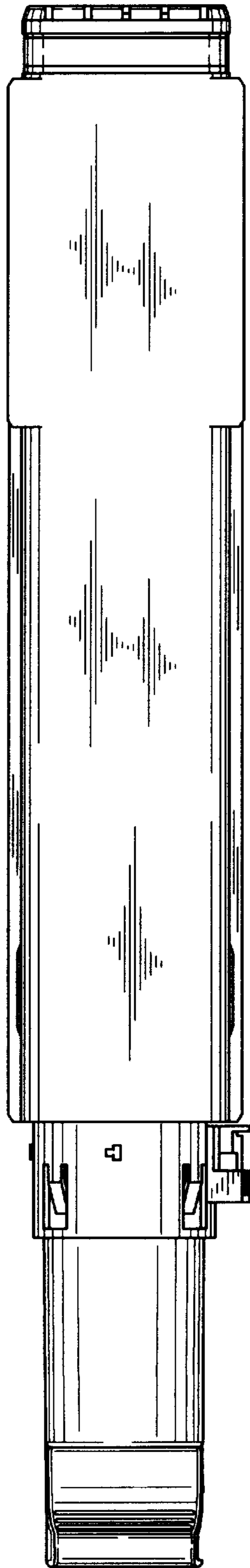


FIG. 4

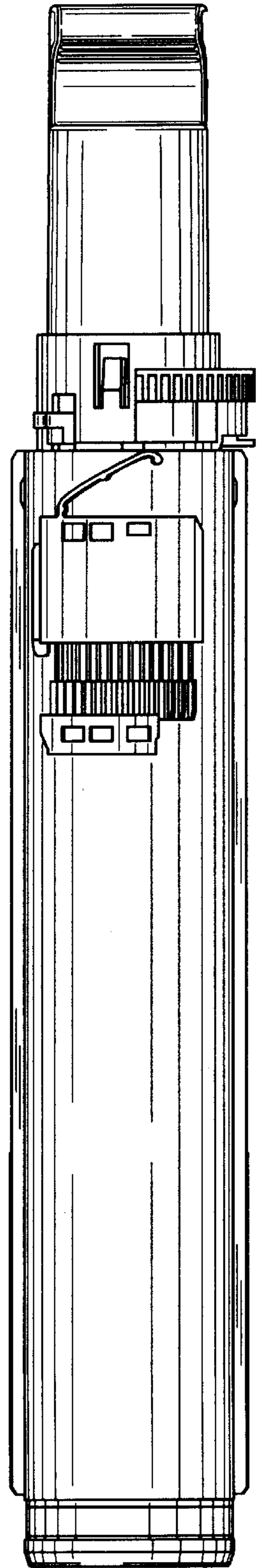


FIG. 5

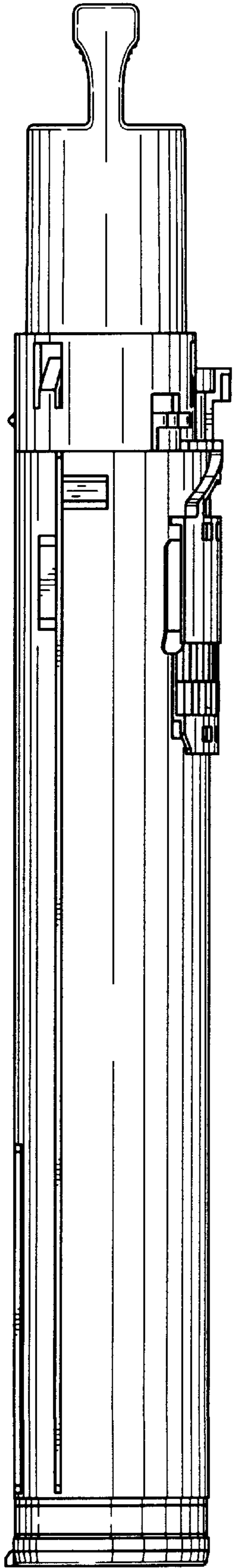
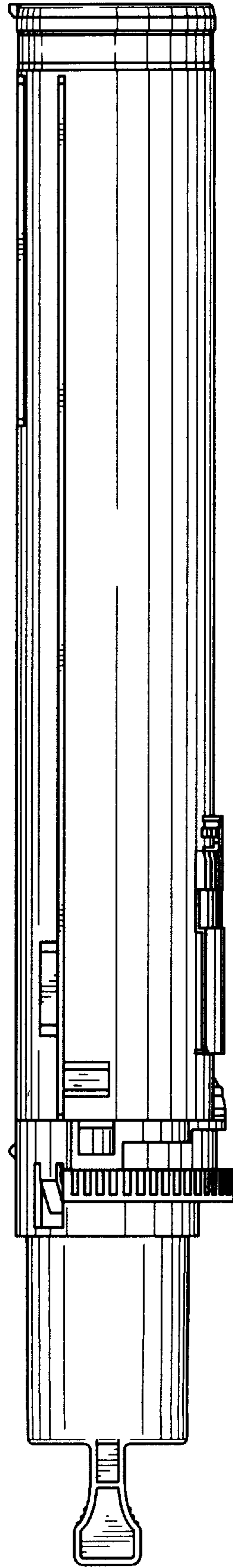


FIG. 6



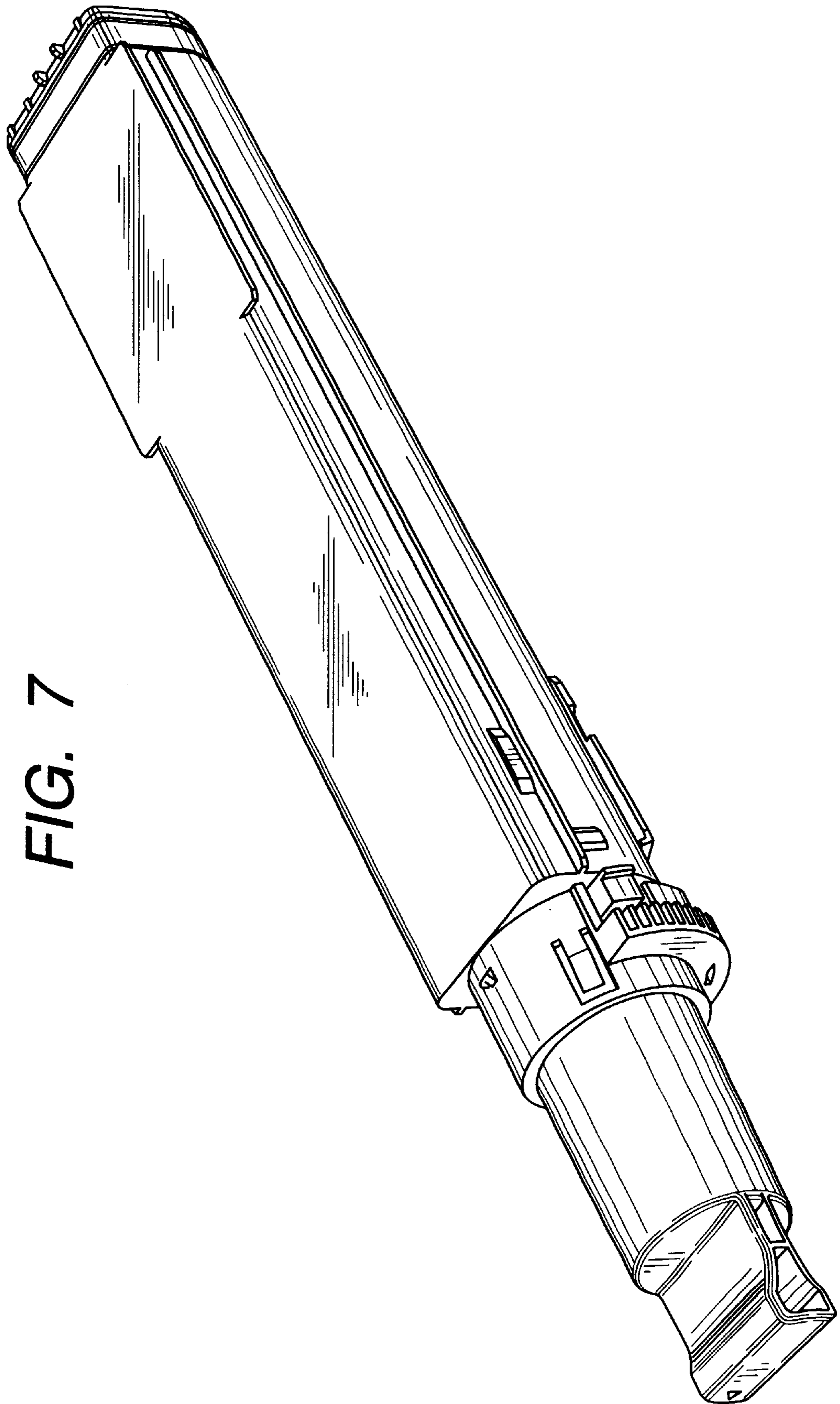


FIG. 7