



US00D448793B1

(12) **United States Design Patent**
Green

(10) **Patent No.:** **US D448,793 S**

(45) **Date of Patent:** **** Oct. 2, 2001**

(54) **DRUM STAND**

(76) **Inventor:** **Wade A. Green**, 1027 58th Ave., Capito
Hts, MD (US) 20743

(**) **Term:** **14 Years**

(21) **Appl. No.:** **29/118,984**

(22) **Filed:** **Feb. 22, 2000**

(51) **LOC (7) Cl.** **17-04**

(52) **U.S. Cl.** **D17/22**

(58) **Field of Search** D17/22, 99; D21/405;
84/327, 329, 421, 411 R; 248/176.1, 177.1

(56) **References Cited**

U.S. PATENT DOCUMENTS

D. 278,633 * 4/1985 DeBarbrie D17/22

D. 295,053 * 4/1988 Diaz D17/22
D. 327,901 * 7/1992 Chen D17/22
4,256,006 * 3/1981 Widener 84/411 R

* cited by examiner

Primary Examiner—Adir Aronovich

(74) *Attorney, Agent, or Firm*—Vickers, Daniels & Young

(57) **CLAIM**

The ornamental design for a drum stand, as shown and described.

DESCRIPTION

FIG. 1 is a top plan view showing my new design; and, FIG. 2 is a cross-sectional view taken along line 2—2 of FIG. 1.

1 Claim, 2 Drawing Sheets

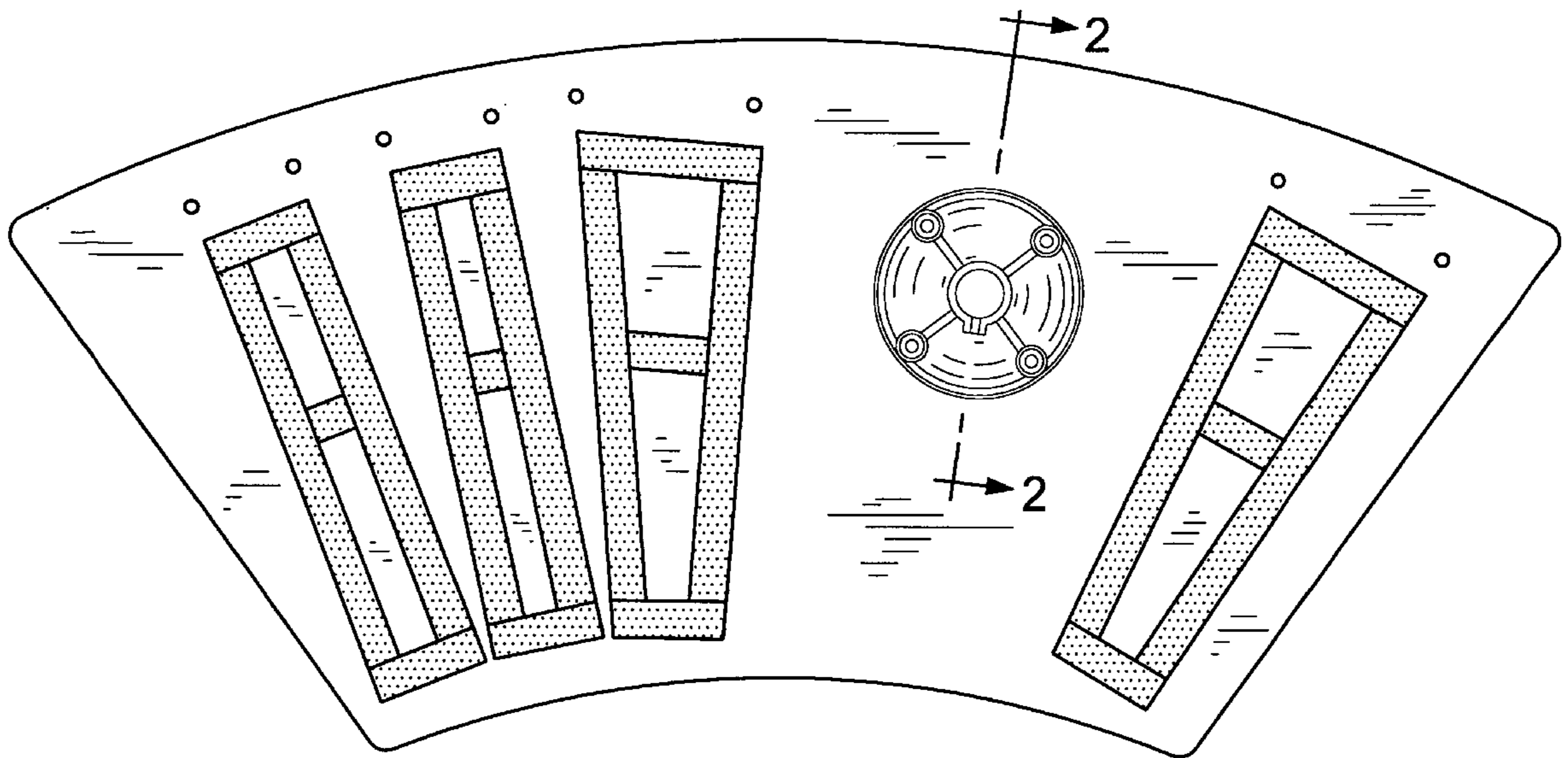


FIG. 1

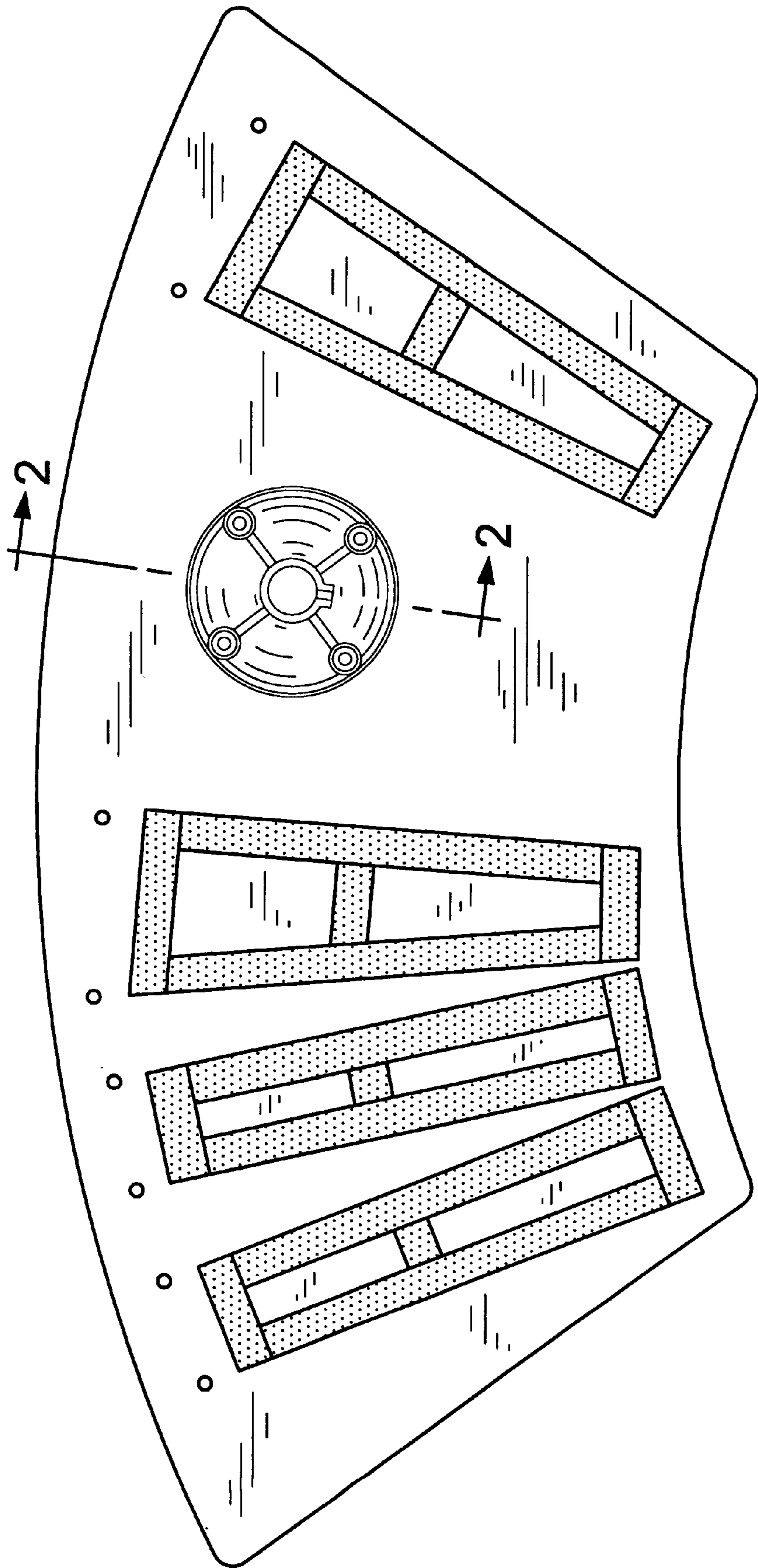


FIG. 2

